

BaseMat 400

BaseMats offer a low noise barrier for mud, dirt and soilage deposited by foot traffic. The entrance floor mats feature aluminum hinged framework with cushioned supports at the bottom of each segment. All BaseMats facilitate easy cleanup – simply roll mat up and clean underneath. BaseMats are available with frames and spacers for recessed applications, and ramps for surface applications.

1 Select Size



All mats are custom made per specification. Measurements down to 1/16" accuracy.



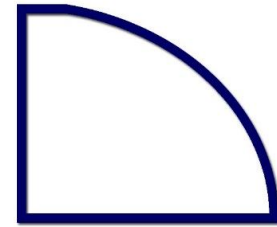
Regular Shape

Shapes with 90 Degree Corners



Irregular Shape

Shapes with Notches or Irregular Cuts



Irregular Shape Template

Irregular Shapes Requiring a Template

2 Select Aluminum Finish



Mill Finish
(Natural Finish)



Clear



Light Bronze



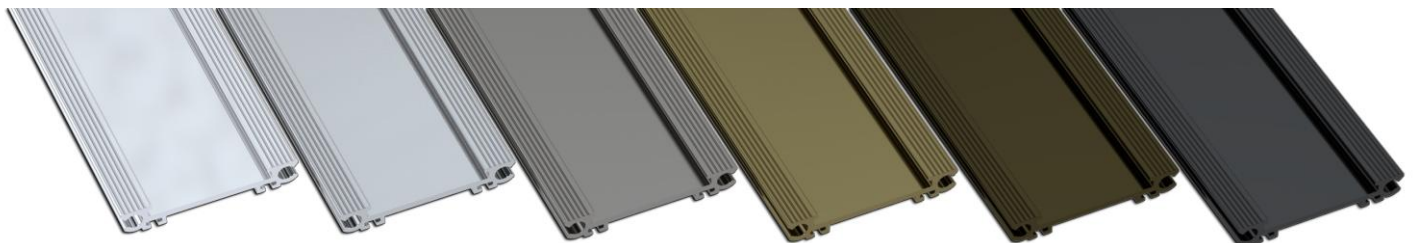
Medium Bronze



Dark Bronze



Black



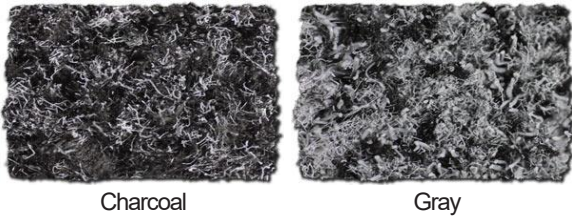
Choose from standard Mill Finish (Natural Aluminum) or Clear, Light Bronze, Medium Bronze, Dark Bronze or Black Anodized.

3 Select Insert Type and Color

Heavy Duty Carpet Inserts



Exterior Brush Inserts



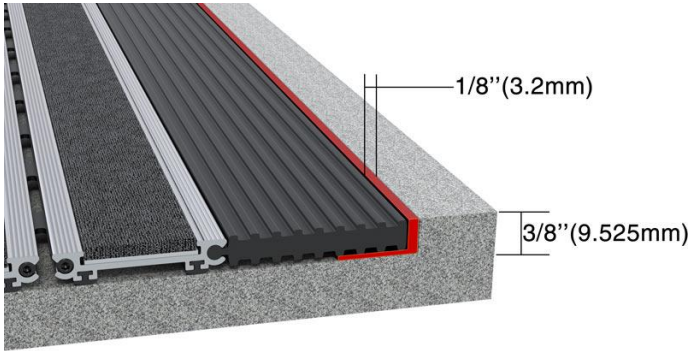
Rubber Inserts



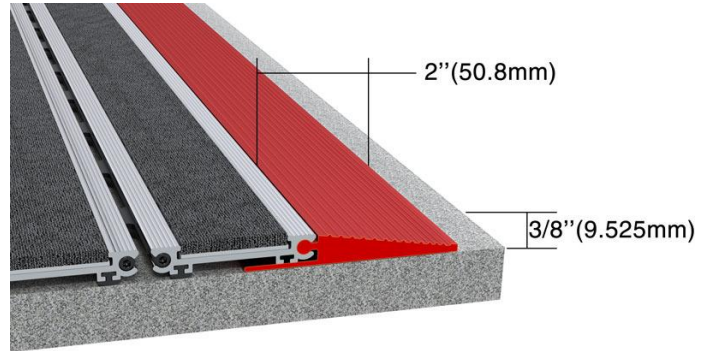
Serrated Aluminum



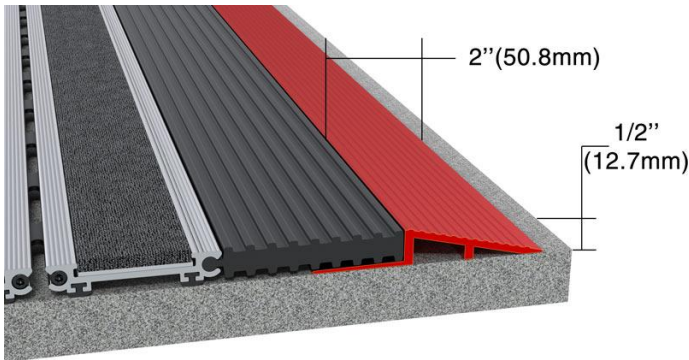
4 Select BaseMat 400 Frame



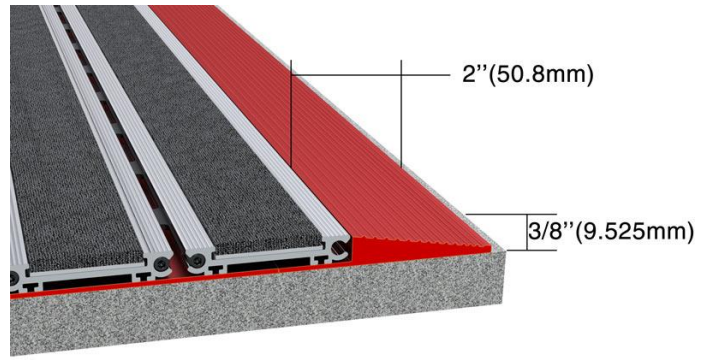
L-3 Recessed Frame (L-3)



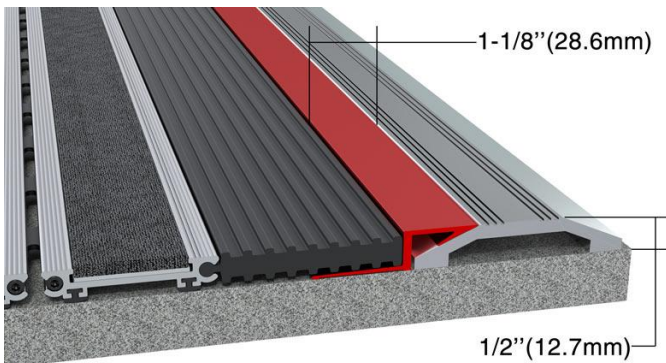
Surface Mounted B-1 Vinyl Frame (B-1)



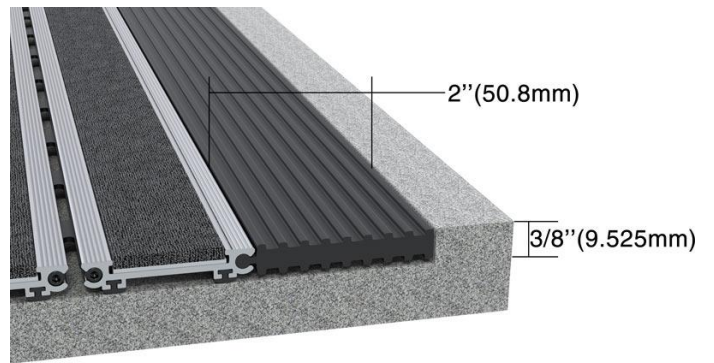
Surface Mounted B2 Aluminum Frame (B-2)



Surface Mounted BaseTray Vinyl Frame w/ Recycled Rubber Base (BT)



Saddle Threshold Transition Frame (STT)



No Frame (NF)