



BaseGrid 700

Rugged, durable, and stable, BaseGrids have sound footing while helping to keep buildings clean. They reduce tracking of water, dirt, mud and other soilage in your building- reducing maintenance time and expenses. Ideal for heavy foot traffic areas, BaseGrids feature aluminum I-Beam construction with a gridlock bar that keeps beams in place. Cushions at the base of the I-Beam to reduce traffic noise and provide a firm yet resilient footing.

1 Select Size



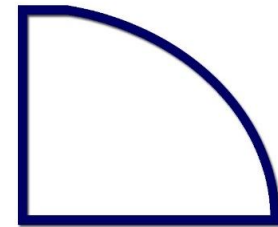
All mats are custom made per specification. Measurements down to 1/16" accuracy.



Regular Shape
Shapes with 90 Degree Corners



Irregular Shape
Shapes with Notches or Irregular Cuts



Irregular Shape Template
Irregular Shapes Requiring a Template

2 Select Aluminum Finish



Mill Finish
(Natural Finish)



Clear



Light Bronze



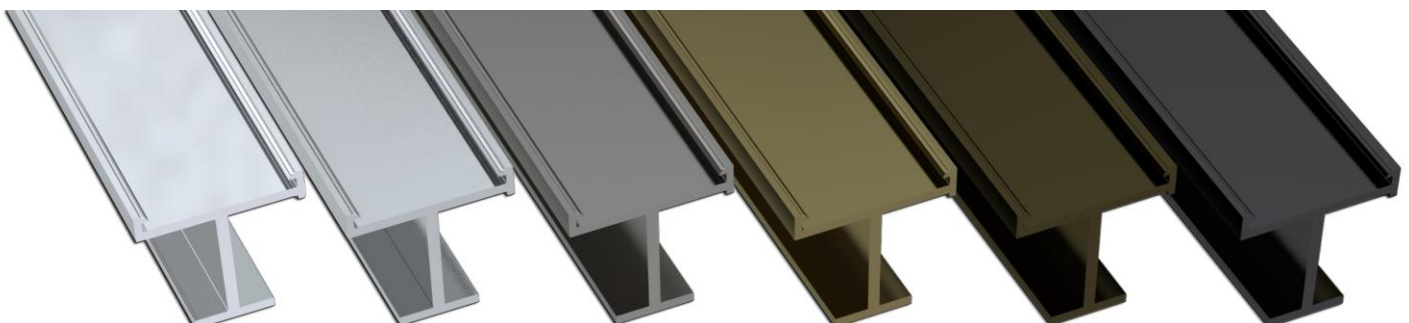
Medium Bronze



Dark Bronze



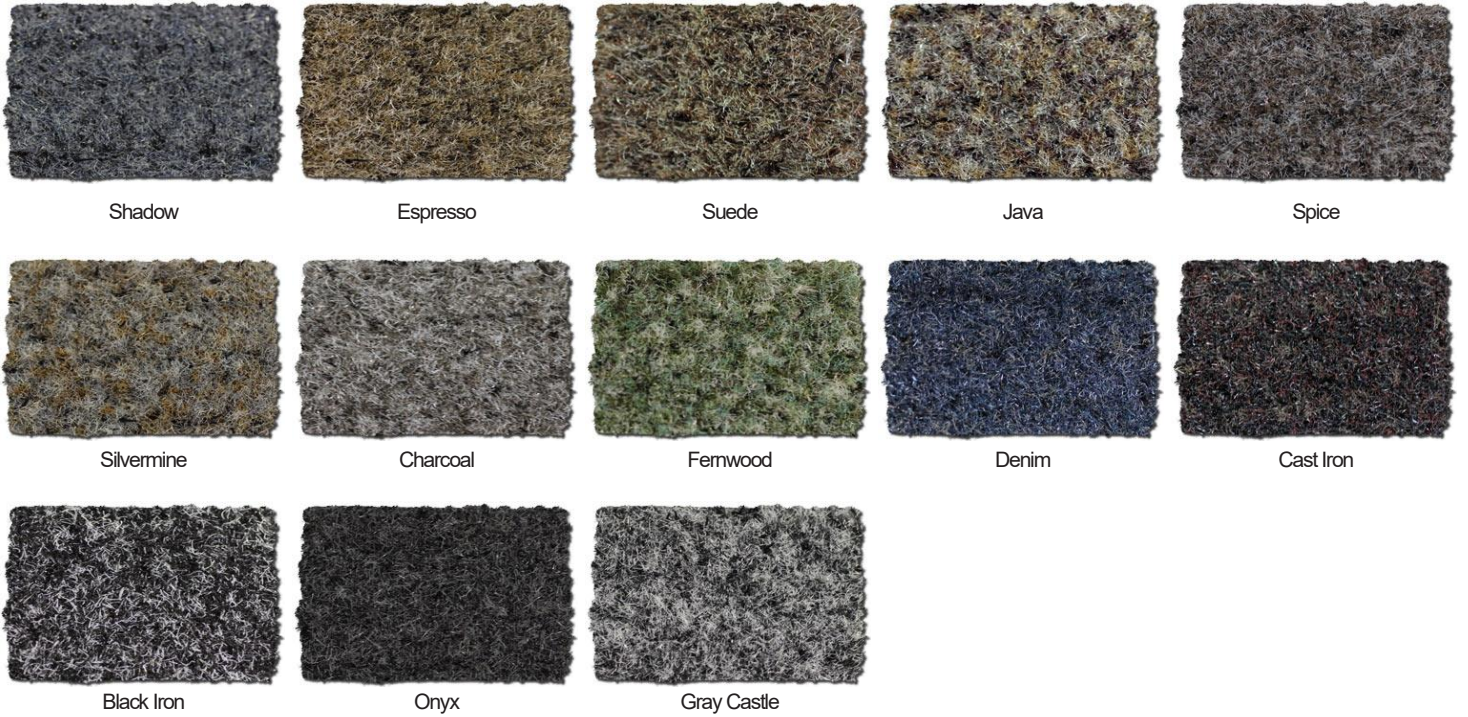
Black



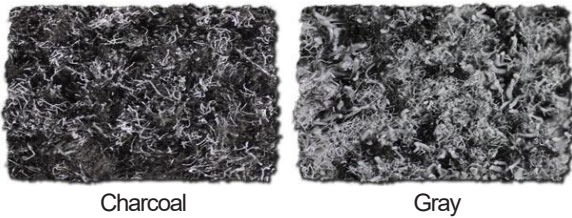
Choose from standard Mill Finish (Natural Aluminum) or Clear, Light Bronze, Medium Bronze, Dark Bronze or Black Anodized.

3 Select Insert Type and Color

Heavy Duty Carpet Inserts



Exterior Brush Inserts



Rubber Inserts

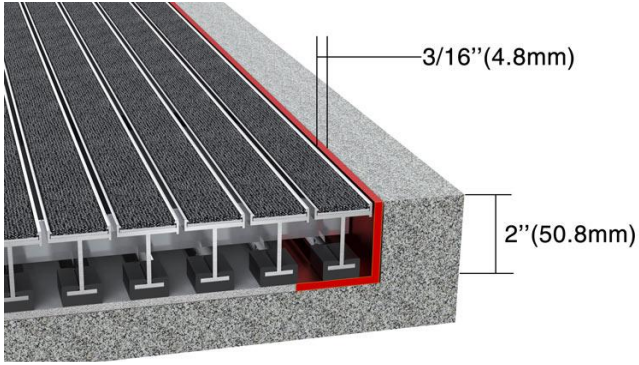


Serrated Aluminum

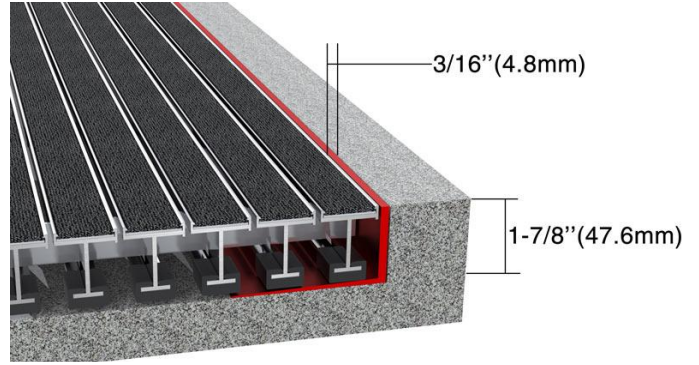


*Serrated Aluminum
*BaseGrid 700 SA Only

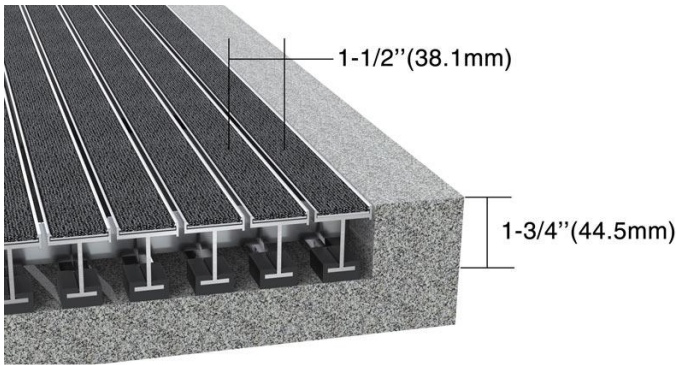
4 Select BaseGrid 700 Frame



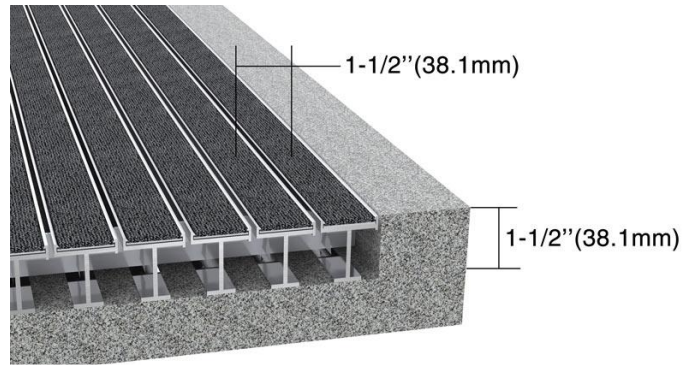
L-7 Recessed Frame (L7)



L7T Recessed Aluminum Frame (L7T)



No Frame (NF)



No Frame and No Vinyl Cushions (NFNVC)