

BaseTread 500

BaseTread 500 features a 3/4" depth that supports heavy foot traffic and cart traffic and provides a barrier against mud, dirt, and debris. The robust aluminum framework assures dimensional stability and longevity while the vinyl hinge allows the mat to be rolled up and moved for easy under-mat cleaning. A solid 1/8" thick vinyl "T" profile footer runs the full width and length of each section and provides a low-impact cushion for all traffic.

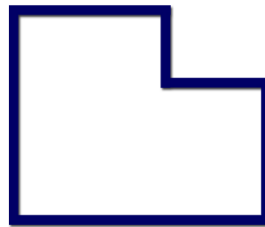
1 Select Size



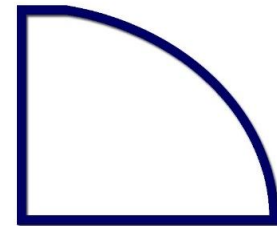
All mats are custom made per specification. Measurements down to 1/16" accuracy.



Regular Shape
Shapes with 90 Degree Corners



Irregular Shape
Shapes with Notches or Irregular Cuts



Irregular Shape Template
Irregular Shapes Requiring a Template

2 Select Aluminum Finish



Mill Finish
(Natural Finish)



Clear



Light Bronze



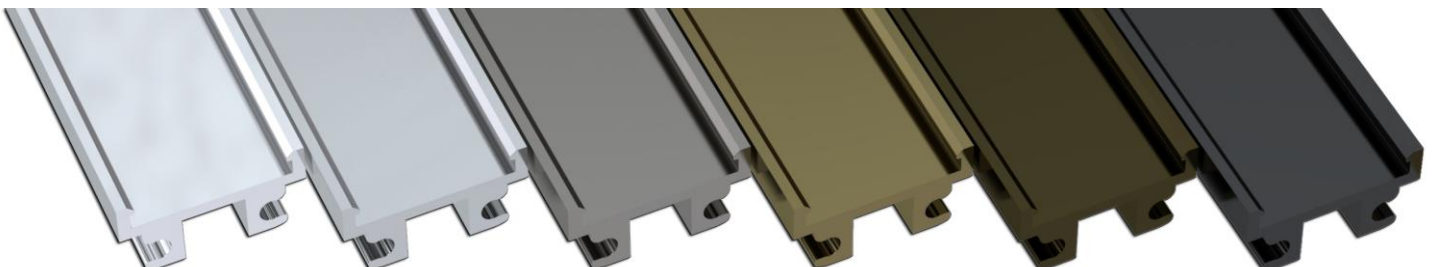
Medium Bronze



Dark Bronze



Black



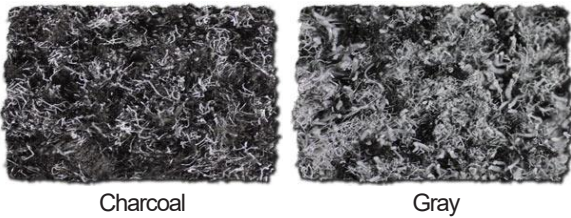
Choose from standard Mill Finish (Natural Aluminum) or Clear, Light Bronze, Medium Bronze, Dark Bronze or Black Anodized.

3 Select Insert Type and Color

Heavy Duty Carpet Inserts



Exterior Brush Inserts



Rubber Inserts

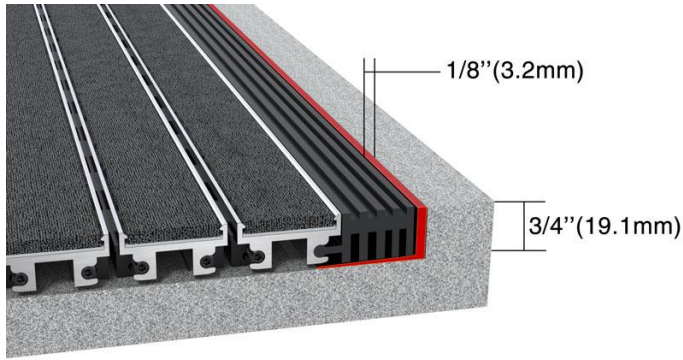


Serrated Aluminum

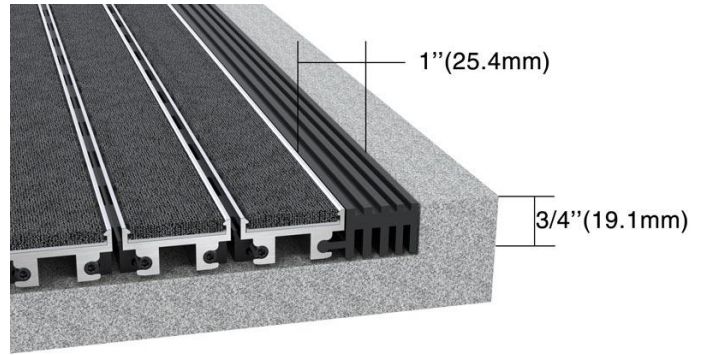


*Serrated Aluminum
*BaseTread 500 SA Only

4 Select BaseTread 500 Frame



L5 Recessed Aluminum Frame (L5)



No Frame (NF)