

ARCH DOWNLIGHT series

4" Recessed trim adjustable round downlight LED

Type

Project

Date Comments

PRODUCT DESCRIPTION

Anodizing Technology Aluminum body with the best heat dissipation and COB LED make sure the lifetime for Light.

Different beam angle of Lens make the uniform lighting effect, adjustable.



FEATURES:

- Recessed adjustable downlight.
- high purity specular aluminum reflector.
- Indoor use.
- Concave Semi frosted lens to ensure uniformity and smooth light effect.
- Deep light source for visual comfort assurance.

CONSTRUCTION:

Housing:

Die-cast aluminum

Trim:

White, Black or grey powder coated Die-cast aluminum

Finish:

White, Black or grey

Optic:

High purity specular aluminum reflector

Diffuser

Clear Diffuser, Frosted diffuser available upon request

Operating temperature:

-10°C to 50°C (-14°F to 122°F)

Location:

Dry Location / Indoor

ELECTRICAL:

Power:

13W

Input voltage:

120 - 277V AC 50/60 Hz

PoE input voltage compatible available on request

Light source:

CREE COB

System Luminous Flux at 4000K:

Total Lumen Range: 1,425 lm

Power Range: 13W

Efficacy:

110 lm/W @ 13W

CRI:

>83

90 available on request.

WARRANTY :

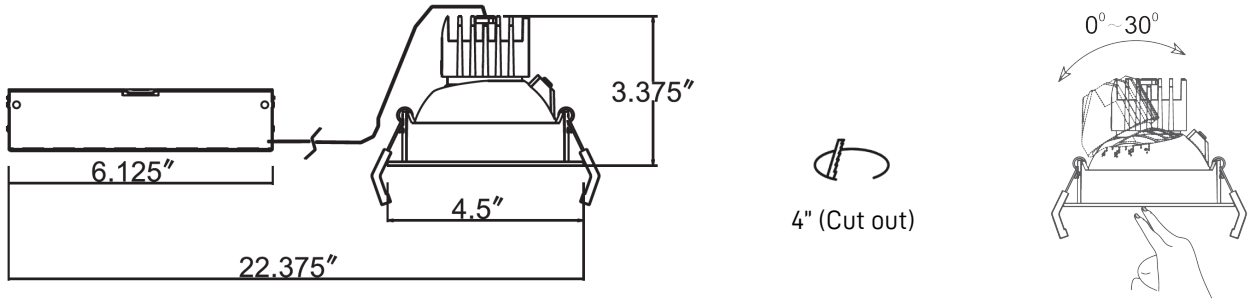
3 years limited warranty , please refer to factory terms and condition for warranty validity.



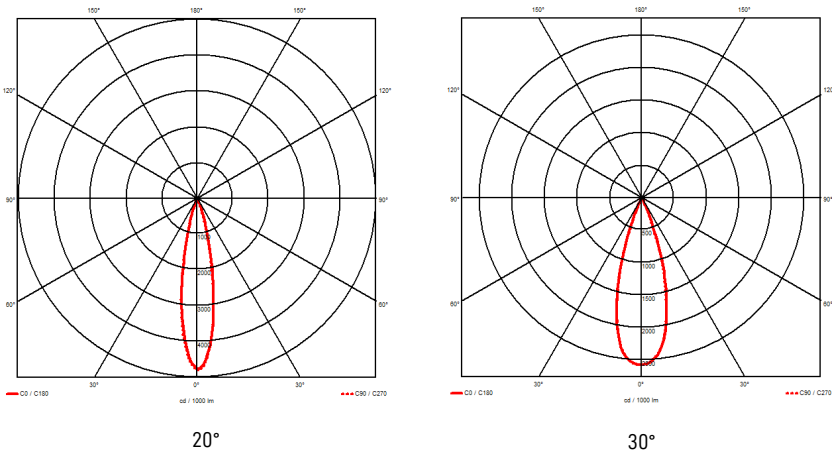
ARCH DOWNLIGHT series

4" Recessed trim adjustable round downlight LED

DIMENSIONS:



PHOTOMETRICS:



ACCESSORIES:



REMOTE METAL POWER SUPPLY HOUSING (INCLUDED)

Due to regular improvements, the information may be altered without prior notice.



ARCH DOWNLIGHT series

4" Recessed trim adjustable round downlight LED

ORDERING INFORMATION:

Ordering Example: LGL-LBE9106AU-13-UNV-27-WH-SP-CG-E-DR-8-RC

Specify fixture part number. (All boxes must be filled in to correctly order)

LGL-LBE9106AU											
---------------	--	--	--	--	--	--	--	--	--	--	--

Series	Power		Lumen	Voltage		CCT ①		Trim Finish	
LGL-LBE9106AU	13	13W	1,425	UNV EU LV3	120-277V 220V PoE	27 30 40 50	2700°K 3000°K 4000°K 5000°K	WH BK SV	White Black Silver

Beam Angle		Diffuser		Power Supply		IP		CRI	Installation		Accessories	
SP M	20° 30°	CG FR	Clear Frosted	E AG TR DA PoE	Electronic 0-10V Triac Dim DALI Power Over Ethernet	DR	IP20	8 = 83 9 = 90	RC	Recessed	EM	Emergency Back up

- ① The CCT is measured with an accuracy of ± 100K
- ② Customized specification is available



Due to regular improvements, the information may be altered without prior notice.

