



**PIPES
FITTINGS
FLANGES
PIPING COMPONENTS**

20-2-2026





KEY FACTS

- Founded in 1992, HQ in the Netherlands
- Delivery Program: Pipes, Fittings, Flanges, Valves and Piping Components
- Stock facilities in the Netherlands, Dubai and Oman
- 100 FTE
- Various global supply Frame Agreements with end users
- 100% ownership to the Galperti Group
- ISO 9001, ISO 14001, ISO 45001



OUR OFFICES

- The Netherlands - Port of Moerdijk (stock material warehouse)
- Germany - Krefeld
- Belgium - Antwerp
- Poland - Modlnica
- UAE - Dubai (stock material warehouse)
- Oman - Muscat (stock material warehouse)
- Kazakhstan - Almaty
- China - Shanghai (procurement services, inspection, mill audits)

SCOPE OF SUPPLY

RANGE OF PRODUCTS

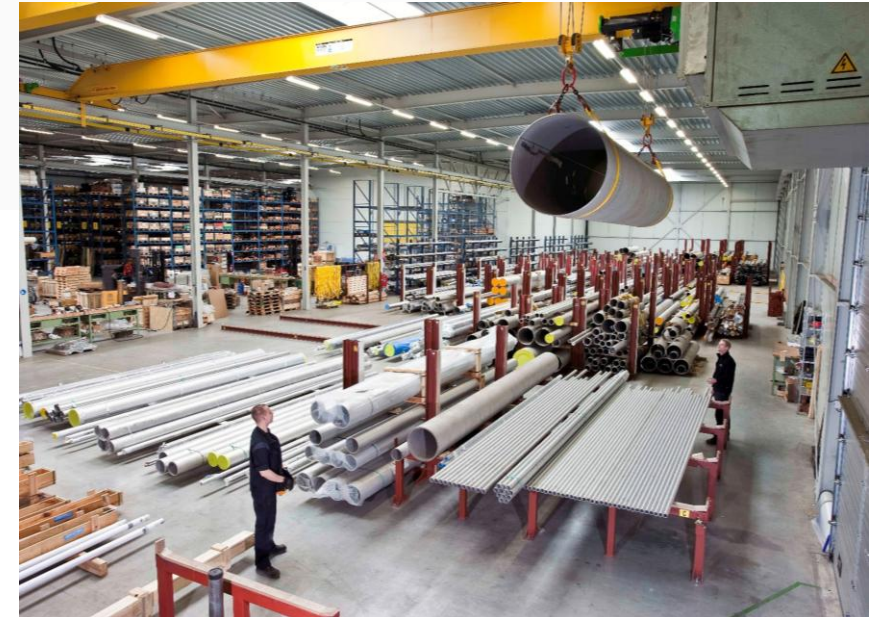
- **Seamless and Welded Pipes**
- **All type of Flanges**
- **Seamless and Welded BW Fittings**
- **Forged Fittings and Olets**
- **Spectacle Blinds, Spades and Spacers**
- **Studbolts & Nuts ,Gaskets**
- **Line Pipe Materials**
Line pipe, Isolation Joints, Barred Tees, Split Tees, Hot Induction Bends, Strainers
- **Special Components**
Tubing, Finned Pipes, Tube Sheets, Venturi tubes,
- **External & Internal Coating**
3LPE, 3LPP, CWC, FBE, TSA
- **Spooling**



SCOPE OF SUPPLY

MATERIAL GRADES

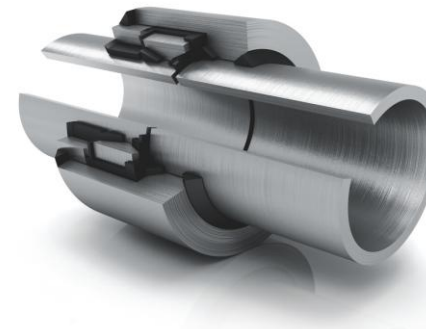
- **(Low Temperature) Carbon Steel**
SA106 Grade B, A333 Grade 6, SA671/SA672 CC60 / CC70, API5L X42 – X70, SA234 WPB, A420 WPL6, SA105, A350 LF2
- **Alloy Steel**
P5, P9, P11, P22, P91, WP5, WP9, WP22, WP91, F5, F11, F22, F91
- **Stainless Steel**
316(L), 316Ti, 304(L), 304H, 321, 321H, TP347, 347H, 317, 904, 6Mo
- **(Super) Duplex Steel**
UNS S31803/32205, UNS S32750, UNS S32760
- **Nickel Alloys**
Incoloy® 825, Incoloy® 20, Inconel® 625, Inconel® 718, Alloy 800 H/HT), Hastelloy® C22, Hastelloy® C276, Monel ® 400, Nickel 200
- **Titanium**
Gr.1, Gr.2
- **Clad Materials**



SCOPE OF SUPPLY

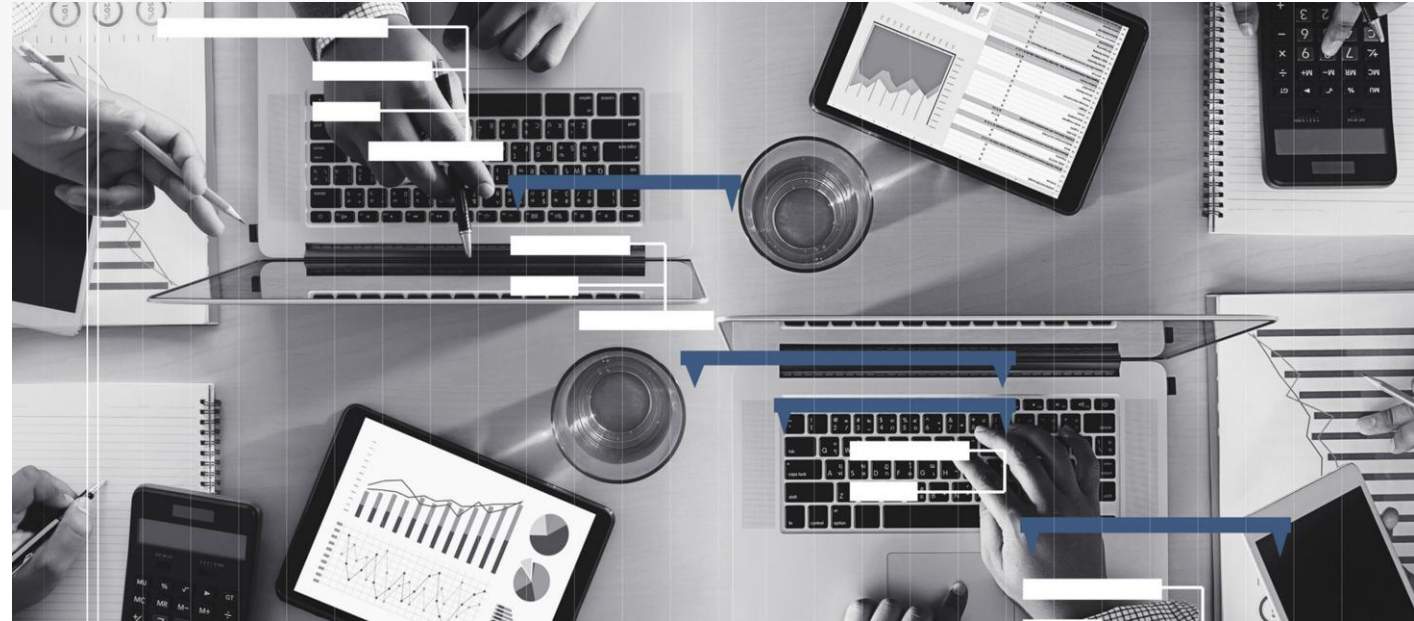
GALPERTI® PRODUCTS

- **G-Lok® Clamp Connectors**
Easier to assemble than conventional flange connections, especially for high-pressure applications
- **GC-Compact® Flanges**
These lightweight flanges offer versatility, compactness, weight saving and cost effectiveness in connecting piping systems
- **G-Blok®**
The Galperti Engineering G-Blok® range of standard and special valves includes Double Block and Bleed (DBB) valves, API valves and slimline compact monoflanges
- **Special Forged Products**
Such as: Forged Pipes, Y-Tees, Buckle Arrestors, Bulkheads, Nozzles, Injection Spools, Connecting Pieces and more
- **G-Joint®**
Monolithic Isolation Joints are used in pipelines to electrically isolate the pipe for corrosion protection by means of cathodic protection



PROJECT MANAGEMENT

- **General Management**
Turn-Around Management, MRO/Framework agreements, EPC project management
- **Centralized Project Management**
Dedicated Project Team per each project
- **Project Document & Expediting Management**
VDR documentation, progress reporting, KPI reporting, Inspection coordination, Databook submittal
- **QA/QC Supervision**
Level III QA/QC lead, Level II NACE Coating Inspector, regional QC Engineers, Document Controllers, Certificate Controllers.
- **Logistic Solutions**
Internal & external warehousing, call off stocks, consignment stocks, inventory management, freight forwarding
- **In-house Project Services (warehouse)**
Inspections, PMI, LPE, MPE, special packing, additional marking, color coding and more
- **Valve Automation Center**
Location Dubai



FRAME AGREEMENT SERVICES

- **Europe**

Shell Enterprise Framework Agreement EMEA
Tenaz Energy Netherlands Framework Agreement
Rockrose Energy Limited Supply Contract
Neste Global Frame Agreement
Exxon Europe Multi-Country Master Goods & Service Agreement
Shell Deutschland Oil GmbH

- **Middle East**

Shell QSGTL –QP (Qatar Petroleum) Framework Agreement
Basra Gas Company Framework Agreement
Petroleum Development Oman Supply Contract
Orpic (OQ) Oman Framework Agreement



ESG



ENVIRONMENT

- Shaping the energy transition together with our main clients
- Energy consumption 100% from renewable energy sources
- Fully electric company truck for zero-emission material deliveries
- Eco-friendly packaging in our warehouses



SOCIAL

- UNICEF Business Buddie, supporting the “Plastic Bricks” project in Ivory Coast
- Commitment to respecting human rights as an integral part of our management systems and our global business operations



GOVERNANCE

- Proactive cybersecurity measures to protect the company, our customers and our suppliers from the growing threats to IT systems and data
- Quality assurance procedures to maintain and improve product quality and a safe working environment

PROJECT REFERENCES

Client (EPC)	End user	Project	PFF scope	Country	Year
Wood PLC	Basra Energy	West Qurna ST368	Carbon Steel Pipes and Fittings	Iraq	2024
Technip Energies	Qatar Energy	North Field East (NFE)	Nickel Alloy Pipes, Fittings and Flanges	Qatar	2022- 2024
Fluor	Shell	LNG Canada Development	Carbon Steel and Stainless Steel Piping Material	Canada	2022-2024
Angola LNG (Bechtel)A	Angola LNG / Chevron	Angola LNG / Chevron	Pipes, Barred Tees, Induction Bends and Flanges	Angola	2022-2023
HEC / Tecnicas Reunidas JV	PKN Orlen	PKN Orlen Olefins Expansion	Carbon Seamless and Welded (externally coated) Pipes	Poland	2021-2023
Sonatrach	Sonatrach	Corso Wilaya Boumerdes	Carbon Steel and Stainless Steel Pipes and Fittings	Algeria	2022
Shell	Shell	RedIIGreen	Pipes, Fittings, Flanges and Valves	The Netherlands	2021-2022
Kinetics Technology (KT)	LOTOS Oil	PKN Orlen Olefins Expansion	Carbon Steel (Coated) Pipes	Poland	2021-2022
PDO	PDO	Al Burj Retification & Anzuaz Project	Carbon Steel (Galvanized) Pipes	Oman	2022
Desicon	NLNG	T7 EBM project, T5 scope	Stainless Steel and SuperDuplex Pipes, Fittings and Flanges	Nigeria	2021

PROJECT REFERENCES

Client (EPC)	End user	Project	PFF scope	Country	Year
Kinetics Technology (KT)	PEMEX	DCU Furnace for Dos Bocas Refinery	Carbon Steel and Stainless Steel Pipes, Fittings, Flanges and Studbolts	Mexico	2021
ADNOC	ADNOC	Optimum Shah Gas SOUR	Nickel Alloy N08825 / N06625 (with Clad) Pipes, Fittings and Flanges	Qatar	2022- 2024
METITO	National Office of Electricity and Drinking Water	Laayoune SWRO Desalination Plant	UNS S32750 / 32760 Pipes, Fittings, Flanges and Forged Fittings	Morocco	2020
Thyssenkrupp Industrial Solutions	NCIC	NCIC Fertilizer Complex	Carbon, Alloy and Stainless Steel Pipes, Fittings, Flanges and Strainers	Egypt	2019 - 2021
Technip Energies	Neste	Neste Singapore Expansion Project	Carbon Steel, Alloy Steel and N06625 Pipes, Fittings and Flanges	Singapore	2019-2020
NOC	NOC	Al Shaheen Field	Carbon Steel, Stainless Steel, 6Mo., SuperDuplex, N06625 Piping Material	Qatar	2020
ORPIC	ORPIC	Liwa Plastics Project	Duplex, Carbon Steel, Stainless Steel Valves, Pipes, Fittings and Flanges	Oman	2020
Sicilsaldo S.p.A.	Plasma Oil Refinery	Bulgaria Pipeline Project	Pressure Relief Valves	Bulgaria	2020
Fortune Engineering & Energy Services	GASCO {ADNOC Group}	Ruwais - Installation Of ESD Valves in Train 1 & 2	Check Valves	United Arab Emirates	2021
Kinetics Technology (KT)	PEMEX	DCU Furnace for Dos Bocas Refinery	Carbon Steel and Stainless Steel Pipes, Fittings, Flanges and Studbolts	Mexico	2021



PFF

THANK YOU!

