



# SUMMIT SERIES® II 1425W V2

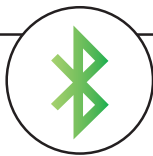
**NEW FEATURE**

**AC & DC POWERED**



The Summit Series® II charger family is a cornerstone of Lester Electrical's motive power charging portfolio. Offering advanced communication capabilities, flexible battery compatibility, and rugged industrial performance, Summit Series® II chargers are well suited for golf cars, aerial work platforms, material handling equipment, floor care machines, and other demanding applications.

AVAILABLE MODELS			
48V / 30A	36V / 40A	24V / 40A	24-48V / 40-30A
32320	29620	29520	30520



## BLUETOOTH®

Featuring Bluetooth wireless communication with apps for Apple® and Android™ phones and tablets. View charge cycle status, select the active battery profile, upload new profiles, change between on-board and off-board and download charge history records anytime using just a smart phone or tablet.



## PERFORMANCE

Our Summit Series® II provides industry-leading charging performance and intelligence. Our proprietary Progressive DV/DT™ charge algorithm ensures a precisely charged battery every time. The chargers are tested in extreme temperatures and operating conditions and built to last.



## EFFICIENCY

Our switch mode (high frequency) chargers have best-in-class efficiency and are compliant with the latest DOE and CEC, standards. We operate a CEC approved laboratory in our Lincoln, NE manufacturing plant.



## CLOUD CONNECTIVITY

Push charge histories to the cloud to access data anywhere in the world. Enjoy expert technical support as our Lester Electrical staff can quickly see historical charging records. Add new charging profiles to your charger by pulling from the cloud and pushing to your charger.



## EXPERTISE

Lester has been designing and manufacturing industrial battery chargers for more than sixty years. We are an employee owned company and every member of our team is invested in the quality we deliver our customers.



## FLEXIBILITY

Universal AC input and external DC and signal connections allow for easy customization and worldwide use. Our 1425W offers multi-voltage support allowing one charger to operate at 24V, 36V or 48V.

# SPECIFICATIONS

## AC INPUT

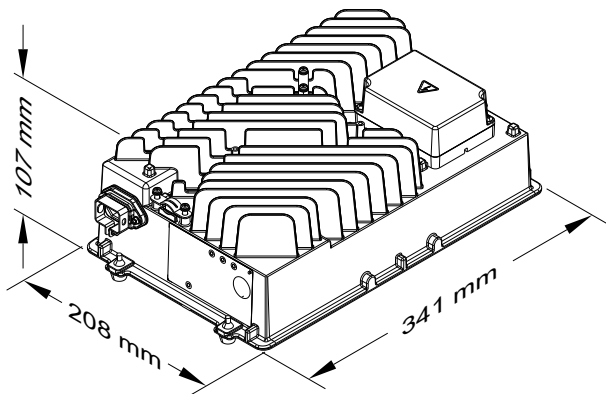
<b>Voltage range, rated</b>	100-240 Vac
<b>Voltage range, operating</b>	85-265 Vac ( < 108 Vac: reduced power)
<b>Frequency, rated</b>	50-60 Hz
<b>Frequency, operating</b>	45-65 Hz
<b>Phase</b>	Single-phase
<b>Current, maximum</b>	< 15 A
<b>Efficiency</b>	> 91% peak, DOE test procedure, 115 Vac, AC and DC losses included
<b>Protection</b>	Current limit, surge, transient, under voltage, over voltage

## DC OUTPUT

<b>Power</b>	1200 W	1425 W	
<b>Voltage, nominal</b>	24 Vdc	36 Vdc	48 Vdc
<b>Voltage, maximum</b>	36 Vdc	54 Vdc	72 Vdc
<b>Current, maximum</b>	40 A	40 A	30 A
<b>Voltage, min start-up</b>	10 Vdc		
<b>Battery types</b>	Lead-acid (Wet / AGM / Gel), Lithium, custom		
<b>Protection</b>	Current limit, short circuit, reverse polarity, under voltage, over voltage, wrong battery voltage		

## ENVIRONMENTAL

<b>Enclosure rating</b>	IP66, NEMA 4
<b>Operating temperature</b>	-25 °C to 60 °C (-13 °F to 140 °F)
<b>Storage temperature</b>	-40 °C to 85 °C (-40 °F to 185 °F)



## USER & VEHICLE INTERFACES

<b>Bluetooth Wireless</b>	Apps for Apple and Android phones and tablets
<b>LEDs</b>	Charge Complete (green), Charge Status (yellow), AC Present (blue), Fault (red)
<b>Lockout / interlock</b>	Single wire, high/low operation
<b>Remote LEDs</b>	Single tri-color; charge complete, charge status, fault; output standard; LED assembly optional
<b>CAN bus communication</b>	CANopen® and SAE J1939 standard, contact LE sales regarding customized options
<b>12V Wake</b>	12V available when AC power is present for battery wake applications
<b>Wake-up signal</b>	Two wire interface allows vehicle/battery circuitry to wake-up when AC power is present

## MECHANICAL

<b>Dimensions (LxWxH), (removable feet not included)</b>	341 x 208 x 107 mm (13.438 x 8.188 x 4.219 in)
<b>Weight</b>	13.428 lbs (6.090 Kgs)
<b>Cooling</b>	Natural convection (no fan)
<b>AC input connector</b>	IEC 60320 C16 inlet with cord clamp
<b>DC output connector</b>	External terminals with cover
<b>CAN bus connector</b>	QD terminal block
<b>Lockout connector</b>	QD terminal block
<b>Battery temp connector</b>	QD terminal block
<b>Remote LED connector</b>	QD terminal block
<b>12V wake connector</b>	QD terminal block
<b>Wake-up signal connector</b>	QD terminal block
<b>Mounting</b>	Shelf, wall, bulkhead, threaded rod, hook
<b>Handle</b>	Carrying handle optional

## SAFETY/REGULATORY

<b>Efficiency</b>	DOE Code of Federal Regulations, CEC Appliance Efficiency Regulations, Title 20; 10 CFR Part 430
<b>Safety / Emissions</b>	UL recognized/listed; cUL/CSA certified; FCC Part 15; ICES-003; EN safety, emissions, immunity; CE Certified; ACMA RCM (C-Tick)



Specifications are subject to change without notice. Copyright Lester Electrical of Nebraska, Inc. All rights reserved.

The Bluetooth® word mark and logos are registered trademarks owned by Bluetooth SIG, Inc., and any use of such marks by Lester Electrical is under license. Other trademarks and trade names are those of their respective owners.

Apple is a trademark of Apple Inc., registered in the U.S. and other countries. App Store is a service mark of Apple Inc., registered in the U.S. and other countries.

Android is a trademark of Google Inc. Google Play and the Google Play logo are trademarks of Google Inc.

CANopen® is a registered trademark of CAN in Automation in Europe.



**WEBSITE:** [www.LesterElectrical.com](http://www.LesterElectrical.com)

**PHONE:** (402) 477-8988

**E-MAIL:** [APodwinski@LesterElectrical.com](mailto:APodwinski@LesterElectrical.com)  
[JillA@LesterElectrical.com](mailto:JillA@LesterElectrical.com)

Lester Electrical  
625 West A Street, Lincoln, NE 68522, USA