



SUMMIT SERIES® II 650 W



NEW FEATURE

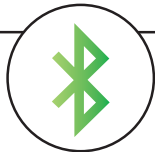


Want to know more about Sigma? Contact a Lester sales representative today.



The Summit Series® II charger family is a cornerstone of Lester Electrical's motive power charging portfolio. Offering advanced communication capabilities, flexible battery compatibility, and rugged industrial performance, Summit Series® II chargers are well suited for golf cars, aerial work platforms, material handling equipment, floor care machines, and other demanding applications.

AVAILABLE MODELS			
48V / 13.5A	36V / 18A	24V / 25A	36-48V / 18-13.5A
29700	29900	29300	30600



BLUETOOTH®

Featuring Bluetooth wireless communication with apps for Apple® and Android™ phones and tablets. View charge cycle status, select the active battery profile, upload new profiles, change between on-board and off-board and download charge history records anytime using just a smart phone or tablet.



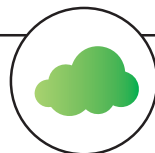
PERFORMANCE

Our Summit Series® II provides industry-leading charging performance and intelligence. Our proprietary Progressive DV/DT™ charge algorithm ensures a precisely charged battery every time. The chargers are tested in extreme temperatures and operating conditions and built to last.



EFFICIENCY

Our switch mode (high frequency) chargers have best-in-class efficiency and are compliant with the latest DOE, CEC, and NRCAN standards. We operate a CEC approved laboratory in our Lincoln, NE manufacturing plant.



CLOUD CONNECTIVITY

Push charge histories to the cloud to access data anywhere in the world. Enjoy expert technical support as our Lester Electrical staff can quickly see historical charging records. Add new charging profiles to your charger by pulling from the cloud and pushing to your charger.



EXPERTISE

Lester has been designing and manufacturing industrial battery chargers for more than sixty years. We are an employee owned company and every member of our team is invested in the quality we deliver our customers.



FLEXIBILITY

Universal AC input and external DC and signal connections allow for easy customization and worldwide use. Our 650W offers multi-voltage support allowing one charger to operate at 36V or 48V.

SPECIFICATIONS

AC INPUT

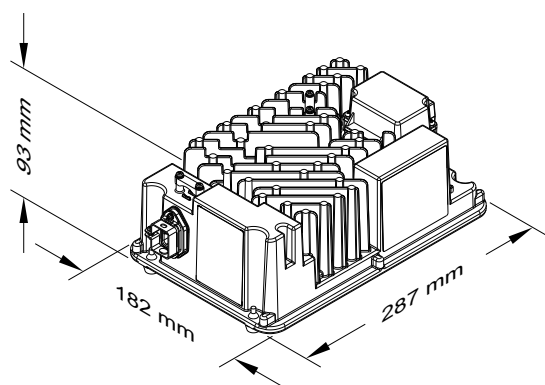
Voltage range, rated	100-240 Vac
Voltage range, operating	85-265 Vac (< 108 Vac: reduced power)
Frequency, rated	50-60 Hz
Frequency, operating	45-65 Hz
Phase	Single-phase
Current, maximum	< 8 A
Efficiency	$> 90\%$ peak, DOE test procedure, 115 Vac, AC and DC losses included
Protection	Current limit, surge, transient, under voltage, over voltage

DC OUTPUT

Power	650 W		
Voltage, nominal	24 Vdc	36 Vdc	48 Vdc
Voltage, maximum	36 Vdc	54 Vdc	72 Vdc
Current, maximum	25 A	18 A	13.5 A
Voltage, min start-up	10 Vdc		
Battery types	Lead-acid (Wet / AGM / Gel), lithium, custom		
Protection	Current limit, short circuit, reverse polarity, under voltage, over voltage, wrong battery voltage		

ENVIRONMENTAL

Enclosure rating	IP66, NEMA 4
Operating temperature	-25°C to 60°C (-13°F to 140°F)
Storage temperature	-40°C to 85°C (-40°F to 185°F)



USER & VEHICLE INTERFACES

Bluetooth Wireless	Apps for Apple and Android phones and tablets
LEDs	Charge Complete (green), Charge Status (yellow), AC Present (blue), Fault (red)
Remote LED	Single tri-color; charge complete, charge status, fault; output standard; LED assembly optional
Lockout / interlock	Single wire
Battery temperature	Input standard; sensor optional
CAN bus communication	CANopen® and SAE J1939 standard, contact LE sales regarding customized options

MECHANICAL

Dimensions (LxWxH), <i>(removable feet not included)</i>	287 x 182 x 93 mm (11.297 x 7.171 x 3.641 in)
Weight	8.430 lbs (3.824 Kgs)
Cooling	Natural convection (no fan)
AC input connector	IEC 60320 C16 inlet with cord clamp
DC output connector	External terminals with cover
Lockout connector	External terminal with cover
Battery temp connector	External terminal with cover
Remote LED connector	External DB9 (DE9)
CAN bus connector	External DB9 (DE9)
Mounting	Shelf, wall, bulkhead, threaded rod, hook
Handle	Carrying handle optional

SAFETY/REGULATORY

Efficiency	DOE Code of Federal Regulations, CEC Appliance Efficiency Regulations, Title 20; 10 CFR Part 430, NRCAN Energy Efficiency Regulations
Safety / Emissions	UL recognized/listed; cUL certified; FCC Part 15; ICES-003; EN safety, emissions, immunity; CE Certified; ACMA RCM (C-Tick)



Specifications are subject to change without notice. Copyright Lester Electrical of Nebraska, Inc. All rights reserved.

The Bluetooth® word mark and logos are registered trademarks owned by Bluetooth SIG, Inc., and any use of such marks by Lester Electrical is under license. Other trademarks and trade names are those of their respective owners.

Apple is a trademark of Apple Inc., registered in the U.S. and other countries. App Store is a service mark of Apple Inc., registered in the U.S. and other countries.

Android is a trademark of Google Inc. Google Play and the Google Play logo are trademarks of Google Inc.

CANopen® is a registered trademark of CAN in Automation in Europe.

WEBSITE: www.LesterElectrical.com

PHONE: (402) 477-8988

E-MAIL: APodwinski@LesterElectrical.com
JillA@LesterElectrical.com

Lester Electrical
625 West A Street, Lincoln, NE 68522, USA