

**BALUSTRADE & POOL**  
**PRODUCT SPEC GUIDE**



# INDEX

## PRODUCT SPEC GUIDE

### GLASS BALUSTRADE COMPONENTS

---

STAINLESS STEEL SPIGOTS	PG 3-5
OFFSET HANDRAIL SYSTEM	PG 6-8
TOP MOUNT HANDRAIL SYSTEM	PG 9-12
FACE FIX ACCESSORIES	PG 13

### GLASS POOL COMPONENTS

---

STAINLESS STEEL SPIGOTS	PG 14-16
GLASS CONNECTORS	PG 17-18
GLASS GATE COMPONENTS	PG 19-22

### GLASS BALUSTRADE PANELS

---

GLASS PANELS	PG 23-26
FACE FIXED GLASS PANELS	PG 27-30

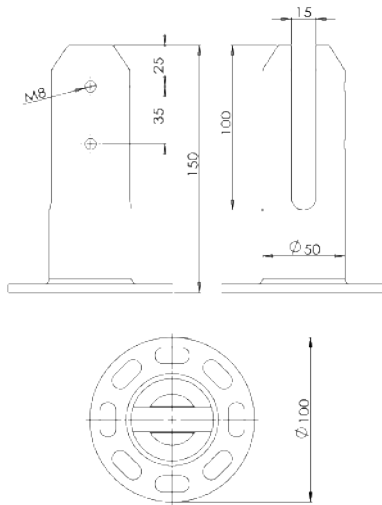
### GLASS POOL PANELS

---

INFILL PANELS	PG 31-35
HINGE PANELS	PG 36-37
GATE PANELS	PG 37

## STAINLESS STEEL SPIGOTS

### PISA SPIGOT



**MATERIAL:**  
2205 Stainless Steel

**DIMENSIONS:**  
DØ50\*50mm x H150mm x Flange 100mm

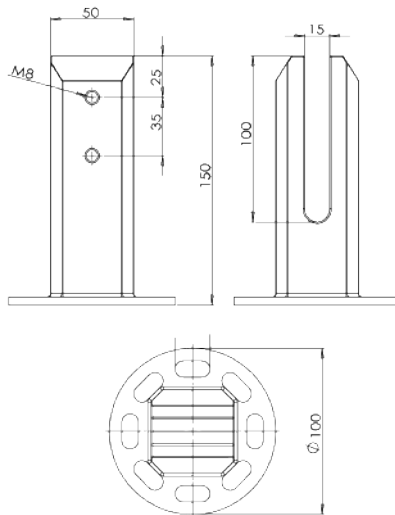
#### SPECIFICATIONS:

- 2205 Stainless Steel
- Resistant to weathering
- Base plate included
- Multiple fixing holes for positioning
- Gasket and pressure plate integrated
- Suitable for 12mm glass
- Friction fit, no holes in glass

#### PRODUCT CODES:

**POLISHED:** GH-SF-RRF-P

### EMPIRE SPIGOT



**MATERIAL:**  
2205 Stainless Steel

**DIMENSIONS:**  
DØ50\*50mm x H150mm x Flange 100mm

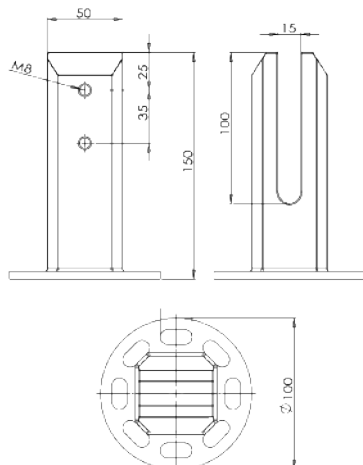
#### SPECIFICATIONS:

- 2205 Stainless Steel
- Resistant to weathering
- Base plate included
- Multiple fixing holes for positioning
- Gasket and pressure plate integrated
- Suitable for 12mm glass
- Friction fit, no holes in glass

#### PRODUCT CODES:

**POLISHED:** GH-SF-RSF-P

### EMPIRE MATT BLACK SPIGOT



**MATERIAL:**  
2205 Stainless Steel

**DIMENSIONS:**  
DØ50\*50mm x H150mm x Flange 100mm

#### SPECIFICATIONS:

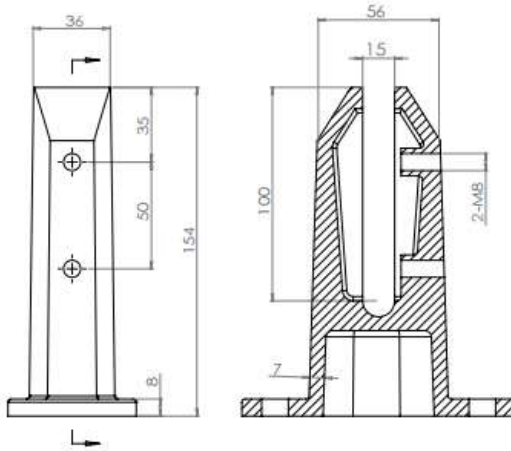
- 2205 Stainless Steel
- Electrostatic coating
- Resistant to weathering
- Base plate included
- Multiple fixing holes for positioning
- Gasket and pressure plate integrated
- Suitable for 12mm glass
- Friction fit, no holes in glass

#### PRODUCT CODES:

**MATT BLACK:** GH-SF-RSF-B

## STAINLESS STEEL SPIGOTS

### EIFFEL POLISHED SPIGOT



**MATERIAL:**  
2205 Stainless Steel

**DIMENSIONS:**  
DØ36\*56mm x H154mm x Flange 127\*60mm

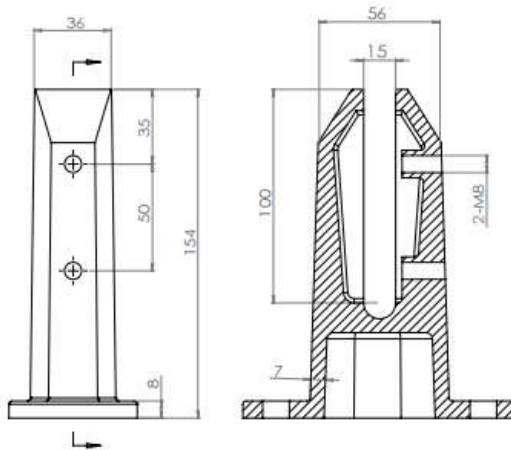
#### SPECIFICATIONS:

- 2205 Stainless Steel
- Resistant to weathering
- Base plate included
- Multiple fixing holes for positioning
- Gasket and pressure plate integrated
- Suitable for 12mm glass
- Friction fit, no holes in glass

#### PRODUCT CODES:

**POLISHED:** GH-SF-RAD-P

### EIFFEL MATT BLACK SPIGOT



**MATERIAL:**  
2205 Stainless Steel

**DIMENSIONS:**  
DØ36\*56mm x H154mm x Flange 127\*60mm

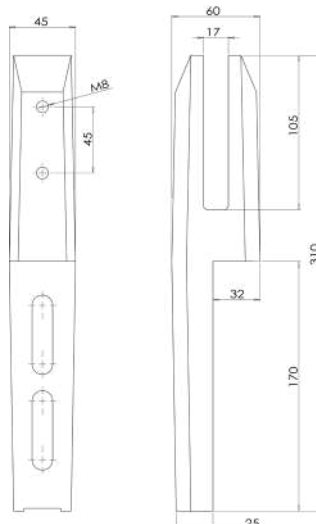
#### SPECIFICATIONS:

- 2205 Stainless Steel
- Electrostatic coating
- Resistant to weathering
- Base plate included
- Multiple fixing holes for positioning
- Gasket and pressure plate integrated
- Suitable for 12mm glass
- Friction fit, no holes in glass

#### PRODUCT CODES:

**MATT BLACK:** GH-SF-RAD-B

### FACE FIXED POLISHED SPIGOT



**MATERIAL:**  
2205 Stainless Steel

**DIMENSIONS:**  
H310 x W39 x D25mm

#### SPECIFICATIONS:

- 2205 Stainless Steel
- Electrostatic coating
- Resistant to weathering
- Base plate included
- Multiple fixing holes for positioning
- Gasket and pressure plate integrated
- Suitable for 12mm glass
- Friction fit, no holes in glass

#### PRODUCT CODES:

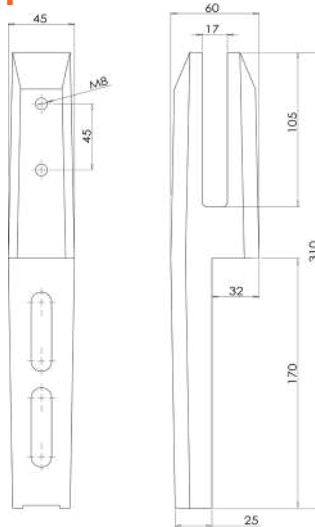
**POLISHED:** GHB-FF029-P

## STAINLESS STEEL SPIGOTS

### FACE FIXED MATT BLACK SPIGOT



**MATERIAL:**  
2205 Stainless Steel



**DIMENSIONS:**  
H310 x W39 x D25mm

#### SPECIFICATIONS:

- 2205 Stainless Steel
- Resistant to weathering
- Base plate included
- Multiple fixing holes for positioning
- Gasket and pressure plate integrated
- Suitable for 12mm glass
- Friction fit, no holes in glass

#### PRODUCT CODES:

**MATT BLACK:** GHB-FF029-B

## OFFSET HANDRAIL SYSTEM

### HANDRAIL

ASNZ1288-2006



#### SPECIFICATIONS:

- 316 Stainless Steel
- Resistant to weathering
- Manufactured to the highest standard for strength and durability
- Premium quality finish
- Available in polished or satin finish

#### PRODUCT CODES:

**POLISHED:** GHB-HNDRAIL2.9P

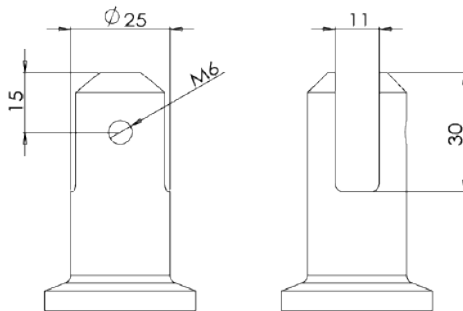
#### MATERIAL:

316 Stainless Steel

#### DIMENSIONS:

W50mm x H10mm x L2900mm

## STAND OFF BRACKET



#### SPECIFICATIONS:

- 316 Stainless Steel
- Manufactured by investment casting
- Resistant to weathering
- Suitable for offset handrail
- Slimline rail configuration
- Manufactured to the highest standard for strength and durability

#### PRODUCT CODES:

**POLISHED:** GHB-STPIN-P

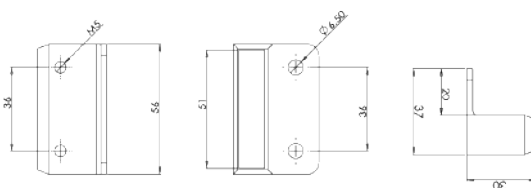
#### MATERIAL:

316 Stainless Steel

#### DIMENSIONS:

Outer  $\varnothing$  38mm x Rail Slot  $\varnothing$ 25mm x L75mm

## WALL TIE



#### SPECIFICATIONS:

- 316 Stainless Steel
- Manufactured by investment casting
- Resistant to weathering
- Suitable for offset handrail
- No exposed tube cuts
- Manufactured to the highest standard for strength and durability

#### PRODUCT CODES:

**POLISHED:** GHB-HWALLT-P

#### MATERIAL:

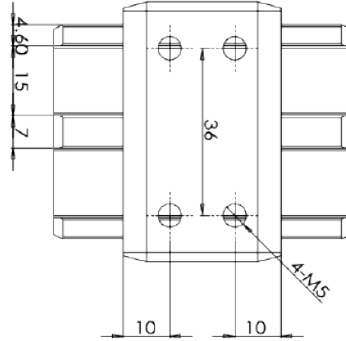
316 Stainless Steel

#### DIMENSIONS:

W56mm x H37mm x L30mm

## OFFSET HANDRAIL SYSTEM

### 180° INLINE JOINER



**MATERIAL:**  
316 Stainless Steel

**DIMENSIONS:**  
W56mm x H16mm x L64mm

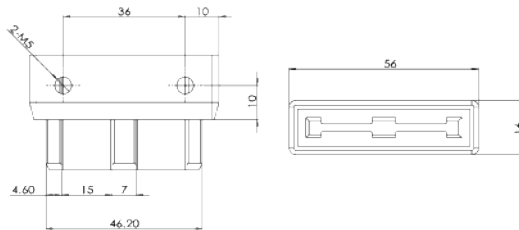
#### SPECIFICATIONS:

- 316 Stainless Steel
- Manufactured by investment casting
- Resistant to weathering
- Suitable for offset handrail
- No welding required

#### PRODUCT CODES:

**POLISHED:** GHB-HINLINE-P

### END CAP



**MATERIAL:**  
316 Stainless Steel

**DIMENSIONS:**  
W56mm x H16mm x L34mm

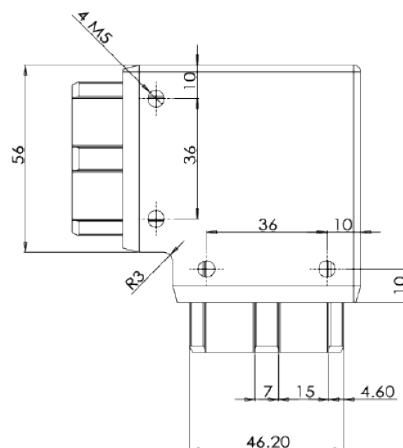
#### SPECIFICATIONS:

- 316 Stainless Steel
- Manufactured by investment casting
- Resistant to weathering
- Suitable for offset handrail
- No welding required
- No exposed tube cuts

#### PRODUCT CODES:

**POLISHED:** GHB-HENDC-P

### 90° JOINER



**MATERIAL:**  
316 Stainless Steel

**DIMENSIONS:**  
Rail slot 50\*10mm x Thickness 16mm x L71mm

#### SPECIFICATIONS:

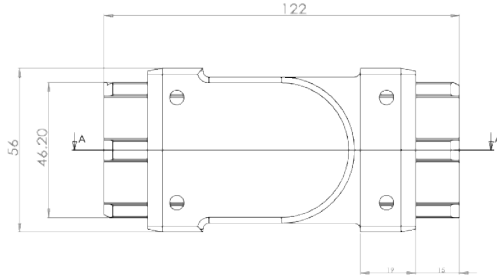
- 316 Stainless Steel
- Manufactured by investment casting
- Resistant to weathering
- Suitable for offset handrail
- No welding required
- No exposed tube cuts

#### PRODUCT CODES:

**POLISHED:** GHB-HCNRJOIN-P

## OFFSET HANDRAIL SYSTEM

### ADJUSTABLE CORNER JOINER



#### SPECIFICATIONS:

- 316 Stainless Steel
- Manufactured by investment casting
- Resistant to weathering
- Suitable for offset handrail
- No welding required

#### PRODUCT CODES:

**POLISHED:** GHB-HCNRADJ-P

#### MATERIAL:

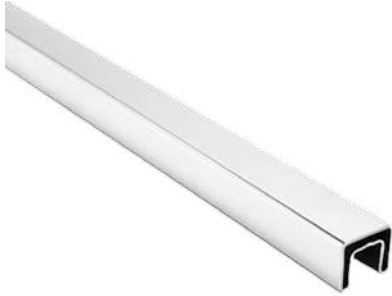
316 Stainless Steel

#### DIMENSIONS:

W56mm x H16mm x L122mm

## TOP MOUNT HANDRAIL SYSTEM

### HANDRAIL



**MATERIAL:**  
316 Stainless Steel

**DIMENSIONS:**  
(Slot 14\*14mm) W25mm x H21mm x L2.9m

#### SPECIFICATIONS:

- 316 Stainless Steel
- Resistant to weathering
- Manufactured to the highest standard for strength and durability
- Premium quality finish
- Available in polished or satin finish

#### PRODUCT CODES:

**POLISHED:** GHB-RIL-SQ2.9-P

### HANDRAIL - MATT BLACK



**MATERIAL:**  
316 Stainless Steel

**DIMENSIONS:**  
(Slot 14\*14mm) W25mm x H21mm x L2.9m

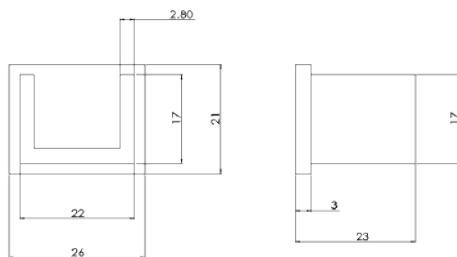
#### SPECIFICATIONS:

- 316 Stainless Steel
- Electrostatic coating
- Resistant to weathering
- Manufactured to the highest standard for strength and durability
- Premium quality finish

#### PRODUCT CODES:

**MATT BLACK:** GHB-RIL-SQ2.9-B

### END CAP



**316 Stainless Steel**

**DIMENSIONS:**  
W26mm x H23mm

#### SPECIFICATIONS:

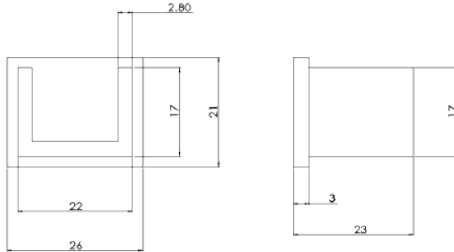
- 316 Stainless Steel
- Manufactured by investment casting
- Resistant to weathering
- Suitable for top cap handrail
- No welding required
- No exposed tube cuts
- Available in polished or satin finish

#### PRODUCT CODES:

**POLISHED:** GHB-25SEDCP-P

## TOP MOUNT HANDRAIL SYSTEM

### END CAP - MATT BLACK



#### SPECIFICATIONS:

- 316 Stainless Steel
- Manufactured by investment casting
- Electrostatic coating
- Resistant to weathering
- Suitable for top cap handrail
- No welding required
- No exposed tube cuts

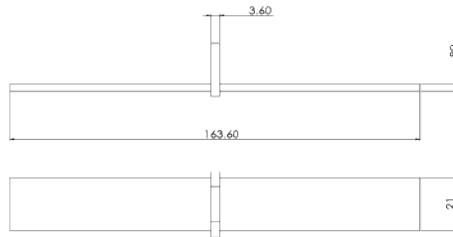
#### PRODUCT CODES:

**MATT BLACK:** GHB-25SEPCP-B

**MATERIAL:**  
316 Stainless Steel

**DIMENSIONS:**  
W26mm x H23mm

### 180° INLINE JOINER



#### SPECIFICATIONS:

- 316 Stainless Steel
- Manufactured by investment casting
- Suitable for top cap handrail
- No welding required
- No exposed tube cuts
- Available in polished or satin finish

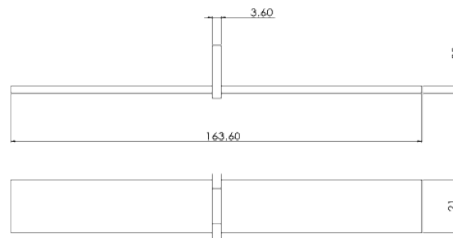
#### PRODUCT CODES:

**POLISHED:** GHB-25SJNR-P

**MATERIAL:**  
316 Stainless Steel

**DIMENSIONS:**  
(Thickness 2.8mm) W21mm x L163.6mm

### INLINE JOINER - MATT BLACK



#### SPECIFICATIONS:

- 316 Stainless Steel
- Manufactured by investment casting
- Electrostatic coating
- Suitable for top cap handrail
- No welding required
- No exposed tube cuts

#### PRODUCT CODES:

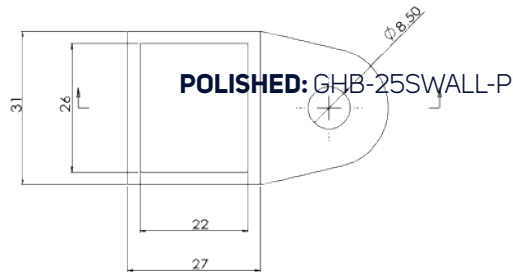
**POLISHED:** GHB-25SJNR-B

**MATERIAL:**  
316 Stainless Steel

**DIMENSIONS:**  
(Thickness 2.8mm) W21mm x L163.6mm

## TOP MOUNT HANDRAIL SYSTEM

### WALL TIE



#### SPECIFICATIONS:

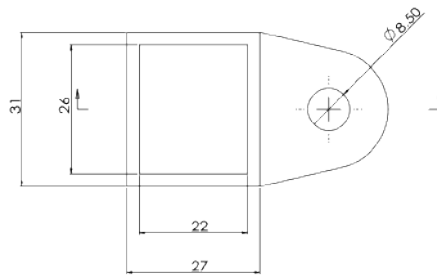
- 316 Stainless Steel
- Manufactured by investment casting
- Resistant to weathering
- Suitable for top cap handrail
- No welding required
- No exposed tube cuts
- Available in polished or satin finish

#### PRODUCT CODES:

**POLISHED: GHB-25SWALL-P**

**MATERIAL:**  
316 Stainless Steel

### WALL TIE - MATT BLACK



#### SPECIFICATIONS:

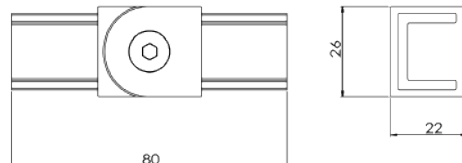
- 316 Stainless Steel
- Manufactured by investment casting
- Electrostatic coating
- Resistant to weathering
- Suitable for top cap handrail
- No welding required
- No exposed tube cuts

#### PRODUCT CODES:

**MATT BLACK: GHB-25SWALL-B**

**MATERIAL:**  
316 Stainless Steel

### 135° ADJUSTABLE CORNER JOINER



#### SPECIFICATIONS:

- 316 Stainless Steel
- Manufactured by investment casting
- Resistant to weathering
- Suitable for top cap handrail
- Maximum 135° angle
- No welding required
- No exposed tube cuts

#### PRODUCT CODES:

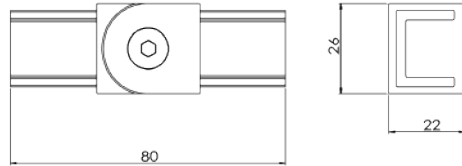
**POLISHED: GHB-25SCNRADJ-P**

**MATERIAL:**  
316 Stainless Steel

**DIMENSIONS:**  
W26mm x H22mm x L80mm

## TOP MOUNT HANDRAIL SYSTEM

### 135° ADJUSTABLE CORNER JOINER - MATT BLACK



**MATERIAL:**  
316 Stainless Steel

**DIMENSIONS:**  
W26mm x H22mm x L80mm

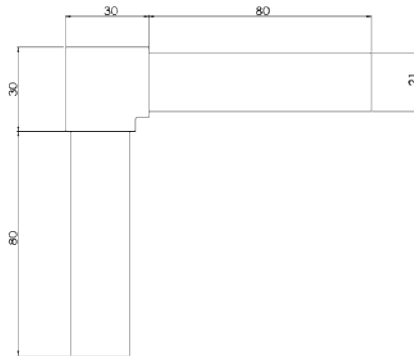
#### SPECIFICATIONS:

- 316 Stainless Steel
- Manufactured by investment casting
- Electrostatic coating
- Resistant to weathering
- Suitable for top cap handrail
- Maximum 135° angle
- No welding required
- No exposed tube cuts

#### PRODUCT CODES:

**MATT BLACK:** GHB-25SCNRADJ-B

### 90° CORNER JOINER



**MATERIAL:**  
316 Stainless Steel

**DIMENSIONS:**  
W21mm x L110\*110mm

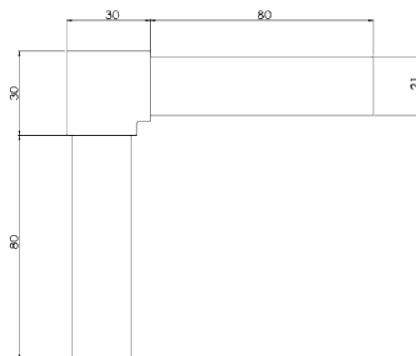
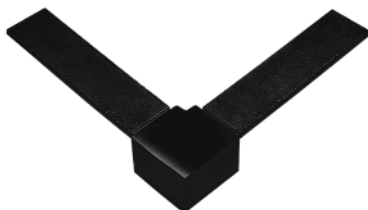
#### SPECIFICATIONS:

- 316 Stainless Steel
- Manufactured by investment casting
- Resistant to weathering
- Suitable for top cap handrail
- No welding required
- No exposed tube cuts
- Available in polished or satin finish

#### PRODUCT CODES:

**POLISHED:** GHB-25S90C-P

### 90° CORNER JOINER - MATT BLACK



**MATERIAL:**  
316 Stainless Steel

**DIMENSIONS:**  
W21mm x L110\*110mm

#### SPECIFICATIONS:

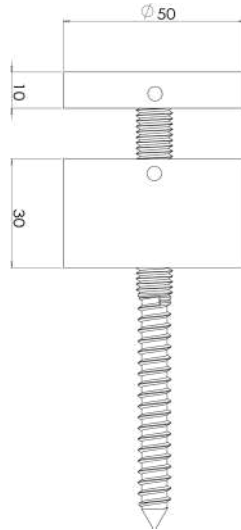
- 316 Stainless Steel
- Manufactured by investment casting
- Electrostatic coating
- Resistant to weathering
- Suitable for top cap handrail
- No welding required
- No exposed tube cuts

#### PRODUCT CODES:

**POLISHED:** GHB-25S90C-B

## FACE FIX ACCESSORIES

### STANDOFF PIN



**MATERIAL:**  
316 Stainless Steel

**DIMENSIONS:**  
Outer Ø 50mm x Body 30mm

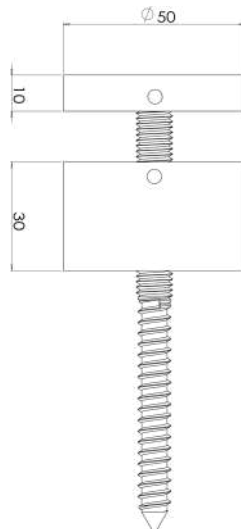
#### SPECIFICATIONS:

- 316 Stainless Steel
- Resistant to weathering
- M10 thread or 2x outer fixing holes
- Brushes & washes included

#### PRODUCT CODES:

**POLISHED:** GHB-FACEFIXPINP

### STANDOFF PIN - MATT BLACK



**MATERIAL:**  
316 Stainless Steel

**DIMENSIONS:**  
Outer Ø 50mm x Body 30mm

#### SPECIFICATIONS:

- 316 Stainless Steel
- Electrostatic coating
- Resistant to weathering
- M10 thread or 2x outer fixing holes
- Brushes & washes included

#### PRODUCT CODES:

**MATT BLACK:** GHB-FACEFIXB

### STANDOFF PIN SPANNER



**MATERIAL:**  
316 Stainless Steel

#### SPECIFICATIONS:

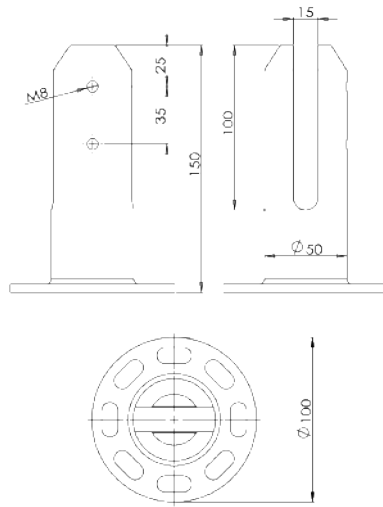
- 316 Stainless Steel
- Suitable for 50mm pin installation
- Necessary when installing face fix pins

#### PRODUCT CODES:

GHB-SPANNER

## STAINLESS STEEL SPIGOTS

### PISA SPIGOT



**MATERIAL:**  
2205 Stainless Steel

**DIMENSIONS:**  
DØ50\*50mm x H150mm x Flange 100mm

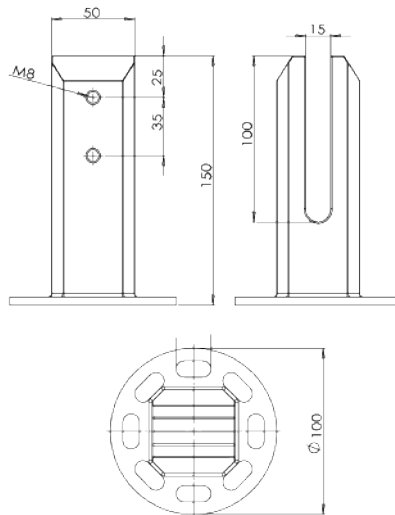
#### SPECIFICATIONS:

- 2205 Stainless Steel
- Resistant to weathering
- Base plate included
- Multiple fixing holes for positioning
- Gasket and pressure plate integrated
- Suitable for 12mm glass
- Friction fit, no holes in glass

#### PRODUCT CODES:

**POLISHED:** GH-SF-RRF-P  
**SATIN:** GH-SF-RRF-S

### EMPIRE SPIGOT



**MATERIAL:**  
2205 Stainless Steel

**DIMENSIONS:**  
DØ50\*50mm x H150mm x Flange 100mm

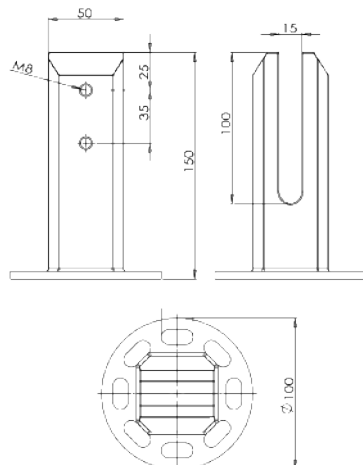
#### SPECIFICATIONS:

- 2205 Stainless Steel
- Resistant to weathering
- Base plate included
- Multiple fixing holes for positioning
- Gasket and pressure plate integrated
- Suitable for 12mm glass
- Friction fit, no holes in glass

#### PRODUCT CODES:

**POLISHED:** GH-SF-RSF-P  
**SATIN:** GH-SF-RSF-S

### EMPIRE MATT BLACK SPIGOT



**MATERIAL:**  
2205 Stainless Steel

**DIMENSIONS:**  
DØ50\*50mm x H150mm x Flange 100mm

#### SPECIFICATIONS:

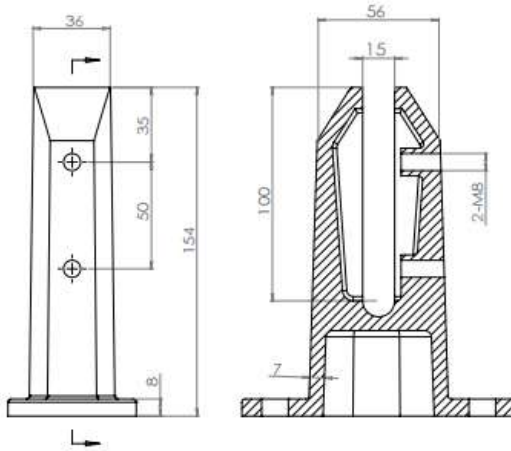
- 2205 Stainless Steel
- Electrostatic coating
- Resistant to weathering
- Base plate included
- Multiple fixing holes for positioning
- Gasket and pressure plate integrated
- Suitable for 12mm glass
- Friction fit, no holes in glass

#### PRODUCT CODES:

**MATT BLACK:** GH-SF-RSF-B

## STAINLESS STEEL SPIGOTS

### EIFFEL POLISHED SPIGOT



**MATERIAL:**  
2205 Stainless Steel

**DIMENSIONS:**  
DØ36\*56mm x H154mm x Flange 127\*60mm

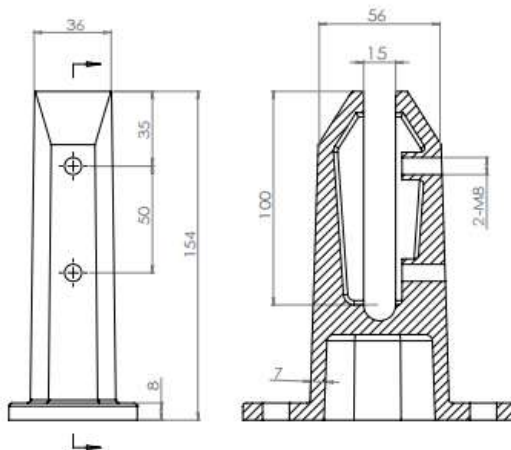
#### SPECIFICATIONS:

- 2205 Stainless Steel
- Resistant to weathering
- Base plate included
- Multiple fixing holes for positioning
- Gasket and pressure plate integrated
- Suitable for 12mm glass
- Friction fit, no holes in glass

#### PRODUCT CODES:

**POLISHED:** GH-SF-RAD-P

### EIFFEL MATT BLACK SPIGOT



**MATERIAL:**  
2205 Stainless Steel

**DIMENSIONS:**  
DØ36\*56mm x H154mm x Flange 127\*60mm

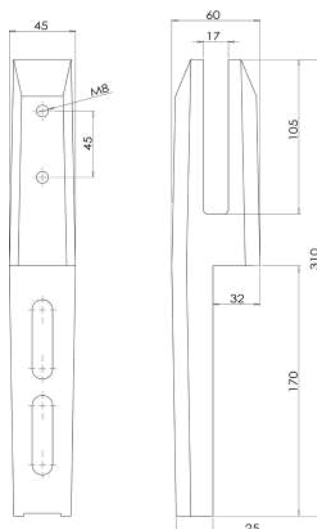
#### SPECIFICATIONS:

- 2205 Stainless Steel
- Electrostatic coating
- Resistant to weathering
- Base plate included
- Multiple fixing holes for positioning
- Gasket and pressure plate integrated
- Suitable for 12mm glass
- Friction fit, no holes in glass

#### PRODUCT CODES:

**MATT BLACK:** GH-SF-RAD-B

### FACE FIXED POLISHED SPIGOT



**MATERIAL:**  
2205 Stainless Steel

**DIMENSIONS:**  
H310 x W39 x D25mm

#### SPECIFICATIONS:

- 2205 Stainless Steel
- Electrostatic coating
- Resistant to weathering
- Base plate included
- Multiple fixing holes for positioning
- Gasket and pressure plate integrated
- Suitable for 12mm glass
- Friction fit, no holes in glass

#### PRODUCT CODES:

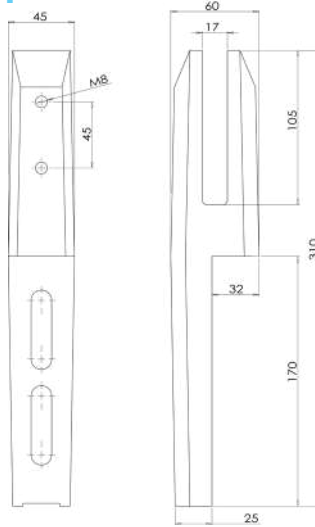
**POLISHED:** GHB-FF029-P

## STAINLESS STEEL SPIGOTS

### FACE FIXED MATT BLACK SPIGOT



**MATERIAL:**  
2205 Stainless Steel



**DIMENSIONS:**  
H310 x W39 x D25mm

#### SPECIFICATIONS:

- 2205 Stainless Steel
- Resistant to weathering
- Base plate included
- Multiple fixing holes for positioning
- Gasket and pressure plate integrated
- Suitable for 12mm glass
- Friction fit, no holes in glass

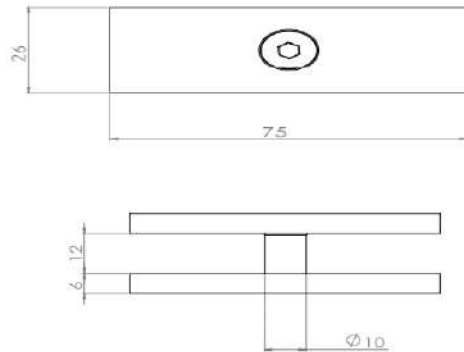
#### PRODUCT CODES:

**MATT BLACK:** GHB-FF029-B

## GLASS CONNECTORS (OPTIONAL)

\*20MM SPACING REQUIRED

### INLINE JOINER



**MATERIAL:**  
316 Stainless Steel

**DIMENSIONS:**  
W29mm x H54mm x L60mm

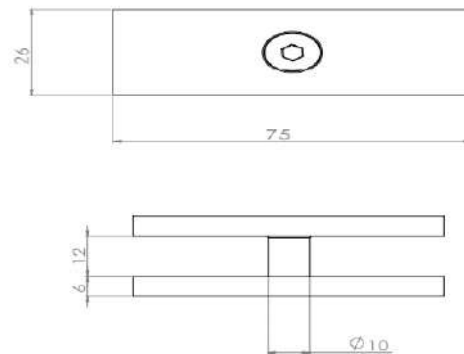
#### SPECIFICATIONS:

- 316 Stainless Steel
- Manufactured by investment casting
- Superior corrosion resistance
- Suitable for 12mm glass
- Friction fit, no holes in glass
- Available in polished or satin finish

#### PRODUCT CODES:

**POLISHED:** GH-GC-INLINE-P  
**SATIN:** GH-GC-INLINE-S

### INLINE JOINER - MATT BLACK



**MATERIAL:**  
316 Stainless Steel

**DIMENSIONS:**  
W72mm x H26mm x L72mm

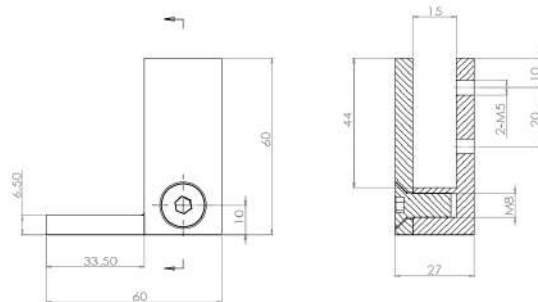
#### SPECIFICATIONS:

- 316 Stainless Steel
- Electrostatic coating
- Manufactured by investment casting
- Superior corrosion resistance
- Suitable for 12mm glass
- Friction fit, no holes in glass

#### PRODUCT CODES:

**MATT BLACK:** GH-GC-INLINE-B

### END BRACKET



**MATERIAL:**  
316 Stainless Steel

**DIMENSIONS:**  
W27mm x H60mm x L60mm

#### SPECIFICATIONS:

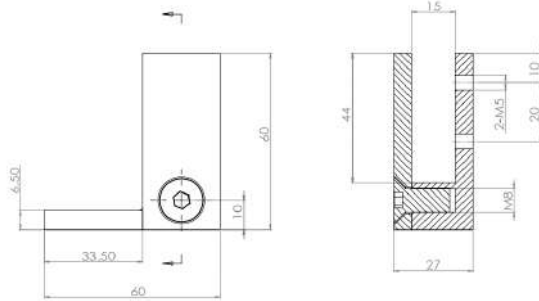
- 316 Stainless Steel
- Manufactured by investment casting
- Superior corrosion resistance
- Suitable for 12mm glass
- Friction fit, no holes in glass
- Available in polished or satin finish

#### PRODUCT CODES:

**POLISHED:** GH-GC-ENDBRACK-P  
**SATIN:** GH-GC-ENDBRACK-S

## GLASS CONNECTORS (OPTIONAL)

### END BRACKET - MATT BLACK



#### SPECIFICATIONS:

- 316 Stainless Steel
- Electrostatic coating
- Manufactured by investment casting
- Superior corrosion resistance
- Suitable for 12mm glass
- Friction fit, no holes in glass

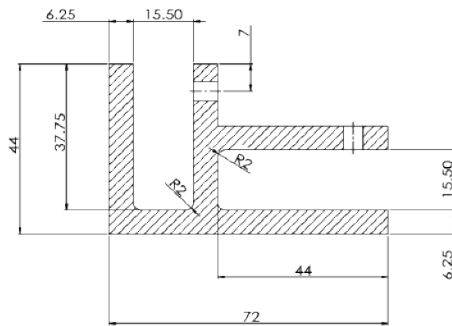
#### PRODUCT CODES:

**MATT BLACK:** GH-GC-ENDBRCK-B

**MATERIAL:**  
316 Stainless Steel

**DIMENSIONS:**  
W27mm x H60mm x L60mm

### CORNER JOINER



#### SPECIFICATIONS:

- 316 Stainless Steel
- Manufactured by investment casting
- Superior corrosion resistance
- Suitable for 12mm glass
- Friction fit, no holes in glass
- Available in polished or satin finish

#### PRODUCT CODES:

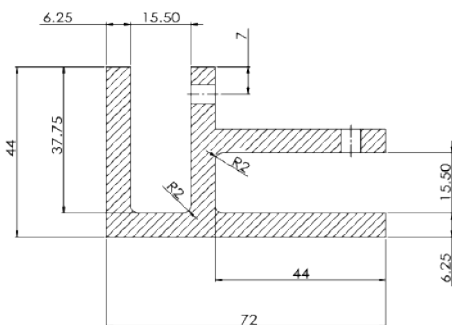
**POLISHED:** GH-GC90-CORNER-P

**SATIN:** GH-GC90-CORNER-S

**MATERIAL:**  
316 Stainless Steel

**DIMENSIONS:**  
W72mm x H26mm x L72mm

### CORNER JOINER - MATT BLACK



#### SPECIFICATIONS:

- 316 Stainless Steel
- Electrostatic coating
- Manufactured by investment casting
- Superior corrosion resistance
- Base plate included
- Suitable for 12mm glass
- Friction fit, no holes in glass

#### PRODUCT CODES:

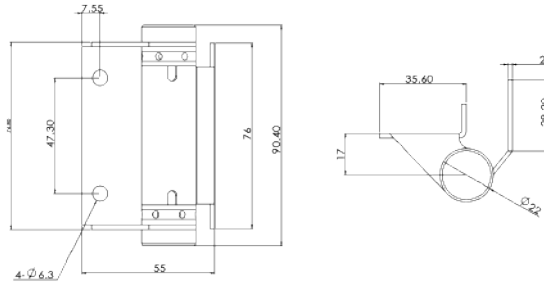
**MATT BLACK:** GH-GC90CRNR-B

**MATERIAL:**  
316 Stainless Steel

**DIMENSIONS:**  
W27mm x H60mm x L60mm

## GLASS GATE COMPONENTS

### 2 PACK GATE HINGE



#### SPECIFICATIONS:

- 316 Stainless Steel
- Resistant to weathering
- Suitable for 8-12mm glass gates
- 8-12mm glass screw sets included
- Available in polished or satin finish

#### PRODUCT CODES:

**POLISHED:** GH-HINGE-G2G-P

**SATIN:** GH-HINGE-G2G-S

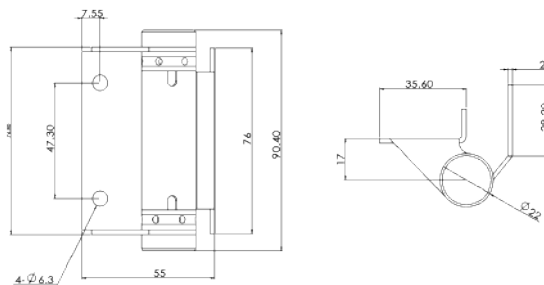
#### MATERIAL:

316 Stainless Steel

#### DIMENSIONS:

Hole Centres 47mm x Shaft  $\varnothing$  22mm x Glass Plates 76mm

### 2 PACK GATE HINGE - MATT BLACK



#### SPECIFICATIONS:

- 316 Stainless Steel
- Electrostatic coating
- Resistant to weathering
- Suitable for 8-12mm glass gates
- 8-12mm glass screw sets included

#### PRODUCT CODES:

**MATT BLACK:** GH-HINGE-G2G-B

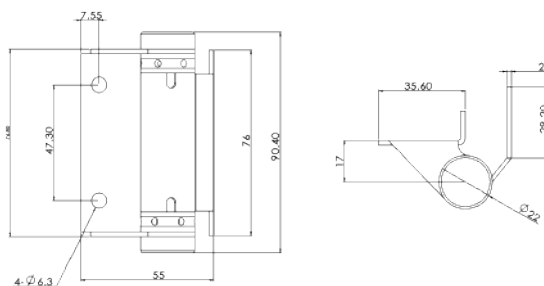
#### MATERIAL:

316 Stainless Steel

#### DIMENSIONS:

Hole Centres 47mm x Shaft  $\varnothing$  22mm x Glass Plates 76mm

### 2 PACK WALL/POST TO GLASS



#### SPECIFICATIONS:

- 316 Stainless Steel
- Resistant to weathering
- Suitable for 8-12mm glass gates
- 8-12mm glass screw sets included
- Available in polished or satin finish

#### PRODUCT CODES:

**POLISHED:** GHB-HINGE-SQ-P

**SATIN:** GHB-HINGE-SQ-S

#### MATERIAL:

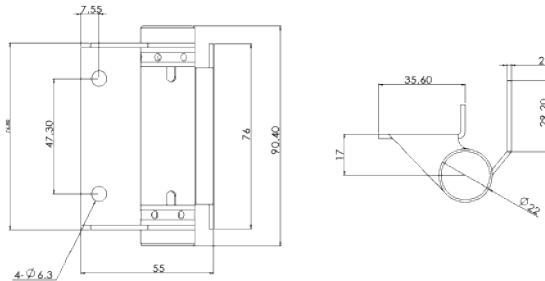
316 Stainless Steel

#### DIMENSIONS:

Hole Centres 47mm x Shaft  $\varnothing$  22mm x Glass Plates 76mm

## GLASS GATE COMPONENTS

### 2 PACK WALL/POST TO GLASS HINGE - MATT BLACK



#### SPECIFICATIONS:

- 316 Stainless Steel
- Electrostatic coating
- Resistant to weathering
- Suitable for 8-12mm glass gates
- 8-12mm glass screw sets included

#### PRODUCT CODES:

**MATT BLACK:** GHB-HINGE-SQ-B

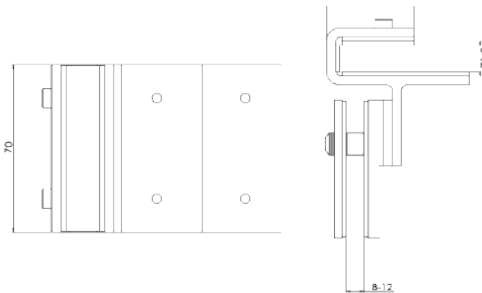
#### MATERIAL:

316 Stainless Steel

#### DIMENSIONS:

Hole Centres 47mm x Shaft Ø 22mm x Glass Plates 76mm

### GATE OUTSWING LATCH



#### SPECIFICATIONS:

- 316 Stainless Steel W/ Polymer Plastic
- Resistant to weathering
- Suitable for 8, 10 & 12mm glass gates
- 8-12mm glass screw sets included
- Complies with NZ pool safety regulations
- Available in polished or satin finish

#### PRODUCT CODES:

**POLISHED:** GHB-LATCHCNR-P

**SATIN:** GHB-LATCHCNR-S

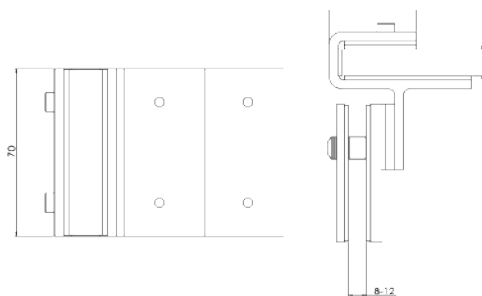
#### MATERIAL:

316 Stainless Steel

#### DIMENSIONS:

Gate plates 64\*75mm ; Latch plates 40\*75mm

### GATE OUTSWING LATCH - MATT BLACK



#### SPECIFICATIONS:

- 316 Stainless Steel W/ Polymer Plastic
- Electrostatic coating
- Resistant to weathering
- Suitable for 8, 10 & 12mm glass gates
- 8-12mm glass screw sets included
- Complies with NZ pool safety regulations

#### PRODUCT CODES:

**MATT BLACK:** GHB-LATCHCNR-B

#### MATERIAL:

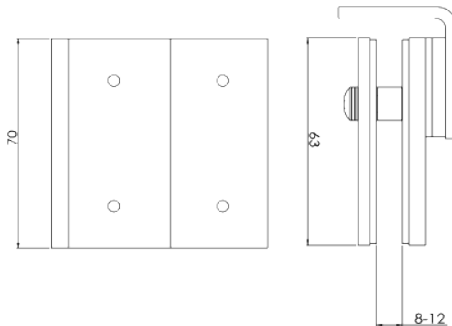
316 Stainless Steel

#### DIMENSIONS:

Gate plates 64\*75mm ; Latch plates 40\*75mm

## GLASS GATE COMPONENTS

### GATE LATCH WALL/POST MOUNT



**MATERIAL:**  
316 Stainless Steel

**DIMENSIONS:**  
Gate plates 64\*75mm ; Latch plates 40\*75mm

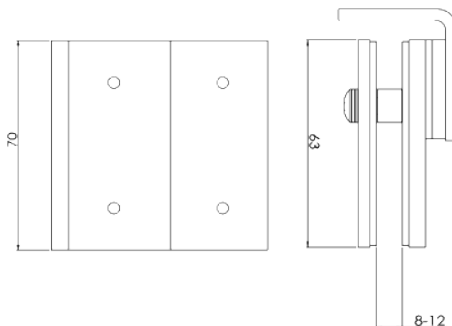
#### SPECIFICATIONS:

- 316 Stainless Steel W/ Polymer Plastic
- Resistant to weathering
- Suitable for 8, 10 & 12mm glass gates
- 8-12mm glass screw sets included
- Complies with NZ pool safety regulations
- Available in polished or satin finish

#### PRODUCT CODES:

**POLISHED:** GHB-WPLATCH-P  
**SATIN:** GHB-WPLATCH-S

### GATE LATCH WALL/POST - MATT BLACK



**MATERIAL:**  
316 Stainless Steel

**DIMENSIONS:**  
Gate plates 64\*75mm ; Latch plates 40\*75mm

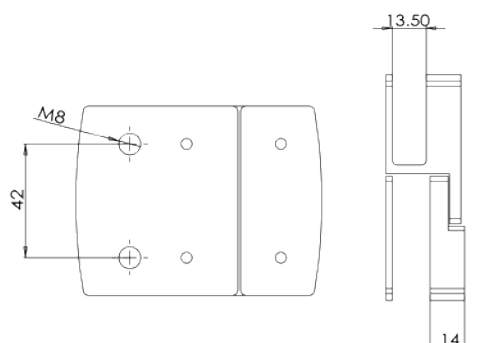
#### SPECIFICATIONS:

- 316 Stainless Steel W/ Polymer Plastic
- Electrostatic coating
- Resistant to weathering
- Suitable for 8, 10 & 12mm glass gates
- 8-12mm glass screw sets included
- Complies with NZ pool safety regulations

#### PRODUCT CODES:

**MATT BLACK:** GHB-WPLATCH-B

### INLINE 180° GATE LATCH PACK



**MATERIAL:**  
316 Stainless Steel

**DIMENSIONS:**  
Gate plates 64 \*75mm ; Latch plates 40\*75mm

#### SPECIFICATIONS:

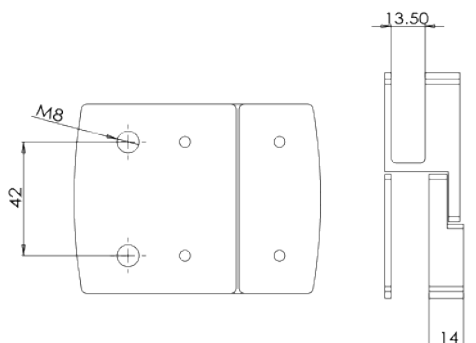
- 316 Stainless Steel W/ Polymer Plastic
- Manufactured by investment casting
- Resistant to weathering
- Suitable for 8, 10 & 12mm glass gates
- 8-12mm glass screw sets included
- Complies with NZ pool safety regulations

#### PRODUCT CODES:

**POLISHED:** GH-LATCH180-P  
**SATIN:** GH-LATCH180-S

## GLASS GATE COMPONENTS

### INLINE 180° GATE LATCH PACK - MATT BLACK



#### SPECIFICATIONS:

- 316 Stainless Steel W/ Polymer Plastic
- Manufactured by investment casting
- Electrostatic coating
- Resistant to weathering
- Suitable for 8, 10 & 12mm glass gates
- 8-12mm glass screw sets included
- Complies with NZ pool safety regulations

#### PRODUCT CODES:

**MATT BLACK:** GH-LATCH180-B

#### MATERIAL:

316 Stainless Steel

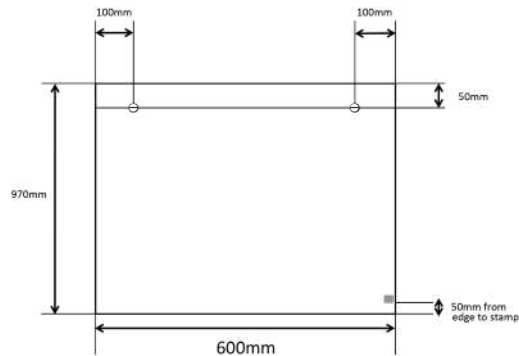
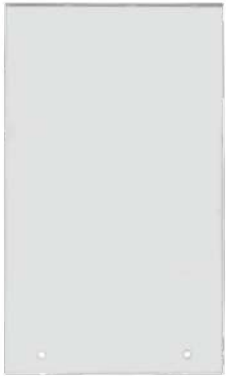
#### DIMENSIONS:

Gate plates 64\*75mm ; Latch plates 40\*75mm

## GLASS PANELS

**\*INCLUDES PRE-DRILLED HOLES**

### 600MM GLASS BALUSTRADE PANEL



**MATERIAL:**  
Toughened Safety Glass

**DIMENSIONS:**  
L600mm x H970mm x W12mm

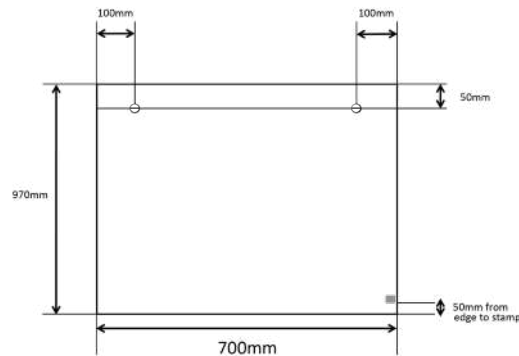
#### SPECIFICATIONS:

- 12mm clear toughened glass
- Heat soaked to EN 14179
- 3mm radius corners
- 14mm holes
- Handrail required (AS/NZS 11170), choose between Offset or Top Mount handrail.
- AS/NZS 2208 stamp with license No.

#### PRODUCT CODES:

**GLASS PANEL:** GF-BPANEL-600

### 700MM GLASS BALUSTRADE PANEL



**MATERIAL:**  
Toughened Safety Glass

**DIMENSIONS:**  
L700mm x H970mm x W12mm

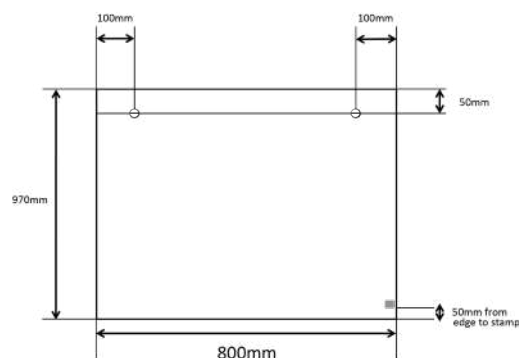
#### SPECIFICATIONS:

- 12mm clear toughened glass
- Heat soaked to EN 14179
- 3mm radius corners
- 14mm holes
- Handrail required (AS/NZS 11170), choose between Offset or Top Mount handrail.
- AS/NZS 2208 stamp with license No.

#### PRODUCT CODES:

**GLASS PANEL:** GF-BPANEL-700

### 800MM GLASS BALUSTRADE PANEL



**MATERIAL:**  
Toughened Safety Glass

**DIMENSIONS:**  
L800mm x H970mm x W12mm

#### SPECIFICATIONS:

- 12mm clear toughened glass
- Heat soaked to EN 14179
- 3mm radius corners
- 14mm holes
- Handrail required (AS/NZS 11170), choose between Offset or Top Mount handrail.
- AS/NZS 2208 stamp with license No.

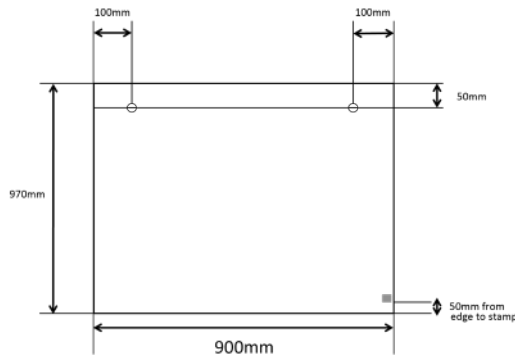
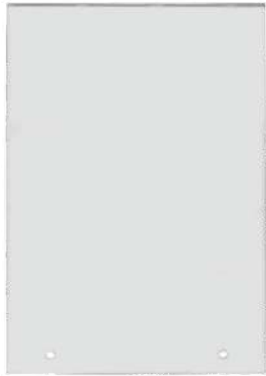
#### PRODUCT CODES:

**GLASS PANEL:** GF-BPANEL-800

## GLASS PANELS

**\*INCLUDES PRE-DRILLED HOLES**

### 900MM GLASS BALUSTRADE PANEL



**MATERIAL:**  
Toughened Safety Glass

**DIMENSIONS:**  
L900mm x H970mm x W12mm

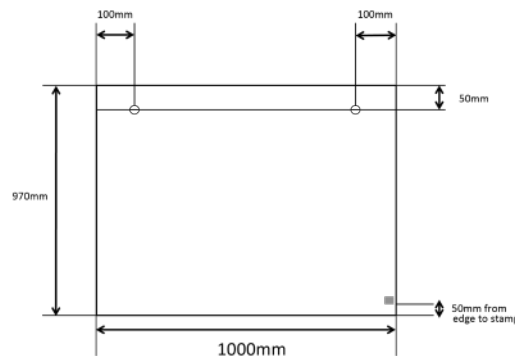
#### SPECIFICATIONS:

- 12mm clear toughened glass
- Heat soaked to EN 14179
- 3mm radius corners
- 14mm holes
- Handrail required (AS/NZS 11170), choose between Offset or Top Mount handrail.
- AS/NZS 2208 stamp with license No.

#### PRODUCT CODES:

**GLASS PANEL:** GF-BPANEL-900

### 1000MM GLASS BALUSTRADE PANEL



**MATERIAL:**  
Toughened Safety Glass

**DIMENSIONS:**  
L1000mm x H970mm x W12mm

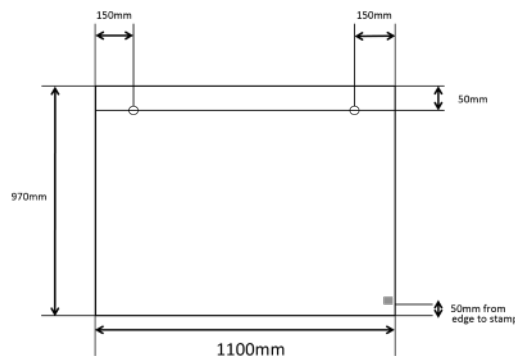
#### SPECIFICATIONS:

- 12mm clear toughened glass
- Heat soaked to EN 14179
- 3mm radius corners
- 14mm holes
- Handrail required (AS/NZS 11170), choose between Offset or Top Mount handrail.
- AS/NZS 2208 stamp with license No.

#### PRODUCT CODES:

**GLASS PANEL:** GF-BPANEL-1000

### 1100MM GLASS BALUSTRADE PANEL



**MATERIAL:**  
Toughened Safety Glass

**DIMENSIONS:**  
L1100mm x H970mm x W12mm

#### SPECIFICATIONS:

- 12mm clear toughened glass
- Heat soaked to EN 14179
- 3mm radius corners
- 14mm holes
- Handrail required (AS/NZS 11170), choose between Offset or Top Mount handrail.
- AS/NZS 2208 stamp with license No.

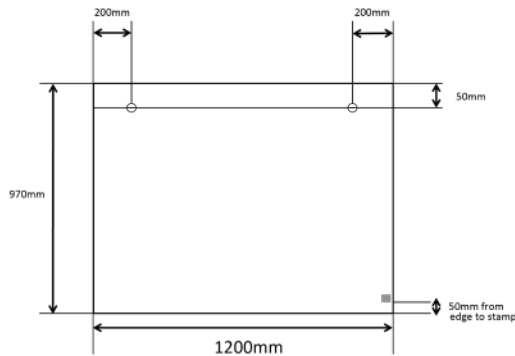
#### PRODUCT CODES:

**GLASS PANEL:** GF-BPANEL-1100

## GLASS PANELS

**\*INCLUDES PRE-DRILLED HOLES**

### 1200MM GLASS BALUSTRADE PANEL



**MATERIAL:**  
Toughened Safety Glass

**DIMENSIONS:**  
L1200mm x H970mm x W12mm

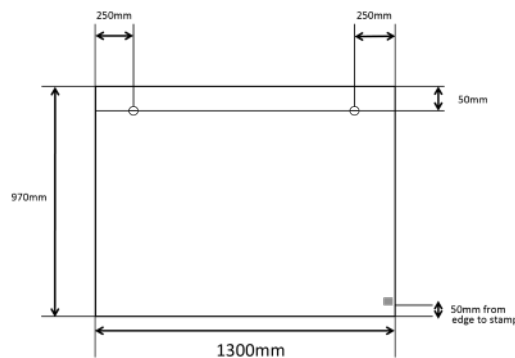
#### SPECIFICATIONS:

- 12mm clear toughened glass
- Heat soaked to EN 14179
- 3mm radius corners
- 14mm holes
- Handrail required (AS/NZS 11170), choose between Offset or Top Mount handrail.
- AS/NZS 2208 stamp with license No.

#### PRODUCT CODES:

**GLASS PANEL:** GF-BPANEL-1200

### 1300MM GLASS BALUSTRADE PANEL



**MATERIAL:**  
Toughened Safety Glass

**DIMENSIONS:**  
L1300mm x H970mm x W12mm

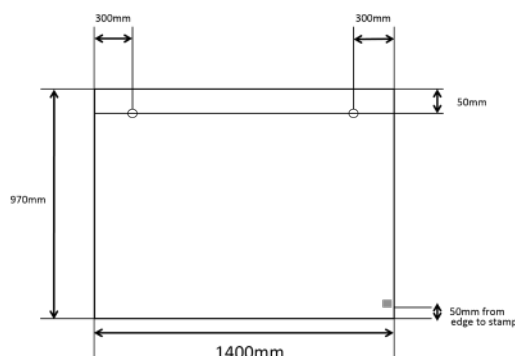
#### SPECIFICATIONS:

- 12mm clear toughened glass
- Heat soaked to EN 14179
- 3mm radius corners
- 14mm holes
- Handrail required (AS/NZS 11170), choose between Offset or Top Mount handrail.
- AS/NZS 2208 stamp with license No.

#### PRODUCT CODES:

**GLASS PANEL:** GF-BPANEL-1300

### 1400MM GLASS BALUSTRADE PANEL



**MATERIAL:**  
Toughened Safety Glass

**DIMENSIONS:**  
L1400mm x H970mm x W12mm

#### SPECIFICATIONS:

- 12mm clear toughened glass
- Heat soaked to EN 14179
- 3mm radius corners
- 14mm holes
- Handrail required (AS/NZS 11170), choose between Offset or Top Mount handrail.
- AS/NZS 2208 stamp with license No.

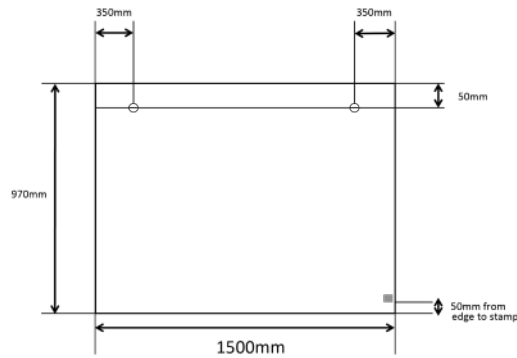
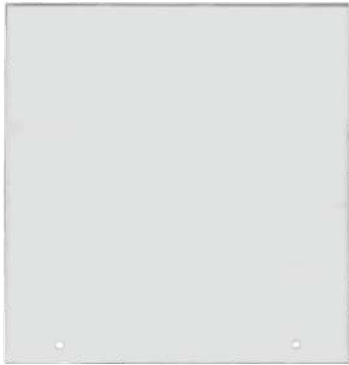
#### PRODUCT CODES:

**GLASS PANEL:** GF-BPANEL-1400

## GLASS PANELS

**\*INCLUDES PRE-DRILLED HOLES**

### 1500MM GLASS BALUSTRADE PANEL



#### SPECIFICATIONS:

- 12mm clear toughened glass
- Heat soaked to EN 14179
- 3mm radius corners
- 14mm holes
- Handrail required (AS/NZS 11170), choose between Offset or Top Mount handrail.
- AS/NZS 2208 stamp with license No.

#### PRODUCT CODES:

**GLASS PANEL:** GF-BPANEL-1500

#### MATERIAL:

**Toughened Safety Glass**

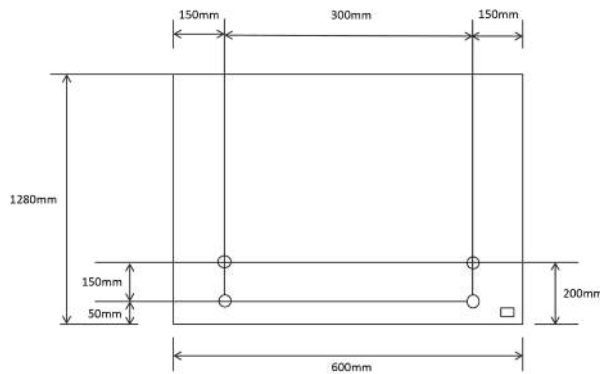
#### DIMENSIONS:

**L1500mm x H970mm x W12mm**

## GLASS PANELS FACE FIXED

**\*INCLUDES PRE-DRILLED HOLES**

### 600MM GLASS BALUSTRADE PANEL - FACE FIXED



#### SPECIFICATIONS:

- 12mm clear toughened glass
- Heat soaked to EN 14179
- 3mm radius corners
- 20mm holes
- Compatible w/ Top-mount Handrail only
- AS/NZS 2208 stamp with license No.

#### PRODUCT CODES:

**GLASS PANEL:** GF-FFPANEL-600

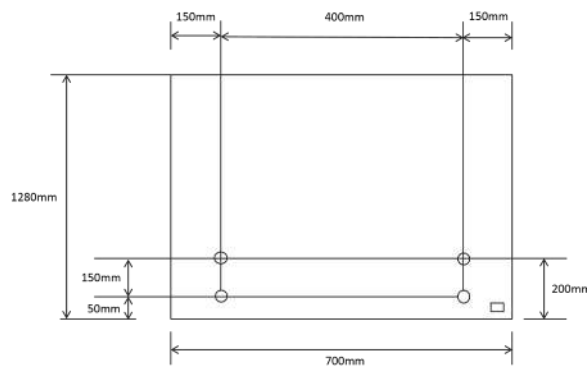
#### MATERIAL:

**Toughened Safety Glass**

#### DIMENSIONS:

**L600mm x H1280mm x W12mm**

### 700MM GLASS BALUSTRADE PANEL - FACE FIXED



#### SPECIFICATIONS:

- 12mm clear toughened glass
- Heat soaked to EN 14179
- 3mm radius corners
- 20mm holes
- Compatible w/ Top-mount Handrail only
- AS/NZS 2208 stamp with license No.

#### PRODUCT CODES:

**GLASS PANEL:** GF-FFPANEL-700

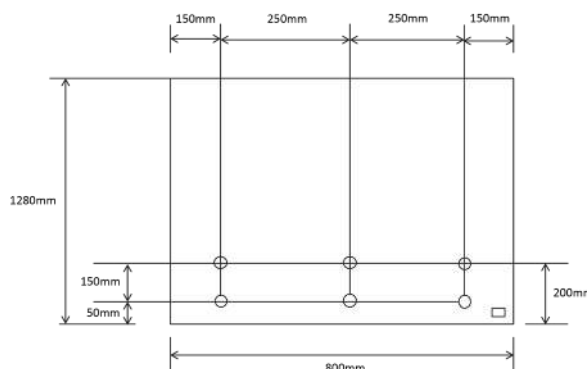
#### MATERIAL:

**Toughened Safety Glass**

#### DIMENSIONS:

**L700mm x H1280mm x W12mm**

### 800MM GLASS BALUSTRADE PANEL - FACE FIXED



#### SPECIFICATIONS:

- 12mm clear toughened glass
- Heat soaked to EN 14179
- 3mm radius corners
- 20mm holes
- Compatible w/ Top-mount Handrail only
- AS/NZS 2208 stamp with license No.

#### PRODUCT CODES:

**GLASS PANEL:** GF-FFPANEL-800

#### MATERIAL:

**Toughened Safety Glass**

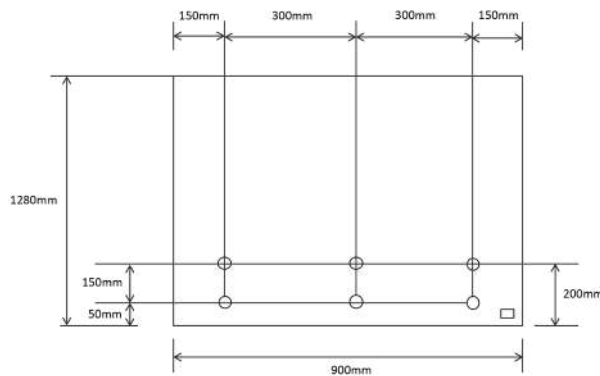
#### DIMENSIONS:

**L800mm x H1280mm x W12mm**

## GLASS PANELS FACE FIXED

\*INCLUDES PRE-DRILLED HOLES

### 900MM GLASS BALUSTRADE PANEL - FACE FIXED



**MATERIAL:**  
Toughened Safety Glass

**DIMENSIONS:**  
L900mm x L1280mm x W12mm

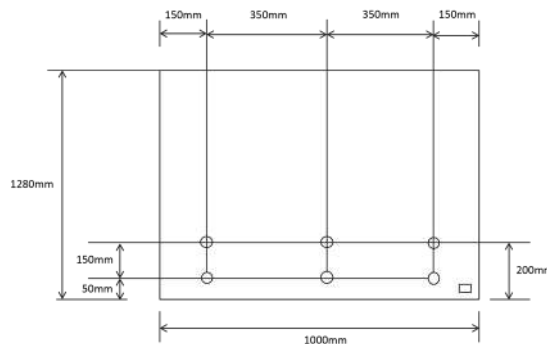
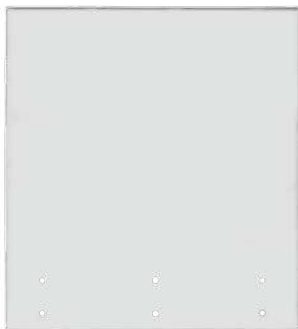
#### SPECIFICATIONS:

- 12mm clear toughened glass
- Heat soaked to EN 14179
- 3mm radius corners
- 20mm holes
- Compatible w/ Top-mount Handrail only
- AS/NZS 2208 stamp with license No.

#### PRODUCT CODES:

**GLASS PANEL:** GF-FFPANEL-900

### 1000MM GLASS BALUSTRADE PANEL - FACE FIXED



**MATERIAL:**  
Toughened Safety Glass

**DIMENSIONS:**  
L1000mm x H1280mm x W12mm

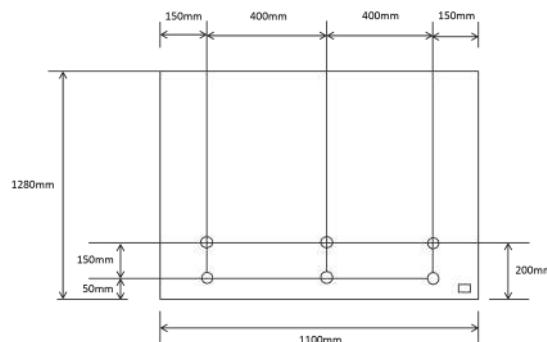
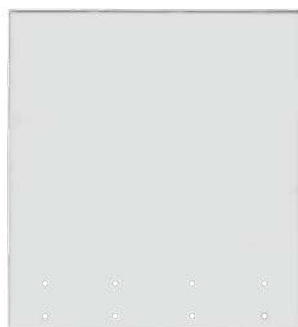
#### SPECIFICATIONS:

- 12mm clear toughened glass
- Heat soaked to EN 14179
- 3mm radius corners
- 20mm holes
- Compatible w/ Top-mount Handrail only
- AS/NZS 2208 stamp with license No.

#### PRODUCT CODES:

**GLASS PANEL:** GF-FFPANEL-1000

### 1100MM GLASS BALUSTRADE PANEL - FACE FIXED



**MATERIAL:**  
Toughened Safety Glass

**DIMENSIONS:**  
L1100mm x H1280mm x W12mm

#### SPECIFICATIONS:

- 12mm clear toughened glass
- Heat soaked to EN 14179
- 3mm radius corners
- 20mm holes
- Compatible w/ Top-mount Handrail only
- AS/NZS 2208 stamp with license No.

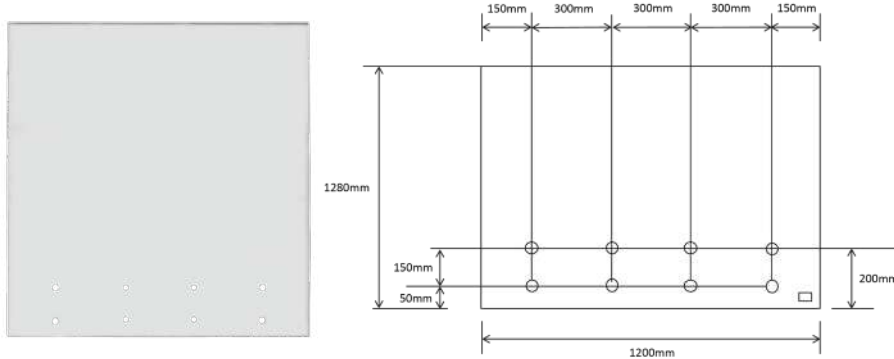
#### PRODUCT CODES:

**GLASS PANEL:** GF-FFPANEL-1100

## GLASS PANELS FACE FIXED

**\*INCLUDES PRE-DRILLED HOLES**

### 1200MM GLASS BALUSTRADE PANEL - FACE FIXED



#### SPECIFICATIONS:

- 12mm clear toughened glass
- Heat soaked to EN 14179
- 3mm radius corners
- 20mm holes
- Compatible w/ Top-mount Handrail only
- AS/NZS 2208 stamp with license No.

#### PRODUCT CODES:

**GLASS PANEL:** GF-FFPANEL-1200

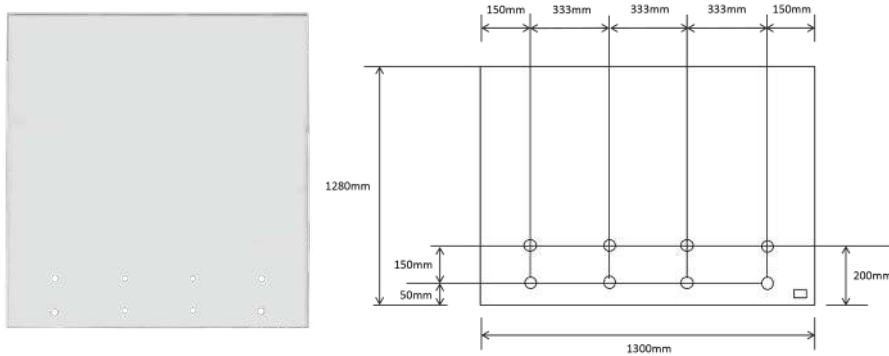
#### MATERIAL:

Toughened Safety Glass

#### DIMENSIONS:

L1200mm x H1280mm x W12mm

### 1300MM GLASS BALUSTRADE PANEL - FACE FIXED



#### SPECIFICATIONS:

- 12mm clear toughened glass
- Heat soaked to EN 14179
- 3mm radius corners
- 20mm holes
- Compatible w/ Top-mount Handrail only
- AS/NZS 2208 stamp with license No.

#### PRODUCT CODES:

**GLASS PANEL:** GF-FFPANEL-1300

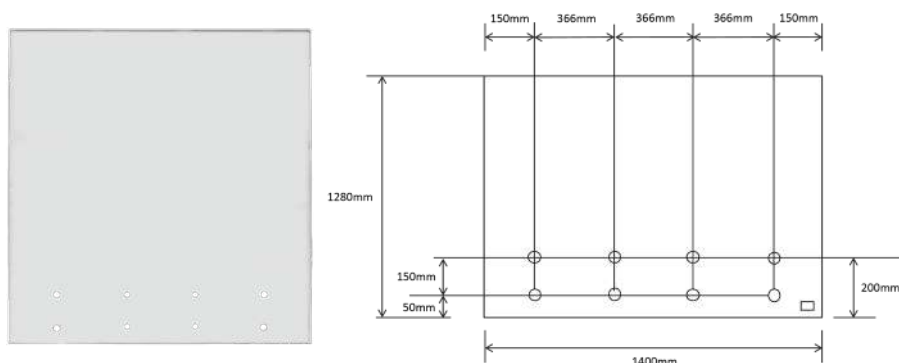
#### MATERIAL:

Toughened Safety Glass

#### DIMENSIONS:

L1300mm x H1280mm x W12mm

### 1400MM GLASS BALUSTRADE PANEL - FACE FIXED



#### SPECIFICATIONS:

- 12mm clear toughened glass
- Heat soaked to EN 14179
- 3mm radius corners
- 20mm holes
- Compatible w/ Top-mount Handrail only
- AS/NZS 2208 stamp with license No.

#### PRODUCT CODES:

**GLASS PANEL:** GF-FFPANEL-1400

#### MATERIAL:

Toughened Safety Glass

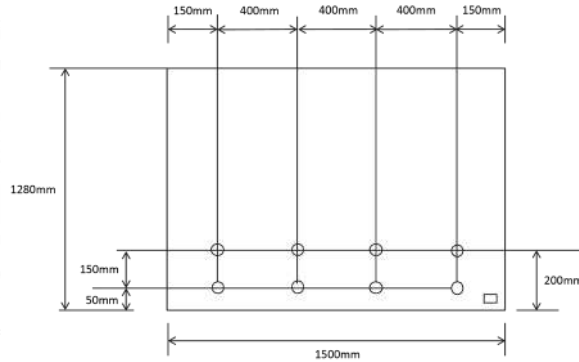
#### DIMENSIONS:

L1400mm x H1280mm x W12mm

## GLASS PANELS FACE FIXED

**\*INCLUDES PRE-DRILLED HOLES**

### 1500MM GLASS BALUSTRADE PANEL - FACE FIXED



#### SPECIFICATIONS:

- 12mm clear toughened glass
- Heat soaked to EN 14179
- 3mm radius corners
- 20mm holes
- Compatible w/ Top-mount Handrail only
- AS/NZS 2208 stamp with license No.

#### PRODUCT CODES:

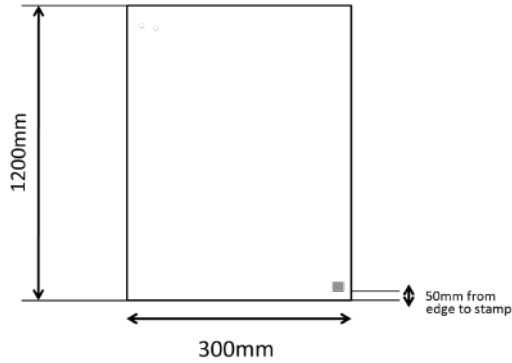
**GLASS PANEL:** GF-FFPANEL-1500

**MATERIAL:**  
Toughened Safety Glass

**DIMENSIONS:**  
L1500mm x H1280mm x W12mm

## GLASS INFILL PANELS

### 300MM GLASS POOL INFILL PANEL



**MATERIAL:**  
Toughened Safety Glass

**DIMENSIONS:**  
L300mm x H1200mm x W12mm

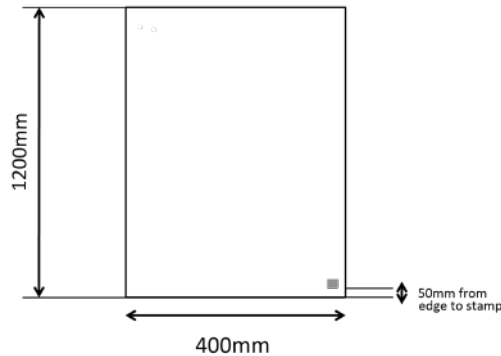
#### SPECIFICATIONS:

- 12mm clear toughened glass
- 3mm radius corners
- AS/NZS 2208 stamp with license No.

#### PRODUCT CODES:

**GLASS INFILL PANEL:** GF-INPANEL-300

### 400MM GLASS POOL INFILL PANEL



**MATERIAL:**  
Toughened Safety Glass

**DIMENSIONS:**  
L400mm x H1200mm x W12mm

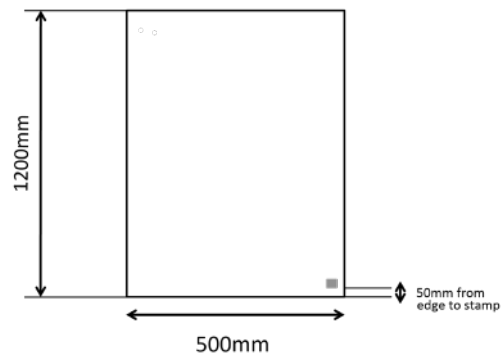
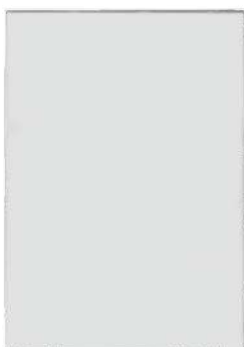
#### SPECIFICATIONS:

- 12mm clear toughened glass
- 3mm radius corners
- AS/NZS 2208 stamp with license No.

#### PRODUCT CODES:

**GLASS INFILL PANEL:** GF-INPANEL-400

### 500MM GLASS POOL INFILL PANEL



**MATERIAL:**  
Toughened Safety Glass

**DIMENSIONS:**  
L500mm x H1200mm x W12mm

#### SPECIFICATIONS:

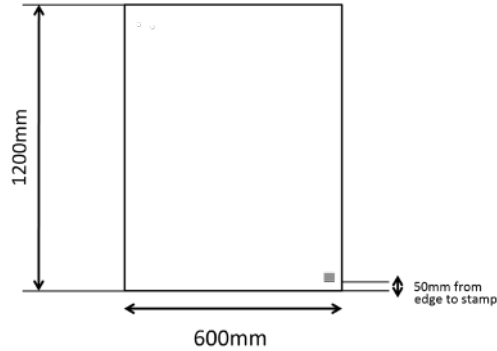
- 12mm clear toughened glass
- 3mm radius corners
- AS/NZS 2208 stamp with license No.

#### PRODUCT CODES:

**GLASS INFILL PANEL:** GF-INPANEL-500

## GLASS INFILL PANELS

### 600MM GLASS POOL INFILL PANEL



**MATERIAL:**  
Toughened Safety Glass

**DIMENSIONS:**  
L600mm x H1200mm x W12mm

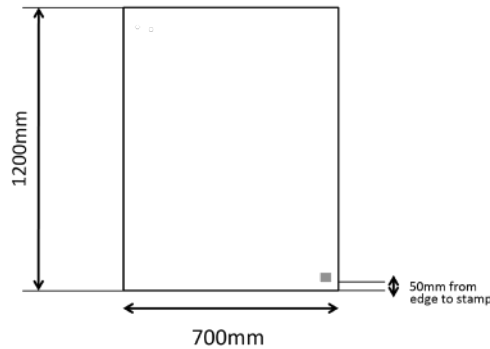
#### SPECIFICATIONS:

- 12mm clear toughened glass
- 3mm radius corners
- AS/NZS 2208 stamp with license No.

#### PRODUCT CODES:

**GLASS INFILL PANEL:** GF-INPANEL-600

### 700MM GLASS POOL INFILL PANEL



**MATERIAL:**  
Toughened Safety Glass

**DIMENSIONS:**  
L700mm x H1200mm x W12mm

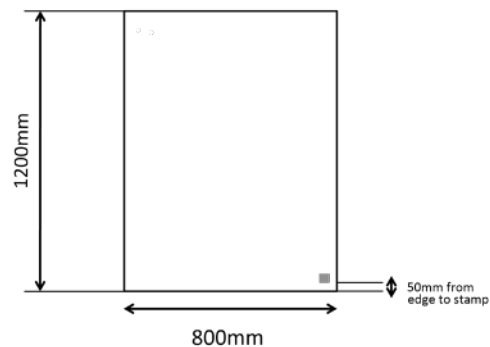
#### SPECIFICATIONS:

- 12mm clear toughened glass
- 3mm radius corners
- AS/NZS 2208 stamp with license No.

#### PRODUCT CODES:

**GLASS INFILL PANEL:** GF-INPANEL-700

### 800MM GLASS POOL INFILL PANEL



**MATERIAL:**  
Toughened Safety Glass

**DIMENSIONS:**  
L800mm x H1200mm x W12mm

#### SPECIFICATIONS:

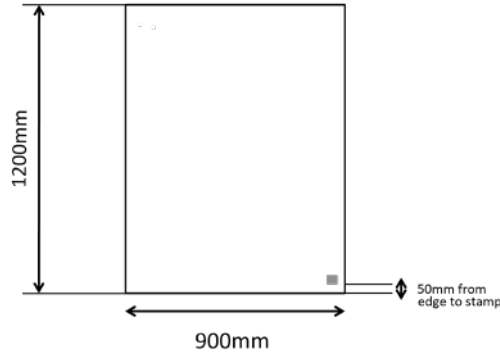
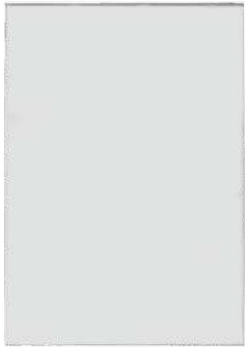
- 12mm clear toughened glass
- 3mm radius corners
- AS/NZS 2208 stamp with license No.

#### PRODUCT CODES:

**GLASS INFILL PANEL:** GF-INPANEL-800

## GLASS INFILL PANELS

### 900MM GLASS POOL INFILL PANEL



**MATERIAL:**  
Toughened Safety Glass

**DIMENSIONS:**  
L900mm x H1200mm x W12mm

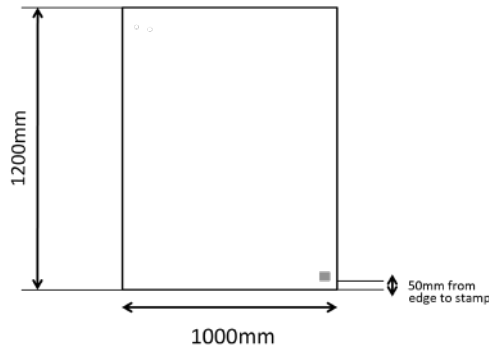
#### SPECIFICATIONS:

- 12mm clear toughened glass
- 3mm radius corners
- AS/NZS 2208 stamp with license No.

#### PRODUCT CODES:

**GLASS INFILL PANEL:** GF-INPANEL-900

### 1000MM GLASS POOL INFILL PANEL



**MATERIAL:**  
Toughened Safety Glass

**DIMENSIONS:**  
L1000mm x H1200mm x W12mm

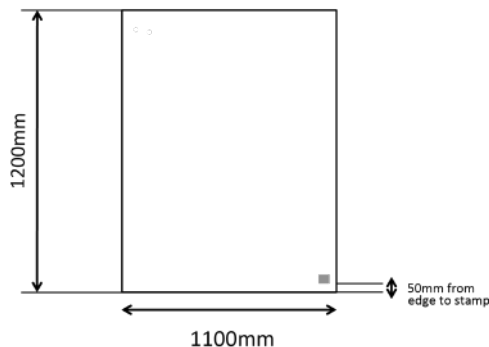
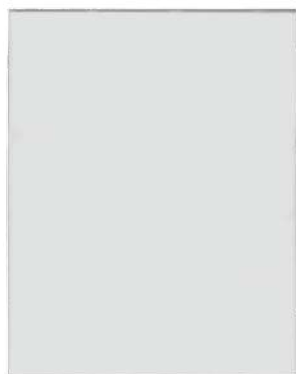
#### SPECIFICATIONS:

- 12mm clear toughened glass
- 3mm radius corners
- AS/NZS 2208 stamp with license No.

#### PRODUCT CODES:

**GLASS INFILL PANEL:** GF-INPANEL-1000

### 1100MM GLASS POOL INFILL PANEL



**MATERIAL:**  
Toughened Safety Glass

**DIMENSIONS:**  
L1100mm x H1200mm x W12mm

#### SPECIFICATIONS:

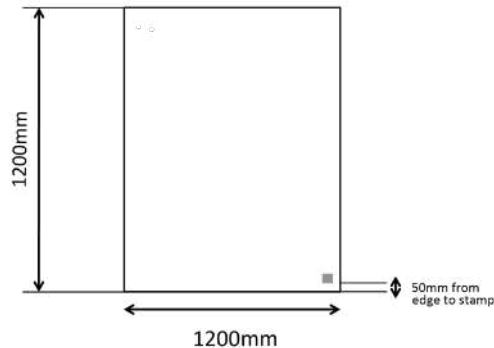
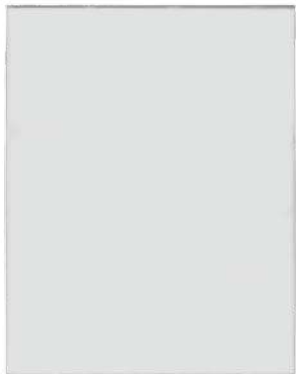
- 12mm clear toughened glass
- 3mm radius corners
- AS/NZS 2208 stamp with license No.

#### PRODUCT CODES:

**GLASS INFILL PANEL:** GF-INPANEL-1100

## GLASS INFILL PANELS

### 1200MM GLASS POOL INFILL PANEL



#### SPECIFICATIONS:

- 12mm clear toughened glass
- 3mm radius corners
- AS/NZS 2208 stamp with license No.

#### PRODUCT CODES:

**GLASS INFILL PANEL:** GF-INPANEL-1200

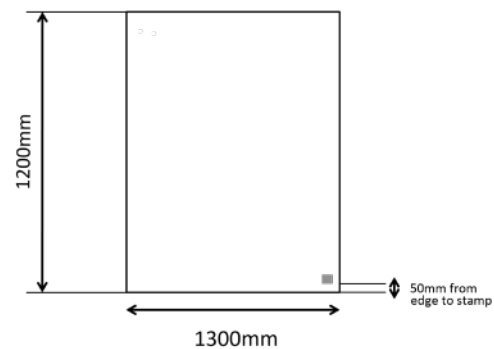
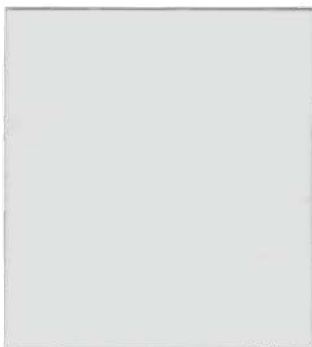
#### MATERIAL:

Toughened Safety Glass

#### DIMENSIONS:

L1200mm x H1200mm x W12mm

### 1300MM GLASS POOL INFILL PANEL



#### SPECIFICATIONS:

- 12mm clear toughened glass
- 3mm radius corners
- AS/NZS 2208 stamp with license No.

#### PRODUCT CODES:

**GLASS INFILL PANEL:** GF-INPANEL-1300

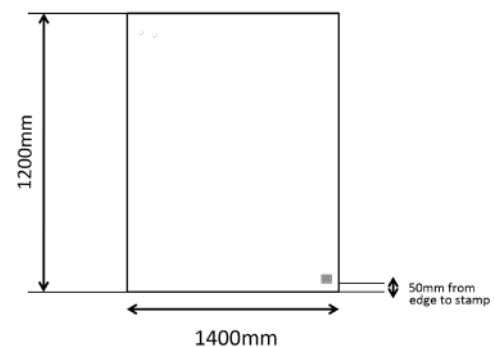
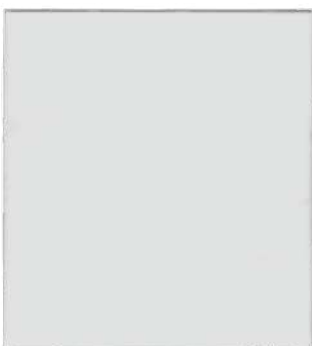
#### MATERIAL:

Toughened Safety Glass

#### DIMENSIONS:

L1300mm x H1200mm x W12mm

### 1400MM GLASS POOL INFILL PANEL



#### SPECIFICATIONS:

- 12mm clear toughened glass
- 3mm radius corners
- AS/NZS 2208 stamp with license No.

#### PRODUCT CODES:

**GLASS INFILL PANEL:** GF-INPANEL-1400

#### MATERIAL:

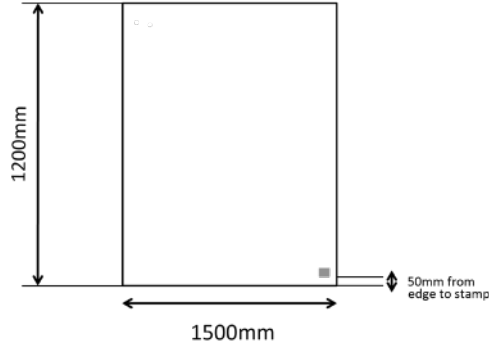
Toughened Safety Glass

#### DIMENSIONS:

L1400mm x H1200mm x W12mm

## GLASS INFILL PANELS

### 1500MM GLASS POOL INFILL PANEL



#### SPECIFICATIONS:

- 12mm clear toughened glass
- 3mm radius corners
- AS/NZS 2208 stamp with license No.

#### PRODUCT CODES:

**GLASS INFILL PANEL:** GF-INPANEL-1500

#### MATERIAL:

**Toughened Safety Glass**

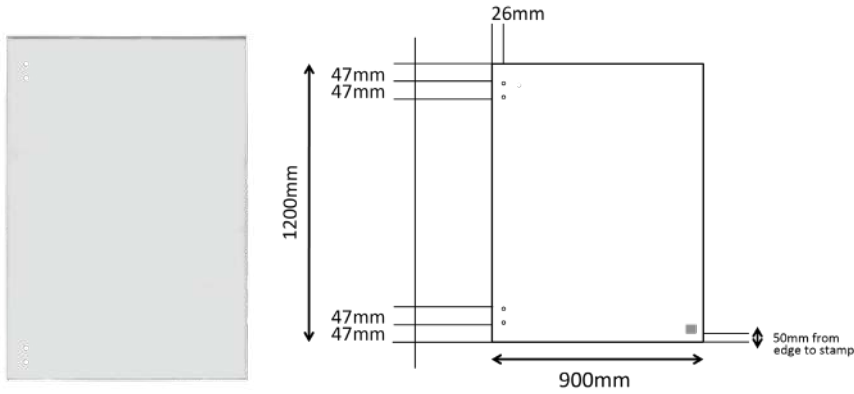
#### DIMENSIONS:

**L1500mm x H1200mm x W12mm**

## GLASS HINGE PANELS

\*INCLUDES PRE-DRILLED HOLES

### 900MM GLASS POOL HINGE PANEL



#### SPECIFICATIONS:

- 12mm clear toughened glass
- 3mm radius corners
- 14mm holes
- AS/NZS 2208 stamp with license No.

#### PRODUCT CODES:

**GLASS HINGE PANEL: GF-HINGEPANEL-900**

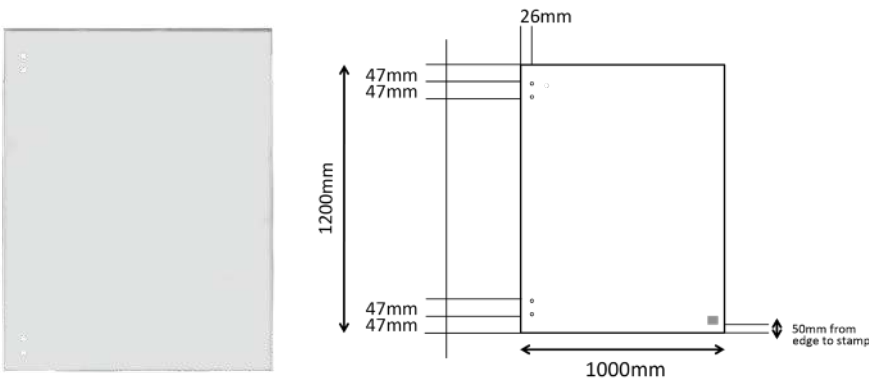
#### MATERIAL:

**Toughened Safety Glass**

#### DIMENSIONS:

**L900mm x H1200mm x W12mm**

### 1000MM GLASS POOL HINGE PANEL



#### SPECIFICATIONS:

- 12mm clear toughened glass
- 3mm radius corners
- 14mm holes
- AS/NZS 2208 stamp with license No.

#### PRODUCT CODES:

**GLASS HINGE PANEL: GF-HINGEPANEL-1000**

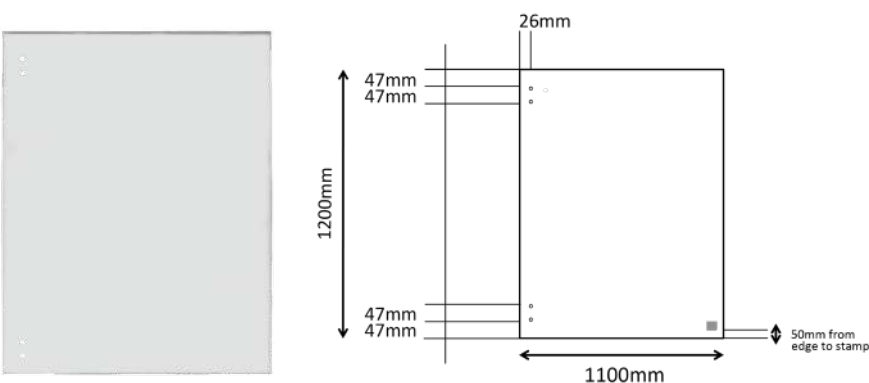
#### MATERIAL:

**Toughened Safety Glass**

#### DIMENSIONS:

**L1000mm x H1200mm x W12mm**

### 1100MM GLASS POOL HINGE PANEL



#### SPECIFICATIONS:

- 12mm clear toughened glass
- 3mm radius corners
- 14mm holes
- AS/NZS 2208 stamp with license No.

#### PRODUCT CODES:

**GLASS HINGE PANEL: GF-HINGEPANEL-1100**

#### MATERIAL:

**Toughened Safety Glass**

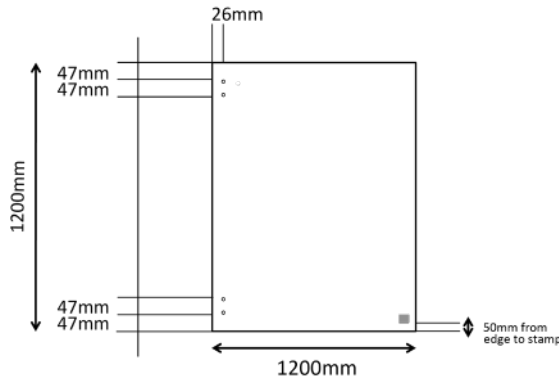
#### DIMENSIONS:

**L1100mm x H1200mm x W12mm**

## GLASS HINGE PANELS

\*INCLUDES PRE-DRILLED HOLES

### 1200MM GLASS POOL HINGE PANEL



#### SPECIFICATIONS:

- 12mm clear toughened glass
- 3mm radius corners
- 14mm holes
- AS/NZS 2208 stamp with license No.

#### PRODUCT CODES:

**GLASS HINGE PANEL:** GF-HINGEPANEL-1200

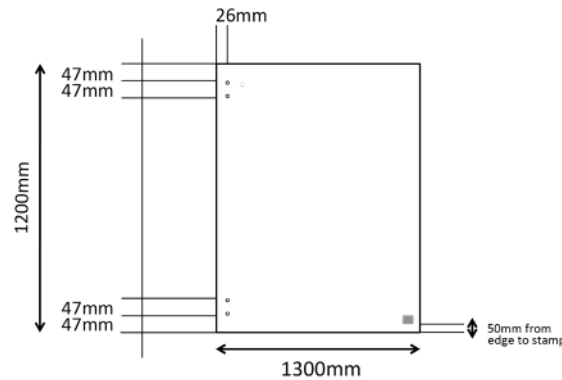
#### MATERIAL:

Toughened Safety Glass

#### DIMENSIONS:

L1200mm x H1200mm x W12mm

### 1300MM GLASS POOL HINGE PANEL



#### SPECIFICATIONS:

- 12mm clear toughened glass
- 3mm radius corners
- 14mm holes
- AS/NZS 2208 stamp with license No.

#### PRODUCT CODES:

**GLASS HINGE PANEL:** GF-HINGEPANEL-1300

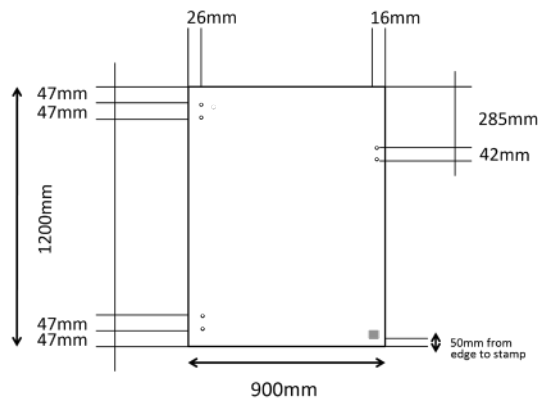
#### MATERIAL:

Toughened Safety Glass

#### DIMENSIONS:

L1300mm x H1200mm x W12mm

### 900MM GLASS GATE PANEL



#### SPECIFICATIONS:

- 12mm clear toughened glass
- 3mm radius corners
- 8mm holes
- AS/NZS 2208 stamp with license No.

#### PRODUCT CODES:

**GLASS GATE:** GF-GATEPANEL-900

#### MATERIAL:

Toughened Safety Glass

#### DIMENSIONS:

L900mm x H1200mm x W12mm