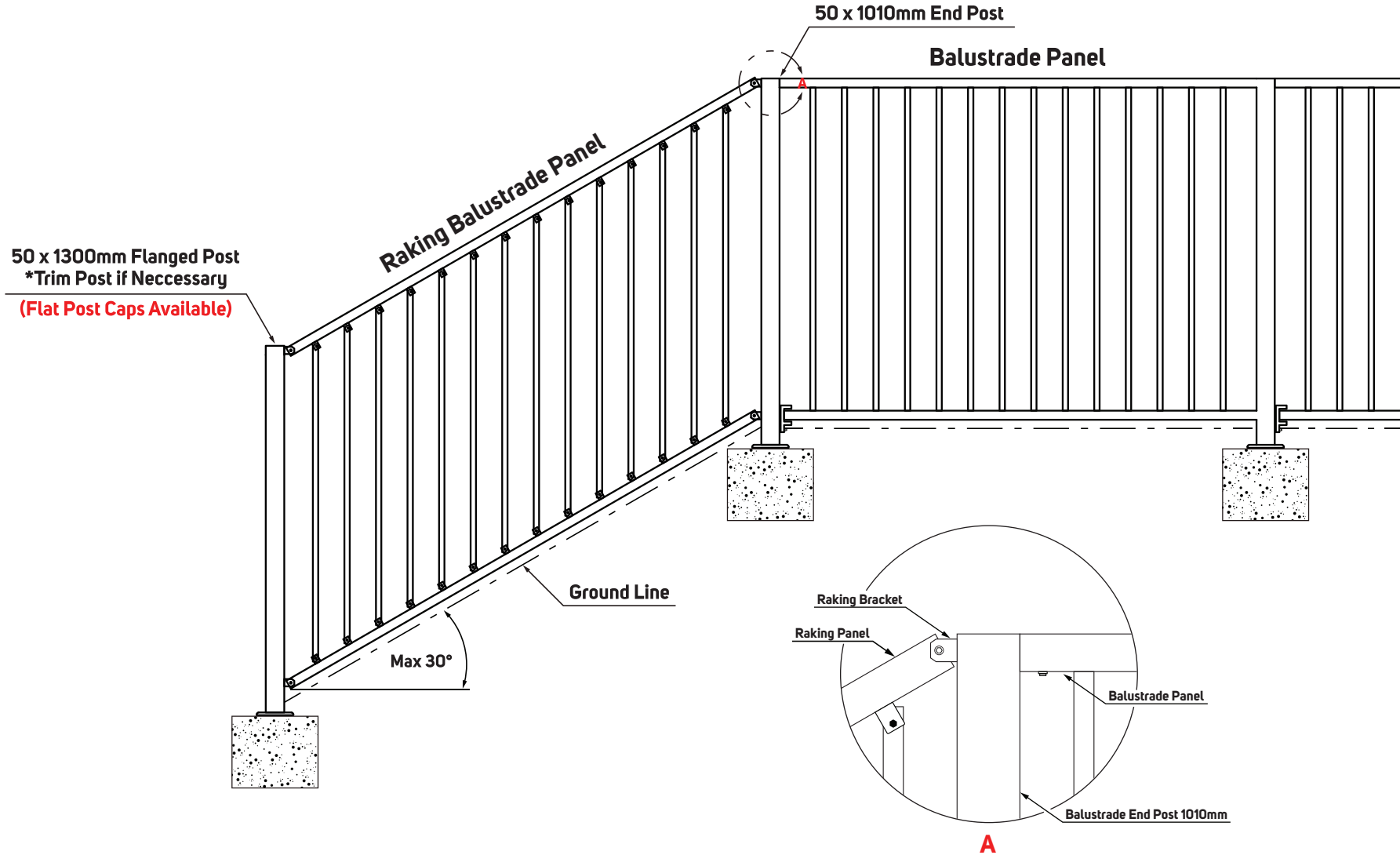
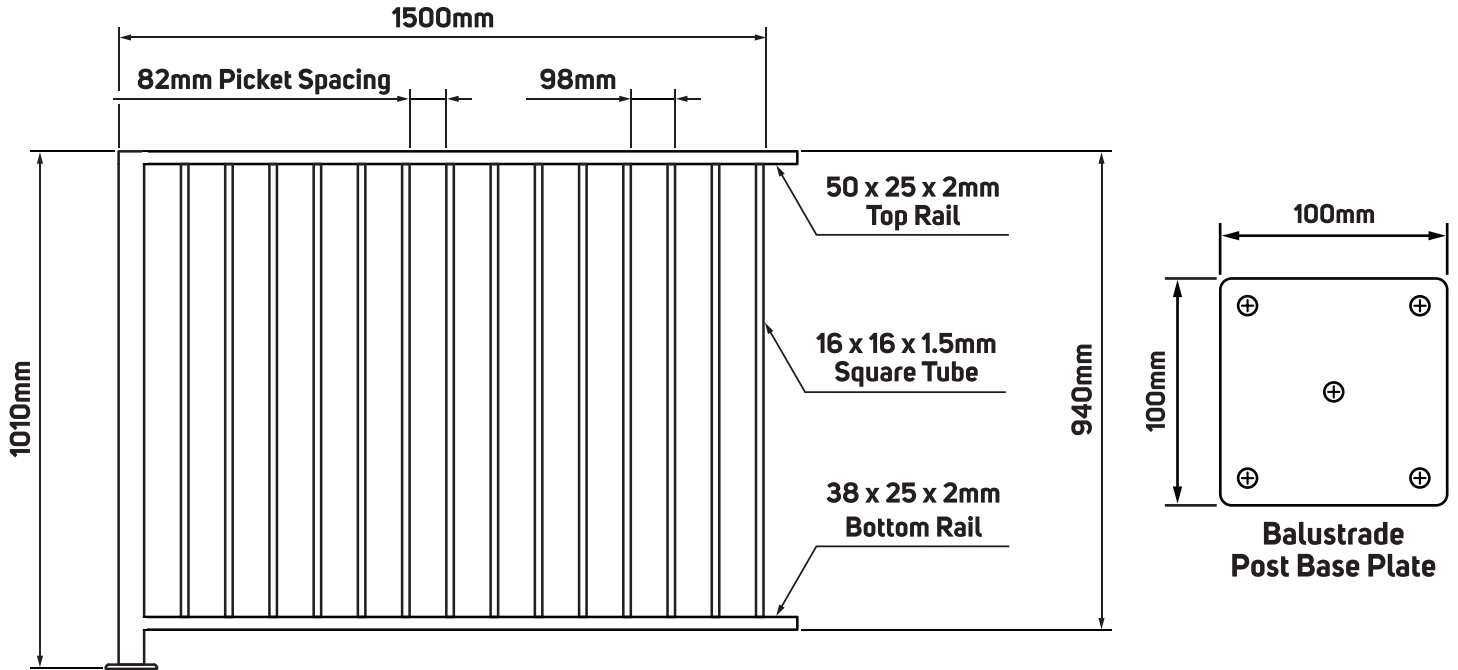
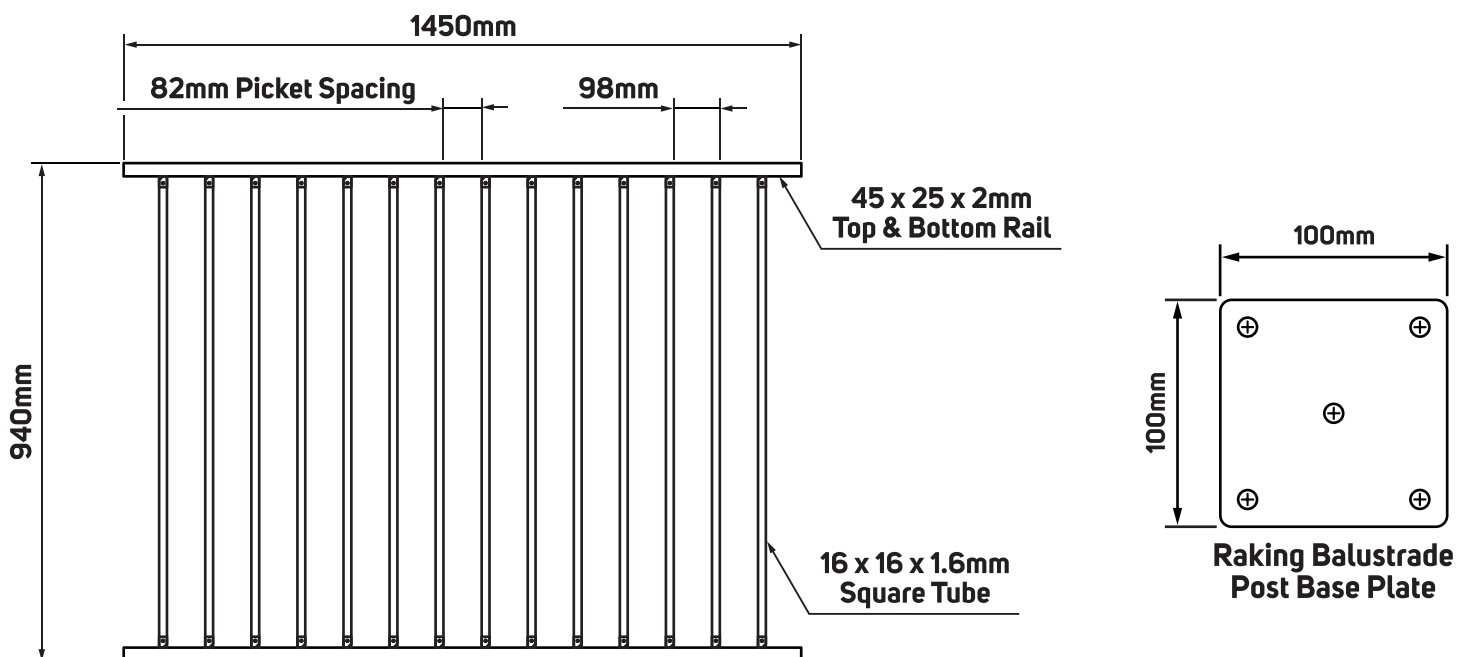


BALUSTRADE & RAKING CONFIGURATION



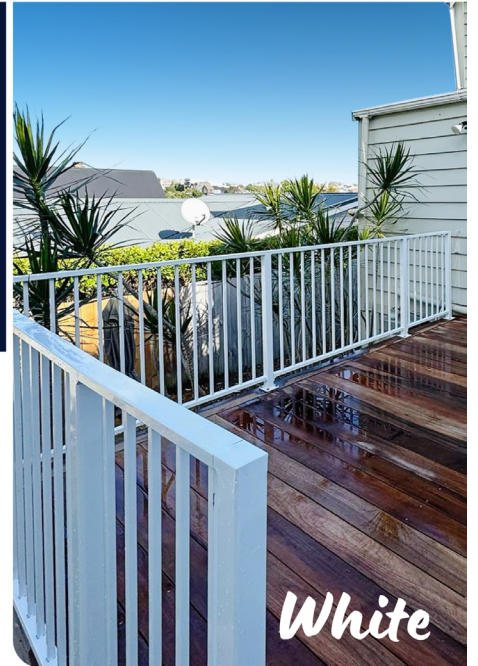
BALUSTRADE PANEL DETAIL**RAKING PANEL DETAIL**

ALUMINIUM BALUSTRADE

Guardian Aluminium Balustrade system provides a safe and cost effective barrier to protect falls from height. Secure angles with confidence. Our Raking panels combined with Guardian aluminium balustrade, deliver a complete, compliant solutions for stairs.

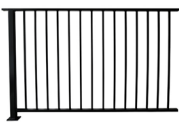
Suitable for use where the fall is greater than 1 metre.

Complies with F4 New Zealand Building Code
(Tested in accordance with AS/NZS 1170 Safety Standards)



BALUSTRADE SYSTEM

BALUSTRADE PANEL WITH JOINER POST



BLACK: NZBALP1500B
WHITE: NZBALP1500W
SIZE: 1500 x 1010mm
VERTICAL SPACING: 82mm
TOP RAIL: 50mm
BOTTOM RAIL: 38mm

BALUSTRADE GATE CONVERTER SET OF 2



BLACK: NZGEBAL1050B
WHITE: NZGEBAL1050W
HEIGHT: 940mm

BALUSTRADE CORNER POST



BLACK: NZBALPC5010B
WHITE: NZBALPC5010W
POST HEIGHT: 1010mm
BASE PLATE: 100 x 100mm

BALUSTRADE 135° CORNER POST



BLACK: NZBALPS5010B
WHITE: NZBALPS5010W
POST HEIGHT: 1010mm
BASE PLATE: 100 x 100mm

BALUSTRADE END POST



BLACK: NZBALPE5010B
WHITE: NZBALPE5010W
POST HEIGHT: 1010mm
BASE PLATE: 100 x 100mm

BOTTOM RAIL PANEL BRACKETS



BLACK: NZUPB438B
WHITE: NZUPB438W
SIZE: 38 x 25mm
QUANTITY: Pack of 4
(Tek Screws Included)

TOP RAIL WALL TIE



BLACK: NZBALPB50B
WHITE: NZBALPB50W
SIZE: 50 x 25mm
QUANTITY: Pack of 2
(Tek Screws Included)

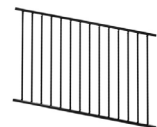
TOP RAIL END CAP



BLACK: NZBALPCAP

BALUSTRADE RAKING SYSTEM

RAKING PANEL



BLACK: NZBALPR1450B
WHITE: NZBALPR1450W
SIZE: 1450 x 940mm
VERTICAL SPACING: 82mm
RAIL WIDTH: 45mm

RAKING BRACKET (Tek Screws Included)



BLACK: NZBALPR50B
WHITE: NZBALPR50W
SIZE: 50mm
QUANTITY: Pack of 4

RAKING FLANGED POSTS



BLACK 1300MM FLANGED: NZBALPR5013B
WHITE 1300MM FLANGED: NZBALPR5013W
POST SIZE: 50 x 50mm (5mm)

ALUMINIUM POST CAPS *Premium Laser Cut Finish*



BLACK: NZAPCBAL5050B
WHITE: NZAPCBAL5050W
SIZE: 50 x 50mm
QUANTITY: Pack of 2

Require Council Consent? Request a PS1

Scan Me

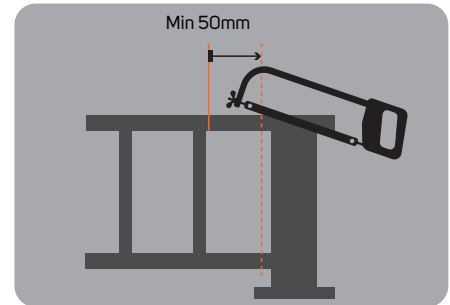


MEASURING AND ORDERING

Measuring your fence correctly is the most vital step to ensure you order the correct materials for the job. This will save you time and money when it comes to installing your new balustrade. Use the fencing planner on the last page of this brochure to plan out your balustrade fencing.

STEP 1 - CUT TO LENGTH

- Mark and cut any panels to the required length using a hack saw.
- When cutting the panel, include an excess of 50mm from an upright panel bracket and to sleeve into the post to allow space for panel bracket or end/corner post sleeve.

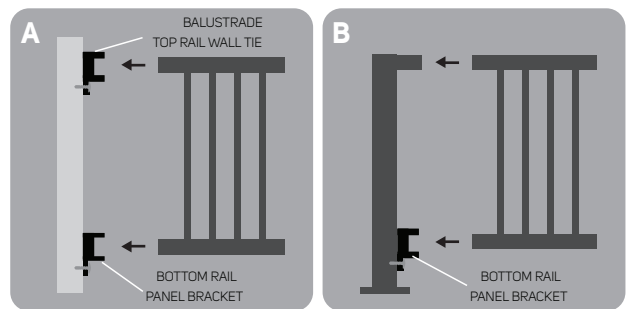


STEP 2 - FIX PANELS TO POST OR WALL

- Fix the first panel securely to either the wall or end post.

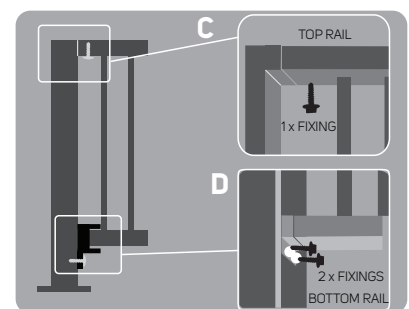
A. Secure to wall using a top rail wall tie and bottom rail panel bracket and appropriate fixings.

B. Secure to end post using a bottom rail panel bracket and tek screws (provided).



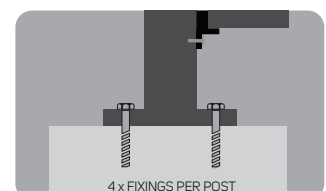
STEP 3 - INSERT & FIX PANELS

- Insert the next panel.
- Fit the panel bracket into on bottom rail before inserting the panel into place.
- Fix the panel into place using tek screws (provided).
- Use 2 tek screws to attach the panel bracket onto the bottom rail (D), and secure the top rail using an additional tek screws (C).
- Repeat with the next panels, ensuring that all panels are fixed in place.



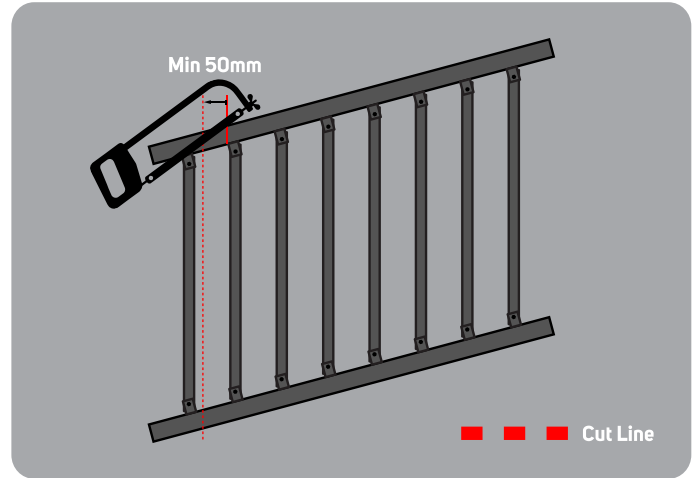
STEP 4 - SECURE POST TO SURFACE

- Secure posts to the floor using appropriate fixings (refer to Fixing Details).
- To finish, fix end post and corner posts as required.



STEP 1 - CUT TO LENGTH

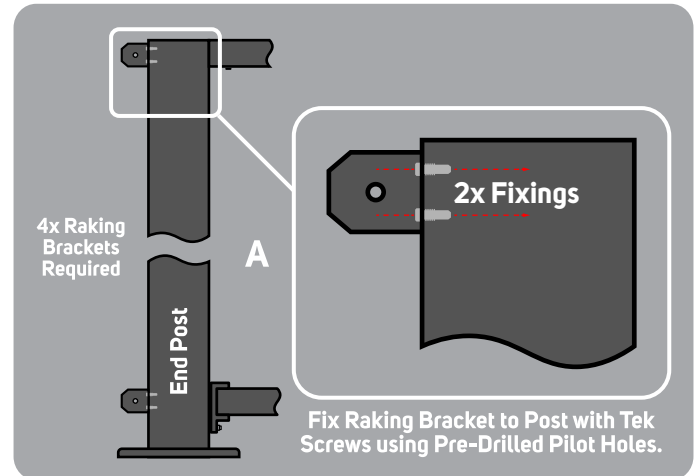
- Mark and cut any panels to the required length using a hack saw.
- When cutting the panel, include an excess of 50mm from an upright panel bracket and to sleeve into the post to allow space for panel bracket or end/corner post sleeve.



STEP 2 - FIX RAKING BRACKET TO POSTS

- Decide on the required raking angle (Max 30°) then position and mark the hole location where the Raking Brackets need to be fixed in place on all posts.
- Drill pilot holes where you have marked the location where the tek screws need to be fixed into place.

A. Secure the Raking Brackets to each post using the tek screws provided and fix in place using an electric screwdriver.



STEP 3 - FIX RAKING PANEL TO POST

- Position and align either ends of the Raking Panel with the Raking Bracket inserts. Mark the hole location where the tek screws will be fixed in place.
- Drill pilot holes where you have marked the location where the tek screws need to be fixed into place. Repeat this for the remaining posts

A. Secure the Raking Panel in place using the tek screws provided and fix in place using an electric screwdriver. Repeat this for the remaining posts.

Note: You may require an additional hand to hold the Raking Panel steady while fixing the panel to the Raking Brackets.

