



Technical and Installation Manual

(Mini MAQ)

Revised 2024

©MAQ Sonar Company
Division of Helo Enterprises
9 Church Street, Finch, ON
Canada K0C 1K0
Phone - 613-984-9000
info@maqsonar.com
www.maqsonar.com

**© 202 MAQ Sonar Company
Division of Helo Enterprises**

**No part of this document may be reproduced
without express written permission
from MAQ Sonar.**

MAQ Sonar is not legally responsible for any errors
or omissions in this document or for any damage or
injury as a result of the operation of the system.

The information contained herein is subject to
change without notice.

**www.maqsonar.com
info@maqsonar.com**

Preface

Note:

MAQ Sonar makes every effort to ensure the information contained within this document is correct. However, our equipment is continuously updated, so we cannot assume liability for errors, which may occur.

Warning:

MAQ Sonar disclaims any responsibility for damage or injury caused by improper installation, use or maintenance of the equipment.

References:

This Technical Manual is intended as a reference only. The information contained in this document is to be used in conjunction with the shipyards own vessel drawings, documentation and engineers. Standards for installation are to be certified by the installing shipyard, engineers and dealers. Further information about MAQ Sonar can be found in the MAQ Sonar Operators Manual.

Manuals:

This manual must be kept aboard the vessel at all times. The information contained herein is subject to change without notice.

Introduction:

The main purpose of this manual is to provide the information and basic drawings required for installation of the MAQ Sonar system. In addition this manual contains technical information which may be required in the future.

The MAQ Sonar electronics is capable of driving three different frequency transducers. This is a generalized manual for all three types of transducers.

Responsibilities:

The installer is responsible for the equipment during the installation. The warranty is only valid when the installation is made in accordance with this manual.

Table of Contents

Chapter 1

Installation requirements.....	1
Components of MAQ Sonar.....	2
Sea-Chest Installation References.....	3
Hoist and Transducer Installation Illustrations.....	5

Chapter 2

Mechanical drawings.....	8
Installation Wiring Diagrams.....	0

Chapter 3

Inclinometer Setup Procedure.....	
-----------------------------------	--

Chapter 4

System Power Up.....	
Initialization Sequence.....	
Screen Layout.....	
Menu Panel.....	
On Screen Display.....	

Chapter 5

System Setup.....	
Preferences.....	
Setting Time.....	
Navigation Setup NMEA Sentences.....	

Chapter 6

Basic Operation.....	
----------------------	--

Chapter 7

TIM Time Panel	
AFL Automatic Fault Locator Panel.....	
NAV Navigation Panel.....	
SYS System Panel	

Chapter 8

Electronic Descriptions.....	
Trouble Shooting Electronics.....	

Chapter 9

Standard Maintenance Checks.....	
EU Declaration of Conformity.....	

Tables and Figures:

Chapter 1

<i>Figure 1</i>	Components of the MAQ Sonar	2
<i>Figure 2</i>	Sea-Chest Location Example.....	3
<i>Table 1</i>	Sea-Chest and Hoist size Listings.....	4
<i>Table 2</i>	Sea-Chest and Hoist size Listings.....	4
<i>Table 3</i>	Sea-Chest and Hoist size Listings.....	4
<i>Figure 3</i>	18" Stroke Hoist Unit.....	5
<i>Figure 4</i>	14" Stroke Hoist Unit.....	5

Chapter 2

<i>Figure 5</i>	Mini MAQ Transducer Pipe	6
<i>Figure 6</i>	8" Bumper Assembly.....	6
<i>Figure 6a</i>	8" Bumper Assembly.....	7
<i>Figure 6b</i>	8" Bumper Assembly.....	7
<i>Figure 7</i>	Transducer Mounted Bumpers	8
<i>Figure 8</i>	6" Sea Chest Flange	8
<i>Figure 9</i>	8" Sea Chest Flange	9
<i>Figure 10</i>	18" Stroke Hoist	9
<i>Figure 11</i>	14" Stroke Hoist	10
<i>Figure 12</i>	Mini MAQ Transceiver Unit	10
<i>Figure 13</i>	Processor Unit.....	11
<i>Figure 14</i>	Joystick Control.....	11
<i>Figure 15</i>	Hoist Control Box.....	12
<i>Figure 16</i>	Trackball Control.....	12
<i>Figure 17</i>	KA3608 Unit	13
<i>Figure 18</i>	KA3608 Wiring Diagram.....	14
<i>Table 4</i>	List of Cables Inside Processor Unit	14
<i>Figure 19</i>	Example of Label.....	14
<i>Figure 20</i>	GPS and RS232 Location.....	15
<i>Figure 21</i>	KA98002 Unit Wiring.....	17
<i>Figure 22</i>	KA98002 Unit Wiring	17
<i>Figure 23</i>	Transducer Connection Inside KA3602 Transceiver Unit.....	18
<i>Table 5</i>	List of Cables Inside Transceiver Unit	18
<i>Figure 24</i>	Ethernet Connection in Transceiver Unit.....	35
<i>Figure 25</i>	KA1831 DC Power Cable.....	36
<i>Figure 26</i>	KA1833 Ethernet Cable.....	36
<i>Figure 27</i>	KA1839 AC Power Cable.....	36
<i>Figure 28</i>	Hoist Control Box.....	37
<i>Table 6</i>	Hoist Control Box Cables.....	37
<i>Figure 29</i>	Control Box Cables.....	37

Chapter 3

Figure 30 Tilt Angle Diagram..... 39

Chapter 4

Figure 31 Joystick Control..... 41
Figure 32 Initialization Screen..... 42
Figure 33 Initialization Failed..... 42
Figure 34 Screen Layout..... 43
Figure 35 Cursor..... 43
Figure 36 Menu Breakdown..... 44
Figure 37 List of on Screen Items..... 45

Chapter 5

Figure 38 Transducer Shield 46
Figure 39 Frequency Adjust..... 46
Figure 40 Display Alignment..... 47
Figure 41 Temperature Adjust..... 47
Figure 42 Inclinometer Type..... 47
Figure 43 Bow Adjust..... 48
Figure 44 Port Adjust..... 48
Figure 45 Bow and Port Adjust..... 48
Figure 46 SYS Panel..... 48
Figure 47 Operating Language 49
Figure 48 Range Units..... 49
Figure 49 Display Panel..... 49
Figure 50 Year Select 50
Figure 51 Month Select 50
Figure 52 Day Select 50
Figure 53 Hour Select..... 50
Figure 54 Minute Select 50
Figure 55 KA1896 Terminal Strip..... 51
Figure 56 GPS Terminal..... 51
Figure 57 RS232 Terminal..... 51

Chapter 6

Figure 58 OPR Panel..... 52
Figure 59 Transducer Beam Graphic..... 52
Figure 60 DIS Panel..... 53

Chapter 7

Figure 61 Year Select 54
Figure 62 Month Select 54
Figure 63 Day Select 54
Figure 64 Hour Select..... 54
Figure 65 Minute Select 54

<i>Figure 66</i>	Software Revisions.....	55
<i>Figure 67</i>	I/O Selection.....	55
<i>Figure 68</i>	Process Message Select.....	55
<i>Figure 69</i>	Menu Lock	56
<i>Figure 70</i>	Receive Test.....	56
<i>Figure 71</i>	Element Test	56
<i>Figure 72</i>	Element Test 1-8.....	56
<i>Figure 73</i>	Inclinometer Test.....	57
<i>Figure 74</i>	Audio Selection.....	57
<i>Figure 75</i>	Far Gain Spreading Loss	57
<i>Figure 76</i>	Navigation Panel.....	58
<i>Figure 77</i>	Navigation Panel Example.....	58
<i>Figure 78</i>	Cursor Bearing Select.....	59
<i>Figure 79</i>	Navigation Mode Select.....	59
<i>Figure 80</i>	Bow Up Display	59
<i>Figure 81</i>	North Up Display.....	59
<i>Figure 82</i>	Heading Selection.....	60
<i>Figure 83</i>	Speed Selection.....	60
<i>Figure 84</i>	Longitude/Latitude Selection.....	60
<i>Figure 85</i>	Wind Speed Indicator.....	60
<i>Figure 86</i>	Wind Speed Indicator	60
<i>Figure 87</i>	Net Height Adjust Selection.....	60
<i>Figure 88</i>	Net Indicator.....	60
<i>Figure 89</i>	Wake Trail Display.....	61
<i>Figure 90</i>	Display Alignment.....	62
<i>Figure 91</i>	Inclinometers Type Selection.....	62
<i>Figure 92</i>	Bow Adjust.....	63
<i>Figure 93</i>	Inclinometer Tilt Display.....	63
<i>Figure 94</i>	System Panel.....	63
<i>Figure 95</i>	Port Adjust.....	63
<i>Figure 96</i>	Frequency Adjust.....	64
<i>Figure 97</i>	Temperature Adjust.....	65
<i>Figure 98</i>	Transducer Shield.....	65
<i>Figure 99</i>	Maximum Vessel Speed.....	65
<i>Figure 100</i>	COM Port Select.....	65
<u>Chapter 8</u>		
<i>Figure 101</i>	KA3608 Processor Unit.....	66
<i>Figure 102</i>	KA3602 Transceiver Unit.....	67

CHAPTER 1

Operation Panel

Mode of Operation

Operator Panel

Installation Requirements

- I. **Approvals:** Sea-Chest installations must be approved on a case-by-case basis with regard to the vessel's national registry and corresponding maritime authority. The ship owner and shipyard performing the installation are responsible for obtaining installation approval.
- II. **Power supply:** For the Processor Units AC power we recommend the use of an Uninterruptible Power Supply (UPS). The UPS should have the ability to maintain power for 10 minutes; this allows shut off of the equipment in the case of an AC power failure. This also prevents shut off due to power surges/loses due to other vessel equipment. Many Vessels are equipped with AC inverters. These must be Pure Sine inverters with sufficient power to support the system. Hoist DC power must be supplied from Vessel Power sources. The 22KHz hoist will also require 230 or 440VAC 3 phase power for the motor.
- III. **Dry Dock:** Ensure proper clearance under Sea-Chest for sonar installation. Avoid placing supporting blocks in the area of the Sea-Chest. In the *Note* section of this manual, log the position of the Sea-Chest for future reference.
- IV. **Wiring:** All cables must be supported or protected along its entire length. Conduit or cable trays should be used. Cables must be installed so as not to run in the areas of high-power supplies, antenna cables or other sources of interference.
- V. **Vibration:** Vibration on any of the equipment's must be monitored. Excessive vibration will require dampeners to be installed. Improper installation on Transducer Guides can result in Flow related vibration.
- VI. **Temperature and Humidity:** All equipment, unless otherwise specified, must be protected from extremes in temperature and humidity.
- VII. **Warranty:** The warranty is only valid when the installation is made in accordance with this manual. Note that the Warranty Registration Card must be returned by the vessel to MAQ SONAR within 30 days of the installation to be validated.

Components of the MAQ Sonar System

Computer interface unit (Processor) with Joystick unit. (An optional Keypad Control is Available)

Hoist with Hoist Control unit (60 KHz and 90 KHz unit the same hoist system)

Transceiver Unit

Optional RDT Transmitter Unit (not Shown)

Transducer (90 KHz, 60 KHz or 22 KHz)

Monitor (not supplied by MAQ Sonar)

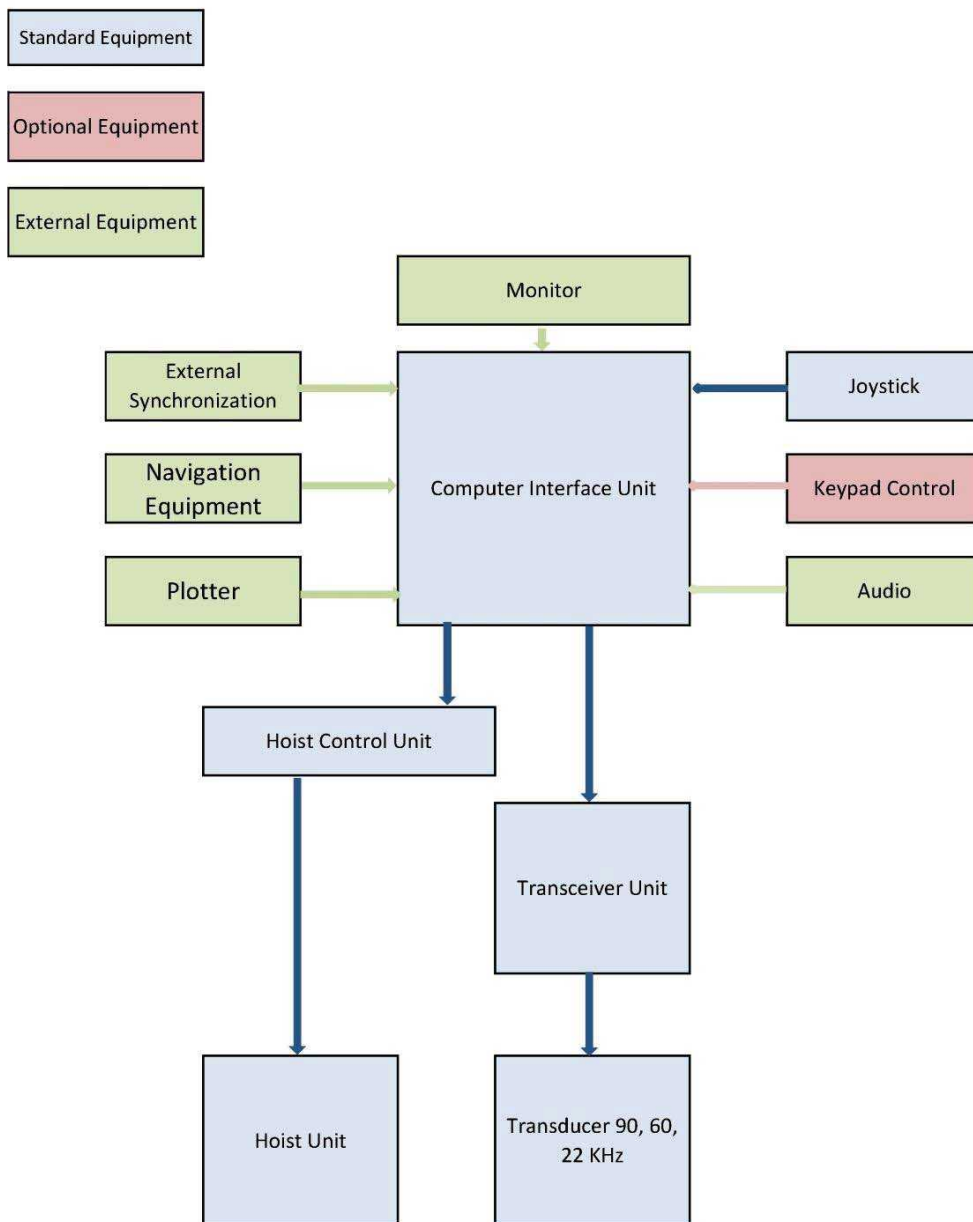


Figure 1 : Components of a MAQ Sonar

Sea-Chest Installation References

Approvals:

Sea-Chest installations must be approved on a case-by-case basis with regard to the vessel's national registry and corresponding maritime authority. The ship owner and shipyard performing the installation are responsible for obtaining installation approval.

Dry Dock:

Ensure proper clearance under Sea-Chest for Sonar installation. Avoid placing supporting blocks in the area of the Sea-Chest. Ensure you record the position of the Sea-Chest for future reference. Sonar have been installed in existing Sea-Chest without placing the vessel in Dry Dock but this is at the discretion of the vessel owners and Dealers.

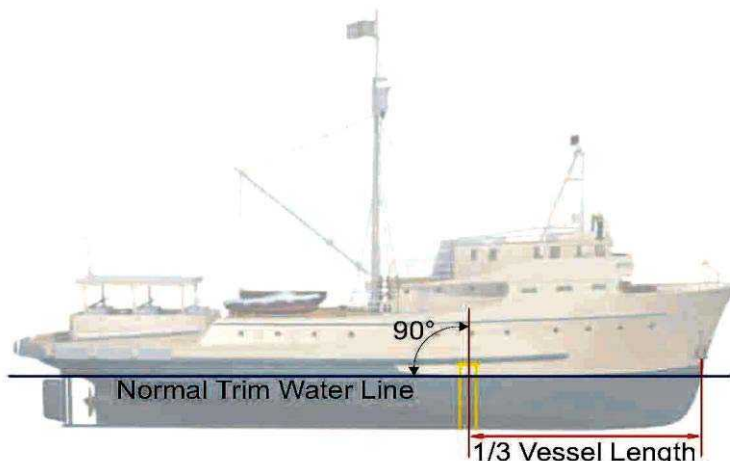
Sea-Chest:

MAQ Sonar is one of the simplest and fastest Omni Sonar to install. This Sonar was designed to fit on vessels with existing Sea-Chests and can be installed in as little as one day.

The Sea-Chest is probably the most important consideration when installing Sonar. For best performance the transducer must extend properly out of the Sea-Chest in order that the active face is fully exposed (Short Stroke). When it is extended farther below the keel it will not be exposed to air bubbles which may be driven under the vessel which will reduce Sonar performance (Long Stroke). Many vessels do not have an issue with air bubbles from the Bow of the vessel and short stroke installations are more than adequate.

The recommended location for the Sea-Chest is 1/3 of the vessel length from the Bow and as close to the keel as possible. For assistance Please contact the factory tech@maqsonar.com.

There are several other considerations for locating a Sea-Chest. When the vessel is already equipped with Sonar this Sonar may extend in front of or next to the MAQ. If the equipment is in the line of sight of the MAQ they will create a shadow or block the detection of the Sonar in this direction.



Although MAQ Sonar will fit in any 8" (90KHz and 60KHz) or 18" (22KHz) Sea-Chest, Sea-Chest extensions may have to be added to accommodate the MAQ.

Figure 2 : Example of Sea-Chest Location

It is critical that the I.D. of a Sea-Chest extension matches the original Sea-Chest I.D. and that the extension is aligned properly with the original Sea-Chest.

Before installing the Sea-Chest or Sonar it is IMPORTANT to measure the angle of a vessel during typical search and catch situations as well as pitch and Roll measurements. Sea-Chests, that were angled as much as 10° off the typical vessel angles during standard Sonar operation have been observed in the past. This will make operation of OMNI Sonar very difficult and also reduces performance greatly.

These issues should all be considered on installations in new or existing Sea-Chests.

Sea Chest and Hoist Size Listings:

Table 1

MODEL	60/90kHz	MiniMAQ 90kHz
Sea Chest Size	8"	6"
Inside Diameter Sea Chest Pipe	7.625" (194mm) to 7.981" (203mm)	6.065 (154mm)

Table 2

FLANGE	60/90kHz	Mini MAQ 90kHz
Outside Diameter	13.7" (348mm)	11" (279mm)
Bolt Circle Diameter	11.7" (297mm)	9.45" (240mm)
Flange Hole Diameter	0.875" (22mm)	0.875" (22mm)
Number of Holes	8	8
Mounting Bolts	60/90KHz 3/4"-10 x 3" SS M18-2.5 x 70mm SS	60/90KHz 3/4"-10 x 3" SS M18-2.5 x 70mm SS

Table 3

HOIST	Mini MAQ 90kHz	Short Stroke
Stroke	14" (356mm)	18" (457mm)
Hoist Height Above Flange	2 " (7 mm)	40" (1016mm)

CONSULT FACTORY FOR MINIMUM SEA CHEST LENGTHS AS SHORT SEA CHEST MAY CAUSE EXCESSIVE VIBRATION. CONSULT FACTORY WITH SEA CHEST DIMENSIONS FOR APPROVAL.

Grounding and Zinc Anodes:

NOTE: MAQ Sonar's Transducer Pipe, Transceiver and Processor Units must be electrically connected to the ships main ground. Zinc Anodes must be installed on Transducer pipes and inspected and replaced yearly. Poor grounding will cause excessive zinc erosion.

Hoist and Transducer Installation Illustrations:

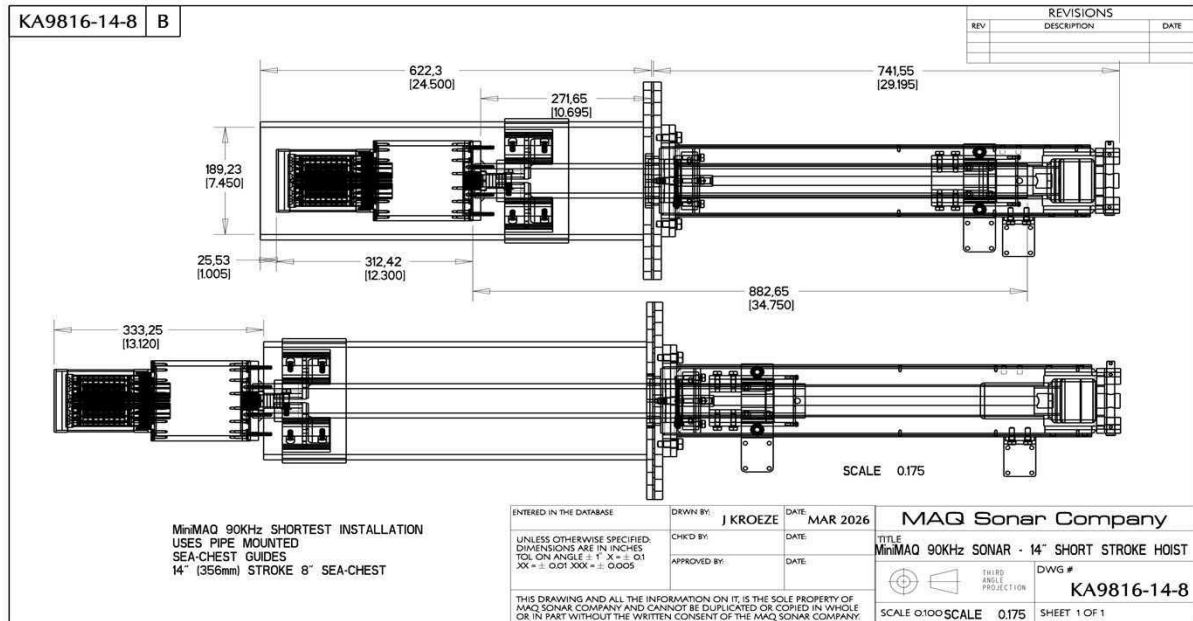


Figure 3: 1 "Stroke Hoist Unit

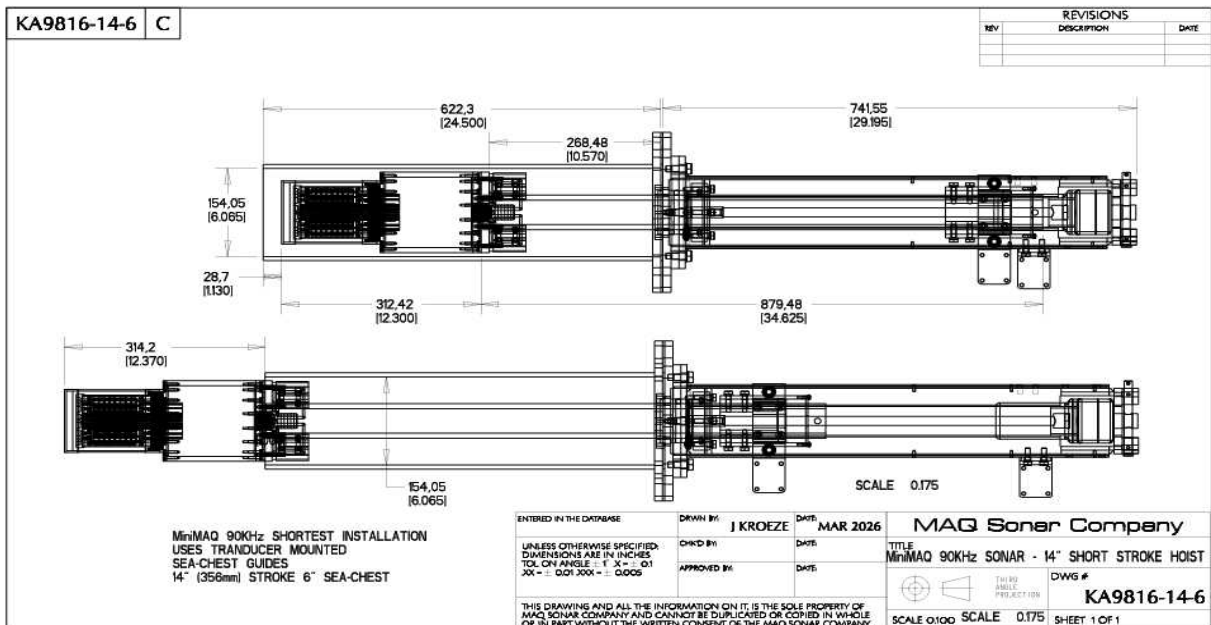


Figure 4: 14" Stroke Hoist Unit

CHAPTER 2

Drawings and Illustrations

Mechanical Drawings

Installation Wiring Diagram

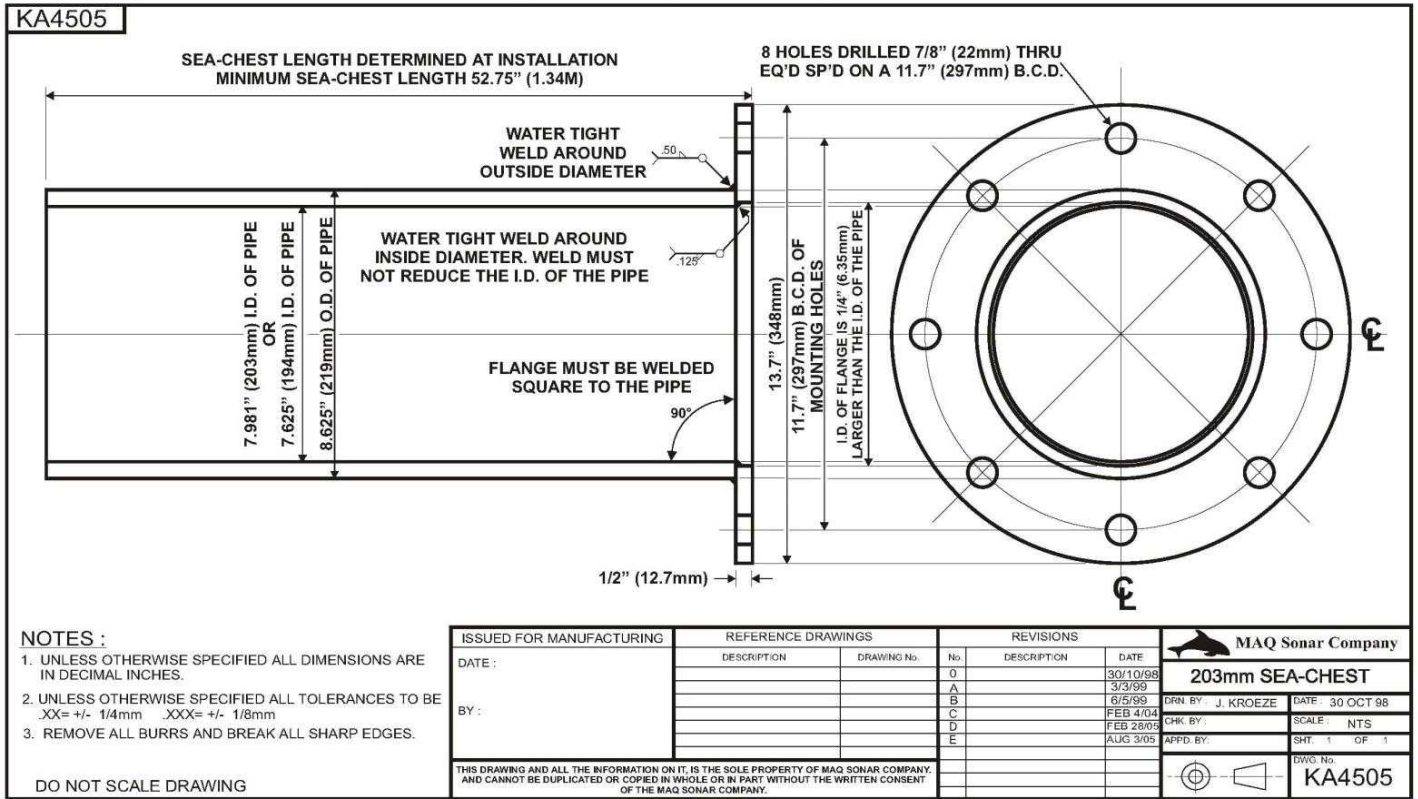


Figure 8 : 8" Sea-Chest (24.5" minimum for MiniMAQ)

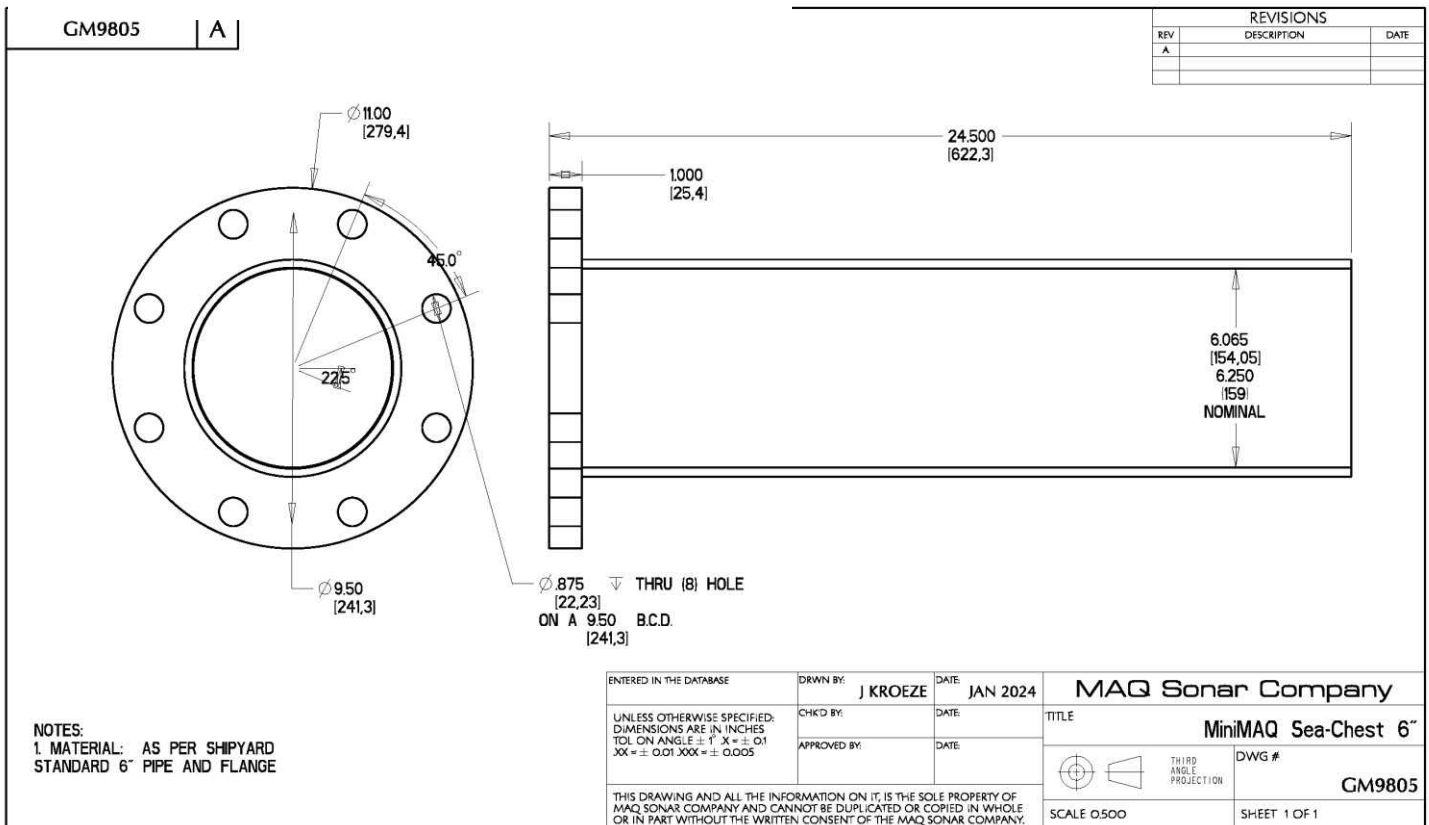
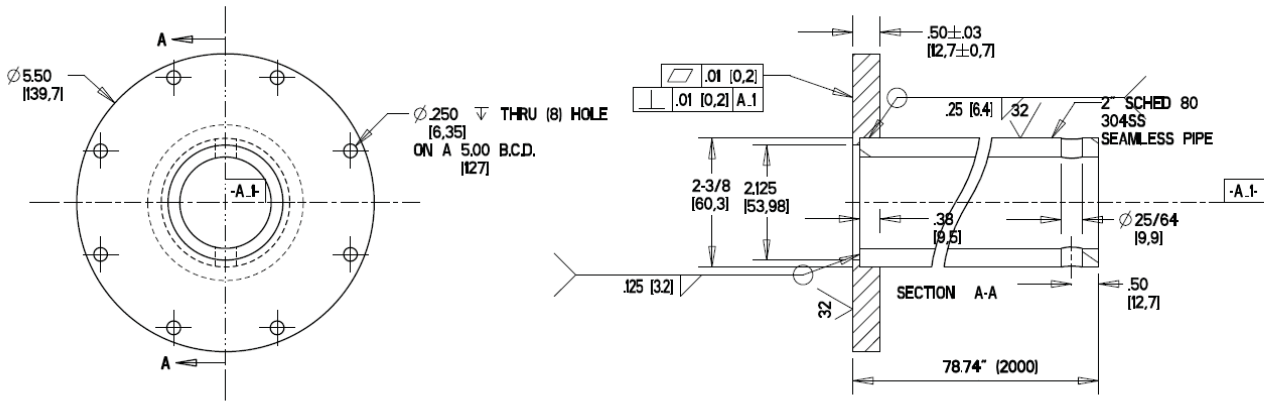


Figure 8 : 6" Sea-Chest

GM9801-SCH80-2M A

REVISIONS		
REV	DESCRIPTION	DATE
A		FEB 7/24



- NOTES:
 1. MATERIAL: 2" SEAMLESS PIPE SCHEDULE 80 ALL 304 STAINLESS STEEL
 2. REMOVE ALL BURRS AND SHARP EDGES

ENTERED IN THE DATABASE	DRWN BY: J KROEZE	DATE: FEB 7/24	MAQ Sonar Company	
UNLESS OTHERWISE SPECIFIED: DIMENSIONS ARE IN INCHES TOL ON ANGLE ± 1° X = ± 0.1 XX = ± 0.01 XXX = ± 0.005	CHKD BY:	DATE:	TITLE: MiniMAQ TRANSDUCER PIPE SCH80 2m	
	APPROVED BY:	DATE:	THIRD ANGLE PROJECTION	DWG # GM9801-SCH80-2M
THIS DRAWING AND ALL THE INFORMATION ON IT IS THE SOLE PROPERTY OF MAQ SONAR COMPANY AND CANNOT BE DUPLICATED OR COPIED IN WHOLE OR IN PART WITHOUT THE WRITTEN CONSENT OF THE MAQ SONAR COMPANY.			SCALE 0.500	SHEET 1 OF 1

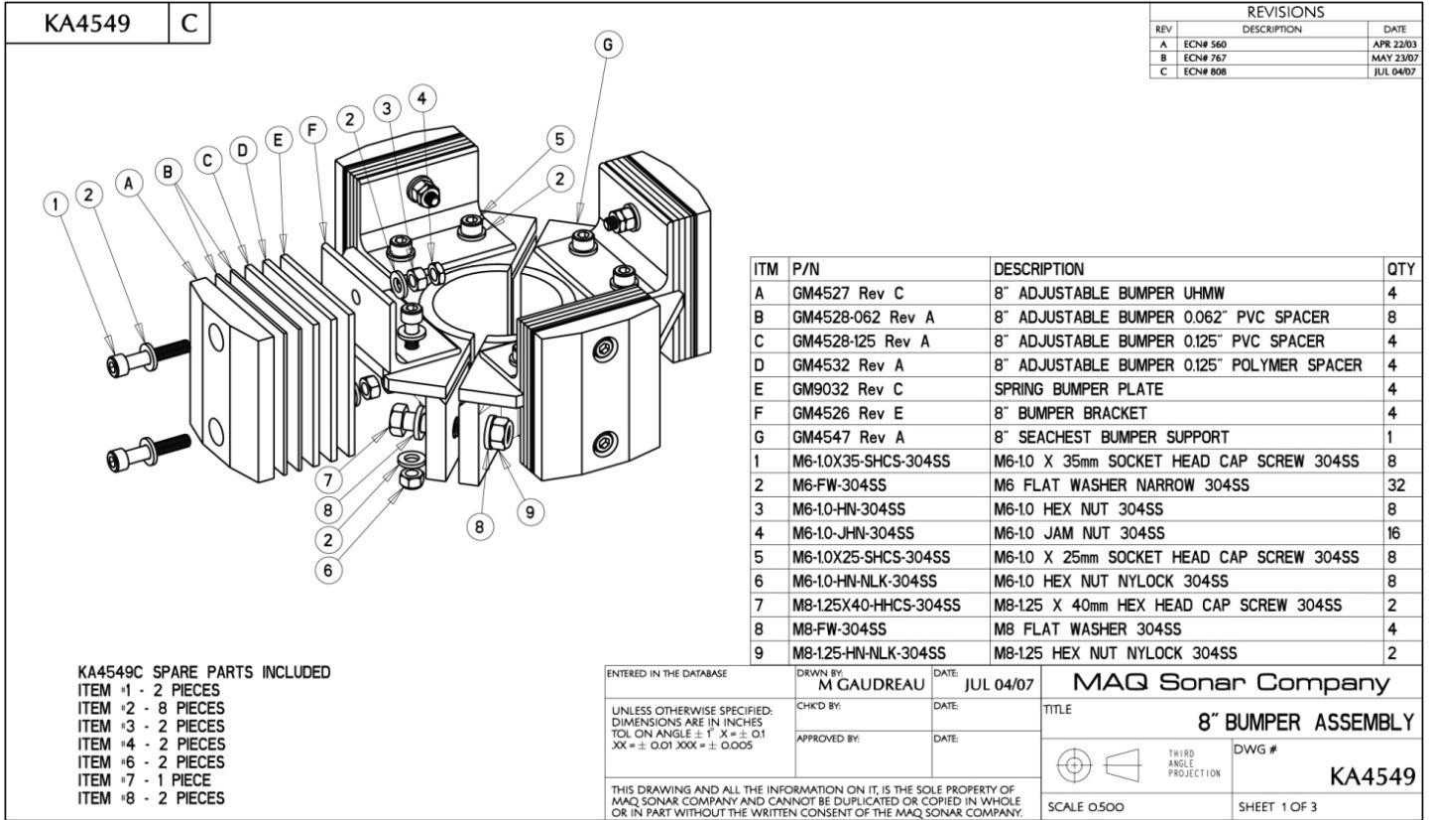


Figure 12 : 60/90kHz Sea-Chest Guides

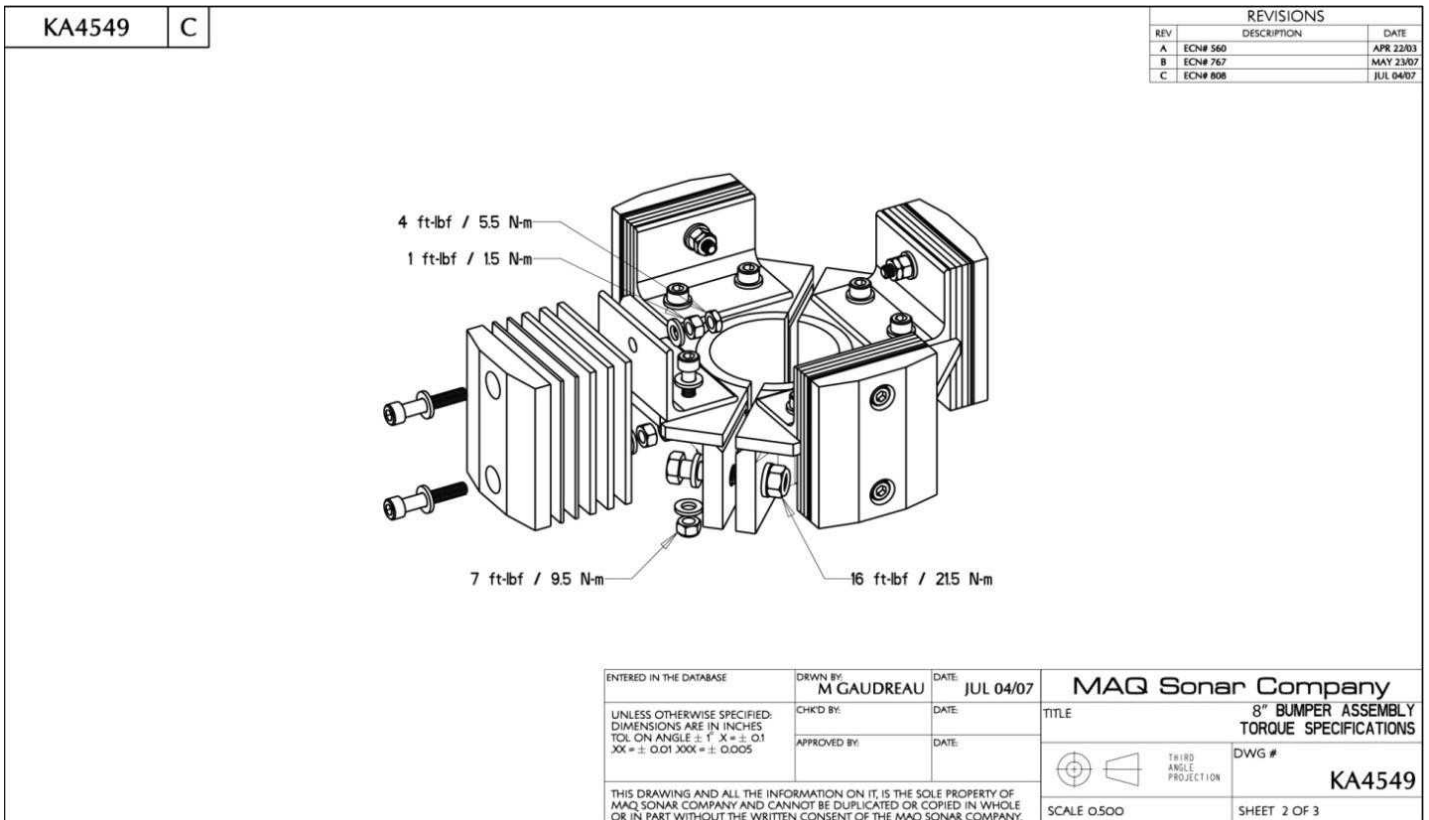


Figure 13 : 60/90kHz Sea-Chest Guides

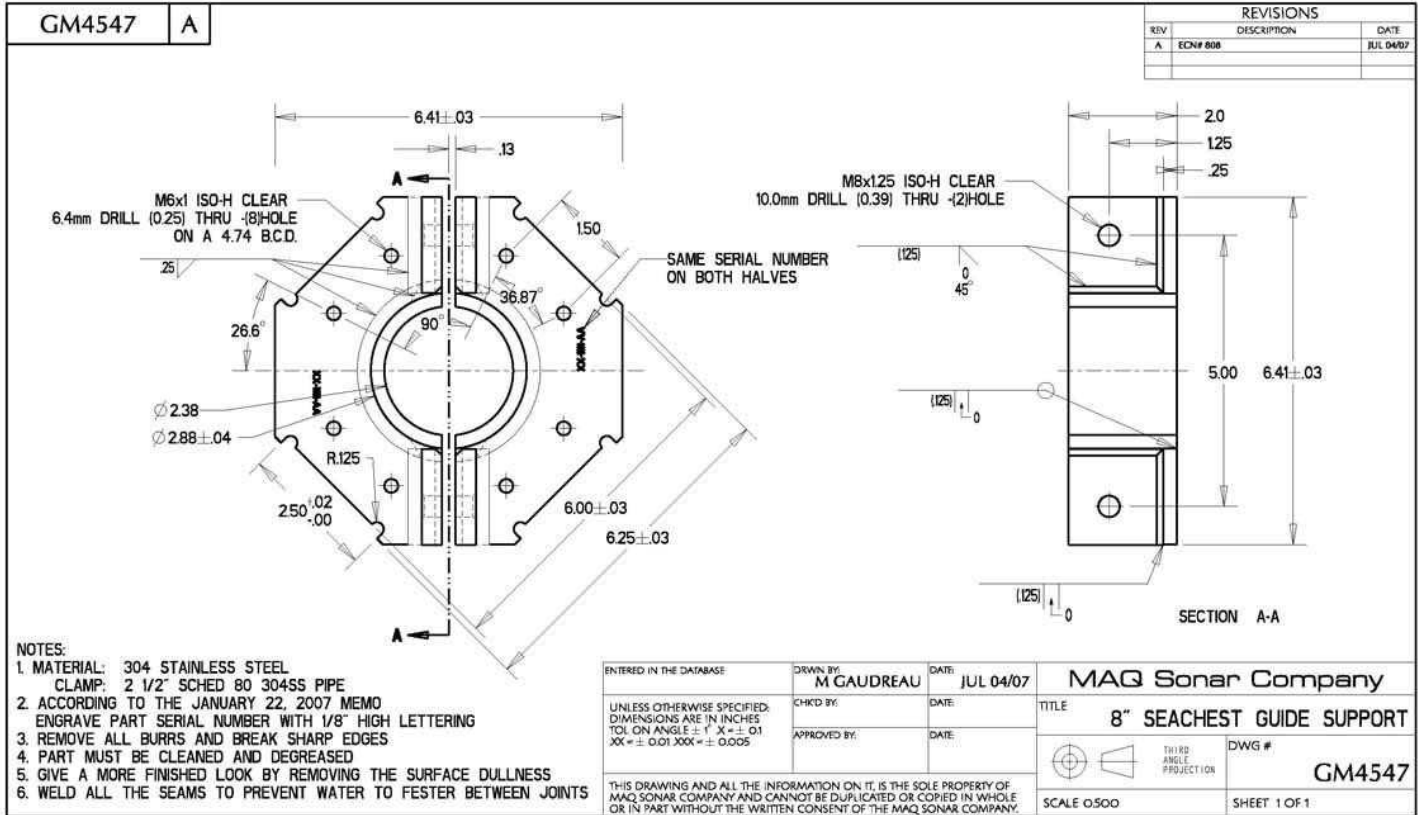


Figure 14 : 60/90kHz Guide Support

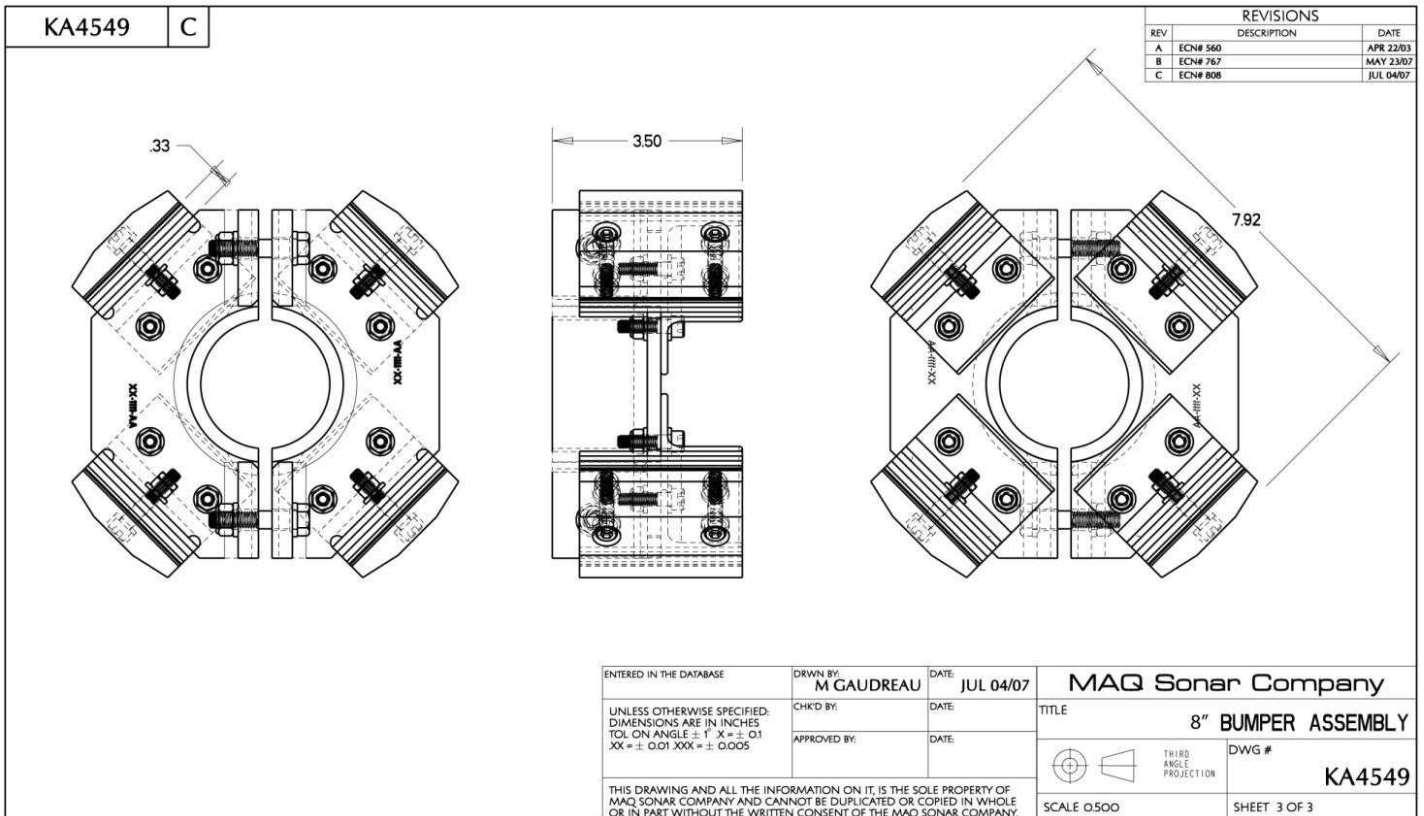


Figure 15 : 60/90kHz Bumper Assembly

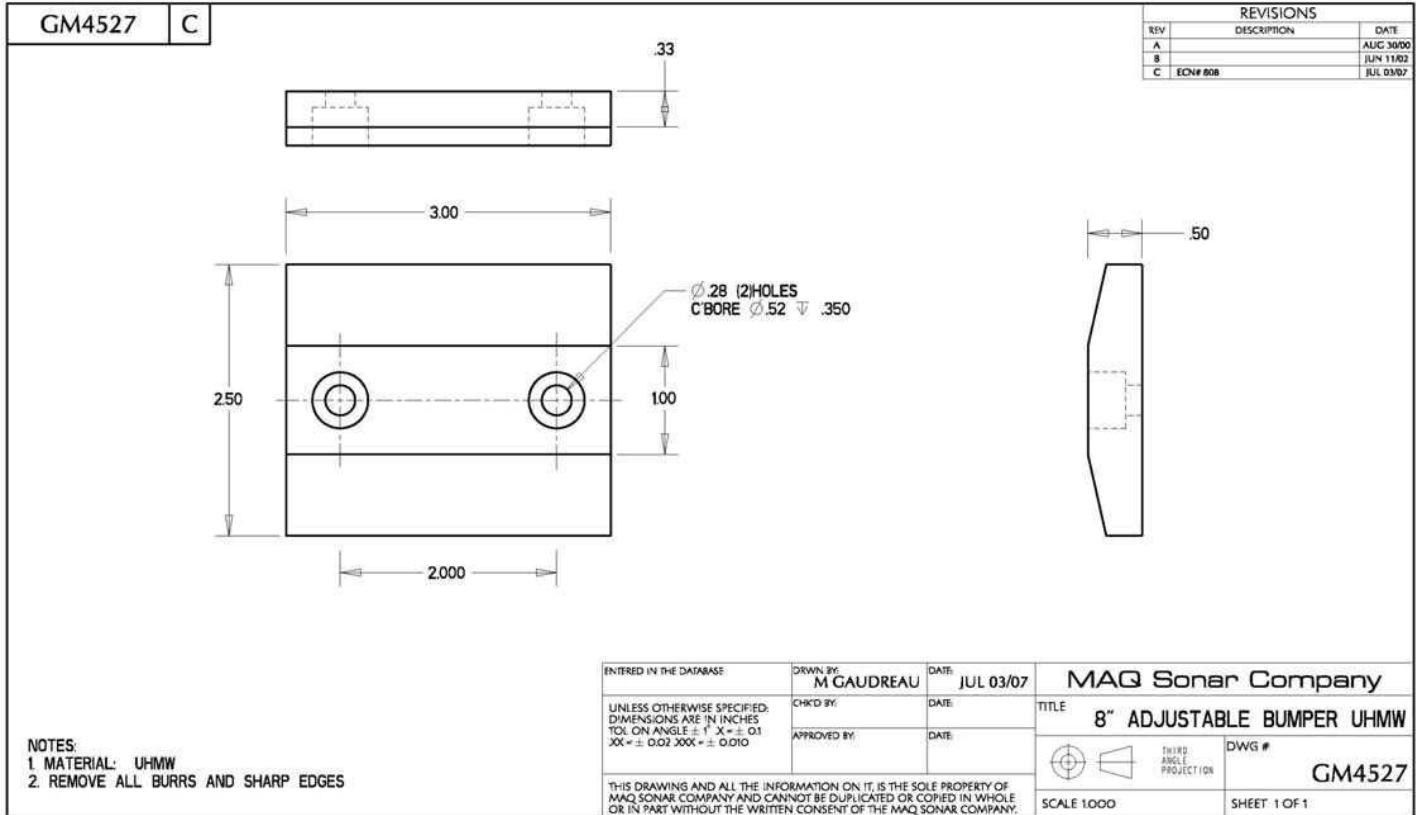


Figure 16 : 60/90kHz Adjustable Bumper

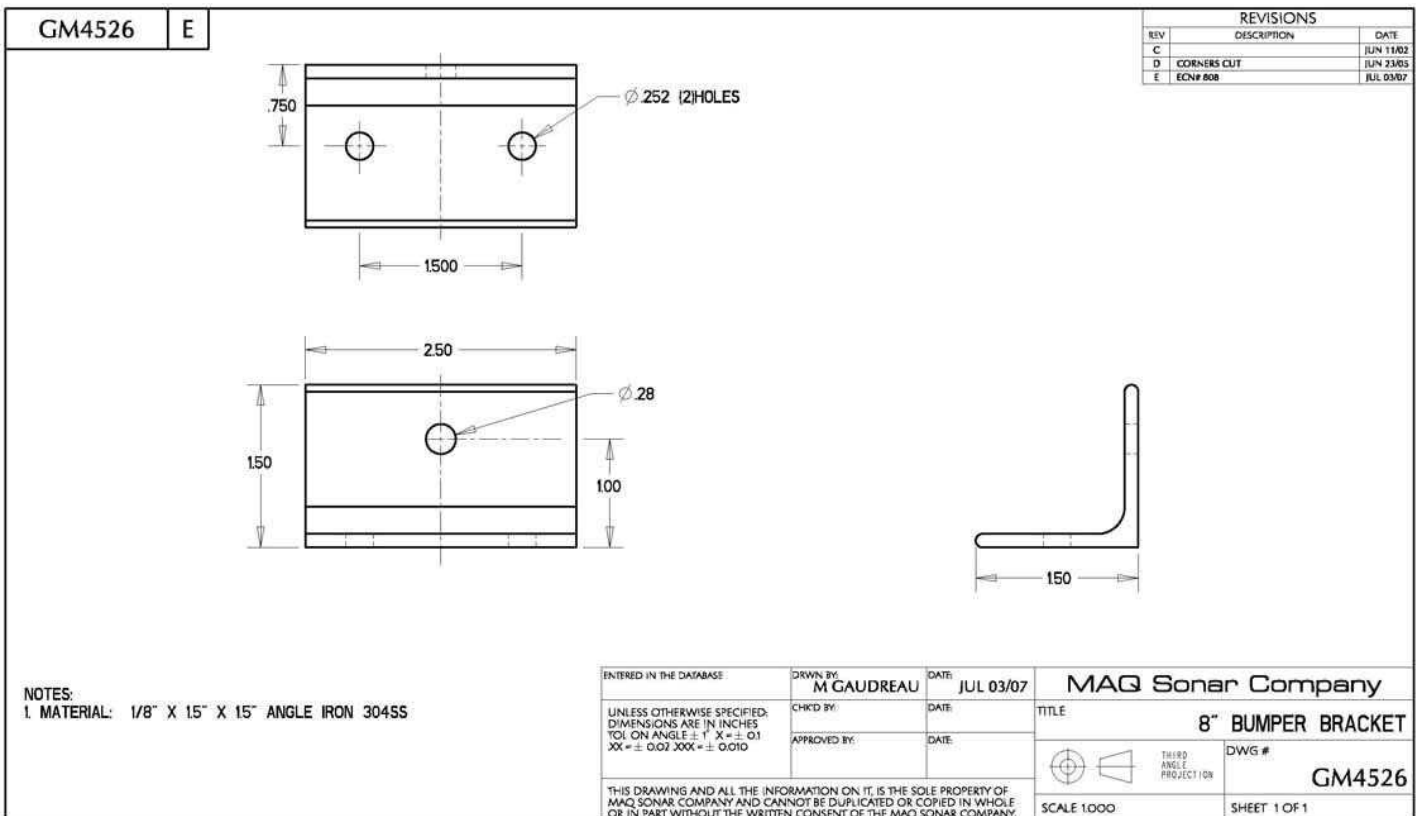
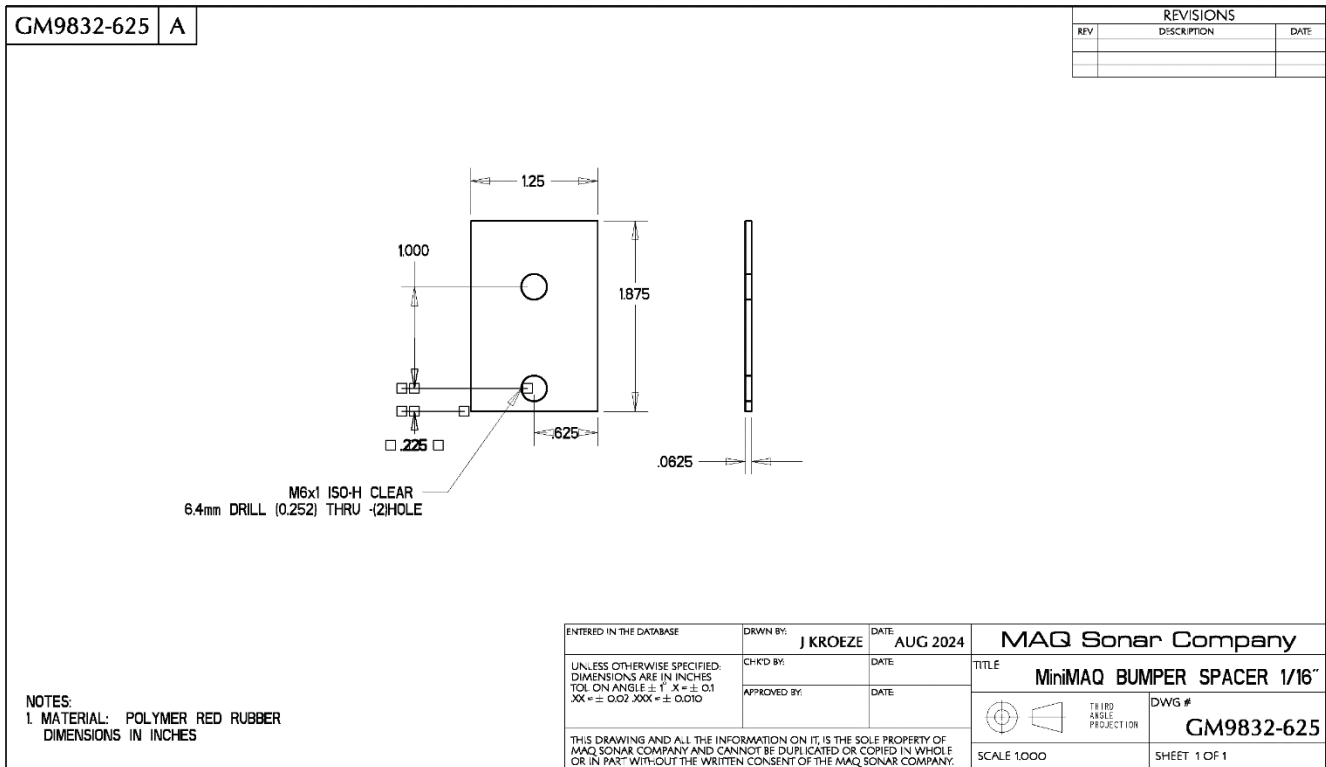
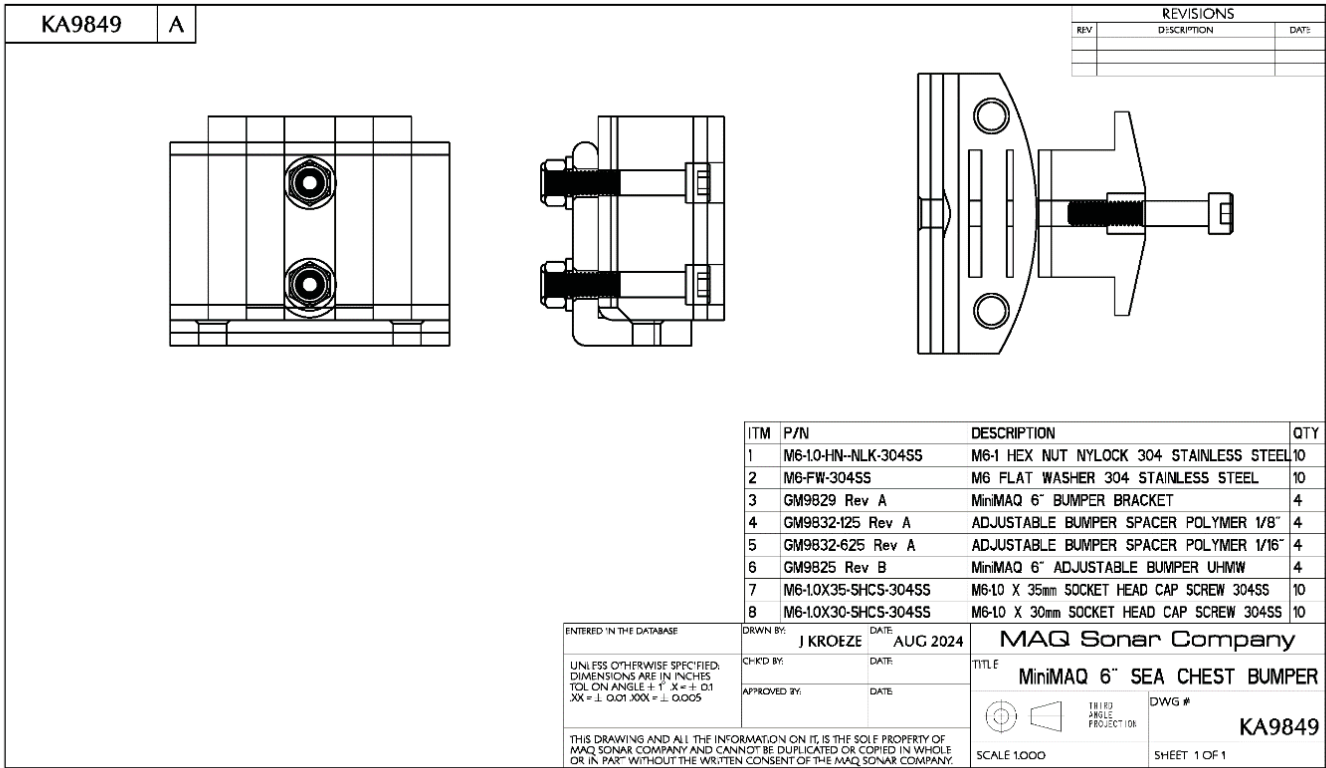
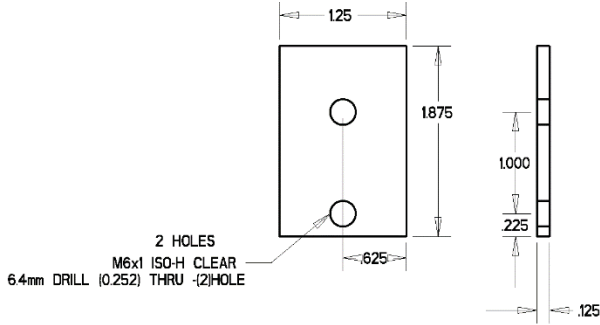


Figure 17 : 60/90kHz Bumper Bracket



GM9832-125 A

REVISIONS		
REV	DESCRIPTION	DATE

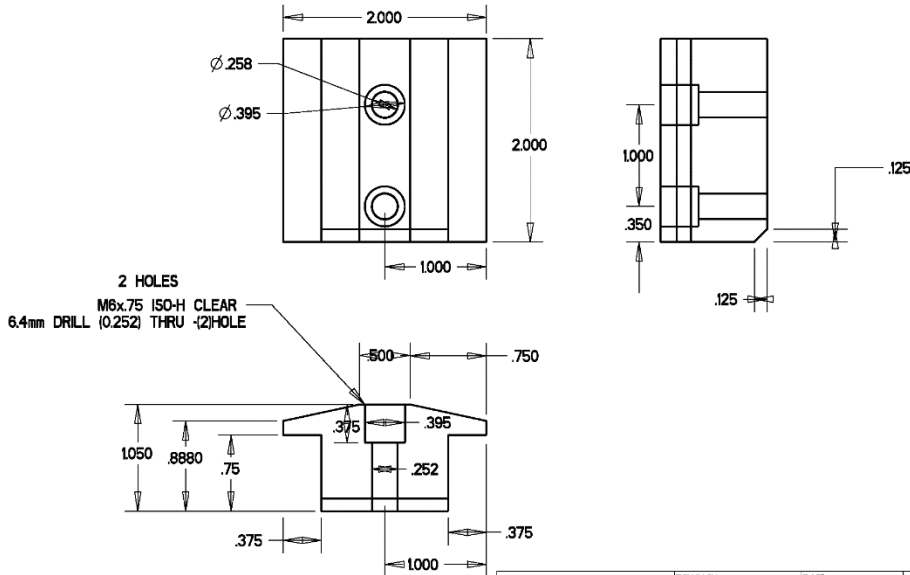


NOTES:
1. MATERIAL: POLYMER RED RUBBER
DIMENSIONS IN INCHES

ENTERED IN THE DATABASE	DRAWN BY: J KROEZE	DATE: AUG 2024	MAQ Sonar Company
UNLESS OTHERWISE SPECIFIED: DIMENSIONS ARE IN INCHES TOL ON ANGLE ± .1° X ± .01 XX ± .002 XXX ± .0010	CHKD BY:	DATE:	TITLE: MiniMAQ BUMPER SPACER 1/8"
	APPROVED BY:	DATE:	DWG # GM9832-125
THIS DRAWING AND ALL THE INFORMATION ON IT, IS THE SOLE PROPERTY OF MAQ SONAR COMPANY AND CANNOT BE DUPLICATED OR COPIED IN WHOLE OR IN PART WITHOUT THE WRITTEN CONSENT OF THE MAQ SONAR COMPANY.			SCALE 1.000 SHEET 1 OF 1

GM9825 B

REVISIONS		
REV	DESCRIPTION	DATE
B	0.378 TO 0.395 DIA. ON COUNTERBORE	AUG 9 24



NOTES:
1. MATERIAL: UHMW

ENTERED IN THE DATABASE	DRAWN BY:	DATE: AUG 9/24	MAQ Sonar Company
UNLESS OTHERWISE SPECIFIED: DIMENSIONS ARE IN INCHES TOL ON ANGLE ± .1° X ± .01 XX ± .001 XXX ± .0005	CHKD BY:	DATE:	TITLE: MINI MAQ 6" GUIDE BLOCK
	APPROVED BY:	DATE:	DWG # GM9825
THIS DRAWING AND ALL THE INFORMATION ON IT, IS THE SOLE PROPERTY OF MAQ SONAR COMPANY AND CANNOT BE DUPLICATED OR COPIED IN WHOLE OR IN PART WITHOUT THE WRITTEN CONSENT OF THE MAQ SONAR COMPANY.			SCALE 1.000 SHEET 1 OF 1

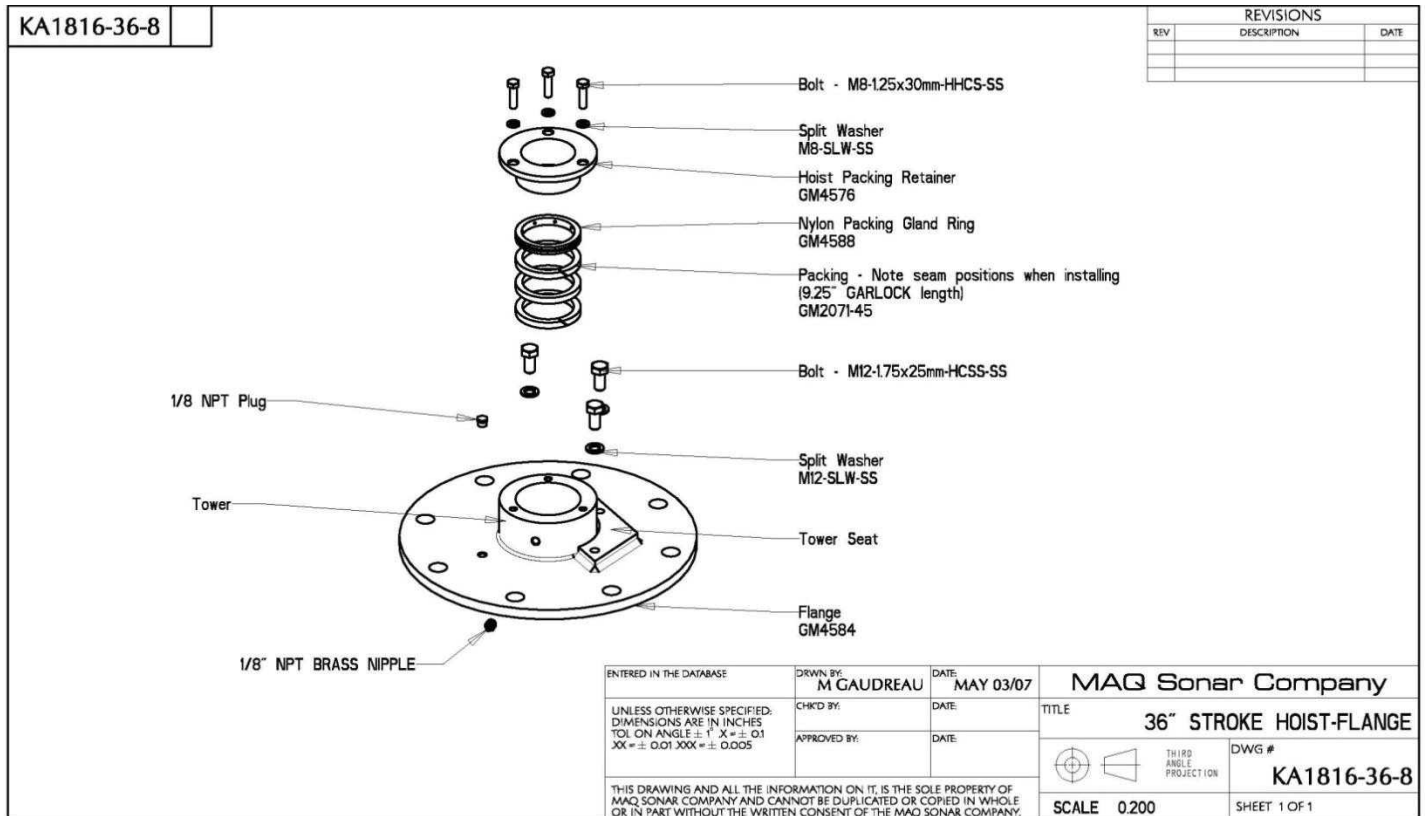
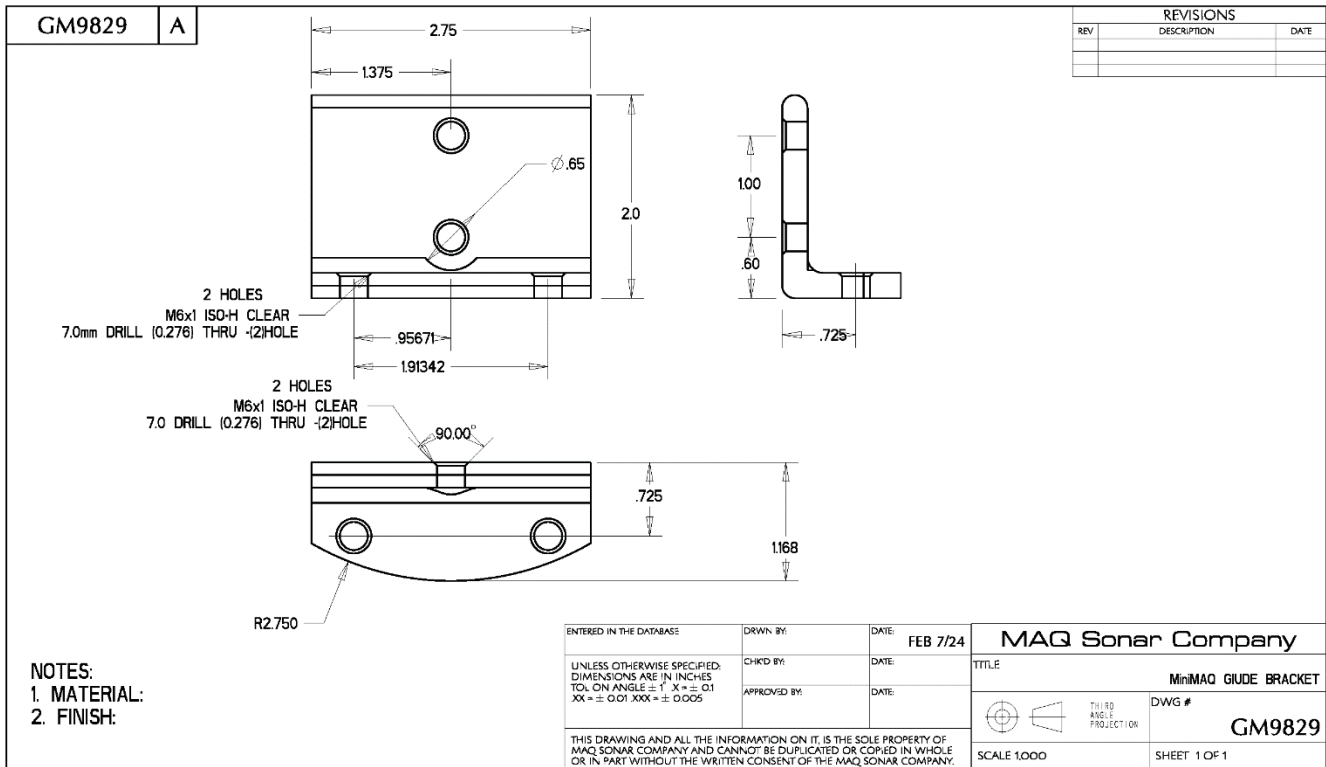
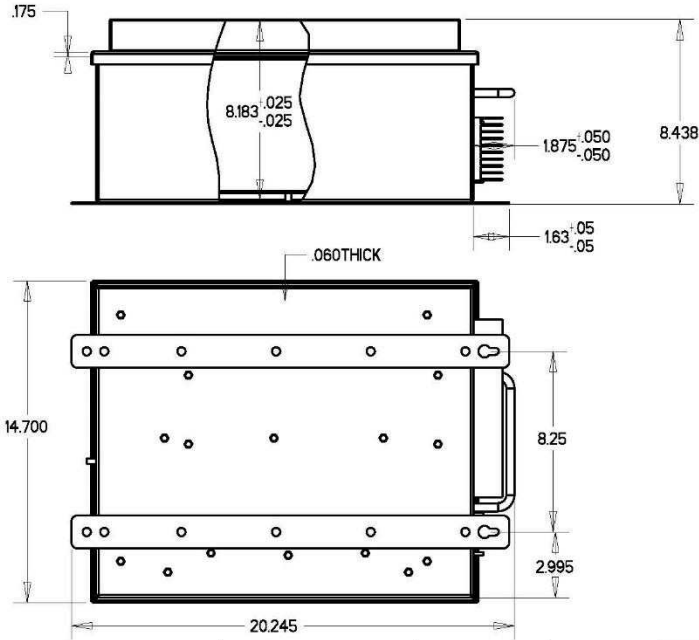


Figure 25 : 60/90kHz Hoist

KA3608



REVISIONS		
REV	DESCRIPTION	DATE

ENTERED IN THE DATABASE

UNLESS OTHERWISE SPECIFIED:
DIMENSIONS ARE IN INCHES
TOL. ON ANGLE $\pm 1^\circ$ X = ± 0.1
XX = ± 0.01 XXX = ± 0.005

THIS DRAWING AND ALL THE INFORMATION ON IT, IS THE SOLE PROPERTY OF
MAQ SONAR COMPANY AND CANNOT BE DUPLICATED OR COPIED IN WHOLE
OR IN PART WITHOUT THE WRITTEN CONSENT OF THE MAQ SONAR COMPANY.

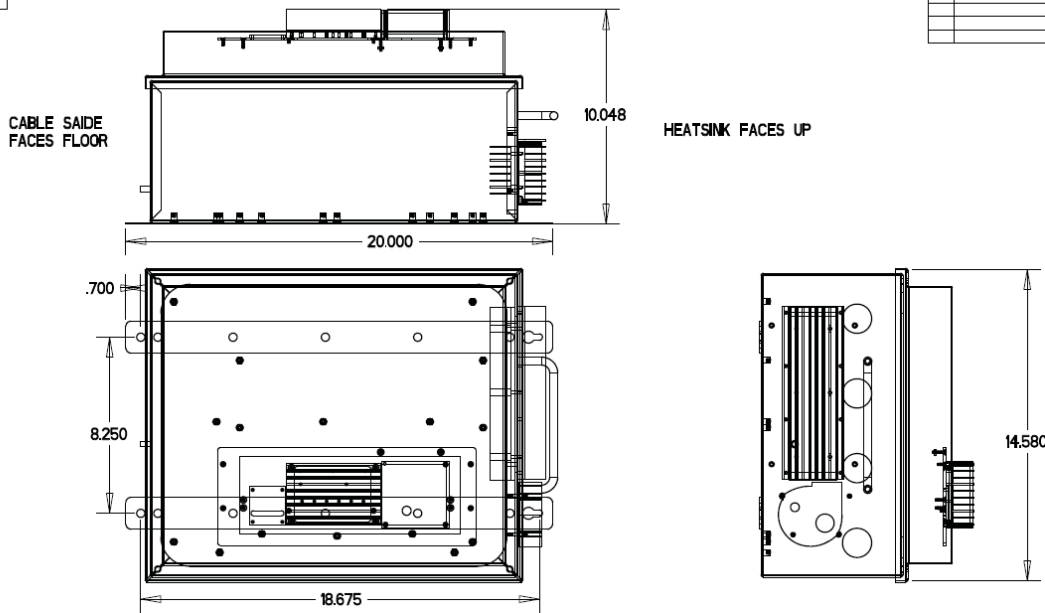
MAQ Sonar Company

TITLE: PROCESSOR UNIT DIMENSIONS

DWG #: KA3608

SHEET 1 OF 1

KA98002 A



REVISIONS		
REV	DESCRIPTION	DATE

ENTERED IN THE DATABASE

UNLESS OTHERWISE SPECIFIED:
DIMENSIONS ARE IN INCHES
TOL. ON ANGLE $\pm 1^\circ$ X = ± 0.1
XX = ± 0.01 XXX = ± 0.005

THIS DRAWING AND ALL THE INFORMATION ON IT, IS THE SOLE PROPERTY OF
MAQ SONAR COMPANY AND CANNOT BE DUPLICATED OR COPIED IN WHOLE
OR IN PART WITHOUT THE WRITTEN CONSENT OF THE MAQ SONAR COMPANY.

MAQ Sonar Company

TITLE: MiniMAQ TRANSCIVER UNIT

DWG #: KA98002

SCALE: 0.200

SHEET 1 OF 1

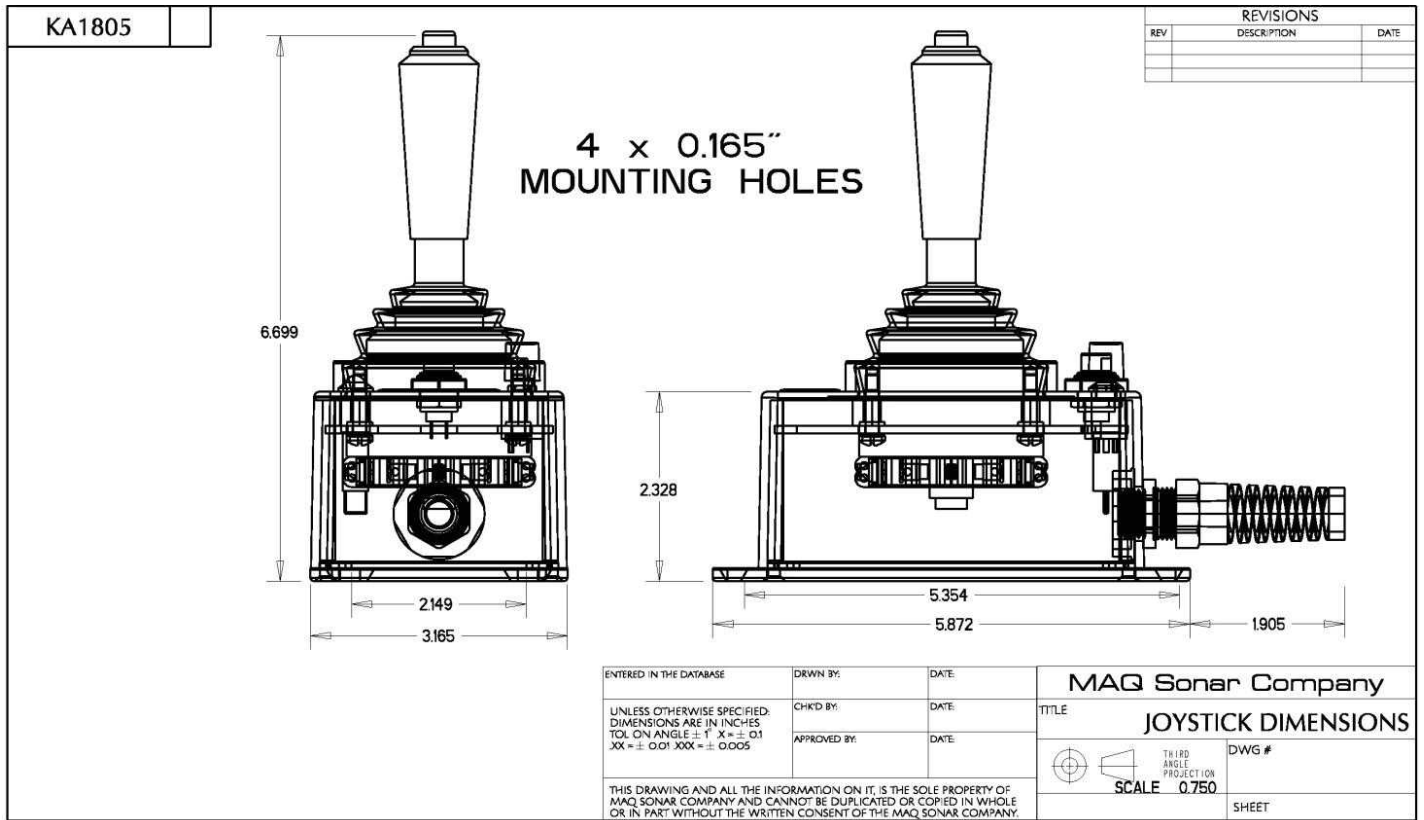


Figure 43 : Joystick Enclosure

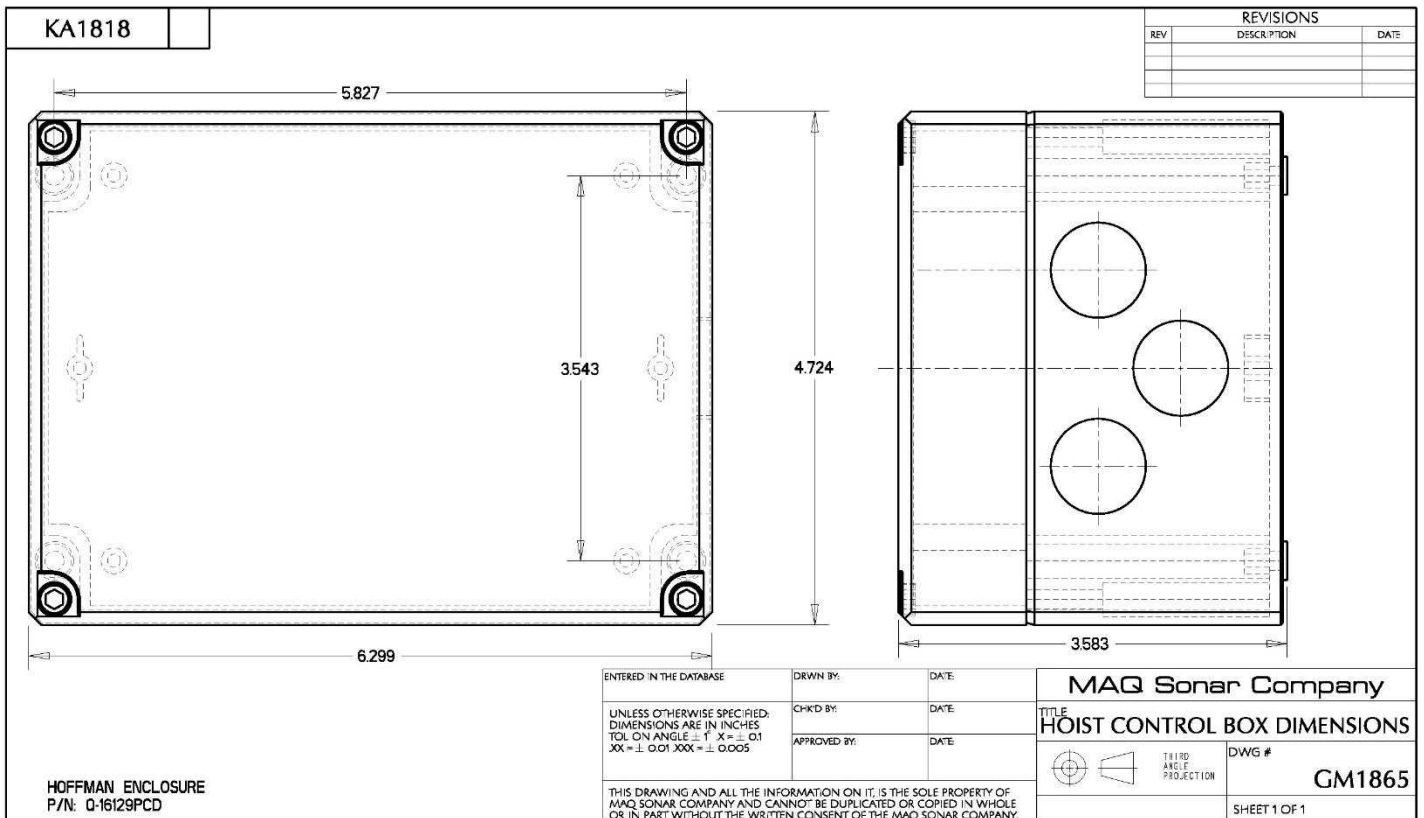


Figure 44 : Hoist Control Box

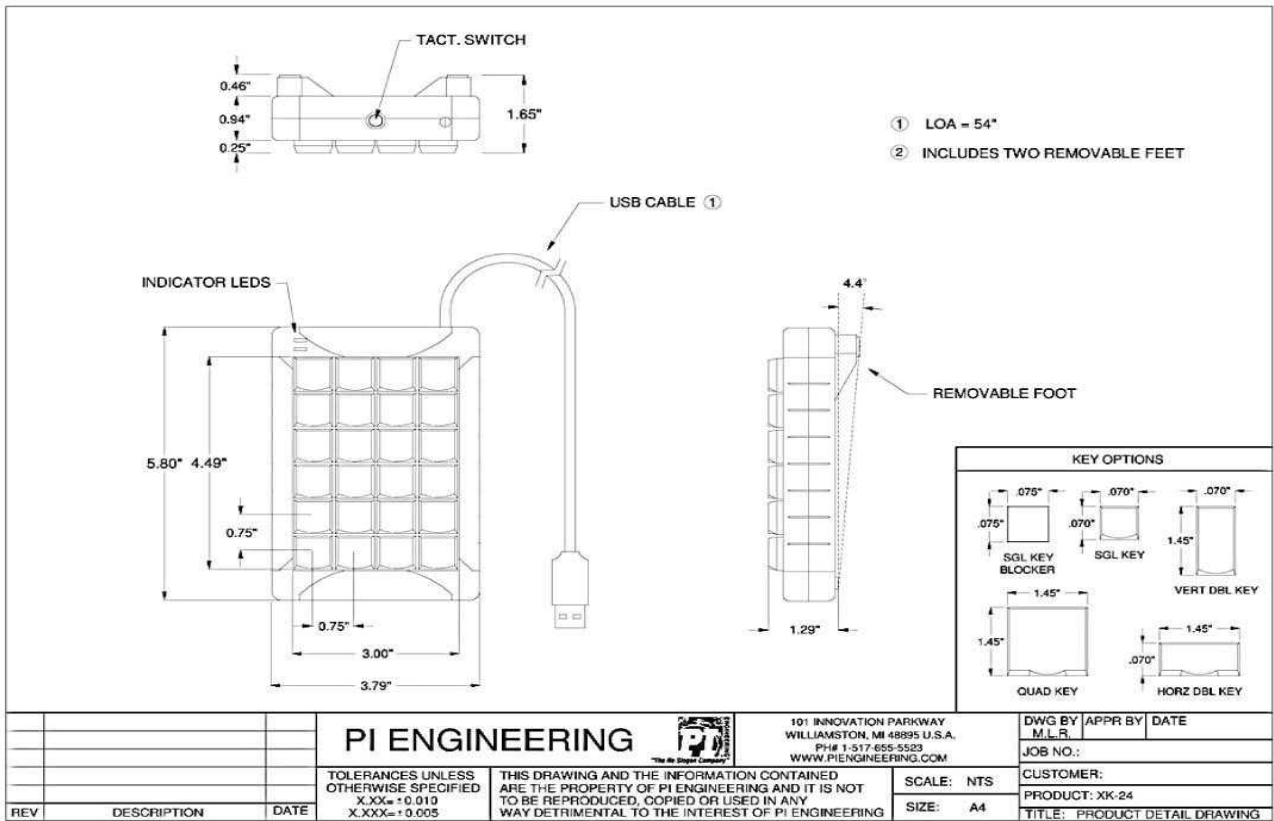


Figure 46 : Keypad Control



Figure 47 : Trackball Keypad Control

Installation Wiring Diagrams

KA3608 – Processor Unit



Figure 17 : KA3608 Wiring Diagram

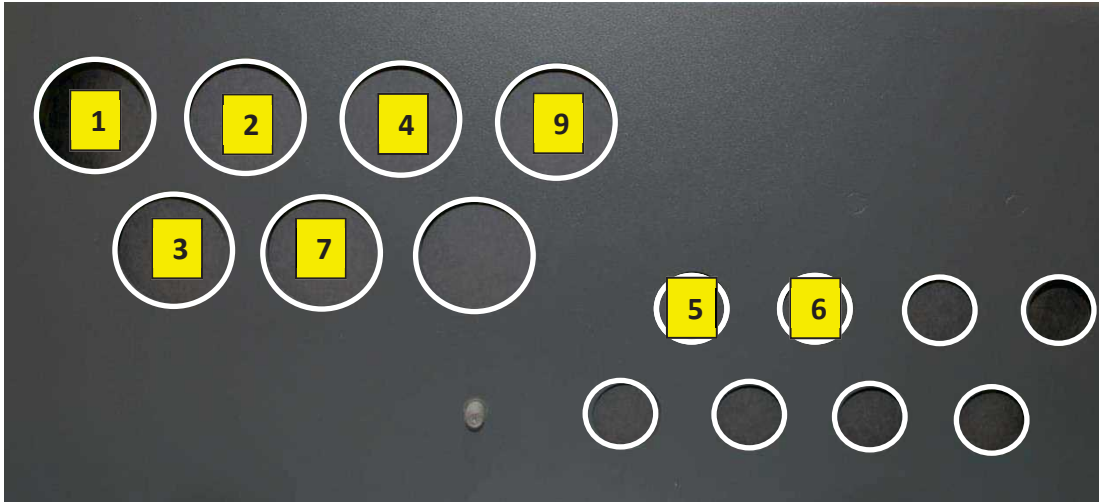


Figure 18 : KA3608 Wiring Diagram

Table 4 : List of Cables in Processor Unit

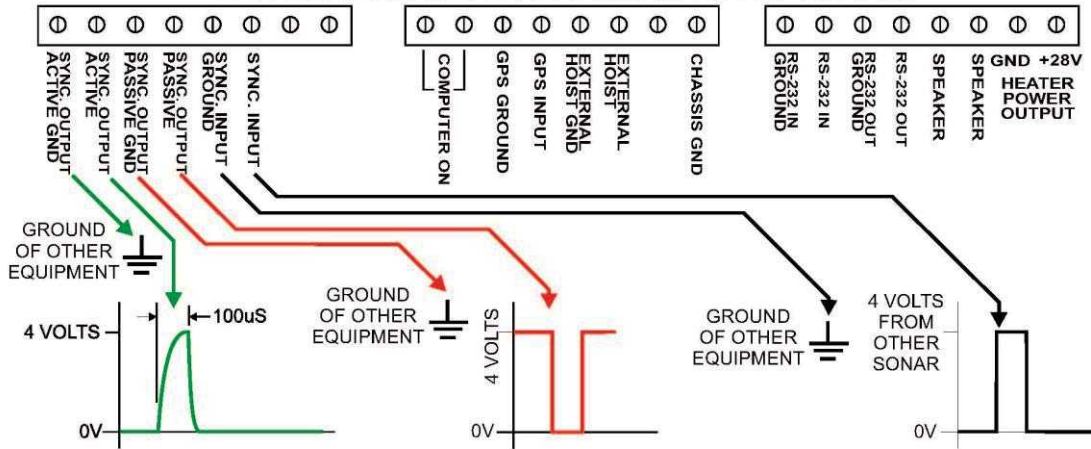
	Part Number	Description
1	KA1835	AC Power In
2	KA1839	AC Power Out
3	KA1832	VGA
4	KA1805	Joystick
5	KA1831	+24V Heater Output
6	N/A	GPS Signal
7	KA3619	Hoist Control
8	KA36001	Inclinometer (Assembly in Processor Unit)
9	KA1833	Ethernet

All cables supplied by MAQ Sonar will be labeled with a part number and revision (ex.KA1234-A), and are also labeled at each end with the unit it is intended for (Processor or Transceiver).



Figure 19 : Example of Label

SYNCHRONIZATION WIRING DIAGRAM



THE **SYNC. OUTPUT ACTIVE** IS USED TO SYNCHRONIZE OR KEY OTHER EQUIPMENT. A PULSE IS GENERATED AT THE BEGINNING OF EACH TRANSMIT CYCLE AS SHOWN ABOVE. ON THE SETUP PANEL "STP" OF THE MAQ SONAR DISPLAY THE SETTING "TX" TRANSMIT IS SET TO **ON**. "ON" IS THE STANDARD OPERATING POSITION. (TRANSFORMER ISOLATED)

THE **SYNC. OUTPUT PASSIVE** WORKS THE SAME AS THE SYNC. OUTPUT ACTIVE BUT USES AN ACTIVE TTL GROUNDING PULSE TO TRIGGER OR KEY EXTERNAL EQUIPMENTS. (OPTICALLY ISOLATED)

THE **SYNC. INPUT** IS USED TO SYNCHRONIZE OR KEY THE MAQ FROM OTHER EQUIPMENT. "TX" TRANSMIT MUST BE SET TO OFF. (OPTICALLY ISOLATED)

GPS and NEMA:

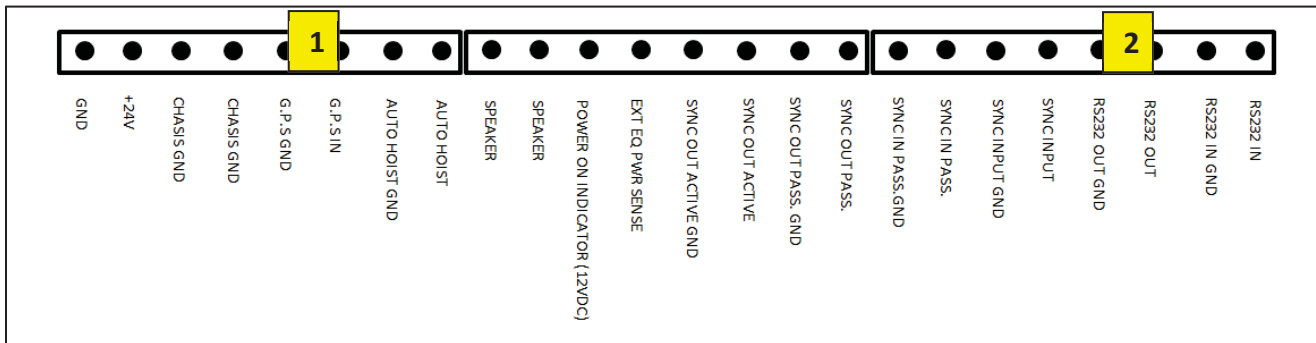


Figure 20 : GPS (1) and RS232 (2) Location

The G.P.S Input requires a NMEA0183 data sentence from a G.P.S. which contains a minimum RMC sentence output. The sentences will require the following data information: LAT\LONG, SPEED and HEADING.

If more accurate sentences are available they can be selected on the **NAV** panel.

The RS-232 OUT will send NMEA0183 data to plotters when MM (Manual Mark) is selected on the OPR (Operate Panel). It also outputs the temperature sensor data of the transducer using MQWTM and MQMTW NMEA sentences.

NMEA Data Sentences:

The following NMEA data sentences are recognized by the system:

Heading Information:

RMC (Recommended Minimum Navigation Information)

HDT (Heading - True)

HDM (Heading - Magnetic)

HDG (Magnetic heading, deviation, variation)

VHW (Water Speed and Heading)

VTG (Track Made Good and Ground Speed)

ATT (Proprietary Heading, Pitch and Roll information)

Speed Information:

RMC (Recommended Minimum Navigation Information)

VHW (Water Speed and Heading)

VTG (Track Made Good and Ground Speed)

Latitude/Longitude Information:

RMC (Recommended Minimum Navigation Information)

GLL (Geographic Position Latitude/Longitude)

GGA (Global Positioning System Fix Data)

KA3602 – Transceiver Unit

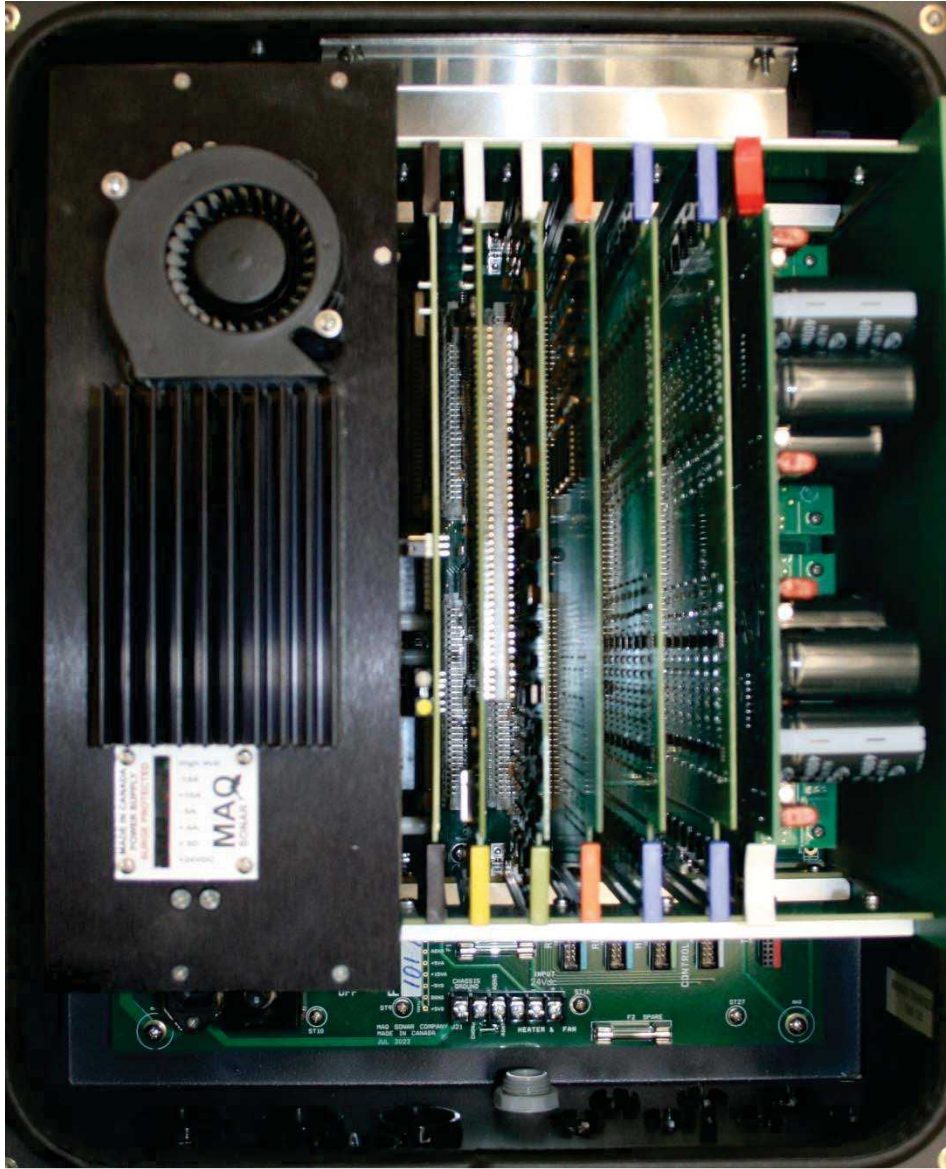


Figure 21 : KA98002 Unit

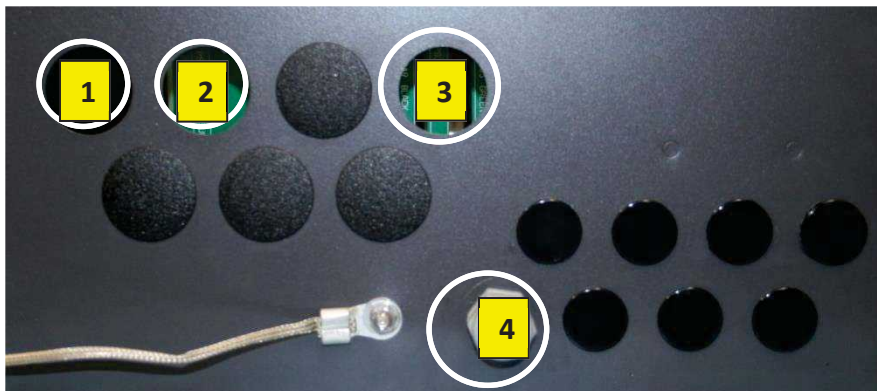


Figure 22 : KA98002 Unit Wiring

Table 5 : List of Cables for Transceiver Unit

	Part Number	Description
1	KA1839	AC Power In From Processor Unit
2	KA1831	+24V From Processor Unit
3	KA1833	Ethernet From Processor Unit
4	22/60/90kHz	Transducer
5	22/60/90kHz	Transducer Ground Wire



Figure 23 : Transducer Connection Inside KA98002 Transceiver Unit

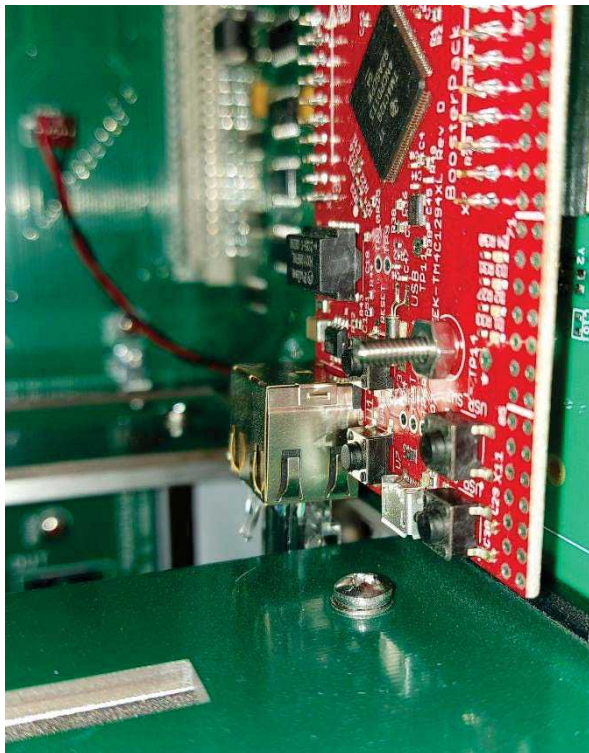


Figure 24 : Ethernet Connection in Transceiver Unit

Install “Transceiver” end of KA1833 Ethernet cable into KA1849 (**BLACK**) board that is in first position of card file. The tab on the Ethernet connector is towards the left .

KA1849 (**BLACK**) board must be installed before installing KA1817 transceiver unit power supply.

Note: All boards in Transceiver Unit (KA3602) are color coded and each card slot inside the Transceiver Unit is labeled with a color that corresponds with a board. All boards that are the same color can be interchanged. Boards with different revision should not be mixed in a system. Reference *Table 6* for Transceiver Unit components.

Table 6 : KA3602 Transceiver Unit Boards

Position	Part Number/Color Code	Description/Amount per System
1	KA1817	Power Supply (1)
2	KA1849 (BLACK)	Interface Board (1)
3	KATI3645 (YELLOW)	Control Board (1) ****
4	KA3603 (GREEN)	Tilt Board (1)
5	KA1814 (ORANGE)	MUX Board (1)
6	KA1891 (BLUE)	Receiver Board (2)
7	KA3690 (RED)	Transmitter Board (1) ****

Note: Each Transceiver Unit (KA3602) is capable of operating on 115 or 230V AC. Each Transceiver must be checked to ensure it is set for the proper voltage **BEFORE** turning on the power. Jumpers are added to the Transceiver Unit Motherboard (KA3697), located behind the Power Supply (KA1817), which sets the operating voltage. *Figure VAC* is set to 230 V AC.

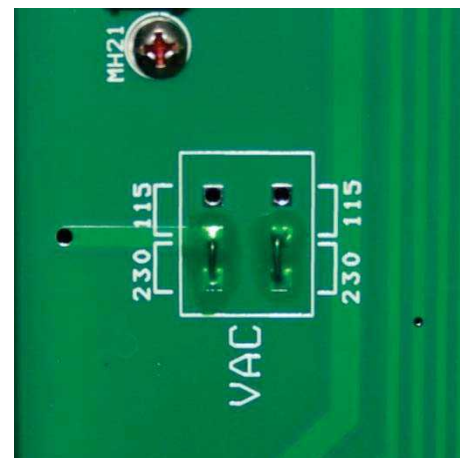


Figure VAC : Operating Voltage for KA3602

Interconnect Cables

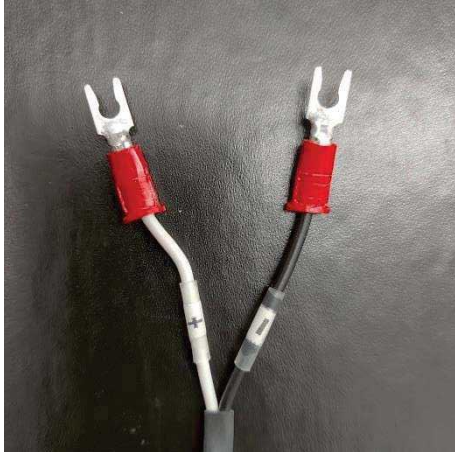


Figure 25 : KA1831 DC Power Cable

KA1831 DC Power Cable does not have specified units for each end but ensure the “+” & “-” are on the correct terminals **+24V** and **GND**. Location for connection is shown as “5” in processor wiring diagram and “2” in transceiver wiring diagram.

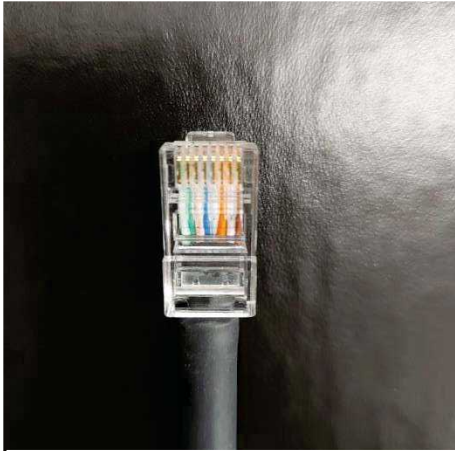


Figure 26 : KA1833 Ethernet Cable

KA1833 Ethernet Cable does have specified units for each end (Processor and Transceiver). Location for connection is shown as “9” in processor wiring diagram and “3” in transceiver wiring diagram.



Figure 27 : KA1839 AC Power Cable

KA1839 AC Power Cable does have specified units for each end (Processor and Transceiver). Location for connection is shown as “2” in processor wiring diagram and “1” in transceiver wiring diagram.

Hoist Control Connections

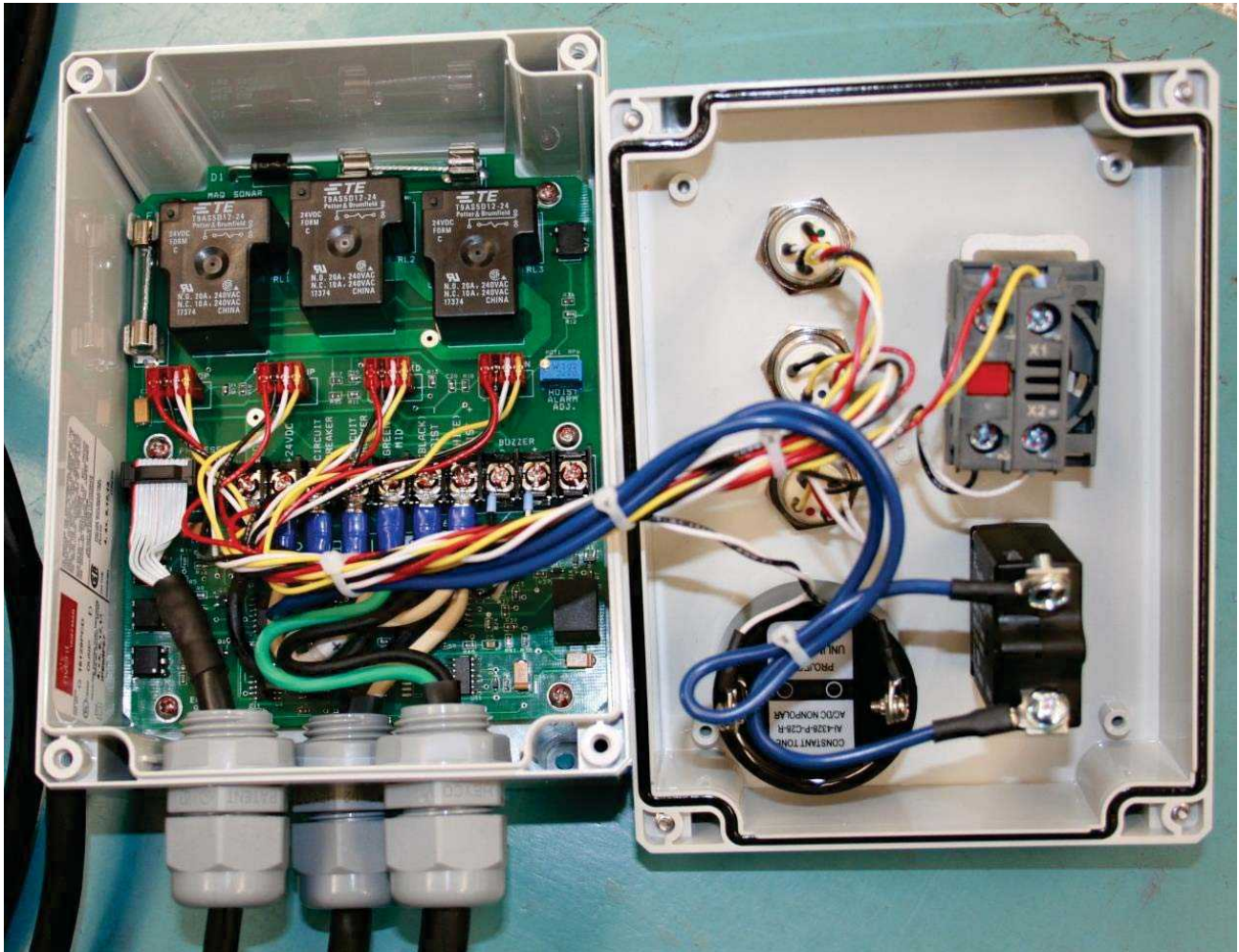


Figure 28 : Hoist Control Box

Table 6 : Control Box Cables

	Part Number	Description
1	KA1864	+24V Boat Supply
2	KA3619	Processor Control
3	KA1956	Control Box to Actuator

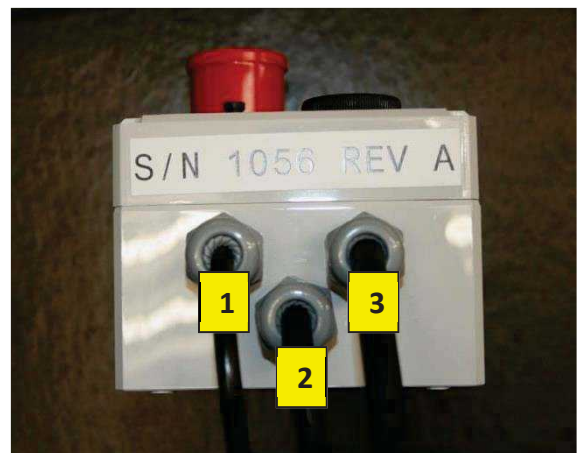


Figure 29: Control Box Cables

CHAPTER 3

Inclinometer

Inclinometer Type "G" Setup

Inclinometer Type “G”

Requirements for Setup:

- Digital level
- Possibly two people.

This procedure must be performed after the transducer is installed, and the processor is in its final position and permanently mounted.

Setup Needed If:

The Inclinometer suffers any position change inside the Processor Unit. (Even the smallest of position change will upset the alignment),

- The Processor Unit is moved,
- The processor computer hard disk is reformatted, or;
- New software is installed.

Inclinometer Mechanical Setup:

For accurate Inclinometer alignment the vessel should be in port with the vessel motionless.

The Inclinometer is located inside the Processor Unit on an adjustable mounting arm. The label on the back of the inclinometer reads “This Side Stern” and the inclinometer type which, for this case, is type “G”.

Using the adjustable mounting arm, position the inclinometer so the “This Side Stern” Label is aligned with the vessel’s stern as accurately as possible. While do this align the bubble, on the top of the Inclinometer, to the vertical position. (Tighten adjustable arm firmly)

If Inclinometer is not aligned correctly the stabilization TR (Track) & SR (Search Modes) will not be effective.

Inclinometer Alignment:

Once the Inclinometer has been correctly positioned according to the description above, turn on the Sonar.

Wait at least 1 minute while the sonar is operating before performing the next procedures to allow the Inclinometer to fully stabilize.

Using the SYS (*System*) Panel, select the Inclinometer type to “type G”.

Using the OPR (*Operate*) Panel select the () to R ().

Selecting the SYS (*System*) Panel will display the “Bow” and “Port” readouts for the Inclinometer angle.

- A positive Bow angle indicates that the bow is angled up and a negative Bow angle indicates that the bow is angled down.
 - A positive Port angle indicates that the Port is angled up and a negative Port angle indicates that the Port is angled down.
- 4) To align the transducer with the Inclinator, the vertical alignment of the transducer in the sea chest must be measured. Precise stabilization only occurs when the transducer alignment matches the Inclinator. Extreme care must be exercised when conducting this procedure.

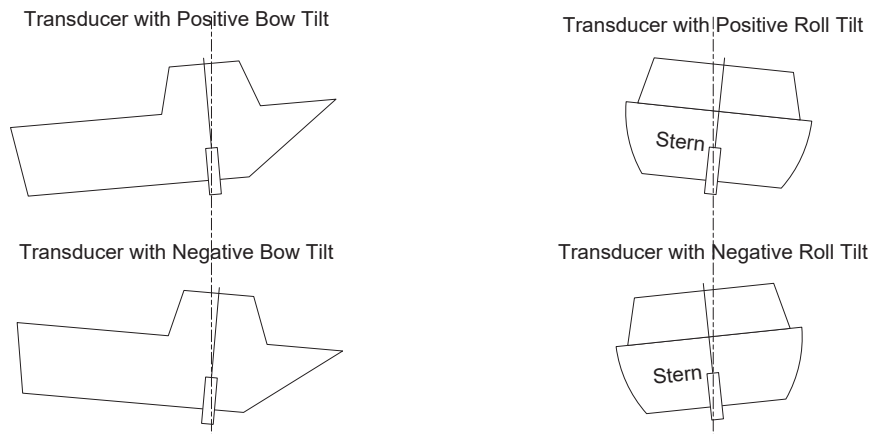


Figure 30 : Tilt Angle Description

If possible the transducer tilt measurements should be performed while the transducer is fully deployed. (Hoist in the down position). **Ensure there is clearance below the vessel before lowering the transducer.**

Place the digital level on the transducer pipe and align it with the Bow of the vessel. Measure the pitch angles in accordance with the diagram shown above.

Repeat the measurement for the roll measurement.

- 5) Now using the joystick, adjust the “Bow (pitch)” and “Port (roll)” angles shown in the menus of the Sys Panel display to match the transducer/pipe measured angles.

The Inclinator offsets are displayed on the circular omni display. The Inclinator offsets are a combination of the adjustment for the transducer position and the slight misalignment of the inclinometer.

- 6) Save the Inclinator offsets and record these numbers for future reference in case someone tampers with your sonar settings.

Important:

- **If the Inclinometer, Processor Unit is moved or if there is maintenance carried out on the sea chest then this procedure must be repeated.**
- **If the processor computer is reformatted or new software is installed you must also repeat this procedure.**

The Inclinometer Offsets can be restored to the sonar if new software has been loaded into the sonar and the Inclinometer position has not been disturbed.

CHAPTER 4

Startup

System Power Up
Initializing Sequence
Screen Layout
Menu Panel
On Screen Display

System Power Up

Main Power Control:

Power On Sequence:

Start the sonar by pressing the menu select and On/Off buttons simultaneously on the joystick.

Power Off Sequence

Shut down the sonar by pressing the menu select and On/Off buttons simultaneously on the joystick.

Power On Indicator

The power on indicator presents the status of the system.

NOTE:

The transducer is designed to operate immersed in water only. The unit can be damaged if the system is forced to transmit when exposed to open air. The system must NOT be powered up while the vessel is in dry dock unless the Transceiver Unit HIGH VOLT switch is in the OFF position. Disconnecting Main Power to the system is recommended when in Dry Dock.



Initialization Sequence

The first screen presented displays the current software version (*V XX.XX.XX in this example*), date of release (*Month Date, Year*) and initialization status:



Figure 32 : Initialization Screen

Initializing Signal Processing ... Complete

The sonar is setting up the interface system and loading the previous menu settings.

Initializing Transceiver ... Complete

The sonar has established a communications link between the Computer Interface Unit and the Transceiver Unit.

Initializing Switchover System ... Complete

The system has performed diagnostics to determine the status of the switchover unit.

If the sonar system is unable to establish communications between the Computer Interface Unit and the Transceiver Unit, the computer will sound an audible alarm and following message will appear:

Initializing Transceiver ... Failed

Possible errors:

- No power in the Transceiver Unit.
- One or more of the cables between the Computer Interface Unit and the computer itself may be disconnected.
- The _____ in the Transceiver Unit is missing or not the correct version.
- The communication port cables are interchanged *on a new installation*. Change physically or change in the software on the System Panel.



Figure 33 : Initialization Failed

Screen Layout

Main Screen:

The *Main Screen* is divided into two basic sections.

Menu Panel:

The *Menu Panel* provides user access to the operation and system control features.

To change the current menu selection (*highlighted in yellow at right*), press down on the menu select button on the top of the joystick.

- Moving the joystick up or down while holding this button will shift the focus of the control to a new menu item.
- Moving the joystick left or right while holding this button will alter the menu parameter setting.

Sonar Display:

The *Sonar Display* provides the sonar presentation as well as current information on the system status.

To change the position of the cursor (the crosshair symbol highlighted in the upper/right quadrant of this display), simply move the joystick control while the menu select button is released.

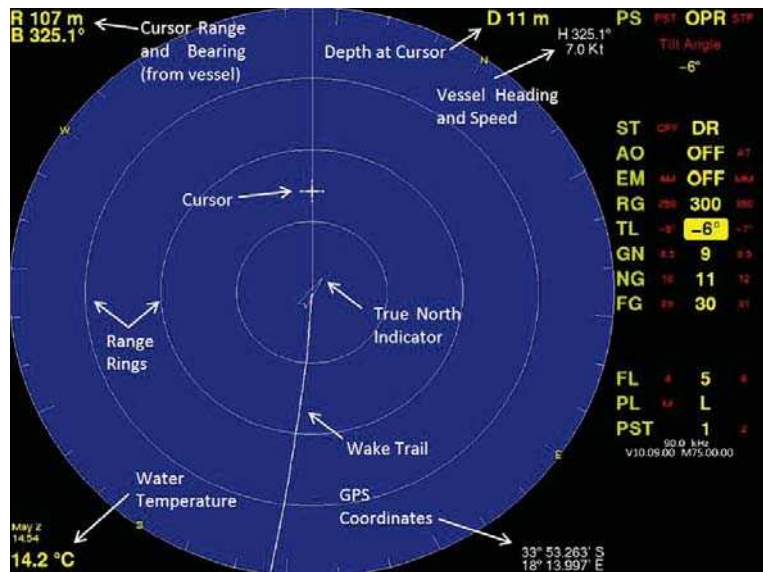


Figure 34 : Screen Layout



Figure 35 : Cursor

Menu Panel

The Menu Panel is divided into the following sections

Panel Select

The Panel Select area provides user access to the array of menu panels for operation and configuration of the MAQ Sonar System. At system start, the Operate Panel (OPR) is presented. The Trawl Panel is only present in Trawl Mode.

The Panel Select area provides user access to the array of menu panels for operation and configuration of the MAQ Sonar System. At system start, the Operate Panel (OPR) is presented. The Trawl Panel is only present in Trawl Mode.

The standard panel array is:

TON < NET < PST < OPR > STP > DIS > TIM > AFL > NAV > SYS

In Trawl Mode the panel array is:

TON < NET < PST < OPR > TRL > STP > DIS > TIM > AFL > NAV > SYS

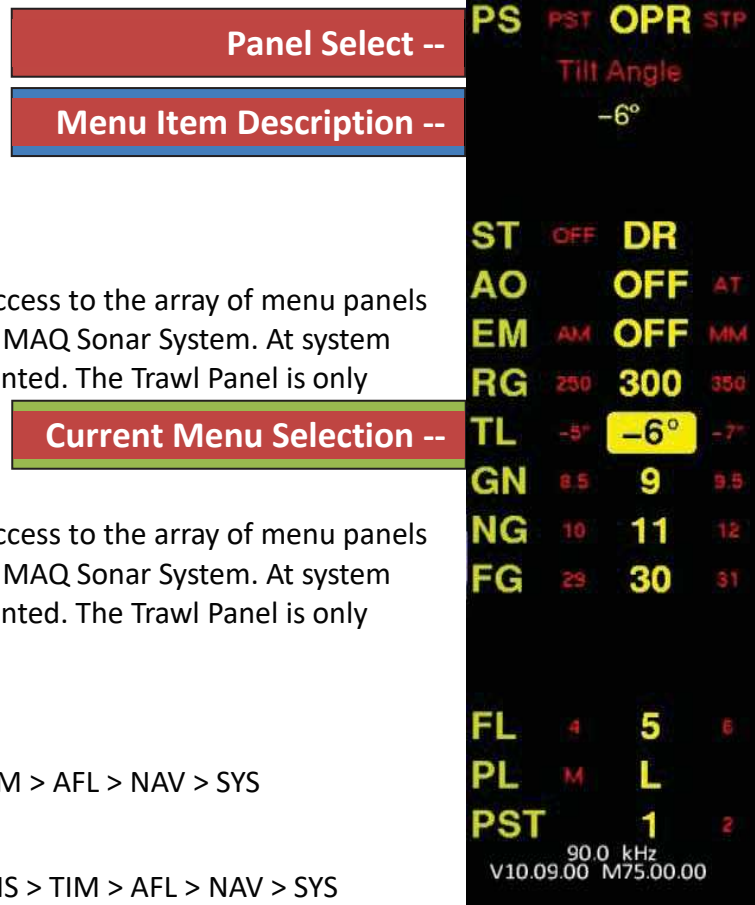


Figure 36 : Menu Breakdown

Note: To access the System Panel (SYS), click to the right multiple times from the Navigation Panel while holding the menu select button on the joystick. This is to minimize the risk of the operator unintentionally changing the vital system parameters.

Menu Item Description

The Menu Item Description displays a short phrase to give details about the current menu focus.

This area is also used to display certain system messages: Should the communications link between the Processor Unit and the Transceiver Unit fail, a NO DATA RECEIVED message will flash in alternating colors.

When using the Auto Mark feature, the target speed and heading will be displayed in this area (*Operate Panel only*).

On Screen Display

Below is a typical sonar screen which has a brief explanation of the various items which might be seen on a sonar screen.

On the right hand side is the Main Menu and in this particular screen shot the Operator OPR panel is on the display. This is the panel the operator will use the majority of the time for fishing operations.

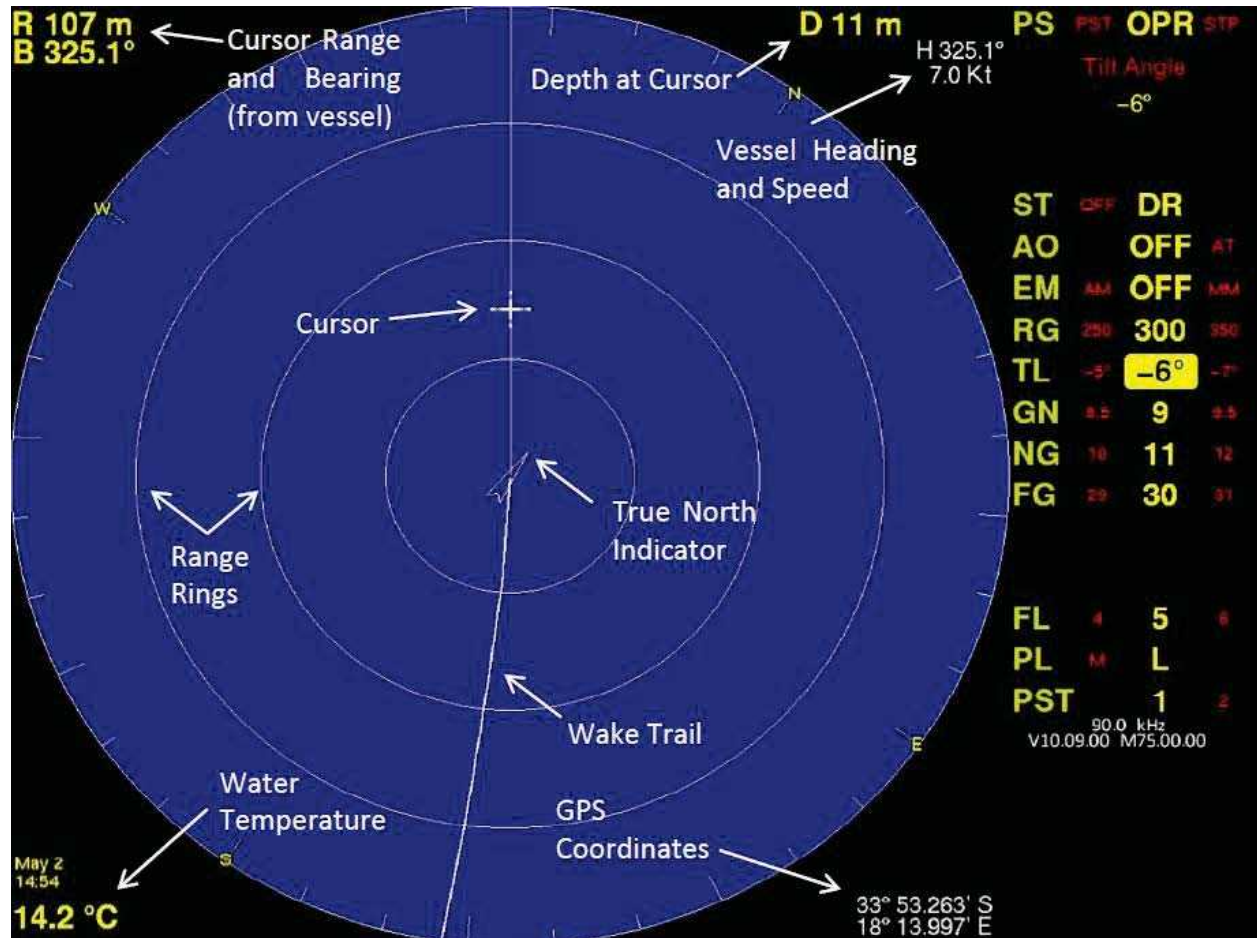


Figure 37 : List of on Screen Items

Highlighted Items:

Water temperature, cursor position, GPS coordinates, wake trail, true north indicator, range rings, compass rings, vessel heading and speed relative to true north, depth at cursor, cursor range and bearing (from vessel) and display cursor.

CHAPTER 5

Setup

System Setup
Preferences
Setting Time
Navigation Setup NEMA Sentences

System Setup

Transducer Alignment:

The transducer alignment may require alteration as the transducer serviced or when a replacement transducer is installed.



Figure 38 : Transducer Shield

(Tsh) Transducer Shield:

OFF Stainless Steel transducer shield removed or 60/90 kHz ABS shield installed.

ON Stainless Steel shield installed.

Note that if the transducer shield is removed or replaced the Frequency Adjust (below) calibration must be confirmed.



Figure 39 : Frequency Adjust

(FQ) Frequency Adjust:

Tuning the transducer is similar to checking the resonance of bell or tuning fork. Resonance can vary from transducer to transducer and can change slightly as the transducer ages. The transducer frequency must be tuned for maximum performance

While stationary in port, switch to OMNI mode and adjust the Range, Gain, Near Gain and Far Gain controls (*on the Operate panel*) to obtain a stable target on the display of medium strength. Choose a fixed position target such as the shoreline or a standing vessel.

Switch to the System Panel and vary the Frequency Adjust to ensure maximum target strength.

DO NOT attempt to adjust the Frequency while the vessel is underway.

(DA) Display Alignment:

NOTE: Bow Up Display must be selected on the Navigation Panel when making this adjustment.



Figure 40 : Display Alignment

Adjust to compensate for any misalignment of the transducer during installation to ensure the bow appears at the top of the Sonar display (12 o'clock position).

In port, the dock or wharf may be used to align the dock or wharf with the boat.

When at sea, noise from the vessel's propeller may be used to position the noise immediately to stern (6 o'clock) on the Sonar display.

(TA) Temperature Adjust:

Compensates for any offset in the water temperature readout on the Sonar display. Use a known reference to calibrate the temperature sensor.



Figure 41 : Temperature Adjust

Inclinometer:

The inclinometer is used in stabilized modes to sense the attitude of the vessel. Please refer to separate section on Inclinometer Type G which is included with each new system. Below are instructions to be used in older systems.

(INC) Inclinometer Type:

Adjust to indicate which type of inclinometer is connected to the system. Except for the E type sensor which is external to the system, each inclinometer is marked with the appropriate letter and can be found *located inside the Processor Unit*. The type chosen must match the inclinometer type installed in the system.



Figure 42 : Inclinometer Type

Selections:

- | | |
|----------------------|---|
| <u>OFF</u> | Inclinometer disabled |
| <u>Type G</u> | The system will use the MAQ gyro inclinometer sensor for pitch and roll information |

Note: Reference chapter 3 Inclinometer Setup Procedure for type "G" Inclinometer.

(BW) Bow (Pitch) Adjust/ PT Port (Roll) Adjust:

Compensates for pitch related to inclinometer installation offset.

Selections: 0.1 degree increments from -4.0° to 4.0°

In order to make this adjustment, the system must be in stabilized mode:

- On the Operate Panel select Stabilized mode (ST) must be ON.
- Ensure inclinometer type is set to Type G on the System Panel.



Figure 43 : Bow Adjust



Figure 44 : Port Adjust



Figure 46 : SYS Panel

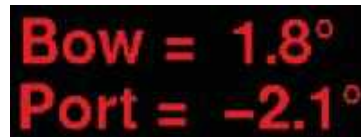


Figure 45 : Bow and Port Adjust

Reference chapter 3 Inclinometer Setup Procedure for type “G” Inclinometer.

When correctly adjusted, the readout on the display should reflect the current pitch offset of the Transducer pipe.

Preferences:

Operating Language:

The operating language is selected on the Setup Panel.

Sets the language displayed in the menu item description. There are eleven languages presently available (*standard*).

(Eng) English	(Tür) Turkish	(CH) Chinese
(Fra) French	(Ita) Italian	(Dan) Danish
(Esp) Spanish	(Rus) Russian	(Pt) Portuguese
(Sve) Swedish	(Nor) Norwegian	



Figure 47 : Operating Language

Range Units:

The setting for the Range Units is located on the Setup Panel.

Sets the unit of measurement for range and depth. Selections available are:

(feet) Feet	(fm) Fathoms
(m) Meters	(yd) Yards



Figure 48 : Range Units

Adjusting the Display:

The brightness levels for the menu text and the Sonar display can be independently preset on the Display (*DIS*) Panel.

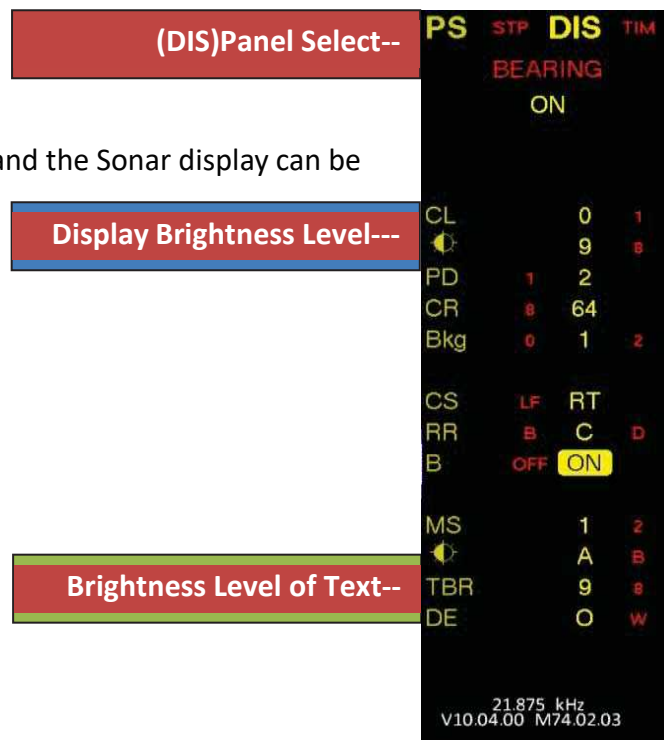


Figure 49 : Display Panel

Setting the Time

The system time is seen on the bottom/left corner of the Sonar display. One use is to time stamp tonnage pictures stored for easier identification on retrieval.

Settings are found on the Time (*TIM*) Panel.

(YR) Sets the current year.



Figure 50 : Year Select

(MO) Sets the current month.

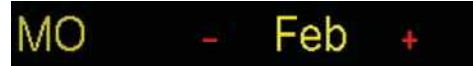


Figure 51 : Month Select

(DA) Sets the current day of the month.



Figure 52 : Day Select

(HR) Sets the current hour.

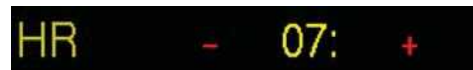


Figure 53 : Hour Select

(MN) Sets the current minute

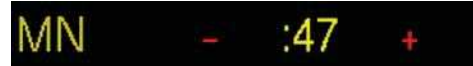


Figure 54 : Minute Select

Navigation Setup

Equipment Connections

The MAQ Sonar system is able to interface with many types of NMEA based systems. In order to connect more than one NMEA device to the Sonar system a NMEA multiplexer or combiner will be required. **NOTE: A Satellite Compass is strongly recommended for accurate Wake Trail Display.**

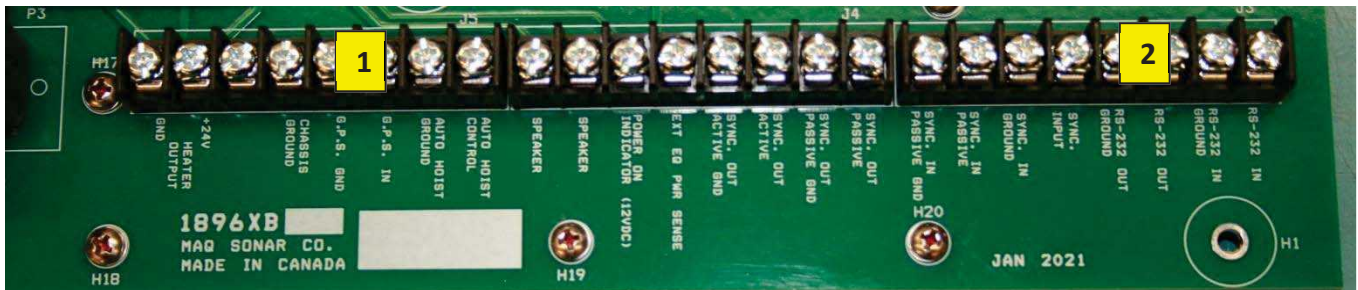


Figure 55 : KA1896 Terminal Strip

NMEA Data Sentences:

The following NMEA data sentences are recognized by the system:

Heading Information

- RMC (*Recommended Minimum Navigation Information*)
- HDT (*Heading - True*)
- HDM (*Heading - Magnetic*)
- HDG (*Magnetic heading, deviation, variation*)

- VHW (*Water Speed and Heading*)
- VTG (*Track Made Good and Ground Speed*)
- ATT (*Proprietary Heading, Pitch and Roll information*)

Speed Information

- RMC (*Recommended Minimum Navigation Information*)
- VHW (*Water Speed and Heading*)
- VTG (*Track Made Good and Ground Speed*)

Latitude/Longitude Information

- RMC (*Recommended Minimum Navigation Information*)
- GLL (*Geographic Position Latitude/Longitude*)⁴
- GGA (*Global Positioning System Fix Data*)

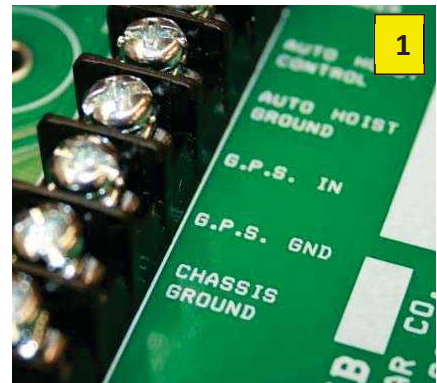


Figure 56 : GPS Terminal

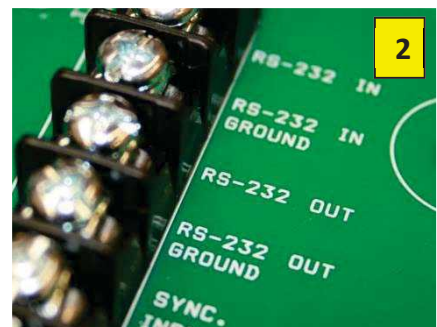


Figure 57 : RS232 Terminal

CHAPTER 6

Operating

Basic Operations

Basic Operation

This assumes the sonar has been installed, the vessel is in the water and there is clearance under the vessel to deploy the transducer safely below the vessel. Also the High voltage has been turned on in the Transceiver.

Note: If the auto Hoist has been connected a Beeping sound will be heard from the Hoist control unit to warn the operator that the Hoist is lowering or raising during Startup or Turn OFF.

Press and hold down on the button lens to the front/left of the joystick paddle using the left hand. Press down on the fire button on the top of the joystick using the thumb of the right hand. As you move the left hand away, the lens will illuminate indicating power to the system.

After a brief screen describing system version and startup status the Operate Panel will be presented--the Tilt menu item is selected by default on startup.

Pick a nearby target (such as a wharf or some other stationary object).

Press the fire button on the top of the joystick and set the Tilt (TL) control to -3° . This setting Main Screen will place the upper region of the transmit and receive beams just below the surface of the water. At a range of 270 meters the beam would be about 2 meters below the surface at the outer regions - the height of the 5° beam at that point would be approximately 27 meters.

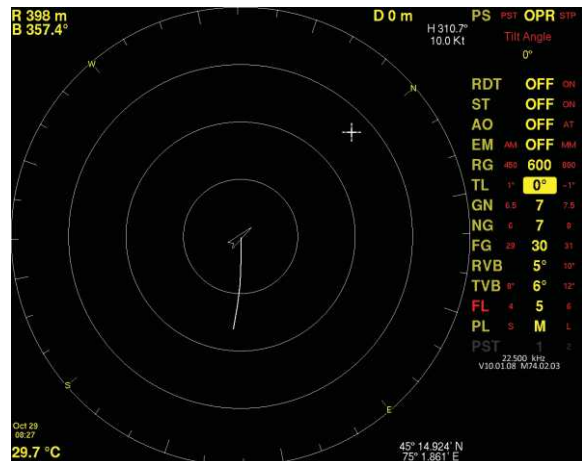


Figure 58 : OPR Panel

Press the fire button on the top of the joystick and move up to select the Range (RG) menu item. Set the system range to a value twice the estimated distance of the target. This will place your target between the second and third rings of the display.

Move down to the Gain (GN) control and adjust to obtain a clearly defined image of the target. Setting this control too high will cause the display to become cluttered. If the target object does not appear in correct orientation to the vessel see the System Setup - Transducer Alignment section. Adjust the gain control until the level of the background clutter is visible without overpowering the display.



Figure 59 : Transducer Beam Graphic



The Near (NG) and Far (FG) gain controls should only be adjusted with the vessel under way. Factors such as salt content and water temperature affect these adjustments.

Reference Operators manual for typical settings.

Switch the Pulse length (PL) to Short pulse. The resolution of the display will increase to display finer detail. The clutter level viewed previously has also increased as the higher system bandwidth used in short pulse transmission opens to acquire this detail. For your reference short pulse is used to obtain maximum resolution on short to medium range targets. Medium to Long pulse settings increase the transmit power and distance while the bandwidth reduces correspondingly to reduce the effect of greater power on the insignificant targets. With the pulse length set to Short pulse, adjust the gain control until the background clutter is easily viewed.

Move up to the top of the menu panel and right-click to the Display menu.

Adjusting the Color Resolution (CR) will affect the appearance and discrimination of the display. 8 colors palette provides distinct transitions while the 64 color palette provides a finer view of the target characteristics.

Peak Detection (PD) increases the high level signal handling of the display to increase the ability to pinpoint the densest population of a school.

Move to select the Clutter Level (CL) control.
Display Menu

The first stages of the Clutter Level control (selections 1 through 6) will cause the system to drop out successive color levels as the control level is increased. Low level signals such as the clutter will fade into the background while higher level targets remain untouched. The upper stages of the Clutter Level control (selections 1a through 6a) compress the lower curve of the color discrimination to reduce clutter detection while maintaining fine level target indication. Higher level targets remain untouched.



Figure 60 : DIS Panel

CHAPTER 7

Panels

TIM Time Panel
AFL Auto Fault Locator Panel
NAV Navigation Panel
SYS System Panel

TIM Time Panel

This panel allows the operator to set the current time and date. The time and date is used for the current time displayed on the sonar display and to time stamp tonnage pictures stored for easier identification on retrieval.

(YR) Year Adjust:

- Sets the current **year** for the system.



Figure 61 : Year Select

(MO) Month Adjust

- Sets the current **month** for the system.



Figure 62 : Month Select

(DA) Date Adjust

- Sets the current **day of the month** for the system.



Figure 63 : Day Select

(HR) Hour Adjust

- Sets the current **hour** for the system.



Figure 64 : Hour Select

(MN) Minute Adjust

- Sets the current **minute** for the system.

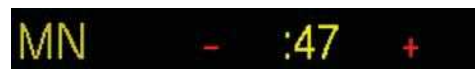


Figure 65 : Minute Select

AFL Automatic Fault Locator Panel

Software Revision Levels:

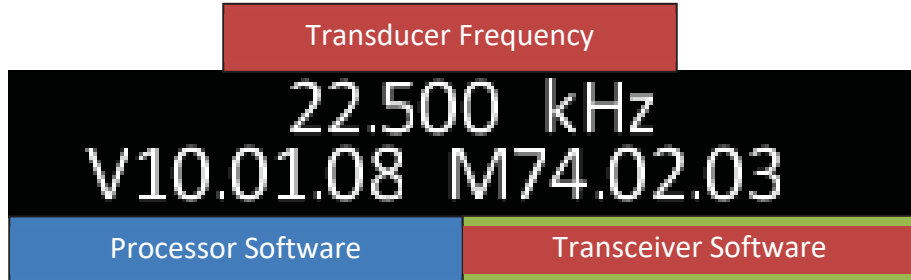


Figure 66 : Software Revisions

Displays the Software Version of the operating system installed along with the software version of the EPROM in the Transceiver Unit.

I/O Display NMEA Input/Output:

Displays all NMEA data received or transmitted by the sonar system. For use diagnosing GPS or "Compass and Ships Log" data. Each data string received will be displayed as it is received. This data will be the only information on the display. Press the Joystick Menu Select Button to exit.

Selections:

- OFF Normal operation.
- IN Displays NMEA data entering the sonar through the GPS input Terminals (*data strings will fill display*).
- OUT Displays the last data sent to the plotter when a Manual Mark is performed on the Event Marker feature (*Operate Panel*).



Figure 67 : I/O Selection

PM Process Message:

Setting Process Message to 1 will display the Interface software version, date of release and the Transceiver Unit software versions to be overlaid on the sonar display.



Figure 68 : Process Message Select

Setting Process Message to 2 will cause the mark history for both Event Marks and Vessel Marks to be overlaid on the sonar display in latitude/longitude coordinates.

ML Menu Lock:

When set to ON this selections will lock every Menu selection that are currently selected. The operator can change any setting but when the Sonar is restarted it will revert back to the Menu settings that were stored when the ML was set to ON.



Figure 69 : Menu Lock

RT Receive Test:

Injects a test signal into the Receiver boards to verify the receive circuitry is operating properly.



Figure 70: Receive Test

ET Element Test:

Element test selections 1 to 16 enables hardware for element receive testing. When 1 is selected the lowest 16 elements on the transducer will be connected to test signal. This will produce a flower type display.

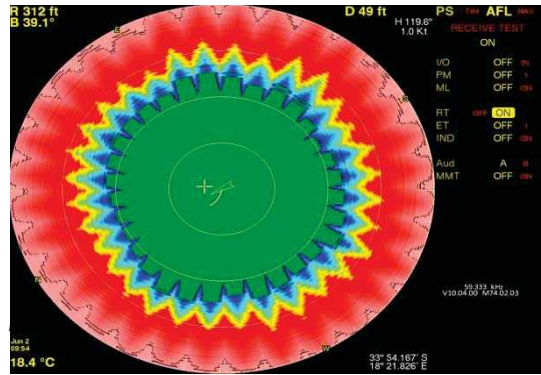


Figure 71 : Element Test

The signal strength for each element will increase in strength and reduce in strength as shown on the above pictures from 1 to 8 and down from 9 to 16. This test must be performed when the vessel is not in motion. Gains will have to be adjusted to provide enough signal strength.

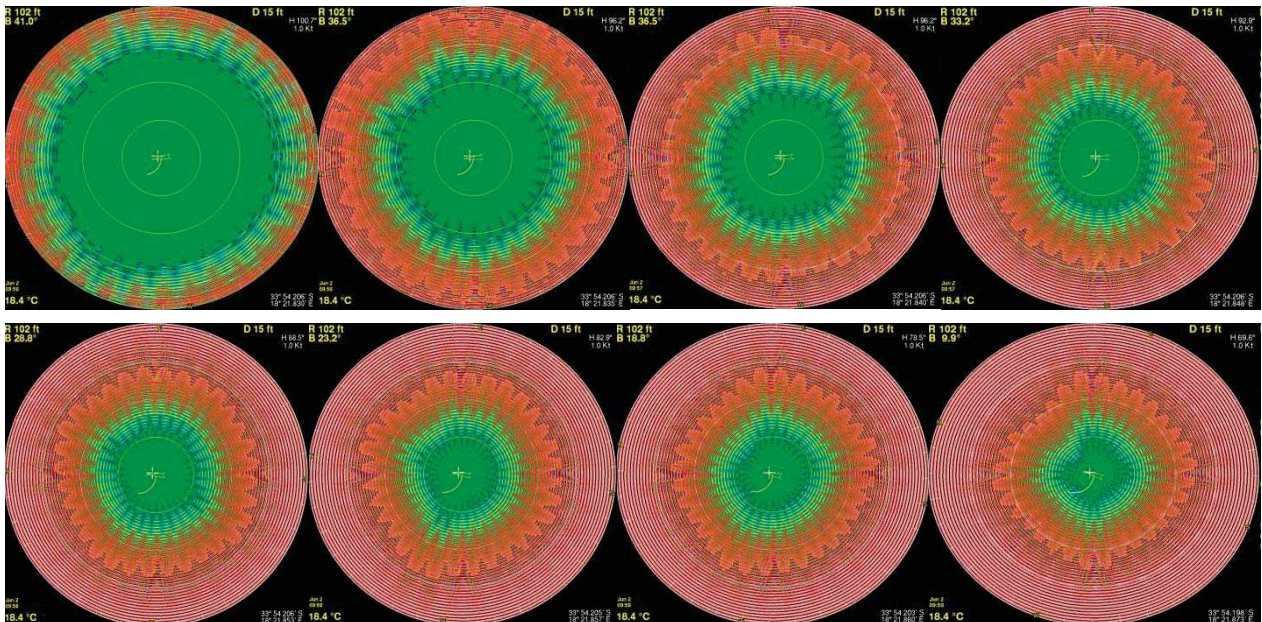


Figure 72 : Element Test 1 - 8

IND Process Message:

Inclinometer testing feature

Displays the current output reading of the Inclinometers Pitch and Roll in a visual display.



Figure 73 : Inclinometer Test

Stabilization must be ON and Inclinometer must be set to type "G".

AUD Audio Select:

Audio Select allows the user to eliminate lower strength signals and noise from audio output.

Selections:

A Filtering OFF

B Filtering ON



Figure 74 : Audio Selection

FGSL Far Gain Spreading Loss:

This feature has been added to the AFL Panel, selection A is recommended when searching for large schools of fish. The B selection is recommended when searching for individual fish.



Figure 75 : Far Gain Spreading Loss

NAV Navigation Panel

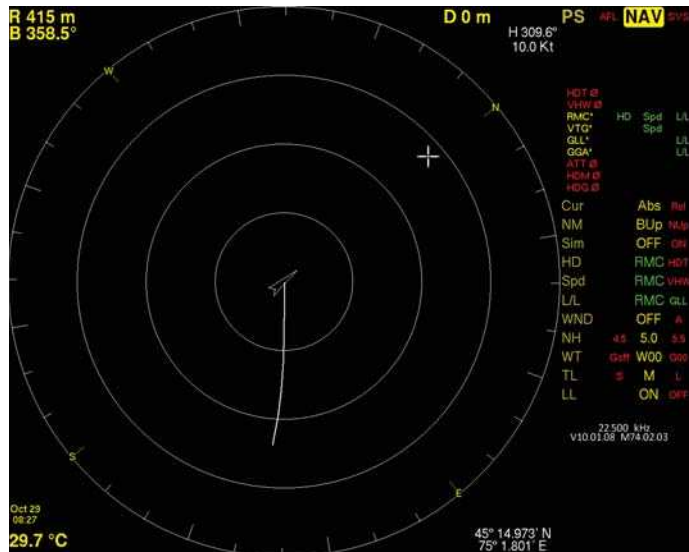


Figure 122 : Navigation Panel

This panel allows the operator to set the various aspects of the navigation system.

The upper section of the panel displays the navigation status of the external device interfaced to the GPS terminals of the sonar allowing the operator to easily determine which NMEA sentences contain valid information.

The operator selects the most accurate NMEA sentence available for heading, speed and latitude/longitude system information. Interfacing to a Satellite Compass is recommended.

Net height adjustment, Wake Trail/Range Ring color and minimum speed to be used by the system are also available.

Navigation Status:

The current status of the navigation system is also reflected in the HD (heading), Spd (speed) and L/L (latitude/longitude) menu item selection text.

Selections presented in the green color indicate a valid choice while selections presented in red were not found to be present in the navigation data and therefore should not be used.



Figure 123 : Navigation Panel Example

In this example the RMC, VTG, GLL and GGA indicators at left (highlight color) are recognized by the system. Valid HD (heading), Spd (speed) and L/L (latitude/longitude) data packets were located for each sentence as demonstrated by the green text to the right of the header.

NMEA headers shown at left (in red text) terminated by a NULL character (Ø) were not found by the system in the incoming navigation data.

Cursor Bearing:

Sets the cursor bearing readout on the sonar display to be either **(Abs)** Absolute (*with respect to North*) or **(Rel)** Relative to the vessel.



Figure 124 : Cursor Bearing Select

NM Navigation Mode:

Selects the display mode for navigation. Two modes are available:



Figure 125 : Navigation Mode Select

(BUp) Bow Up Display:

The display is rotated to position the bow of the vessel pointing to the top of the screen. Echoes move through a combination of the target movement and the speed and course of the vessel.

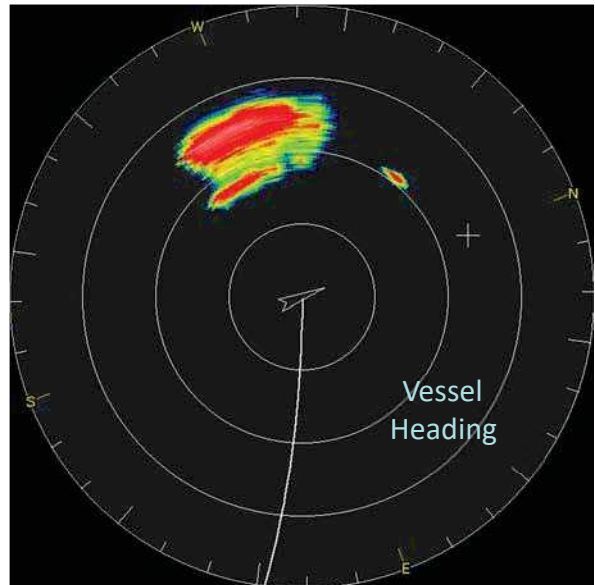


Figure 126 : Bow Up Display

(NUp) North Up Display:

This feature requires that latitude/longitude information is available through the GPS port.

The display is rotated to position true north at the top of the screen. Echoes move through a combination of the target movement and the speed and course of the vessel. A dotted line on the display indicates the direction of the bow.

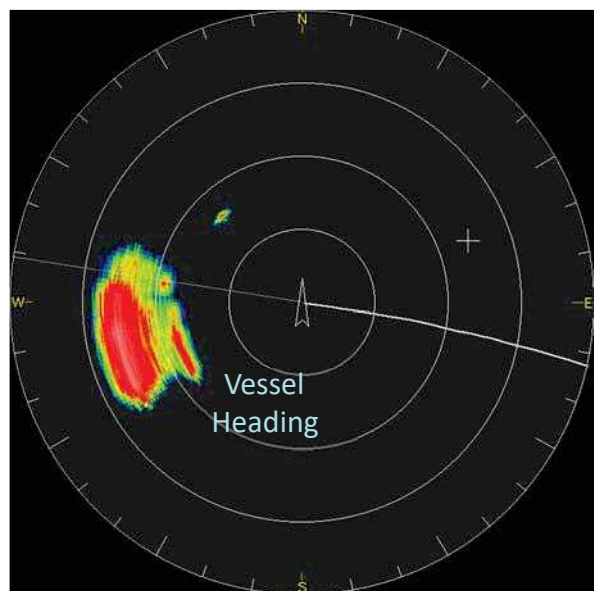


Figure 127 : North Up Display

(HD) Heading Selection:

Selects the NMEA type to determine heading for the system.



Figure 128 : Heading Selection

(Spd) Speed Selection:

Selects the NMEA type to determine vessel speed for the system.



Figure 129 : Speed Selection

(L/L) Latitude/Longitude Selection:

Selects the NMEA type to determine latitude/longitude for the system.



Figure 130 : Longitude/Latitude Selection

(WND) Wind Speed Indicator:

Enable the Wind speed Graphic. This NMEA sentence MWV must be combined into the GPS Input. This sentence must be provided from other equipment. It will display a graphic representation of the wind speed and direction on the sonar display.



Figure 131 : Wind Speed Indicator

NH Net Height Adjust

Presets the height of the trawl net in use by the vessel. If an ITI net monitoring system is connected the Vertical Profile option in the Auto Operations (AO) feature (*Operate Panel*) will present the depth and height of the net in the display. The operator can then determine if the net is in proper position and depth to capture the school of fish. Net height units are always in meters.

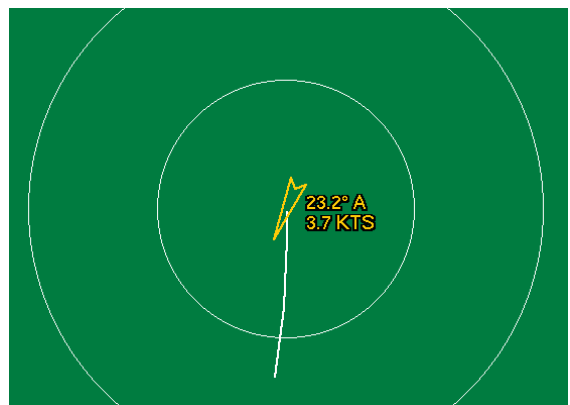


Figure 132 : Wind Speed Indicator



Figure 133 : Net Height Adjust Selection

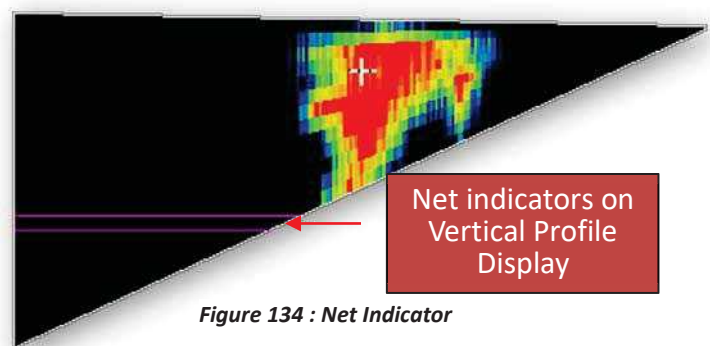


Figure 134 : Net Indicator

(WT) Wake Trail Display:

This feature allows the operator to decide a number of parameters:



Figure 135 : Wake Trail Display

- Wake Trail presence.
- Wake Trail/Range Ring color.
- Minimum speed from the navigation equipment for use by the system.

Selections:

Woff White range rings - wake trail disabled.

Goff Gray range rings - wake trail disabled.

The Navigation Mode setting determines the characteristics of the wake trail:

Bow Up Display Wake trail is solid white or gray.

North Up Display Wake trail is aged to darken over time from either white or gray.

The information provided by GPS-based navigation equipment can become unreliable at very low speeds (for example when the vessel is coming around on a slow turn). Provision is made to allow the operator to preset a minimum speed to be acknowledged by the system.

W00 → W25 White wake trail and range rings. Minimum speed 0 → 2.5 knots.

G00 → G25 Gray wake trail and range rings. Minimum speed 0 → 2.5 knots.

Below this present speed the system will:

- Ignore any Event Marker selections.
- Disable the wake trail.
- Use the Vessel Speed (VS) selection preset on the Setup Panel for filtering and the speed indication on the sonar display.

LL Latitude Longitude display:

Allows the operator to enable or disable the Lat/Long text display on the sonar display.

SYS System Panel

DA Display Alignment:

Bow Up Display must be selected on the Navigation Panel when making this adjustment.



Figure 90 : Display Alignment

Adjust to compensate for any misalignment of the transducer during installation to ensure the bow appears at the top of the sonar display (12 o'clock position). When at sea, noise from the vessel's propeller may be used to position the noise immediately to stern (6 o'clock) on the sonar display.

Selections:

0°→359° (Numbers wrap around)

INC Inclinometer Type:



Figure 91 : Inclinometers Type Selection

Adjust to indicate which type of inclinometer is connected to the system.

Reference: Inclinometer Setup Procedure for Type "G" Inclinometer.

Except for the E type sensor which is external to the system, each inclinometer is marked with the appropriate letter and can be found *located inside the Processor Unit*. The type chosen must match the inclinometer type installed in the system.

Selections:

OFF Inclinometer disabled

E The system will use FEC sentences from a satellite compass at the GPS terminals of the sonar for pitch and roll information.

F or G The system will use the MAQ gyro inclinometer sensor for pitch and roll information.

BW Bow (Pitch) Adjust:

Compensates for pitch related to inclinometer installation offset.

Selections: 0.1 degree increments from -4.0° to 4.0°



Figure 92 : Bow Adjust

In order to make this adjustment, the system must be in stabilized mode:

On the Operate Panel select either Tracking mode (TR), Search mode (SR) or Vertical Tracking mode (VTR).

Ensure that the correct inclinometer type is selected on the System Panel.

When correctly adjusted, the readout on the display should reflect the current pitch offset of the vessel.



Figure 94 : System Panel

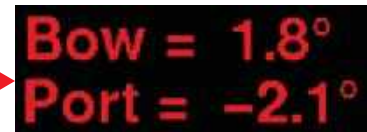


Figure 93 : Inclinometer Tilt Display

PT Port (Roll) Adjust:

Compensates for roll related to inclinometer installation offset.

Selections: 0.1 degree increments from -4.0° to 4.0°



Figure 95 : Port Adjust

In order to make this adjustment, the system must be in stabilized mode:

On the Operate Panel select either Tracking mode (TR), Search mode (SR) or Vertical Tracking mode (VTR).

Ensure that the correct inclinometer type is selected on the System Panel.

When correctly adjusted, the readout on the display should reflect the current pitch offset of the vessel.

FQ Frequency Adjust:

Adjust to fine tune the transducer frequency to ensure maximum target strength. The transducer frequency is displayed above FQ (e.g. 90.0 kHz). The optimum frequency will vary slightly for each unit. The frequency changes in discrete steps (e.g. 0.500 kHz steps for a 90 kHz transducer).



Figure 96 : Frequency Adjust

This setting is essential for best sonar performance.

Adjustment:

90 KHz 0.500 kHz steps (78.50 kHz to 101.50 kHz).

Tuning the transducer is similar to checking the resonance of bell or tuning fork. Resonance can vary from transducer to transducer and can change slightly as the Transducer ages. The transducer frequency must be tuned for maximum performance.

While stationary in port adjust the Range, Gain, Near Gain and Far Gain controls (on the Operate panel) to obtain a stable target on the display of medium strength. Choose a fixed position target such as the shoreline or a standing vessel.

Switch to the System Panel and vary the Frequency Adjust to ensure maximum target Strength.

TA Temperature Adjust:

Compensates for any offset in the water temperature readout on the sonar display.

Adjustment:

- $\pm 5.0^\circ$ (Centigrade) in 0.5° steps.



Figure 97 : Temperature Adjust

Tsh Transducer Shield:

Compensates for signal attenuation due to the transducer shield (if installed). Attenuation increases with greater tilt angles for shielded transducers.



Figure 98 : Transducer Shield

Adjustment:

- OFF** Stainless Steel transducer shield removed or 60/90 kHz ABS shield installed.
- ON** 22 KHz Stainless Steel shield installed.

MS Maximum Vessel Speed:

Maximum Vessels Speed (MS) will automatically retract transducer once set speed has been reached.



Figure 99 : Maximum Vessel Speed

CP Communications Port:

This selection should never be adjusted.

If a com port fails the 2 com port cables could be interchanged and the CP selection on the system panel must be changed to allow temporary operation using the other com port.



Figure 100 : COM Port Select

Selects the serial port on the Computer Interface Unit which communicates with the Transceiver Unit (hardware cable connection). This setting should not be altered unless a change in the system wiring is causing a NO DATA RECEIVED condition.

Selections:

- C2** Serial port COM2.
- C1** Serial port COM1.

CHAPTER 8

Electronics

Electronics Descriptions
Troubleshooting Electronics

Electronics Descriptions

KA3608 PROCESSOR UNIT ASSEMBLY:



Figure 101 : KA3608 Processor Unit

KA3602 TRANSCEIVER UNIT ASSEMBLY:

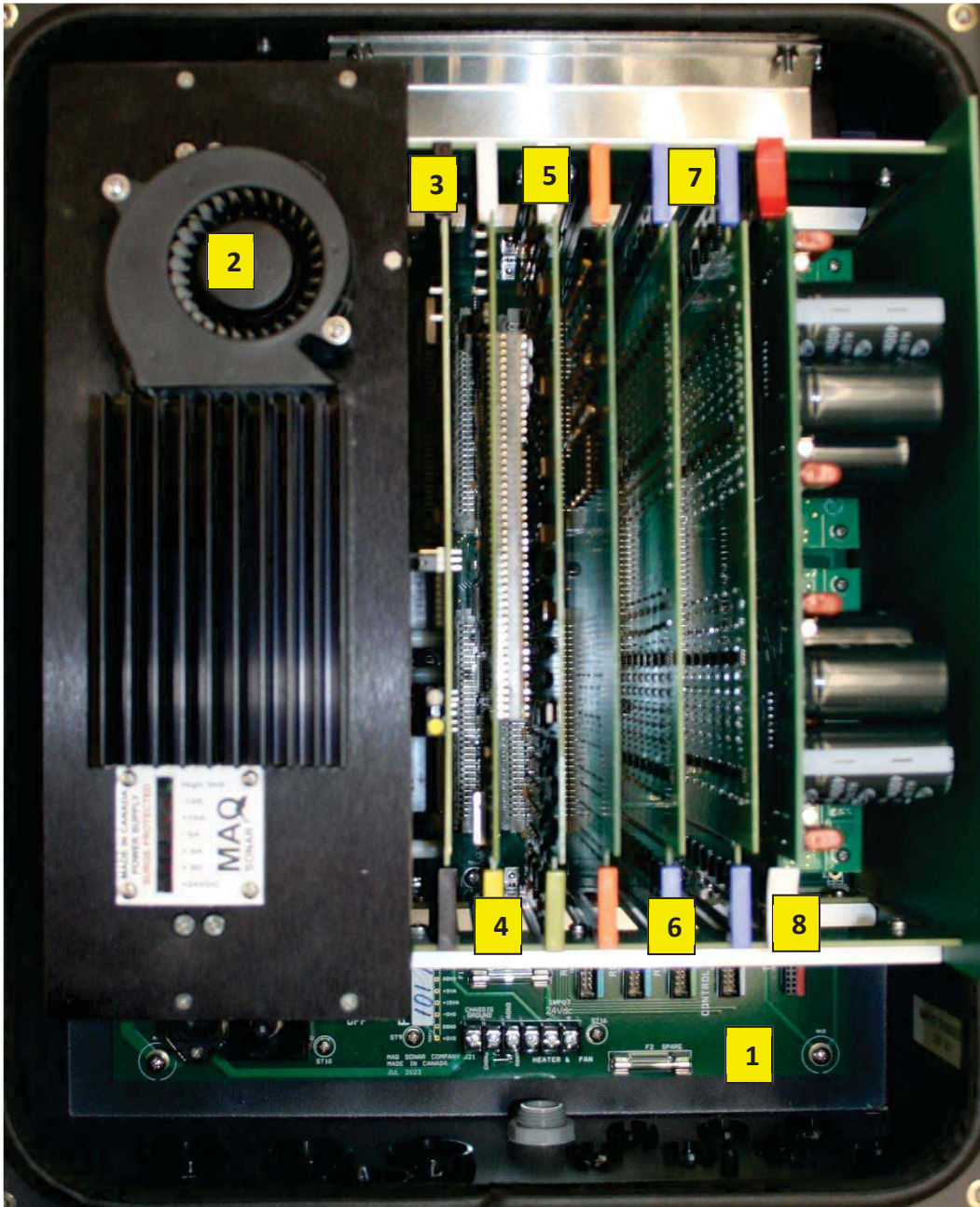


Figure 102 : KA98002 Transceiver Unit

KA3608 – Processor Unit

- Controls the system and presents the display to the operator.
- Typically in the Wheel house in a well ventilated area.

1. **KA1872**-Processor Unit Interface Board

- Supplies Digital power for the processor Unit and all System Fans. ---
- Interfaces all
- External inputs from Joystick, Navigation and Synchronization to Industrial computer as well as supports Ethernet I/O from Transceiver

2. **KA3669**-Industrial Computer Assembly

- Receives all Data I/O thru the KA1872
- Performs all Digital Signal Processing as well as Display and user interface.

3. **KA1896**-Processor Unit Motherboard

KA3602 – Transceiver Unit

- Analog and digital circuitry for transmit and receive.
- Typically in Sonar room or engine Room. Room temperature but not mounted near engine or heat source. Less than **50°C** several meters from the hoist unit.

1. **KA3697**-Transceiver Motherboard

2. **KA1817**-Transceiver Power Supply

- Supplies all Digital and Analog Voltages for the Transceiver as well as Isolating and Controlling Charging voltage for Transmitters.

3. **KA1849**-Transceiver Interface Board (**Black**)

- Interfaces the Processor to Transceiver I/O data. The VCO's (Voltage Controlled Oscillators) which allow Different Frequency Transducer to connect to the same set of electronics are also on the board.

4. **KA3645TI**-Transceiver Control Board (**Yellow**)

- Contains the Microcontroller and software as well the bus control timing for driving the transceiver.
- Performs the Analog to Digital conversion of all received signal and passes the digital samples to the KA1849 Interface Board to be sent to the Processor Unit for signal processing.

5. **KA3603-Transceiver Tilt Board (Green)**
 - 4 per system 64 channels per board
 - Generates all transmitters and receive drives for the Sonar transmit and receive samples and tilt control.
6. **KA1814-Transceiver Mux Board (Orange)**
 - 1 per system 4 Channels per board
 - Multiplexes all Receiver board channels to the Control Board for the A/D converters.
7. **KA1891-Receiver Board (Blue)**
 - 2 per system 16 channels per board
 - Receiver all Analog Receive Data filters and amplifies the Data for the A/D converters
8. **KA3690-Transmitter Board (Red)**
 - 4 per system 16 channels per board (256 channels per RDT system)
 - Generates +/-350V outputs for the transmitter pulses of the transducer. Inputs from the KA360303 Tilt boards. Outputs to transducer.

All paired (same color) boards can be interchanged. Revisions should not be mixed. Newest revision Boards are backward compatible.

KA9 04-90KHz Transducer – 4” Sea-Chest
 KA6004-60KHz Transducer– 8” Sea-Chest
 KA2204-22KHz Transducer– 18” Sea-Chest
 KA1805-Joystick Assembly - Mounted near operator.

Troubleshooting Electronics

Note: All Systems shipped from Factory are preset at 230VAC operation for the electronics.

- 1) Problem “**No Data Received**”.

Disconnect Transducer while troubleshooting.

Processor

+12 Volt FAN light on KA1872 board inside the PROCESSOR UNIT must be on (This indicates there is AC power supplied to the Processor Unit). If not check power source and fuses on KA1872 board (Processor Unit Interface Board). Replace KA1872.

Power ON Sonar by simultaneously pressing both the red buttons of the Joystick. You must hear the start-up beep of the computer on power-up. MAQ Sonar Operator's panel must appear on the monitor.

LED1 Flashing (Trans)

LED1 will flash at a steady rate. This indicates the proper computer serial port is sending messages to the KA1872 and it is sending the message to the Transceiver (this will vary with range scales). Latest system uses Ethernet communications.

- If LED1 is not flashing change CP (Com Port Select) setting on SYS (system panel ref. operators manual)
- Ensure correct Software revision and reformat computer and reload software
- Check cable connection from computer to motherboard
- Replace KA1872
- Replace computer
- Replace motherboard

Transceiver

All lights on lid of case must be ON (1817 power supply LEDs VOLTAGE INDICATORS)

- Check AC from Processor unit. Check power cable for AC.
- Check 24VDC heater voltage on Heater Input Voltage on J21.
- Replace Power Supply KA1817.

LED2 Flashing

Indicates **KA1849** Black Board is receiving message from Processor Unit KA1849 PCB.

(this will vary with range scales and should match the rate of the Trans LED on the KA1872 board)

- If not flashing in synchronization with KA1872 LED1 check cable connection KA1837 Interface cable / Ethernet cable.

- Replace KA1849 (Interface Board)
- Replace KA1837 (Interface Cable) / Ethernet cable.
- Replace motherboard in Processor KA1896
- Replace motherboard in Transceiver KA1897

LED3 Flashing

Indicates **KA1849** has transferred message from KA1845 and understands the message.

- If not Flashing ensure correct software revisions.
- Replace KA1845
- Replace motherboard

LEDS4

KA3690 (64) Lights all flashing Indicates transmitters are operating properly and there are no damaged channels. (Transmitter channels are damaged when transducers are damaged) (LEDs flash rate must match 1845 LED flash rate).

- If no lights on the KA1890 are flashing check High Voltage switch is set to ON
- If some lights are not flashing disconnect transducer and replace board if all lights are still not flashing. Individual Channel Boards can also be replaced. Typically Fuse is blown on channel boards if they have failed.
- Replace Power Supply KA1817
- Replace motherboard
- LEDS5

KA1872 Lights all flashing indicates Message received from transceiver to processor and “NO DATA RECEIVED” on the display indicates message is not correct.

- Reformat and reload software. (Ensure Correct Revision Levels)
- If LEDS are not all flashing in synchronization replace KA1872.
- Replace KA1849
- Check cable connection KA1837 Interface cable.
- Replace KA1837 Interface Cable
- Replace motherboard

If “No Data Received” is still flashing check the connection of the 100pin SCSI cable from the Computer to the motherboard of the Processor unit. If not change PCI-7300 I/O board. I/O board must be detected on the BIOS start-up page of the Computer.

- Replace Computer

CHAPTER 9

Maintenance

Standard Maintenance Checks
EU Declaration Conformity

MAQ Standard Maintenance Checks:

Transducers:

1. Zinc Anodes mounted on transducer pipes must be inspected when possible and replaced yearly. (excessive erosion of Zinc Anodes indicates improper grounding)
2. Transducer must be inspected yearly. Signs of aquatic life accumulation on the shield or inside the shield must be corrected for best sonar performance (see transducer maintenance procedure). Remove shield if required and clean transducer active face and shield with muriatic acid.

Hoists:

1. Hoists Actuators should be inspected monthly for sufficient grease on Actuator shaft.
2. Packing glands should be greased and checked for leaks regularly. Replace packing material as required. (Caution do not over tighten hoist compression gland as it will overload the actuator)
3. Hoist pipe and Sea-chest must not vibrate. If this is occurring inspect Sea-Chest guides for excessive wear or improper adjustment and readjust or replace UHMW slider blocks or improve support to Sea-Chest.
4. Hoist pipes must be connected to ships electrical ground at all times. (ensure pipe is properly grounded)
5. Hoist pipe openings must not be exposed to water or spray. If water is detected inside hoist pipes this may indicate problems with the transducer to pipe interface and should be corrected immediately.

Electronics:

1. All cases must be connected to ships electrical ground at all times.
2. When inspecting electronics, ensure AC power is disconnected before changing boards, connecting cables, or removing, or replacing parts.
3. Fans must be checked for free running operation regularly.
4. All Indicator Lights must be Lit or flashing appropriately. (See troubleshooting section)
5. Cases must be positioned in areas free of continuous water spray and in an area with maximum ambient temperature of 40°C.
6. Case seals should be inspected for signs of water leakage. Cases should be inspected for signs of corrosion.
7. Appropriate fuses must be installed if changing main AC supply voltages or upgrading to RDT. (Standard fuse will be installed before shipping from factory)
8. Ensure all cable connections are securely fastened.

EC DECLARATION OF CONFORMITY
In accordance with EC EMC directive 1999/05/CE

Product/model name: MAQ Sonar
Product description: Omni Directional Fishing Sonar
We the manufacturer: MAQ Sonar Company div. of Helo Enterprises Inc.
Address: 9 Church Street
Finch, Ontario
K0C 1K0
Country: Canada

the essential requirements of the directive following standards or other normative documents.

Date: October 4th, 2010

*E.E. Hill
President
MAQ Sonar Company
div. Helo Enterprises Inc.*