

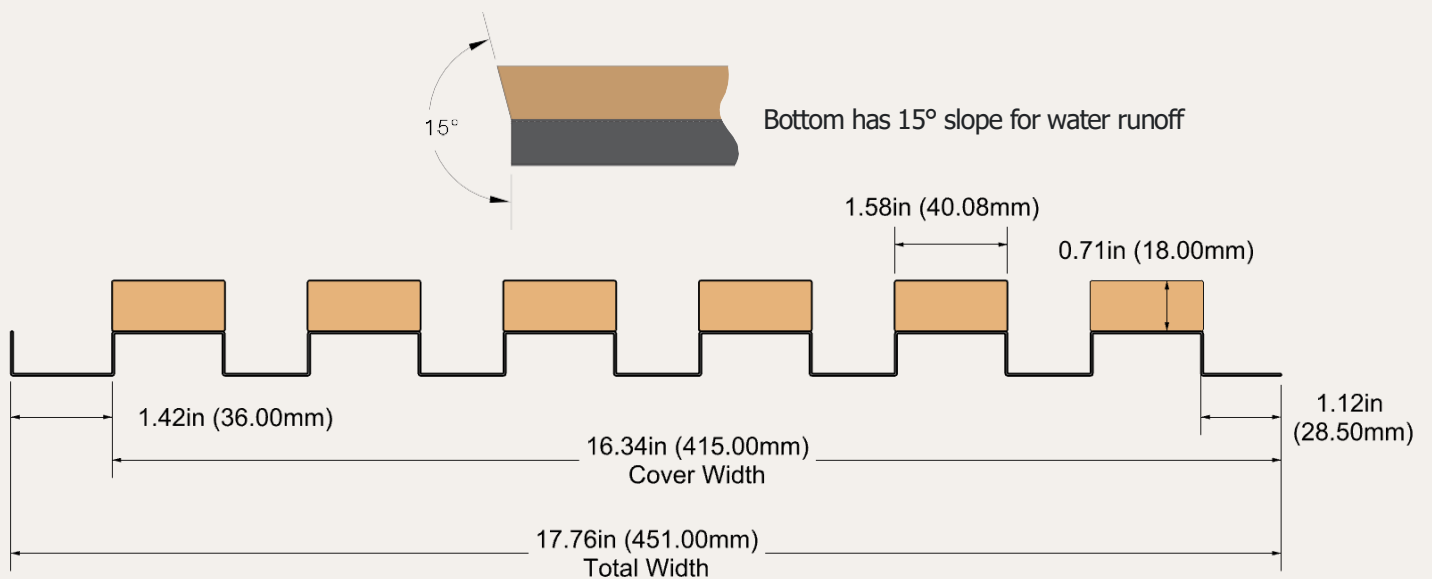
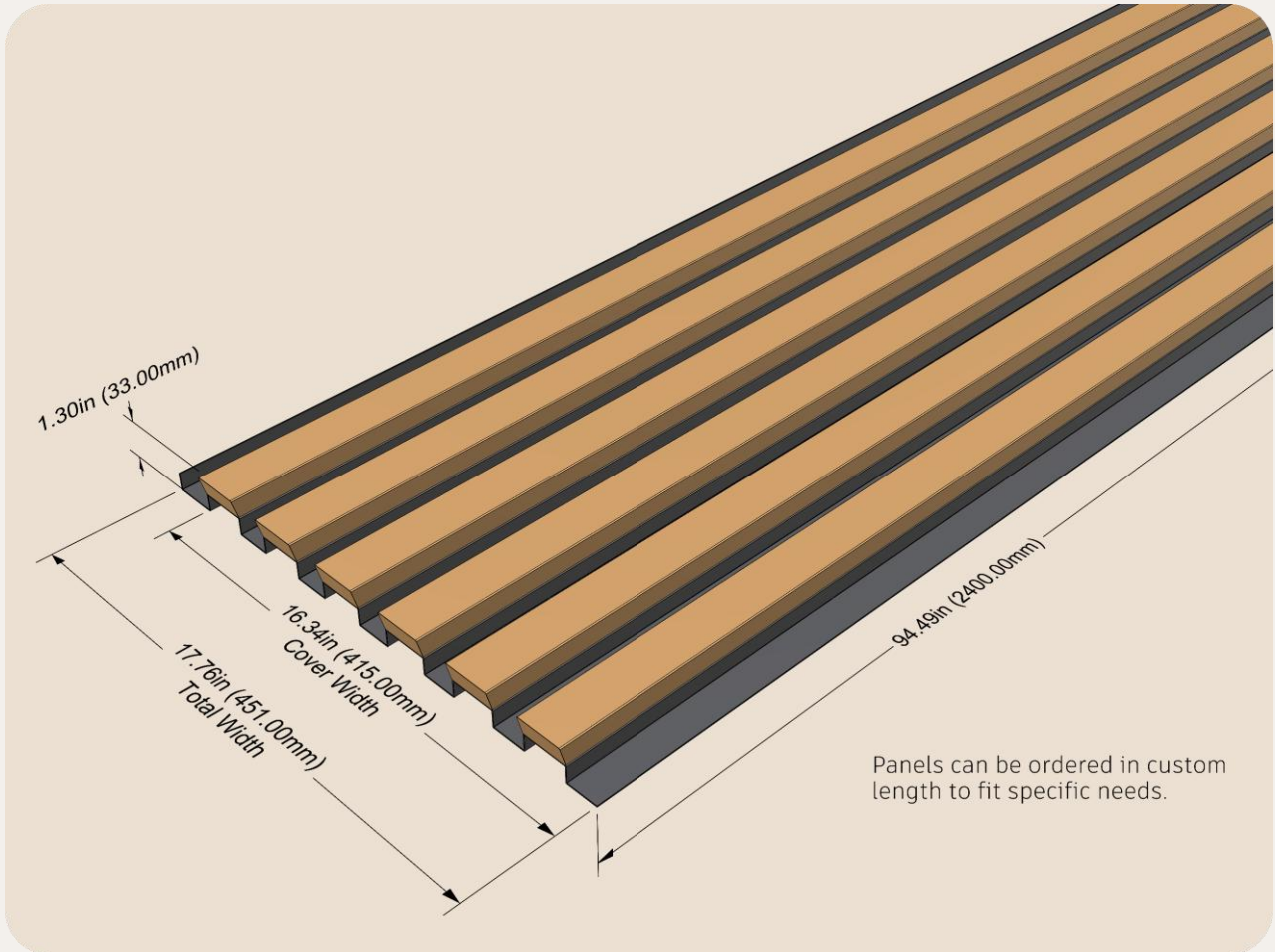


Aluwood
Installation guide

WOOD  UPP

Aluwood panels

Aluwood outdoor panels are durable exterior cladding panels designed for outdoor use. They combine thermally modified solid wood with the strength and weather resistance of aluminum, making them suitable for facades, fences, and decorative exterior walls.



Content

1 Products

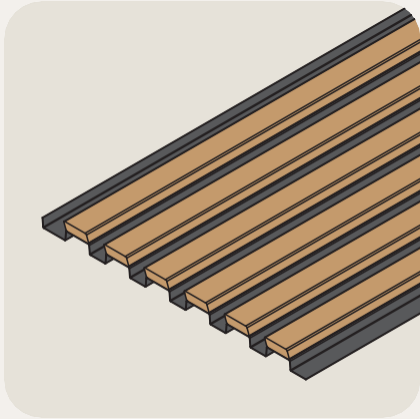
2 Tools & Materials Required

3 Safety Information

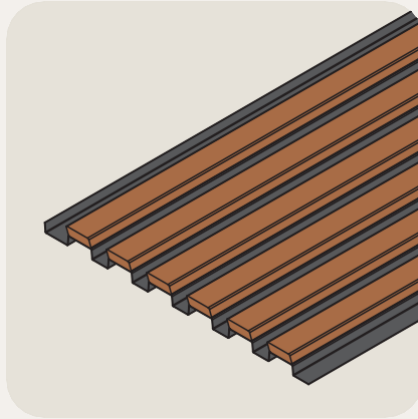
4 Panel Installation Steps

Products

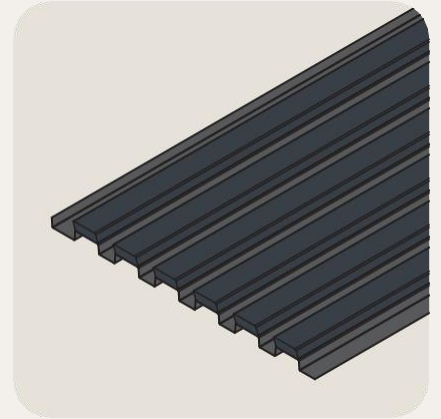
All products are 94.49 inches(2400mm) long and Approx. weight is 16.5lb(7.5kg) with wood, 6.6lb(3kg) without wood



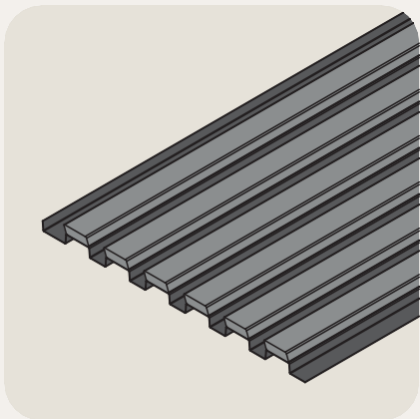
Aluwood - Brown



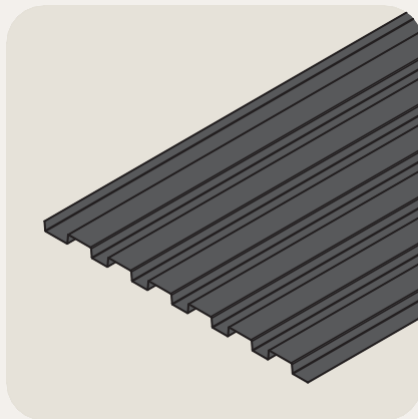
Aluwood - Oiled Brown



Aluwood - Black



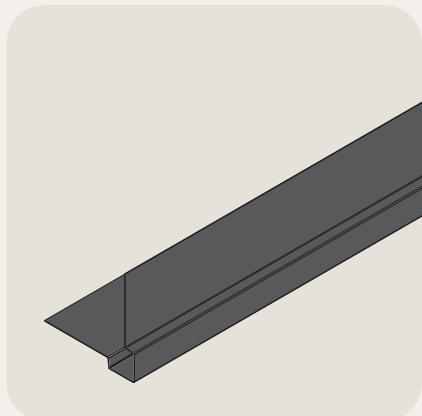
Aluwood - Grey



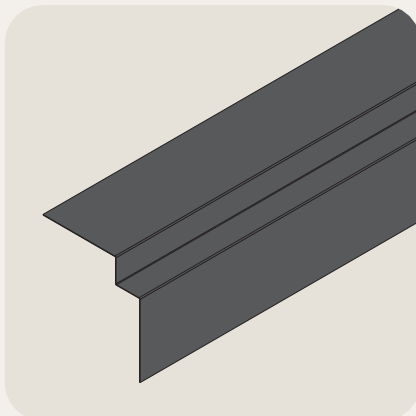
Aluwood - Alu (No wood)

Available Factory Trims & Hardware

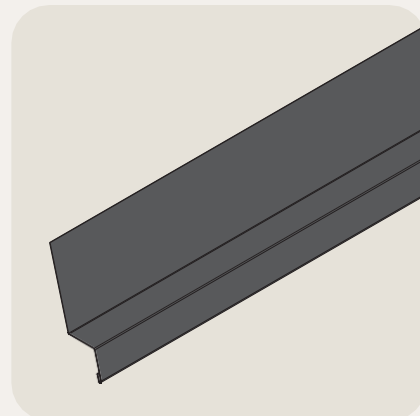
All products are standard 94.49 inches(2400 mm) long



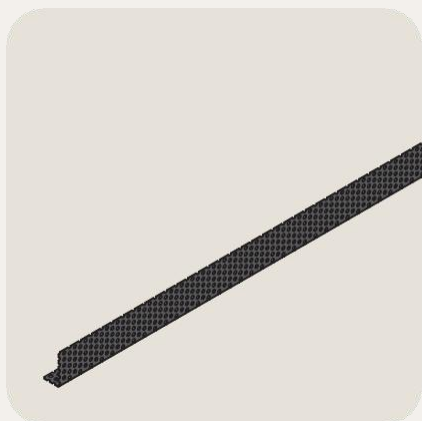
Outside corner p. 14



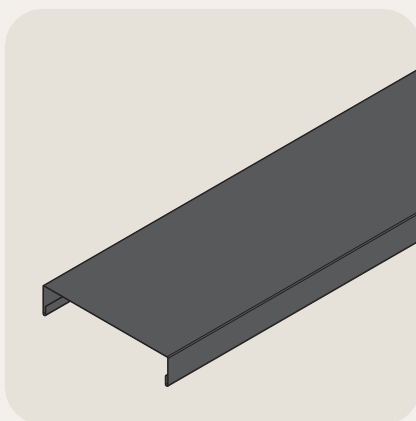
Inside corner p. 15



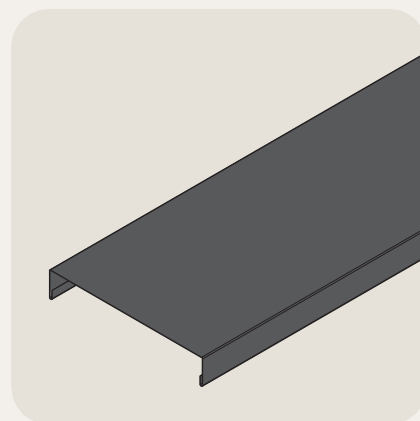
Starter / Transition - p. 16-17



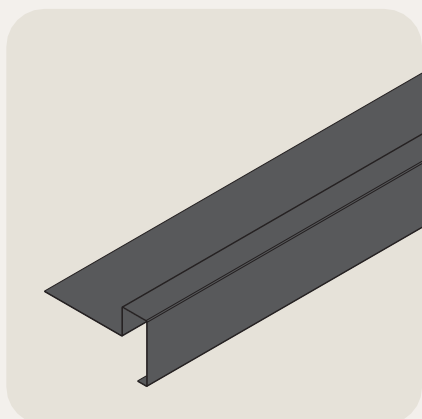
Vent screen - p. 18



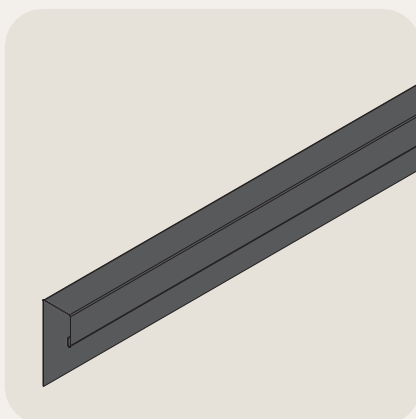
Wall Cap 8" - p. 19



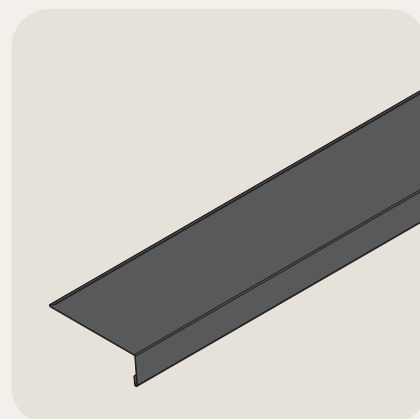
Wall Cap 10" - p. 19



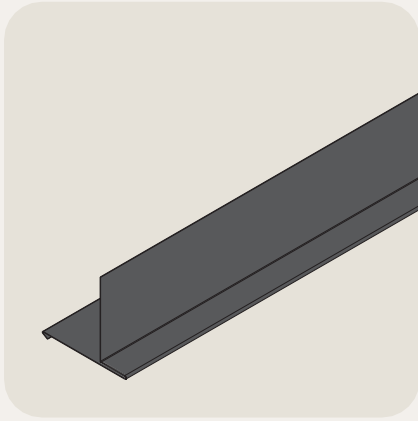
End Cap - p. 20



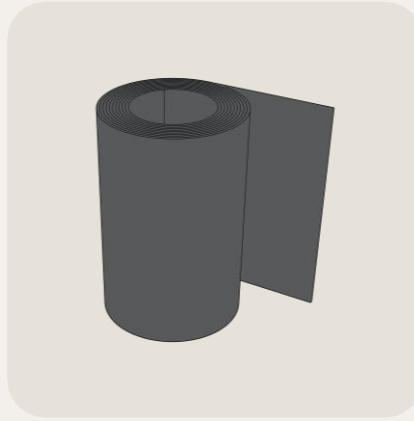
J-Trim p. 21



Window Sill Flashing - p. 22



Flashing Trim - p. 23-24



Trim Coil



Aluwood back screws

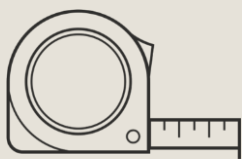


Aluwood front screws
(mounting on wood)



Aluwood front screws
(mounting on steel / aluminum)

Recommended tools & materials



Measuring Tape



Pencil/marker



Level



Power drill



T20 Torx Bit Driver



Circular saw



Utility knife



Metal snips

Suitable WRB

(Weather Resistant
Barrier Housewrap)

**Battens/Furring
Strips**

**Hand Seamer
Or
Metal Sliding Brake**

Recommended safety information



Wear protective gloves and safety glasses during installation



Use proper lifting techniques when handling panels



Follow all local building codes and regulations



Do not install panels in extreme weather conditions (heavy rain, strong wind)

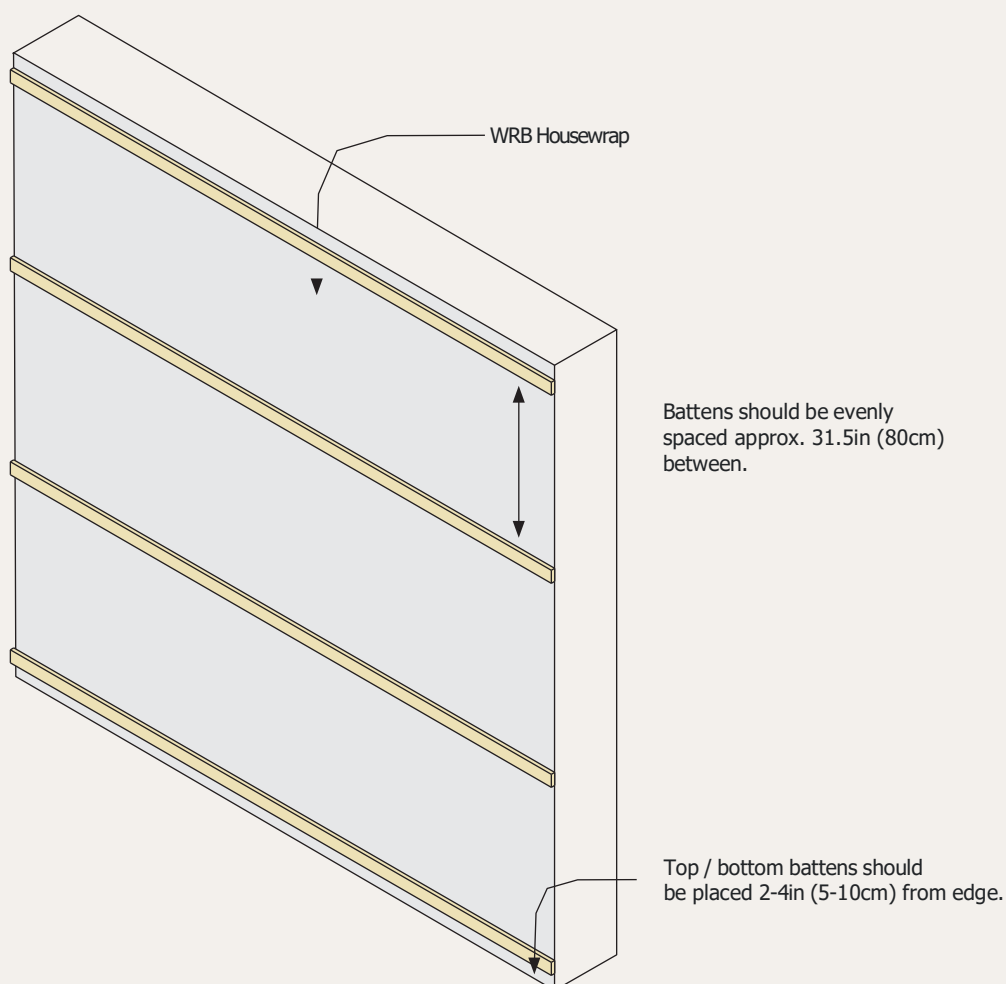
Surface Preparation

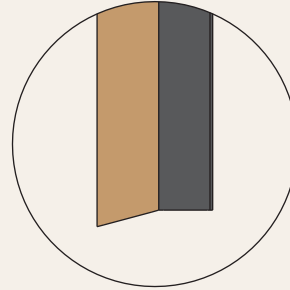
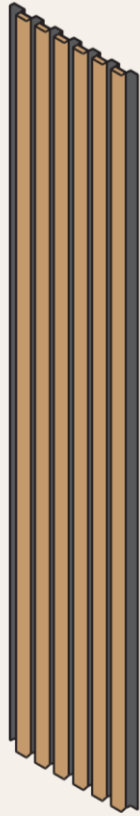
1. Ensure the installation surface is **clean, dry, and structurally sound**
2. Install **Housewrap/WRB** to exterior wall surface
3. Install **Battens/Furring Strips** Horizontally
 - o Battens/furring strips should be evenly spaced (top and bottom appx. 1-1/2" from ends and then centered appx. 29-1/2" apart)

Recommended installation

Step 1: Measure & Plan

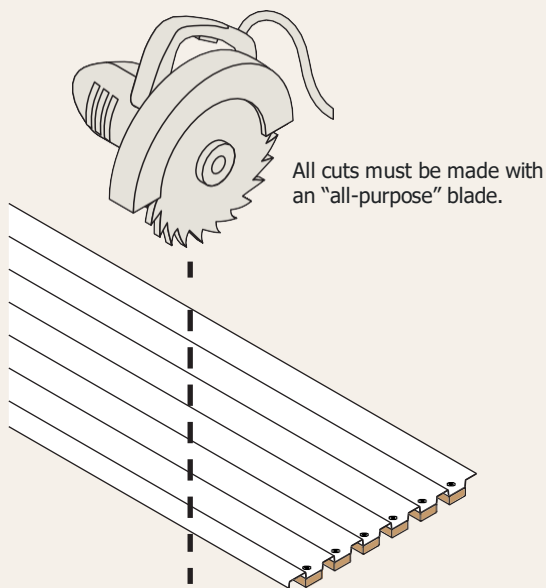
- Measure the installation area
- Plan Panel Layout and needed trim components before installing
- Install battens/furring strips horizontally





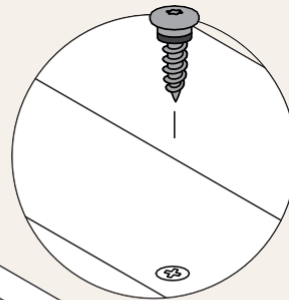
Note the bottom edge of the panel has a 15 degree slope for runoff.

Make necessary cuts required for proper panel and or trim fitment



All cuts must be made with an "all-purpose" blade.

6x
SKU7926 screws

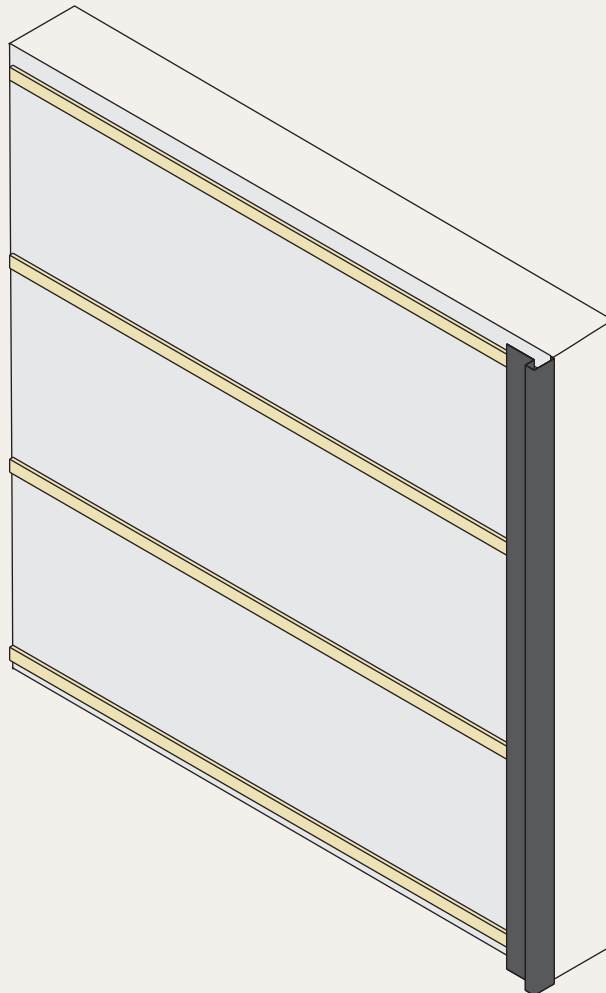


IMPORTANT! Be sure to securely fasten the slats to the aluminum from the backside along any cut areas.

Screw 3/8th of an inch (1cm) from cutline.

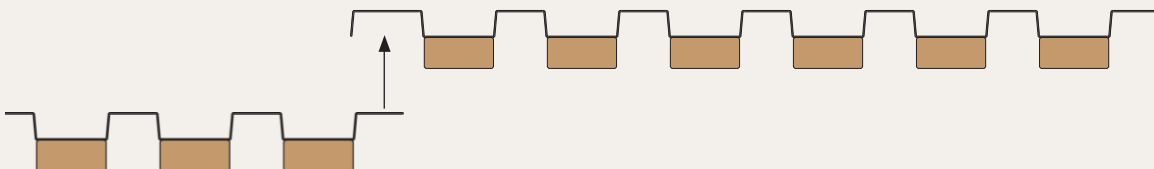
Step 2: Install the Panels

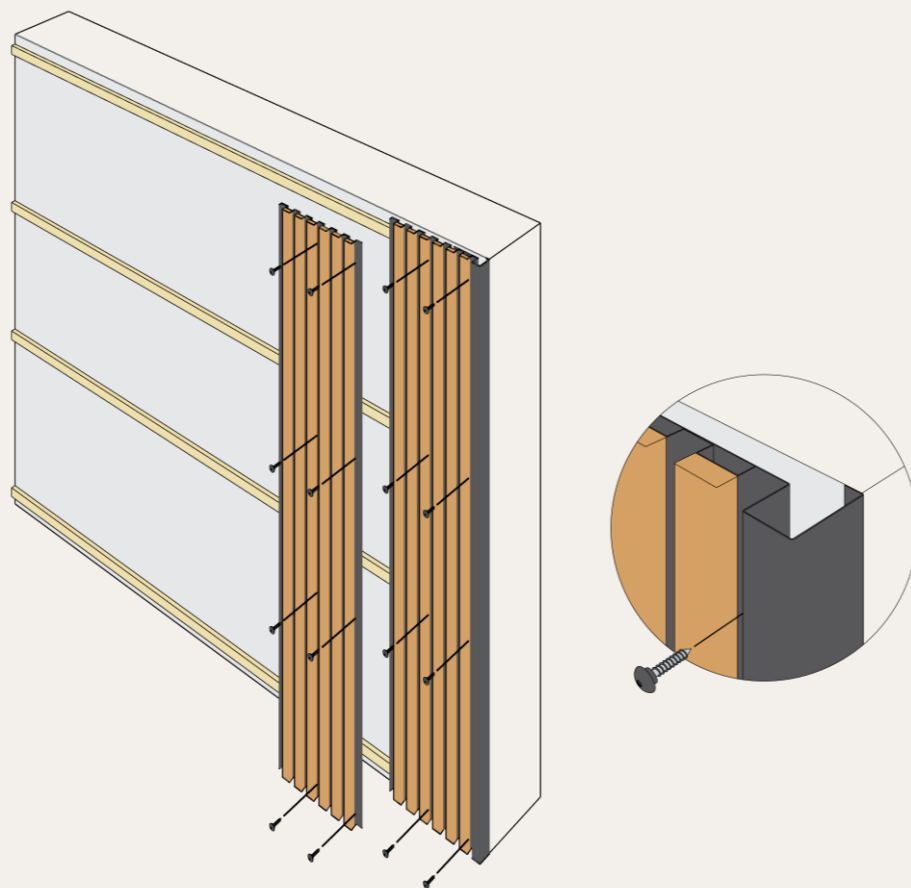
- Install any needed “starter” trim along bottom and side edge so that panels will be on top of the trim to aid in keeping moisture out.



Example!

- Start with side trim and suggested direction is from right to left, but both is possible. Panels will overlap and interlock as shown below

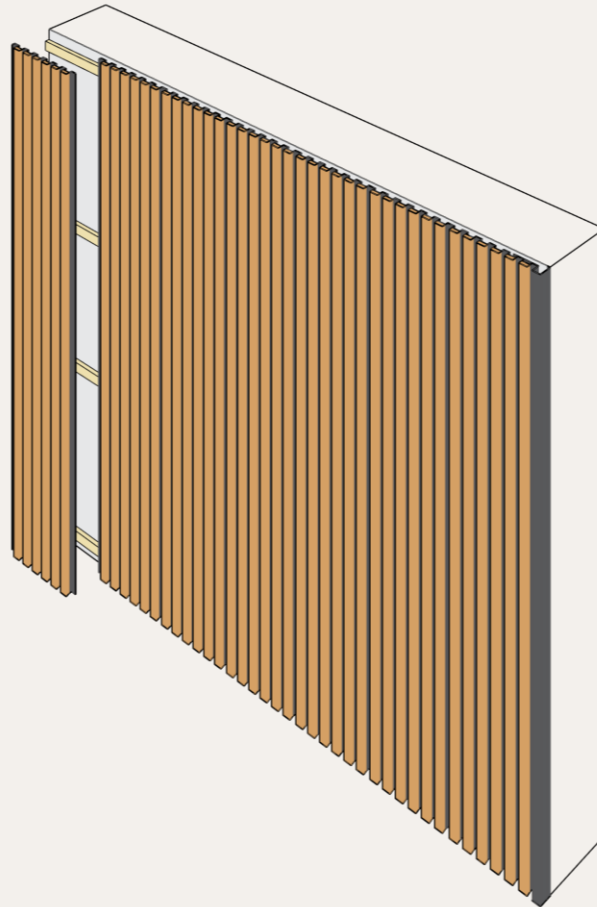




- Position the panel and check for plumbness using a level.
- Use a snap line so that screws will be centered on the battens/furring strips and aligned straight along the wall.
- Secure the panel to the battens/furring strips with the mounting screws leaving out screws along edge where adjacent panel will overlap.
- Do not overtighten screws — Keep screws straight and tighten just enough to seal the rubber washer.
- Install adjacent panels by overlapping the previously installed panel and checking vertical alignment frequently for perpendicularity.

Step 3: Finishing

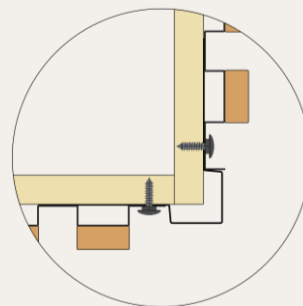
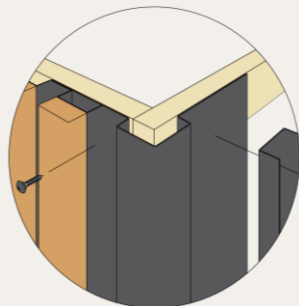
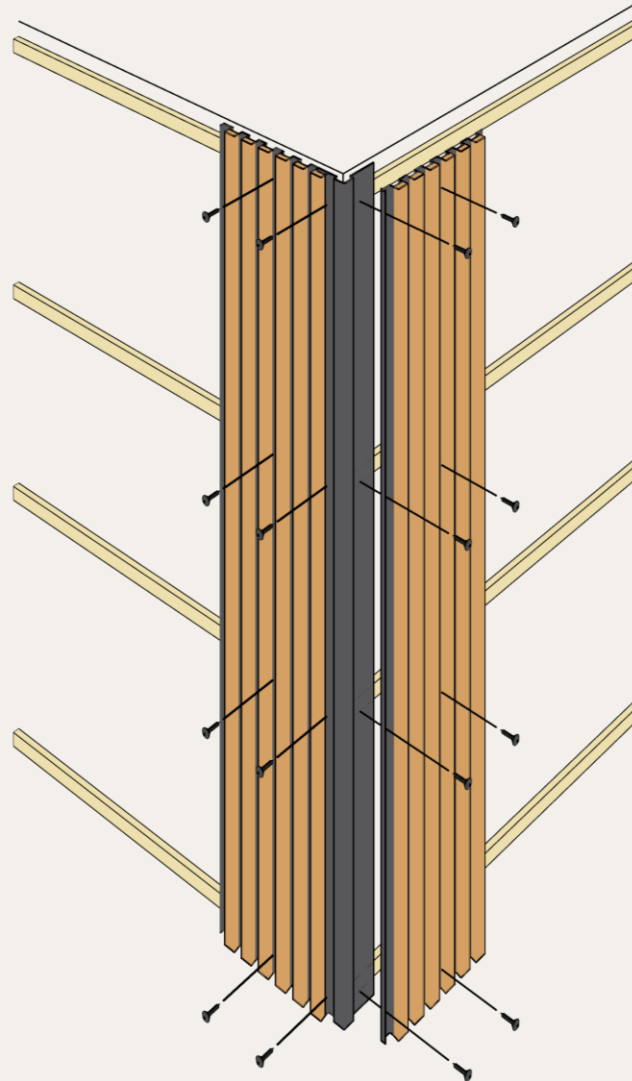
- Inspect all attachment points and proper panel overlapping.
- Install any remaining trim components needed to complete the installation area



Example!

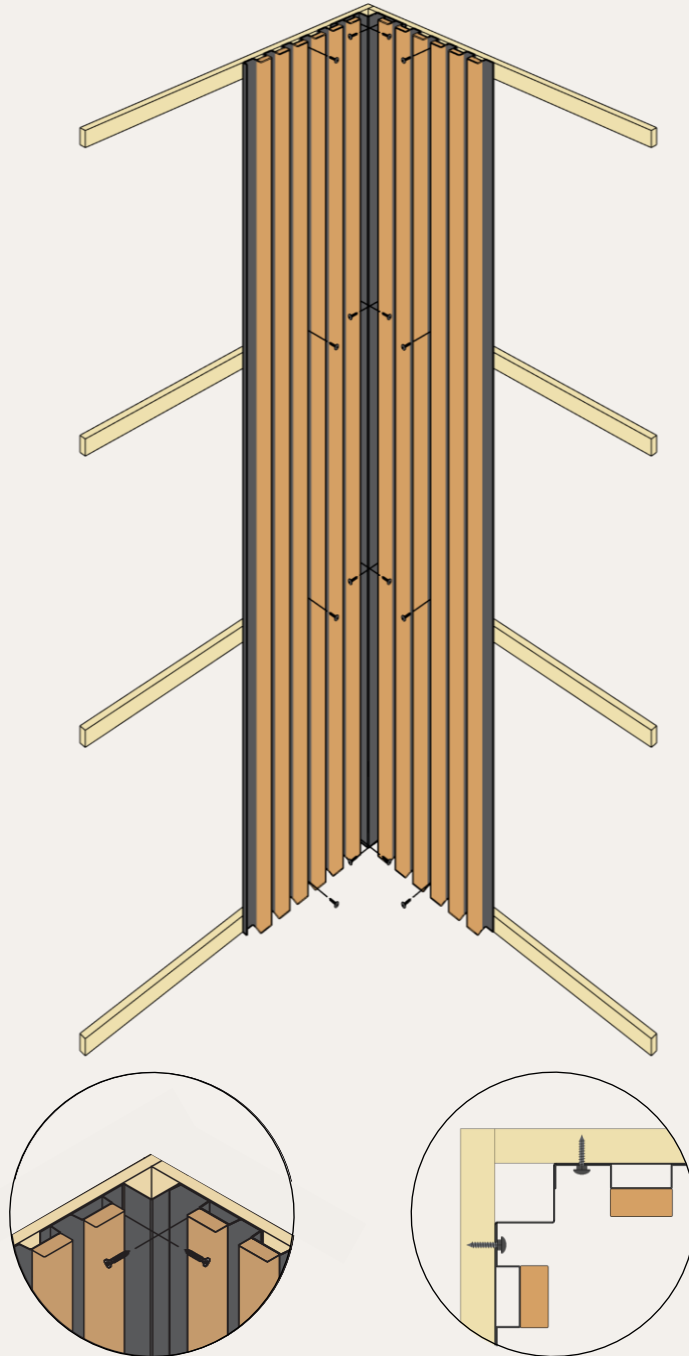
Installation application details

Option 1: Outside Corner Trim



Installation application details

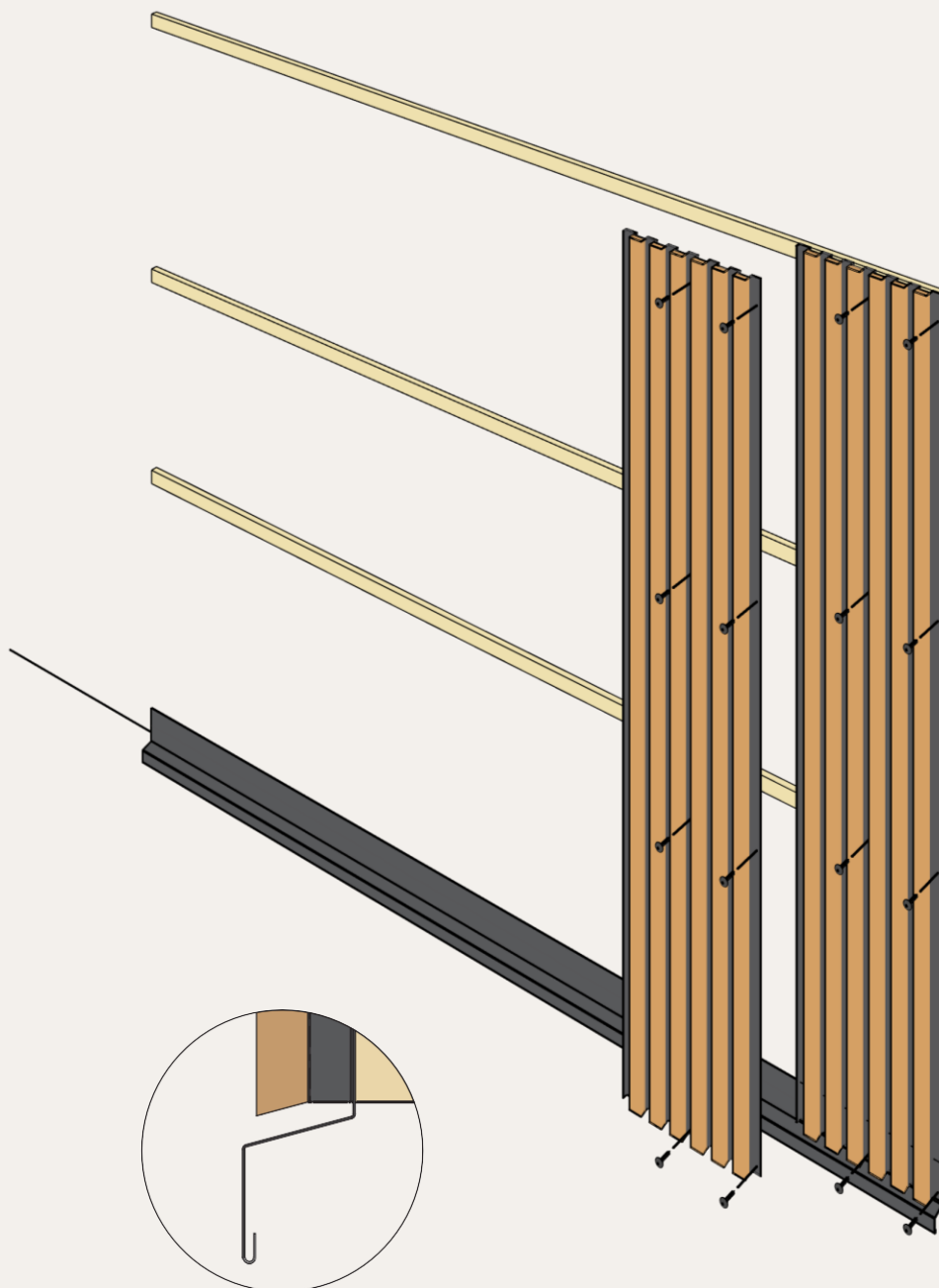
Option 2: Inside Corner Trim



This piece can also be used to join a wall and ceiling.

Installation application details

Option 3a: Starter / Transition Trim



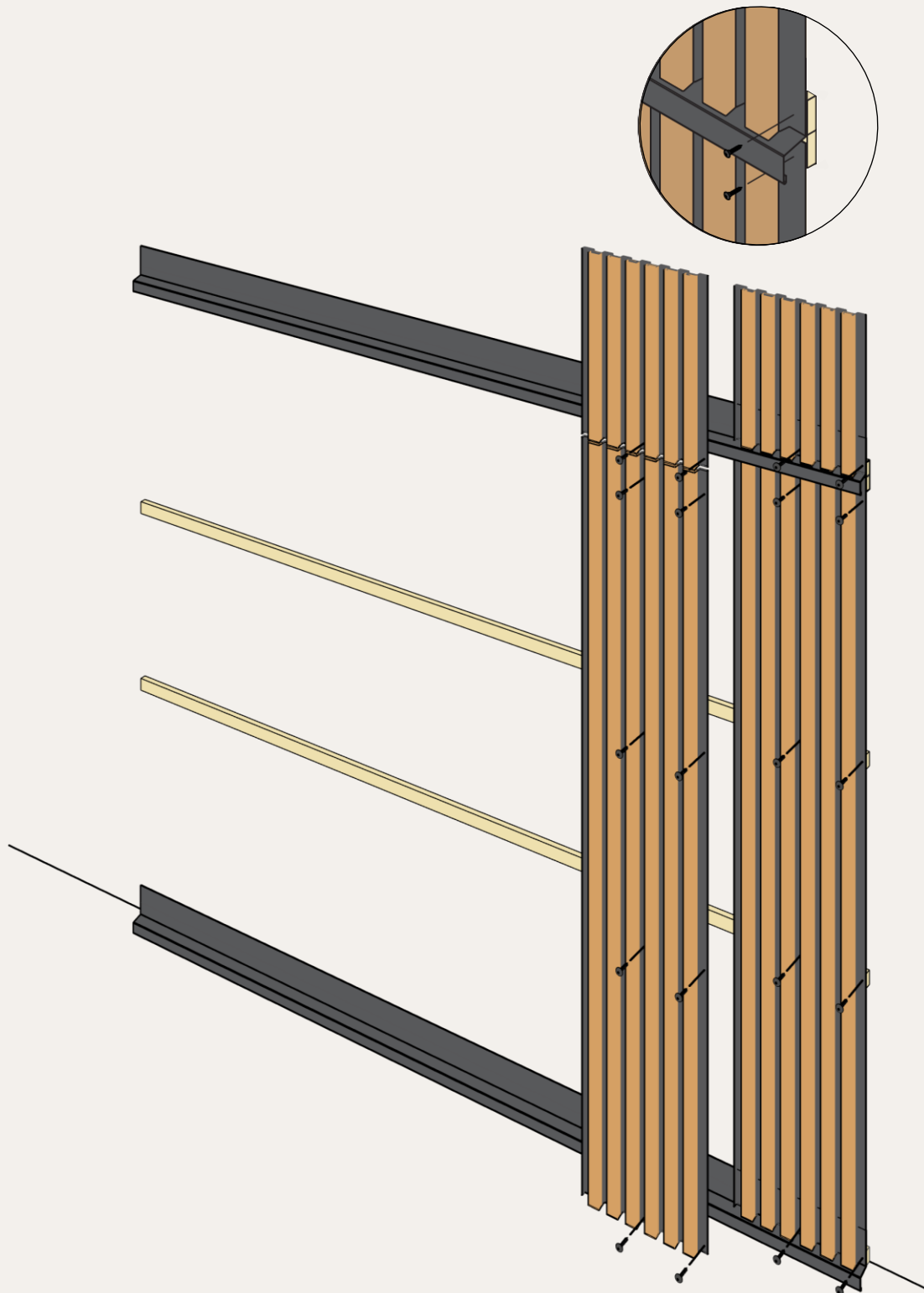
TIP

It is preferable to leave a space under the bottom water drip to facilitate water drainage and prevent stagnation between the wall and the bottom.

The bottom piece can also provide strategic extra centimeters. The panels can be installed up to 2.75in(7cm) above the water drainage flap.

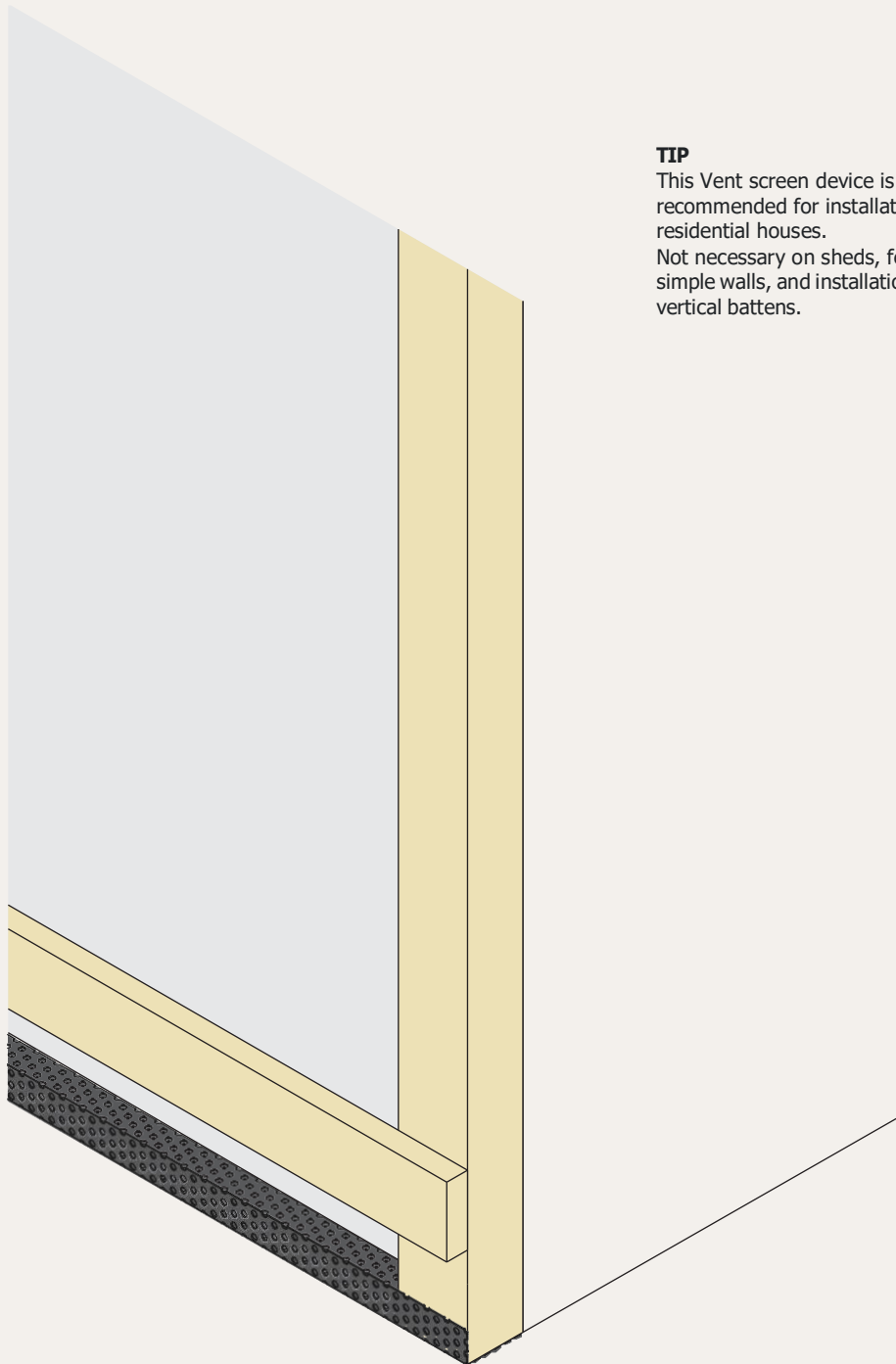
Installation application details

Option 3b: Starter / Transition Trim



Installation application details

Option 4: Vent screen

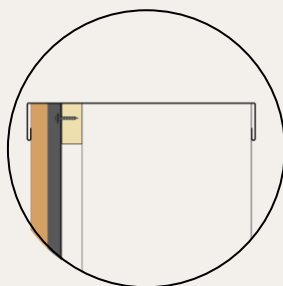
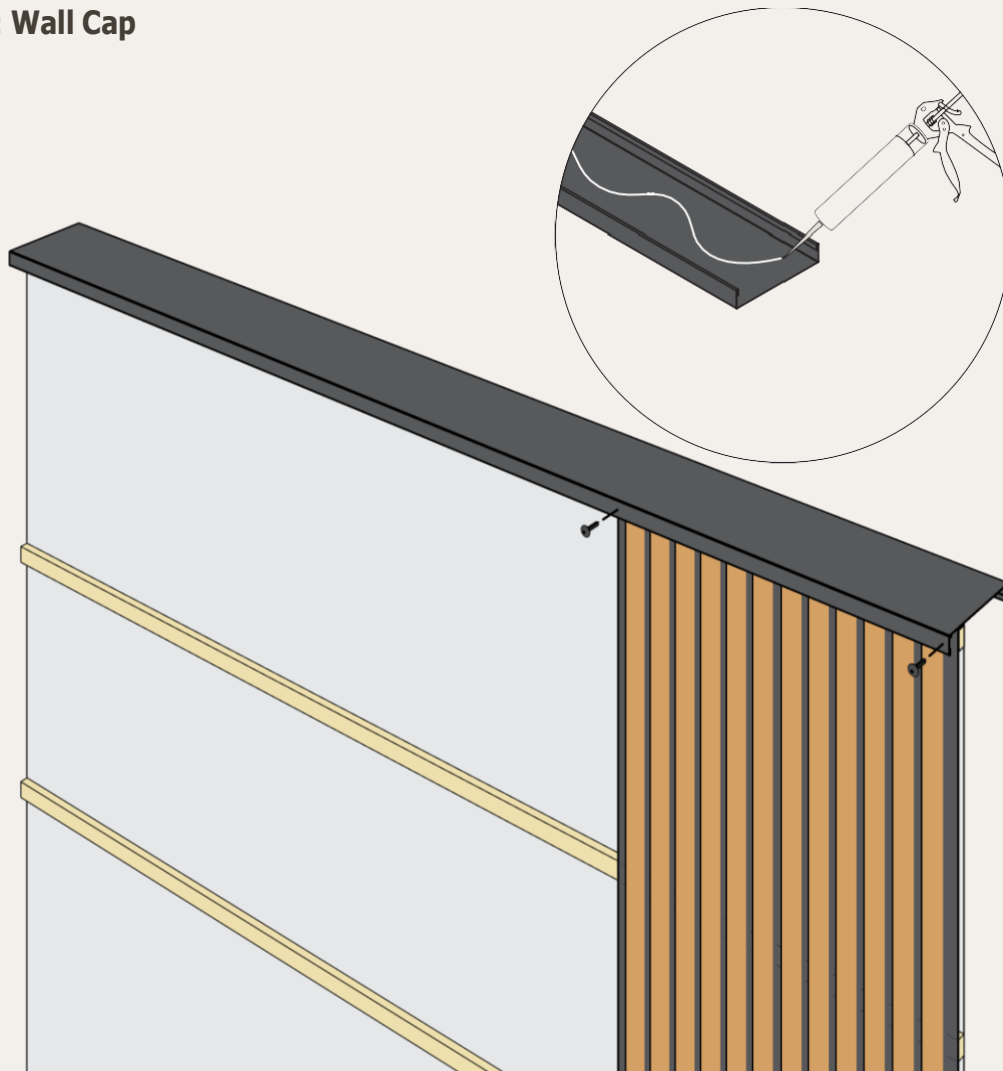


TIP

This Vent screen device is highly recommended for installation on residential houses. Not necessary on sheds, fences, and simple walls, and installation without vertical battens.

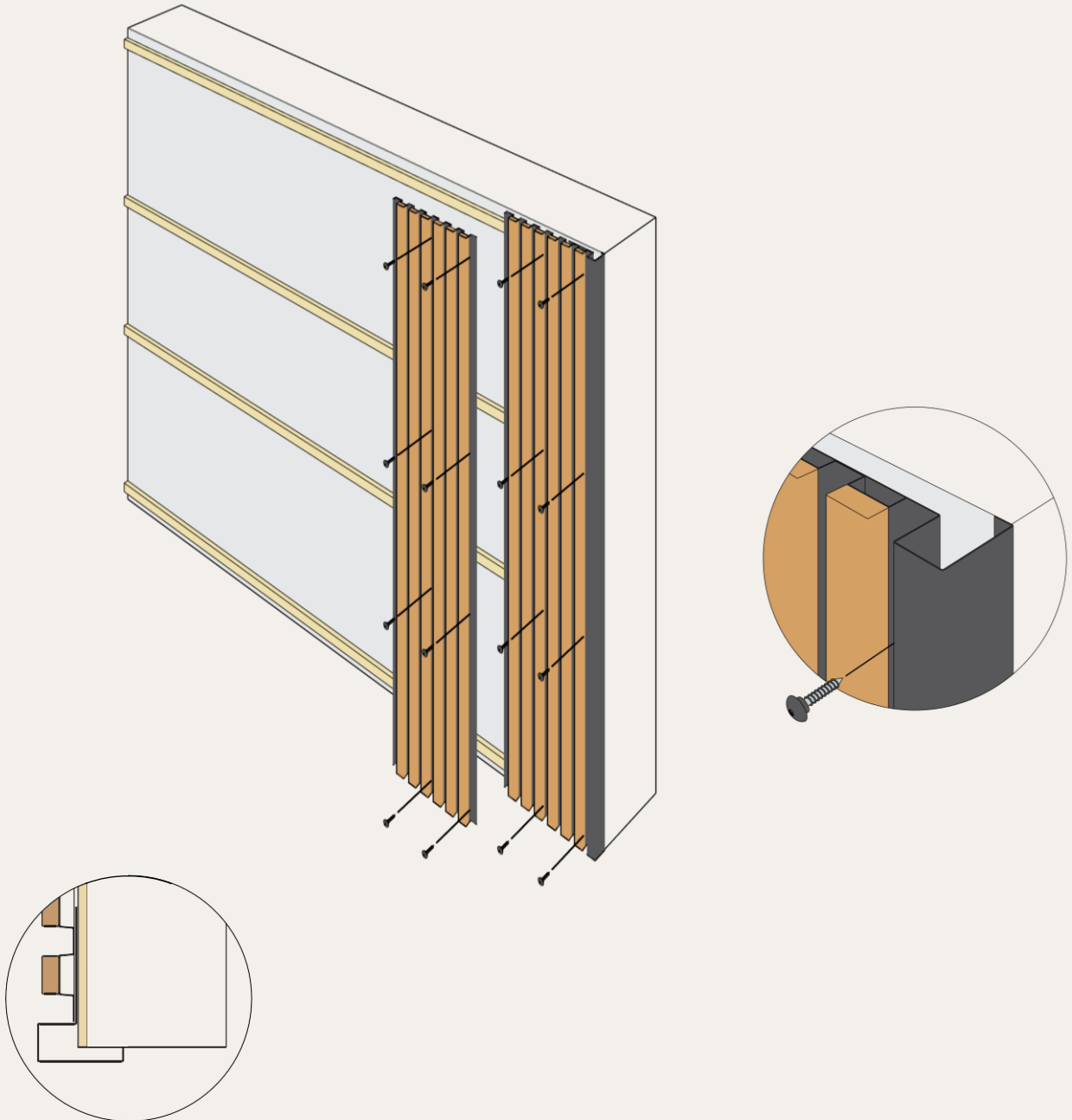
Installation application details

Option 5: Wall Cap



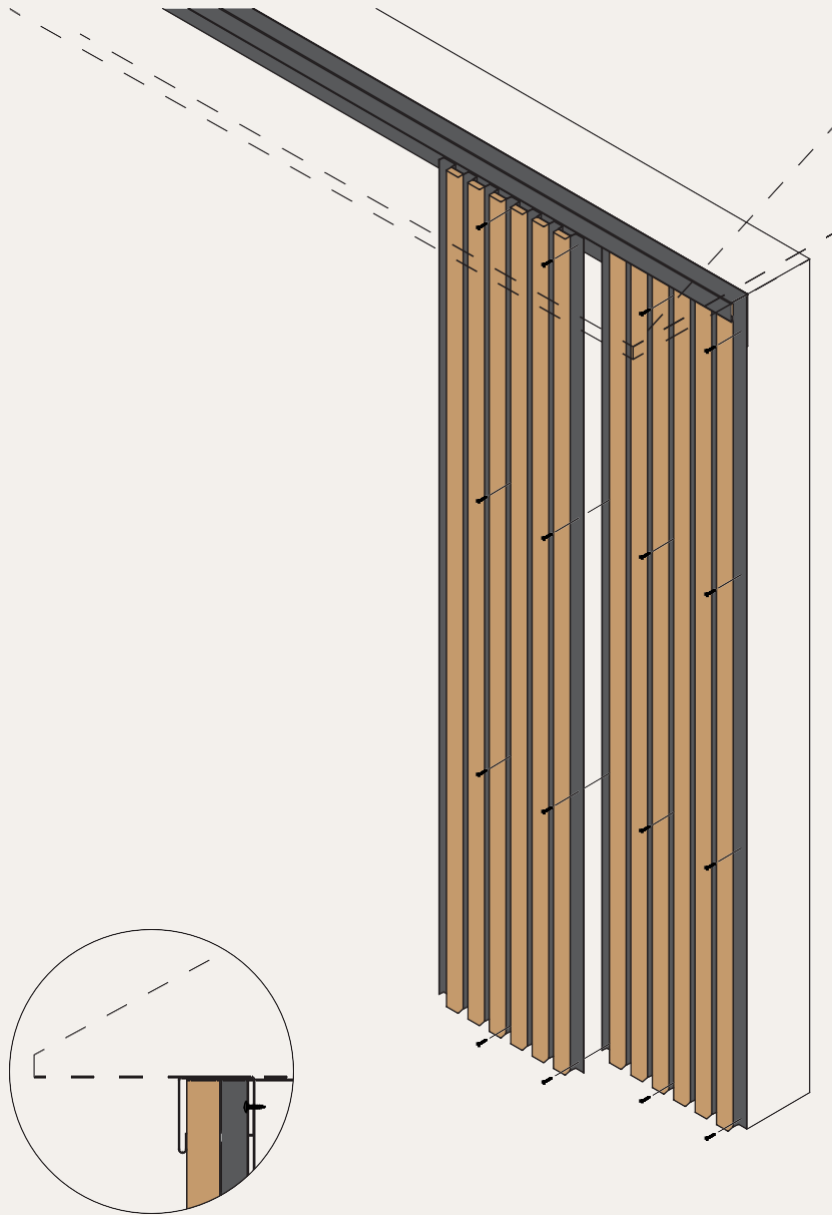
Installation application details

Option 6: End Cap Trim



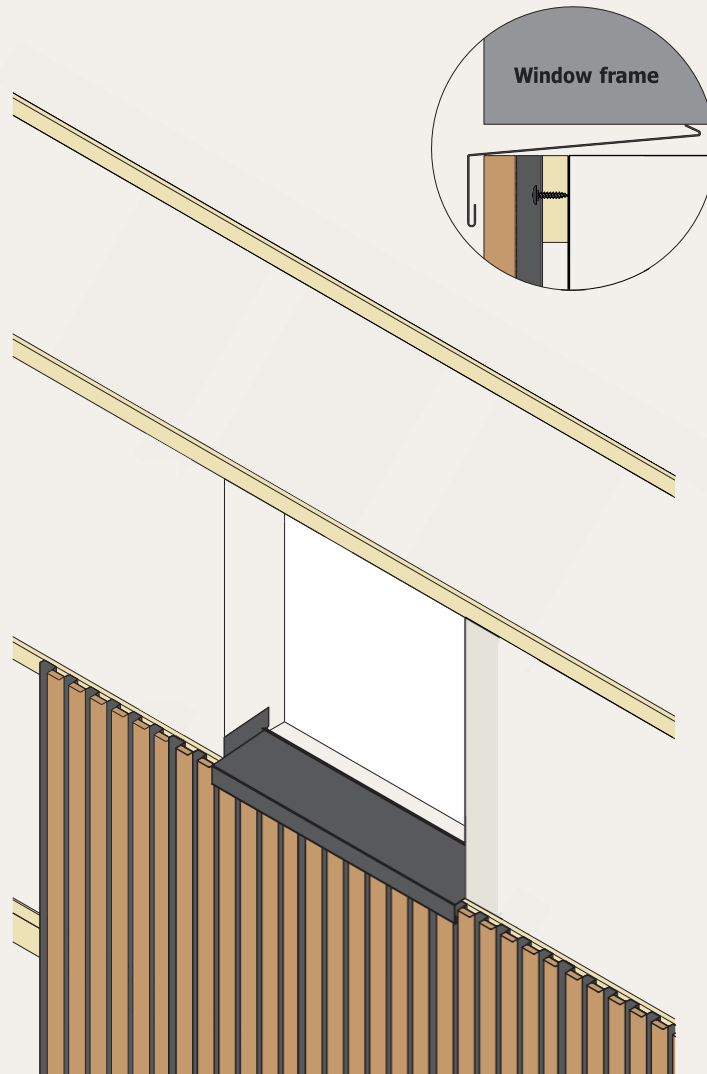
Installation application details

Option 7: J-Trim (installation without rear battens)



Installation application details

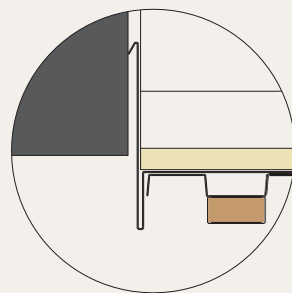
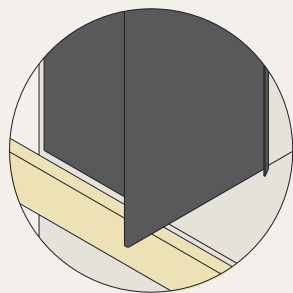
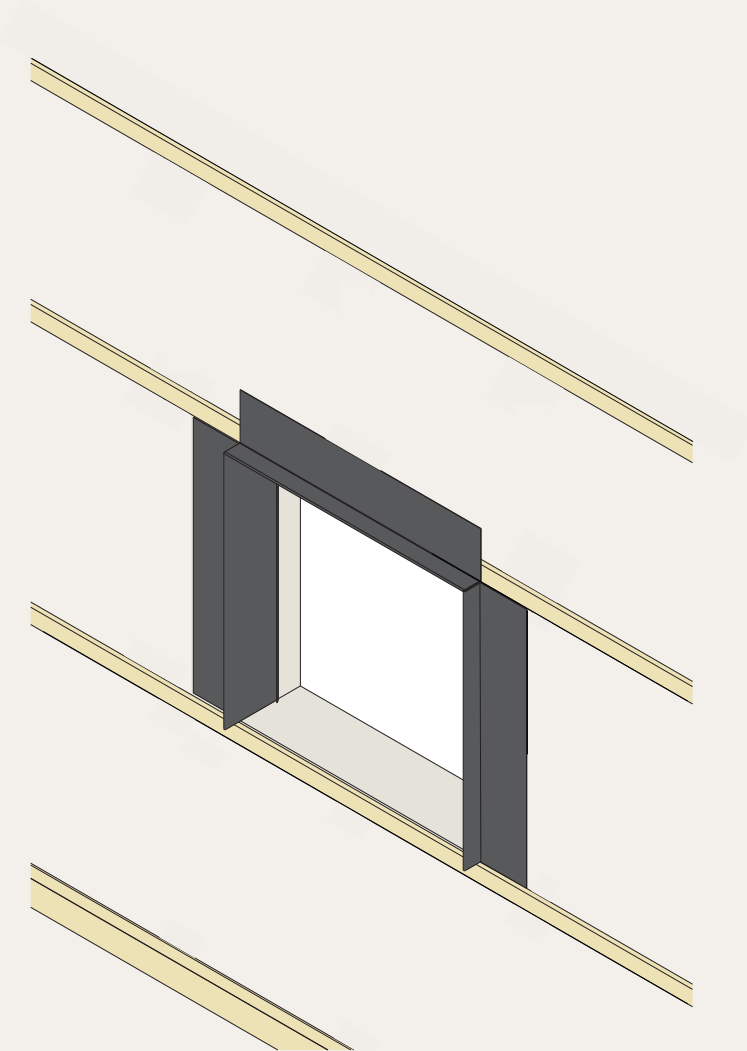
Option 8: Window Sill Flashing



TIP
Cut and bend coverage to fit window hole.

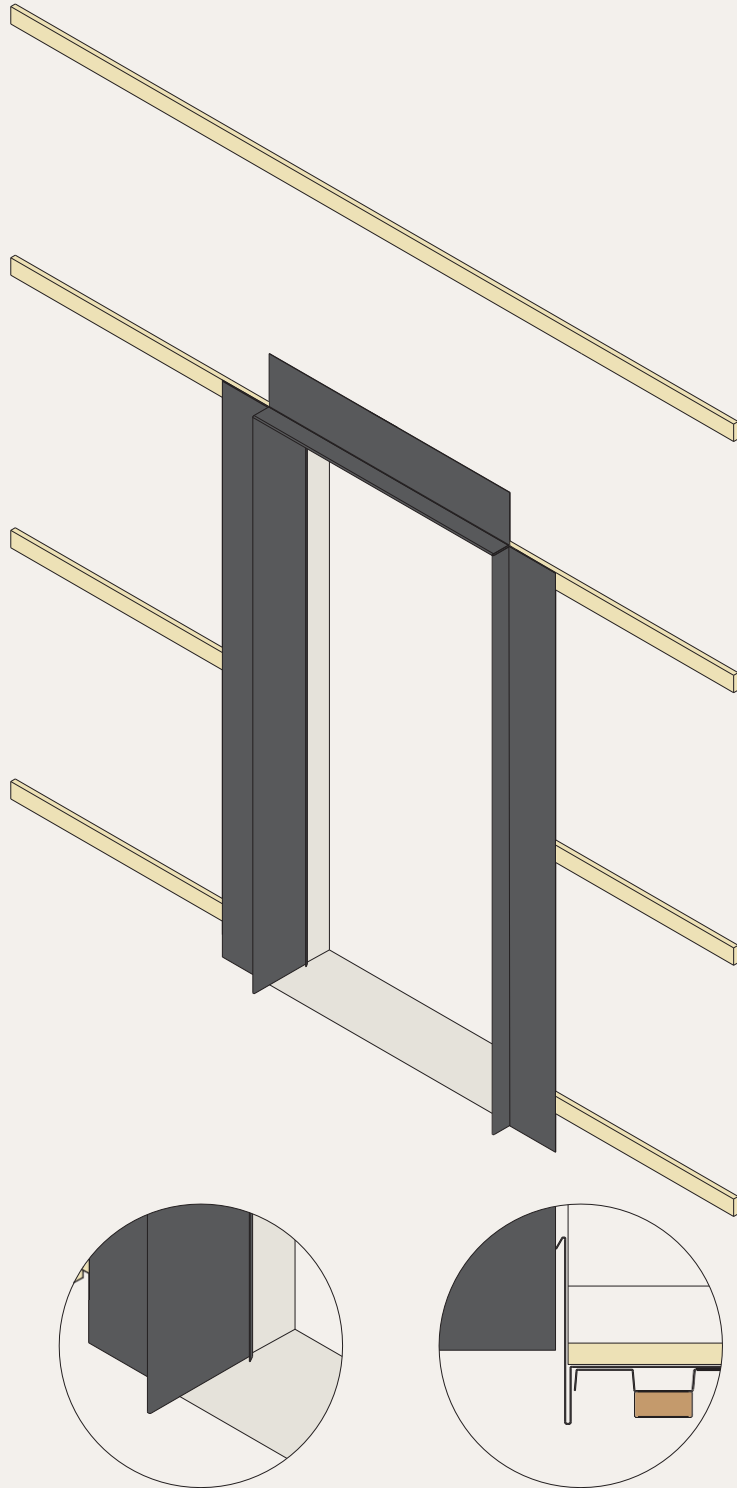
Installation application details

Option 9: Flashing Trim (Window)



Installation application details

Option 9b: Flashing Trim (Door)





WOOD  UPP

WoodUpp USA

391 Hickory Street, Mount Airy, NC 27030

Phone: +1 336 755 2268

E-mail: sona@woodupp.com

[Woodupp.com/us](https://www.woodupp.com/us)