

## Microswitch Wiring Instructions for Stand Alone Audible/Visual Notification Devices

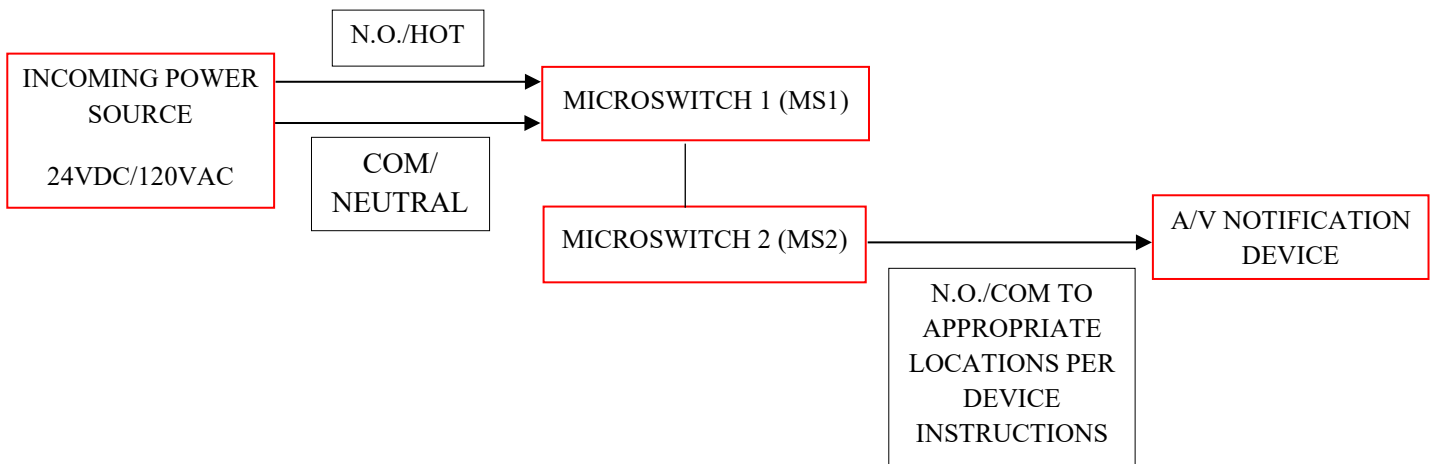
Note: The end user is responsible for installing listed and approved devices in compliance with applicable codes and standards, subject to AHJ approval. All installation work is to be performed by licensed contractors.

The WCK system contains two pre-installed 15A Single Pole, Double Throw SPDT microswitches. Each microswitch possesses three (3) 16 AWG wire labeled as follows:

- White - Common (COM)**
- Black - Normally Closed (N.C.)**
- Red - Normally Open (N.O.)**

Connection Instructions:

1. Connect neutral wire from incoming line to COM of MS1.
2. Connect hot wire from incoming line to N.O. of MS1.
3. Terminate N.C. wire of MS1
4. Connect N.O. and COM wires of MS2 as indicated on installation instructions of audible/visual notification device.
5. Terminate N.C. wire of MS2



Engineering Department  
Lehavot Fire Protection Systems