

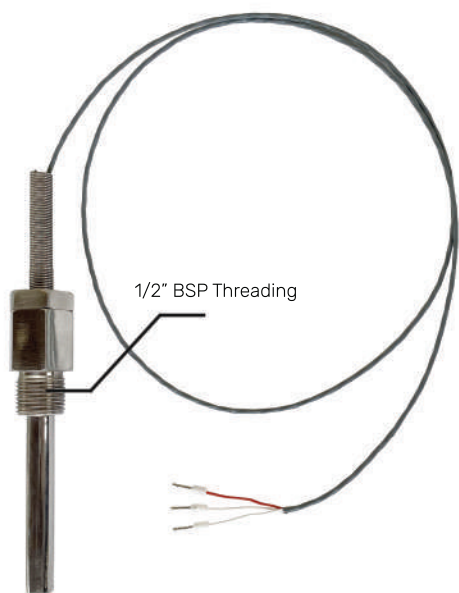
Immersion Temperature Sensor With Thermowell

The Ace Instruments immersion sensor with thermowell series AI-200/ AI-200T comes with a choice of RTD Pt-100 or RTD Pt-1000 sensors with optional choice of NTC thermistors.

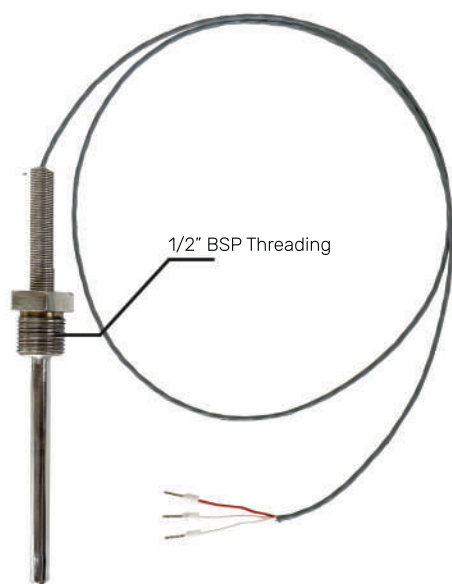
The AI-200 immersion single point sensor is available with or without the option of a thermowell. The immersion temperature sensor utilizes a high accuracy sensor encapsulated in a 6 mm. outer diameter or 8.2mm. outer diameter stainless steel 304 probe & you can choose the output from various options of Pt-100, Pt-1000 or thermistor. Various probe lengths of immersion sensors from 50mm (2"), 75 mm(3"), 100 mm. (4") , upto 300 mm. (12") are available as options. The immersion sensor comes with a standard 1/2" BSP male thread with choice to opt for any other threading connection on request.

The RTD Pt-100 & RTD Pt-1000 come with a 3 wire output (2 leads can be shorted to get a 2 wire resistance output) Standard temperature measurement range is -20 Deg. C to +150 Deg. C with excellent accuracy of +/-0.5 Deg. C + /- 2 counts in both RTD Pt-100 & RTD Pt-1000 version outputs, corresponding to IEC751, 385 Alpha, thin film.

We recommend that you use only Ace Instruments thermowells suited for our immersion sensors for best results.



Model: AI-200T
(With Thermowell)



Model: AI-200
(Without Thermowell)

HVAC SYSTEMS

APPLICATIONS



HOT WATER LOOPS



CHILLED WATER LINES

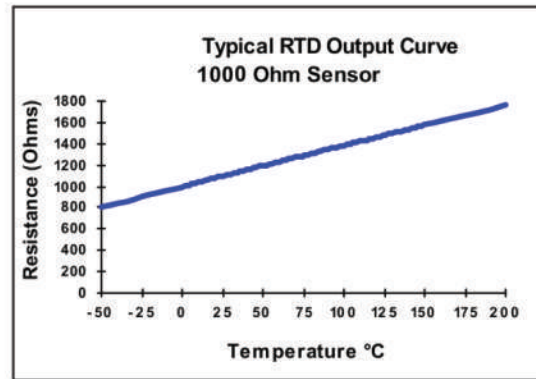
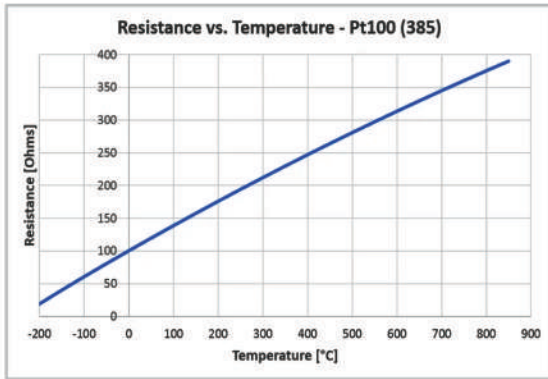


COOLING TOWERS

About The Sensor Element

The process control industry almost entirely uses Pt100/Pt1000 platinum thermal resistors as temperature measuring elements. Their resistance changes with temperature. The industry also uses this principle of thermal resistors for accurate temperature measurement.

The 1000 after the letter "PT" means that its resistance is 1000 ohms at 0°C, while Pt100 is 100 ohms, and the other properties are basically the same. The curves of the two with temperature change are basically the same, both are straight lines of a certain degree.



Ordering Information:

Ordering Code: AI-[Sensor Length Code]-[Thread Type Code]-[Cable Length]-[Output Option]

Model	Description
AI-200T	Immersion Temperature Sensor with Thermowell
AI-200	Immersion Temperature Sensor without Thermowell

Code	Immersion Sensor Length
AI-200-50	50 mm
AI-200-75	75 mm
AI-200-100	100 mm

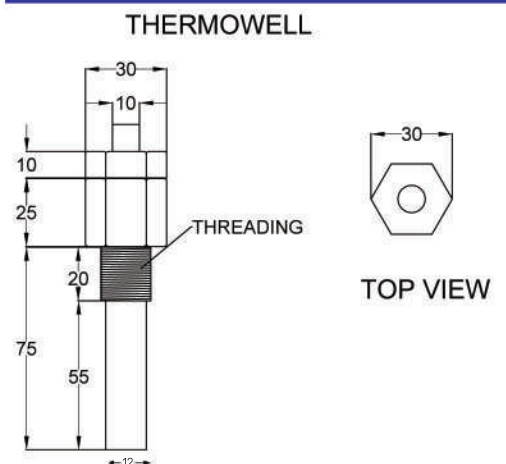
Code	Thread Type (1)
AI-200-[Length]-	½" BSP(A)
AI-200-[Length]-	½" NPT(B)
AI-200-[Length]-	¼" BSP(C)

Code	Cable Length (2)
AI-200-[Length]-[Thread]-	1 meter (A)
AI-200-[Length]-[Thread]-	2 meters (B)
AI-200-[Length]-[Thread]-	3 meters (C)

Code	Output Option
AI-200-[Length]-[Thread]-[Cable]-Pt1000	Pt1000
AI-200-[Length]-[Thread]-[Cable]-Pt100	Pt100
AI-200-[Length]-[Thread]-[Cable]-NTC10k	NTC10k

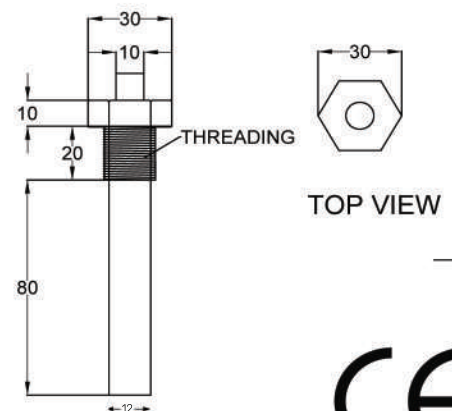
Example: AI-200T-[50]-[1A]-[2B]-Pt-1000

Dimensional Drawing:



FRONT VIEW

WITHOUT THERMOWELL



TOP VIEW

