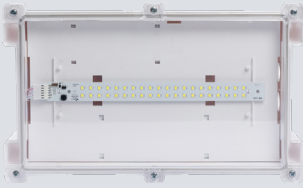
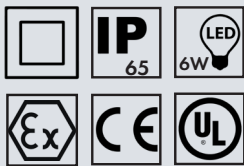


## CL-8016

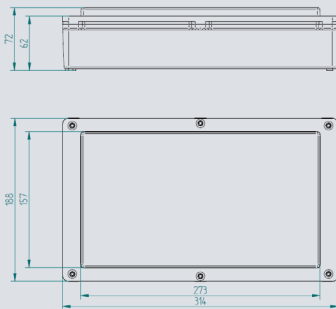
## Emergency Light



## Details



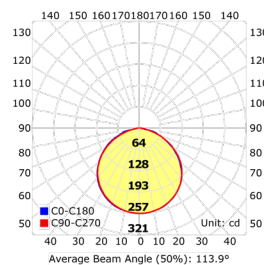
## Schematic



Type	LED emergency light
Mounting	Sidewall, ceiling
Light source	50.000h operational time, 6000K color temperature
Luminous flux	24V: 732 lm CON/MB: 581 lm
Warranty	5-years warranty
Dimensions	314mm x 188mm x 72mm
Classe	Zone 2
Housing color and material	White plastic
Cable connection	Max. 2.5mm <sup>2</sup> cross-section solid or sleeved twisted wire
Operating mode:	Non-maintained
Constant nominal ambient temperature range	0 °C < Ta < 45 °C

The CL-8016 is an explosion-proof LED emergency light, designed for Zone 2 hazardous areas. Thanks to IP65 protection it is suitable in dry and wet locations (rest room, basement, garage, etc.) and for outdoor use as well.

Mounting height (m)	2,5	3	4	6	8	10	15
Transverse mounting	11	12.3	14	16.3	17.3	17.5	7.7
Escape route min 1 lux	4.7	5.1	5.6	6.1	5.8	5.3	2.8
Axial mounting	11	12.3	14	16.3	17.3	17.5	7.7
	4.7	5.1	5.6	6.1	5.8	5.3	0



Product name	System type	Main supply	Input current	Battery type/time	Product code
CL-8016 Slave/Con/MB	Conventional main battery	AC 120-240V	21mA	NIMH 600mA 1 h	-
CL-8016 Slave/Con/MB	Conventional main battery	AC 120-240V	21mA	NIMH 2400mA 3 h	-
CL-8016 Slave/Con/CB ACAC	Conventional central battery	AC 120-240V	31mA	-	-
CL-8016 Slave/Con/CB ACDC	Conventional central battery	AC/DC 120-240V	31mA	-	-
CL-8016 Slave/Con/CB/24V	Conventional central battery	DC 24-32V	235mA	-	-
CL-8016 Slave/MB	Addressable main battery	AC 120-240V	21mA	NIMH 600mA 1 h	-
CL-8016 Slave/MB	Addressable main battery	AC 120-240V	21mA	NIMH 2400mA 3 h	-
CL-8016 Slave/RF/MB	Addressable wireless main battery	AC 120-240V	21mA	NIMH 600mA 1 h	-
CL-8016 Slave/RF/MB	Addressable wireless main battery	AC 120-240V	21mA	NIMH 2400mA 3 h	-
CL-8016 Slave/CB 24V	Addressable central battery	DC 24-32V	235mA	-	-
CL-8016 Slave/CB	Addressable central battery	AC 120-240V	31mA	-	-
CL-8016 Slave/CB AC-DC	Addressable central battery	AC/DC 120-240V	31mA	-	-