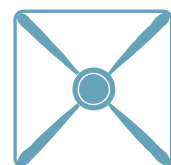
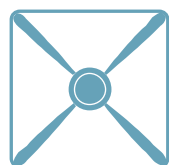
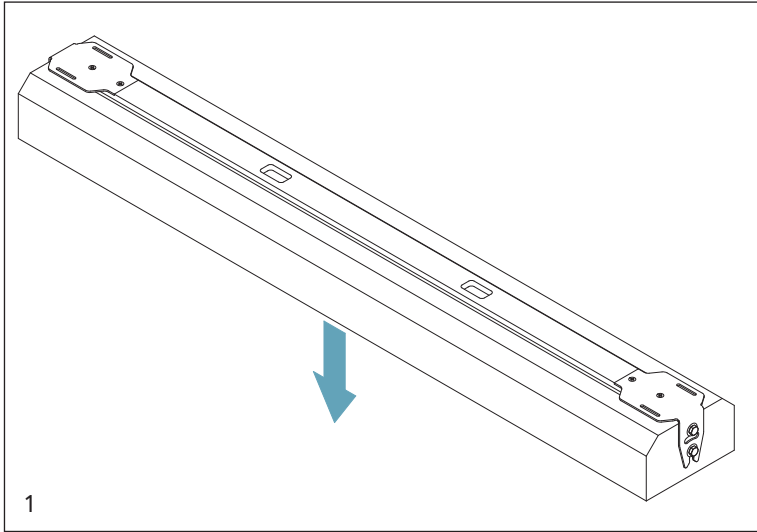
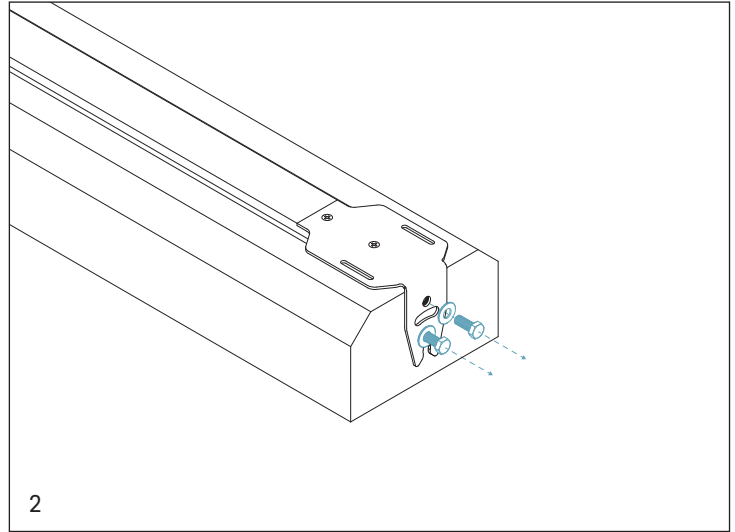


**LX-7**  
**INSTALLATION GUIDE**

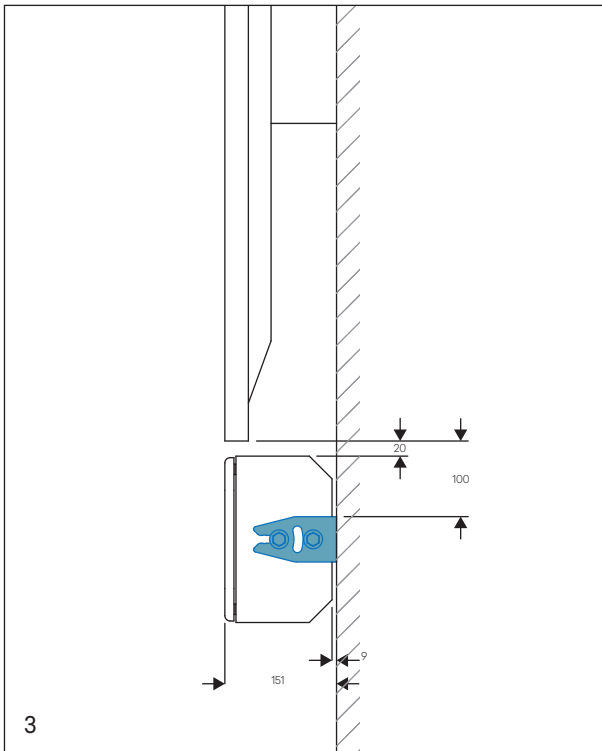




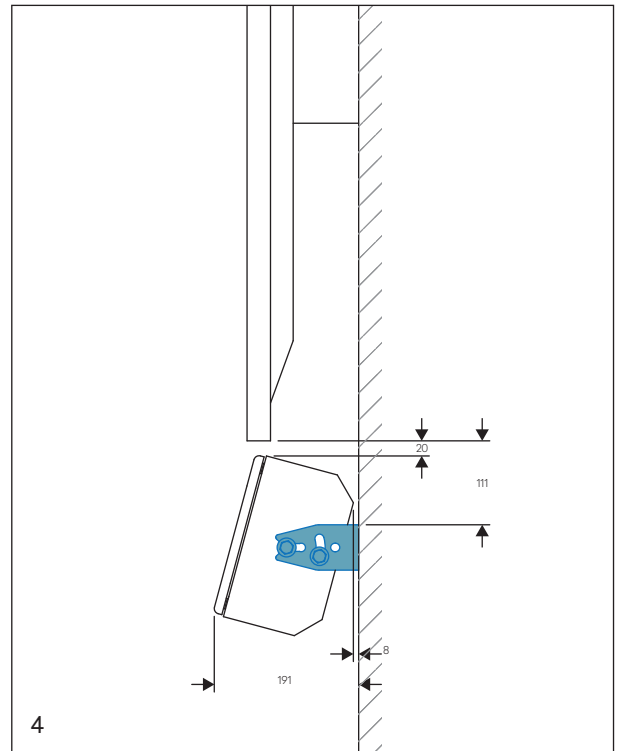
1  
After removing unit and packaging from crate, place the LX-7 face down on a soft flat surface (Fig. 1).



2  
Remove the four M10 bolts and washers from both ends to release the bracket from the cabinet (Fig. 2).

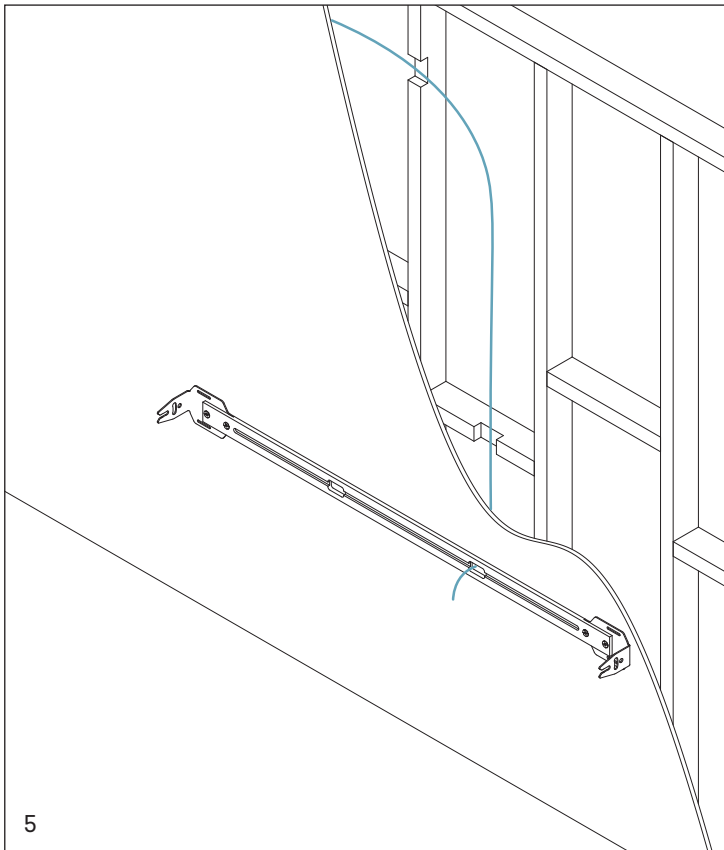


3  
LX-7 mounted flat against wall (Fig. 3).

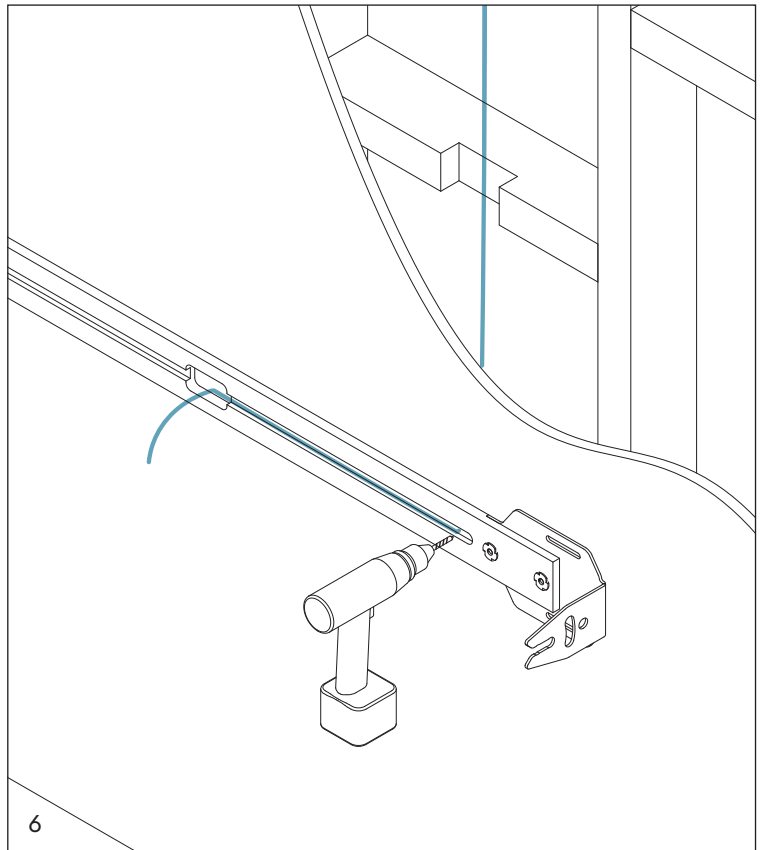


4  
LX-7 mounted with a 15° tilt up (Fig. 4).

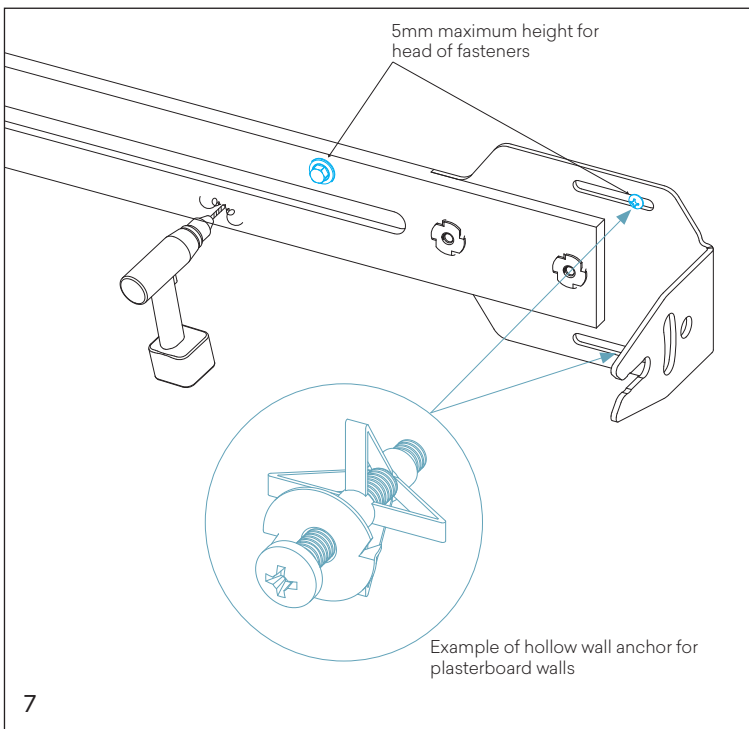
Once screen position has been decided, work out installation height of bracket. Refer to (Fig. 3) and (Fig. 4) for examples of mounting configurations. Increasing the distance between the bracket and screen will increase the space between the cabinet and the edge of the screen.



If running speaker cables behind the wall, plan to have the cables exit from the wall near either hole in the MDF section of the bracket (Fig. 5).



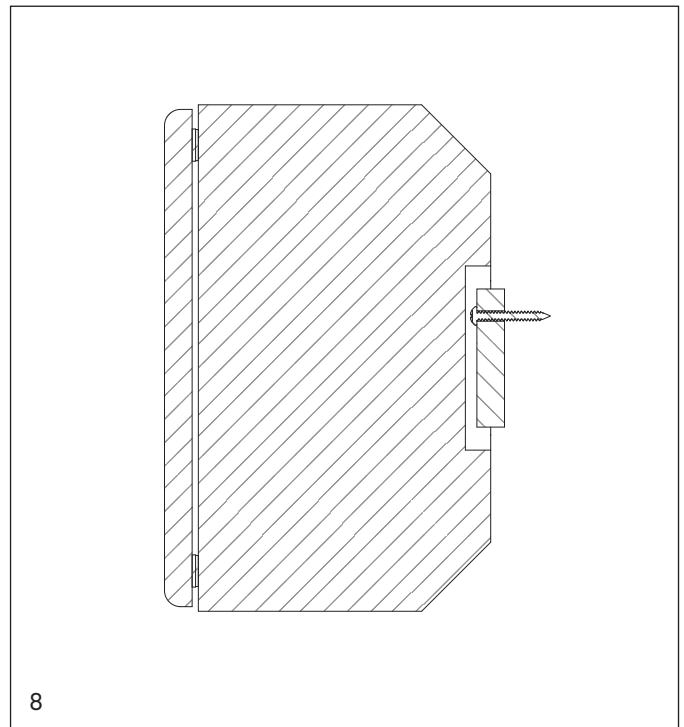
If speaker cables don't line up with pre-existing holes in the MDF bracket, additional holes can be drilled into the MDF bracket to align with the cables in the wall. Secure cable within bracket groove and run cable to the nearest hole in the MDF bracket (Fig. 6).



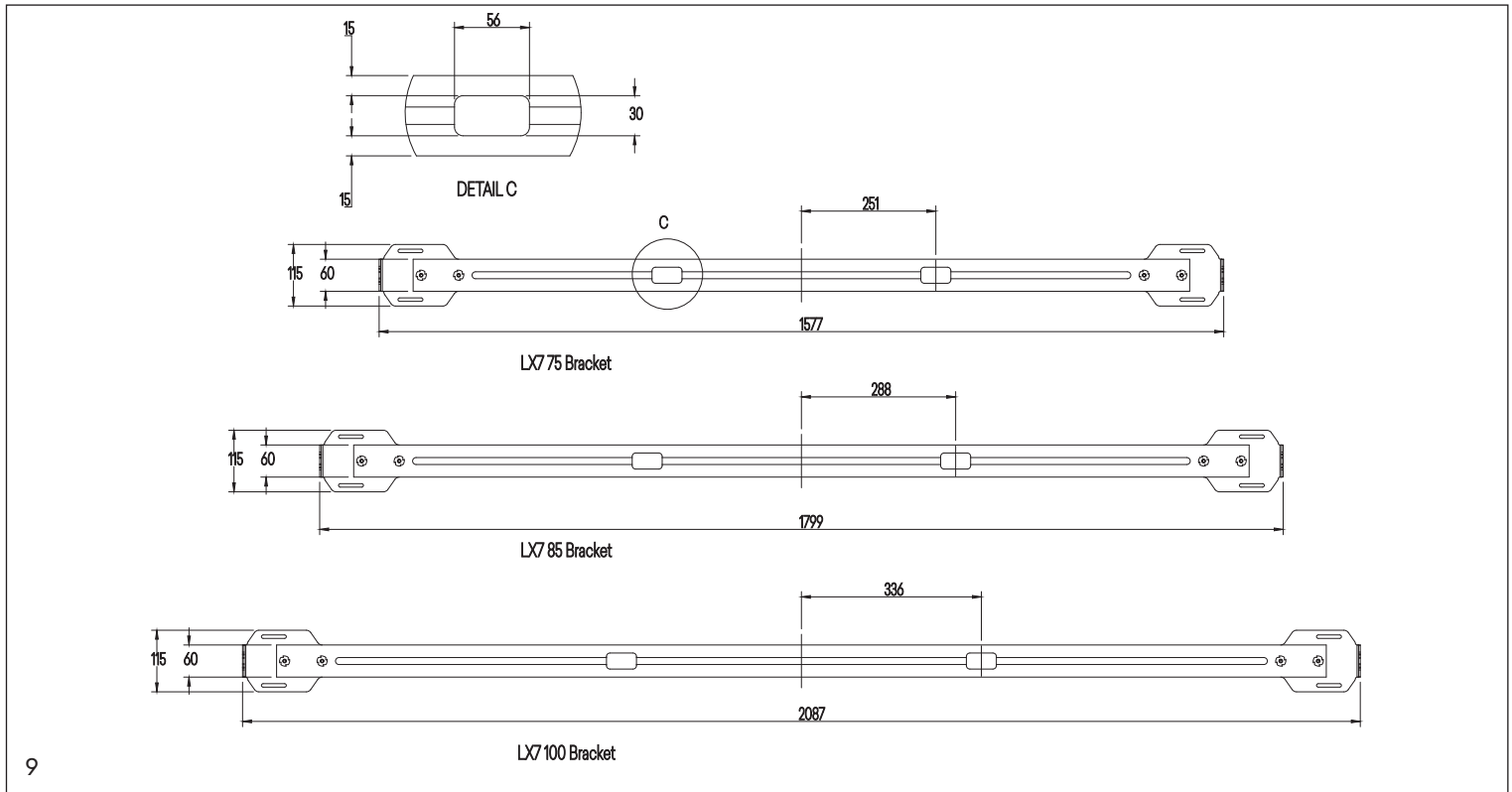
Attach MDF section of the bracket to wall with suitable fasteners. If attaching to a plasterboard wall, it is recommended the bracket is fixed to at least two studs. Holes can be drilled anywhere along MDF section to ensure bracket is attached securely to the wall or wall studs (Fig. 7).

When installing on a plasterboard wall, if the metal ends of the bracket cannot be fixed to the timber studs, it is recommended to use a hollow wall anchor with a large clamping area on the rear side of the plasterboard (Fig. 7 detail view).

Attach suitable fasteners to the top and bottom slotted holes to secure the metal ends of the bracket to the wall.



A 5mm gap between the bracket and back of the cabinet allows a wide range of non-countersunk fasteners to be used. This can be useful when installing the unit onto a brick or concrete wall (Fig. 8).

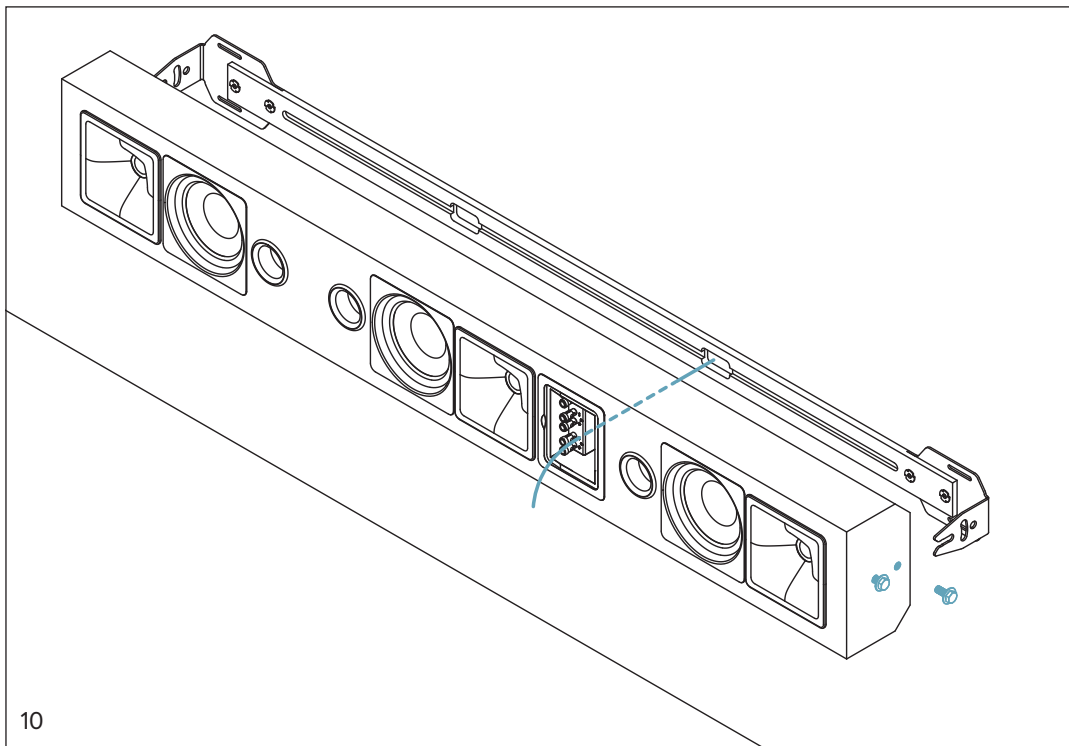


Bracket dimensions for the LX-7 75, LX-7 85 and LX-7 100 models are shown in (Fig. 9) to help with planning cable location behind a stud wall.

In most situations, the LX-7 can be mounted under the screen.

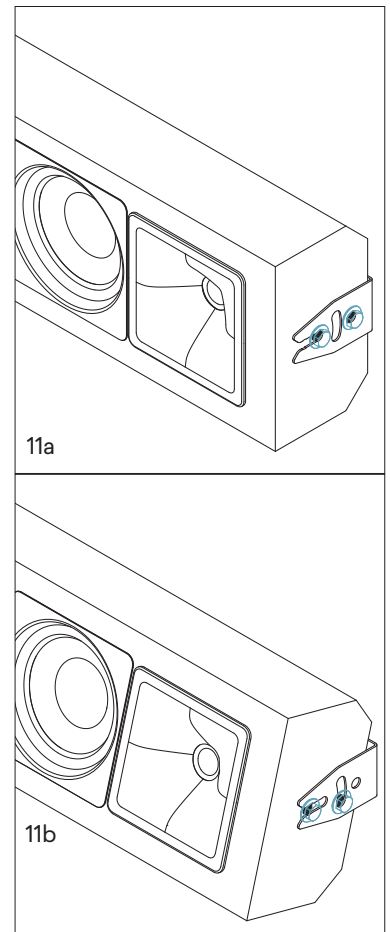
Tip: Where the unit is below ear-height, tilting the cabinet upwards can subtly improve the sound quality. However, if keeping the mounting depth to a minimum is desired, use the “flush-mount” configuration (refer to Page 2 Fig. 3 & Page 4 Fig. 11a).

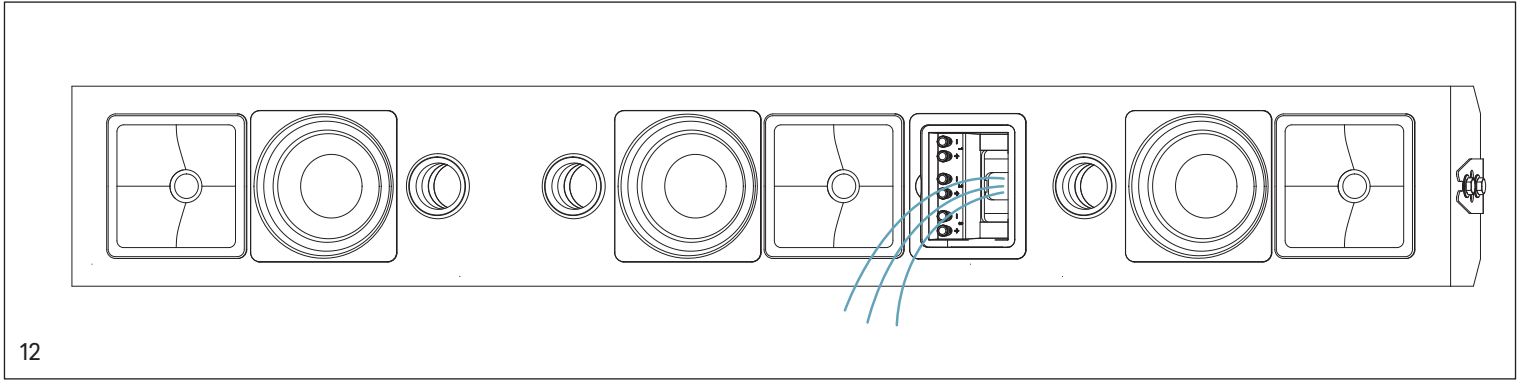
In some circumstances (e.g. multiple rows of seats or if using a UST projector), it may be preferable to mount the LX-7 above the screen and angled downwards, to ensure the rear row of seats aren't obscured by those in the front row.



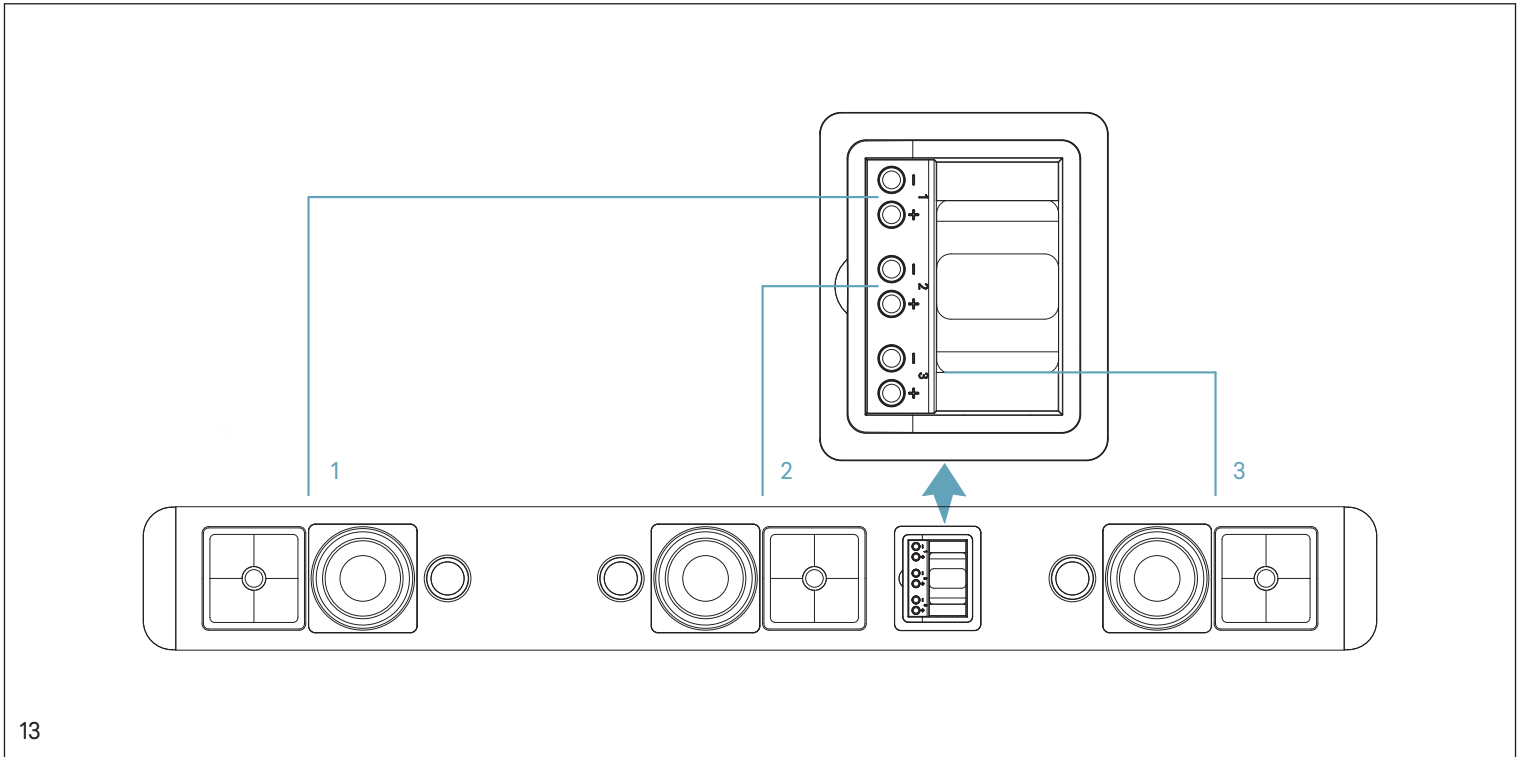
Attach M10 bolt and washer to forwardmost mounting hole of LX-7 cabinet on both ends. Slide LX-7 onto bracket, ensuring the terminal plate is aligned with cable exit point on bracket (flip unit 180° if necessary to align to preferred cable exit). Attach remaining M10 bolts and washers to secure unit to bracket (Fig. 10).

LX-7 can be installed to sit flush against the wall (Fig. 11a) or tilted to a maximum of +/-15° (Fig. 11b).



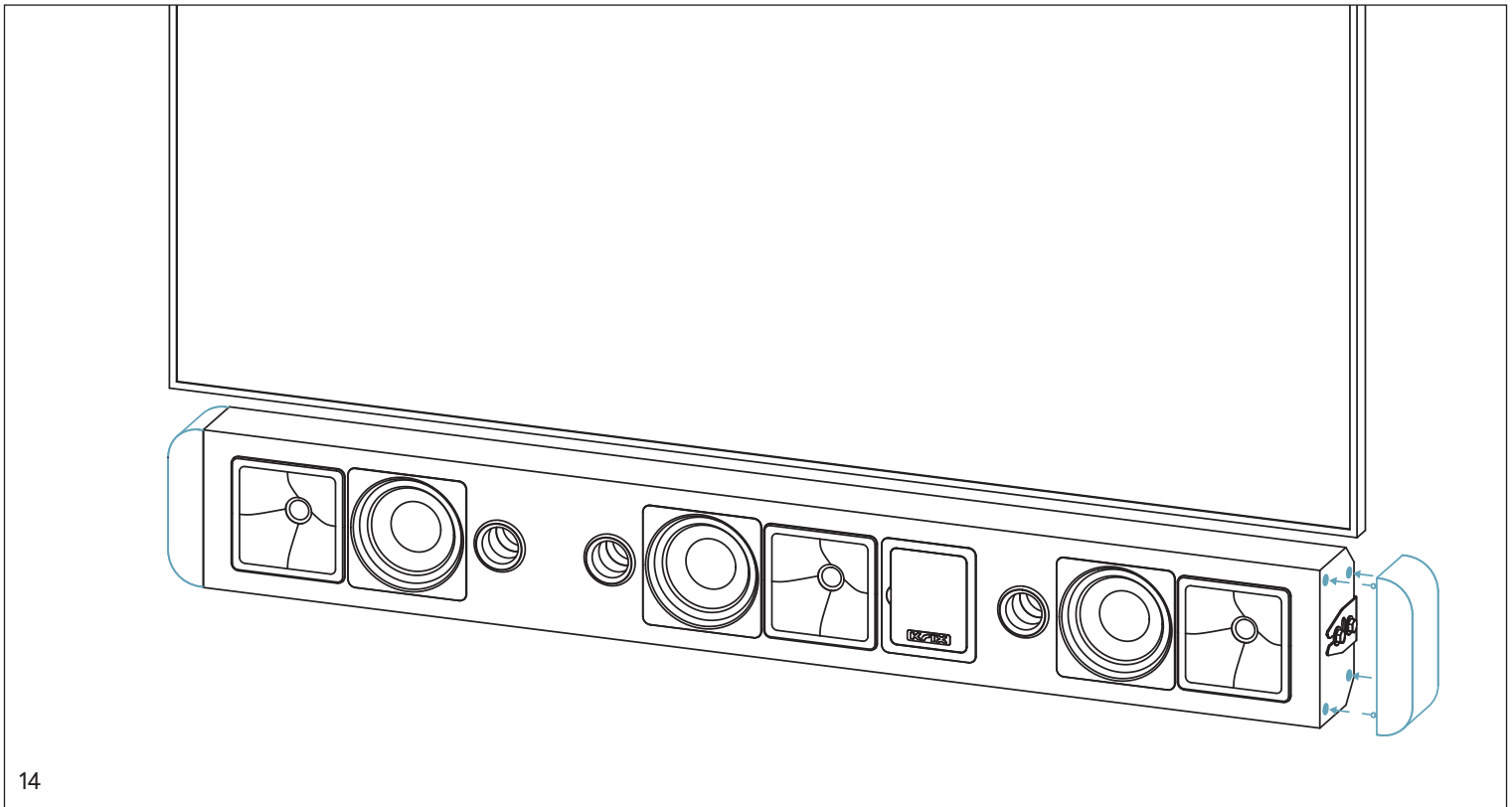


12 Pull cable from back of cabinet through to front of terminal plate (Fig. 12).

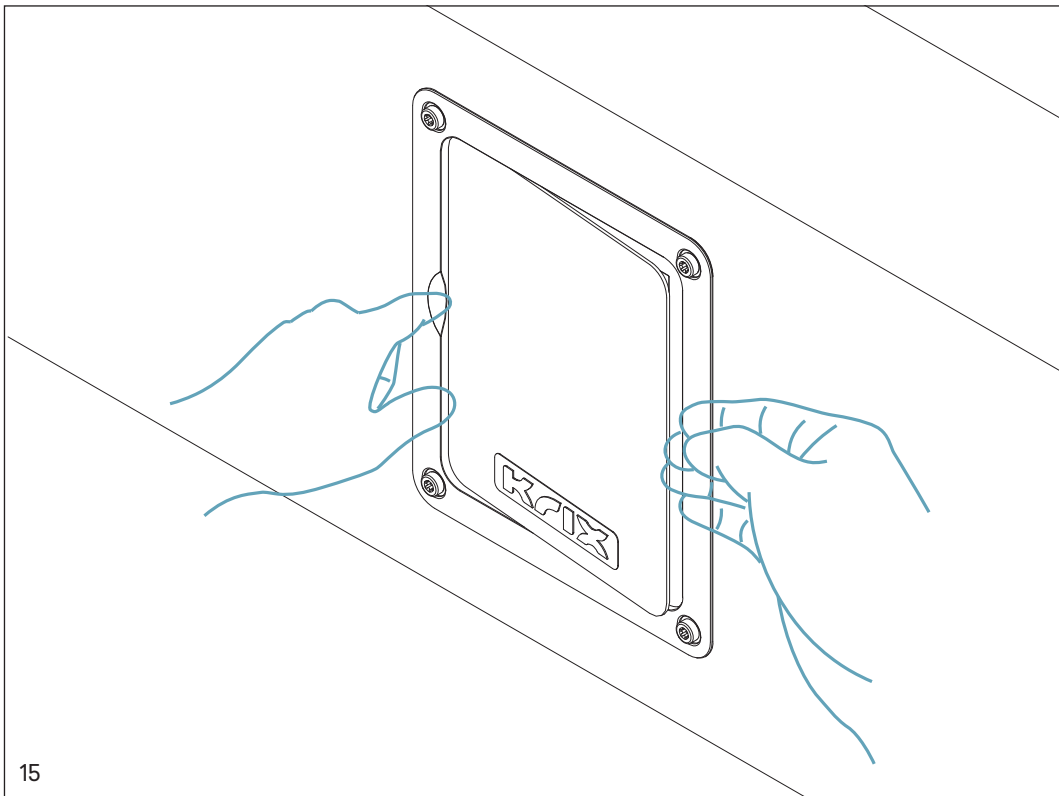


13 Connect speaker cables to binding posts (Fig. 13).

Note: As the LX-7 can be flipped 180° to suit installation requirements, there is no standard Left, Centre and Right configuration. Instead, notice that the terminal plate is always located between speaker element 2 and 3 and use Fig. 13 to determine which inputs to use for your Left, Centre and Right channels.

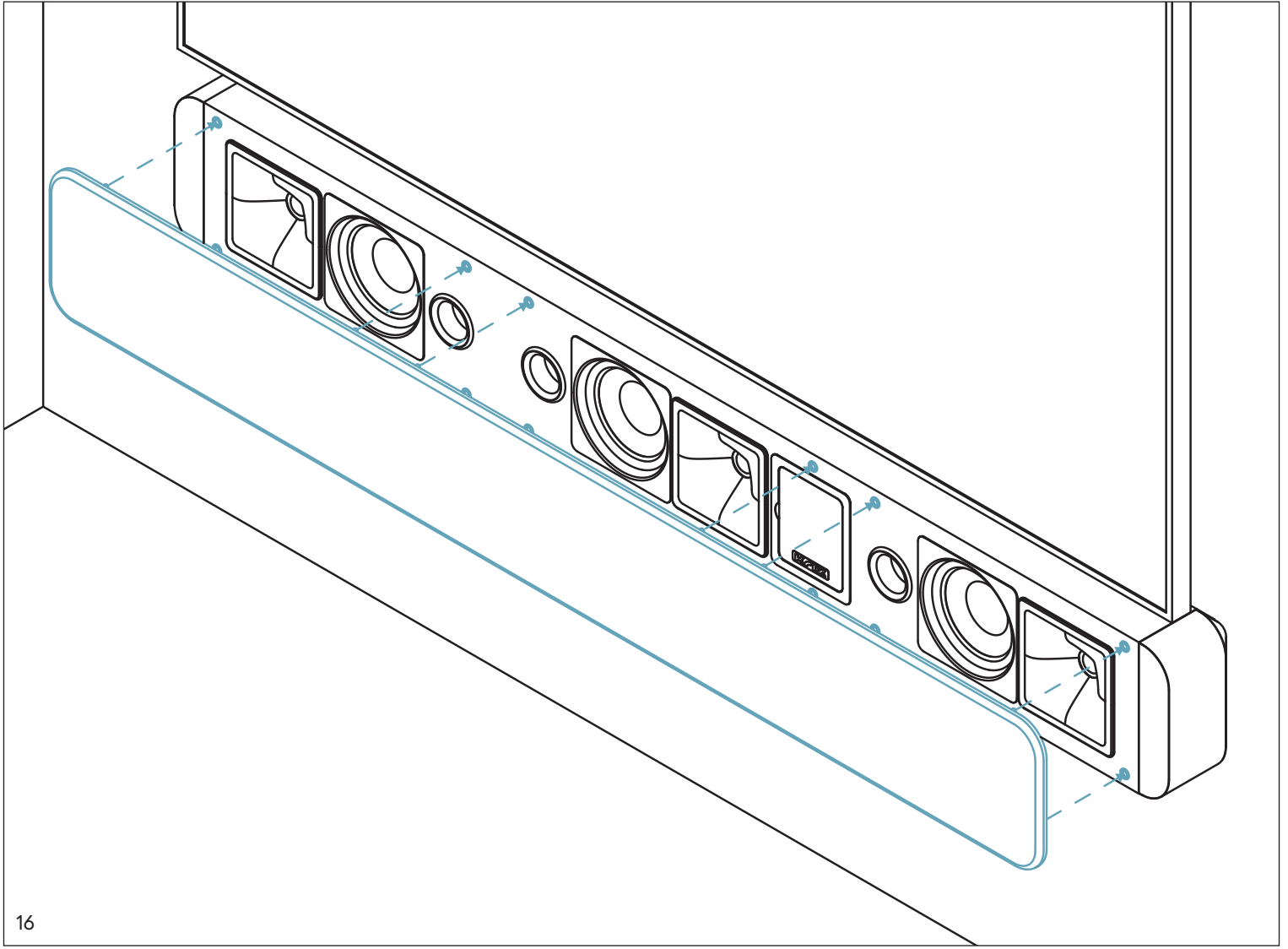


Attach end caps by connecting the grille clips to the corresponding sockets on the cabinet (Fig. 14).



Attach metal cover plate to terminal housing (Fig. 15).

Note: The cover plate is secured to terminal housing via a set of concealed magnets. To remove cover plate, press along edge of plate near the finger well, causing opposite edge to pivot open. Cover plate can then be lifted off via the gap created between the cover plate and terminal housing.



16

Attach grille to cabinet (Fig. 16).

Krix Loudspeakers Pty Ltd  
14 Chapman Road  
Hackham SA 5163  
Australia

T 61 8 8384 3433  
F 61 8 8384 3419  
listen@krix.com

BRH.O LX7 01

krix.com