



FEEL EVERY MOMENT

The UCX-118 delivers uncompromising infrasonic performance in a compact, versatile enclosure. Featuring an 18-inch high-excursion driver, the UCX-118 extends deep into the lowest frequencies, reproducing bass that is not only heard, but felt throughout the room.

Whether used as a standalone subwoofer or deployed in multiples for improved room coverage and consistency, the UCX-118 delivers the authority, control and tactile immersion demanded by serious cinema enthusiasts.

For the ultimate cinema experience at home, play it through Krix.



UCX-118 front view



UCX-118 angled view



Infra-bass performance

Reproduces extremely low-frequency sounds to create a tactile audio experience that you can feel.



Compact high-output

The single 18-inch high-excursion driver delivers substantial low-frequency output and deep infrasonic extension from a compact footprint.



Flexible placement

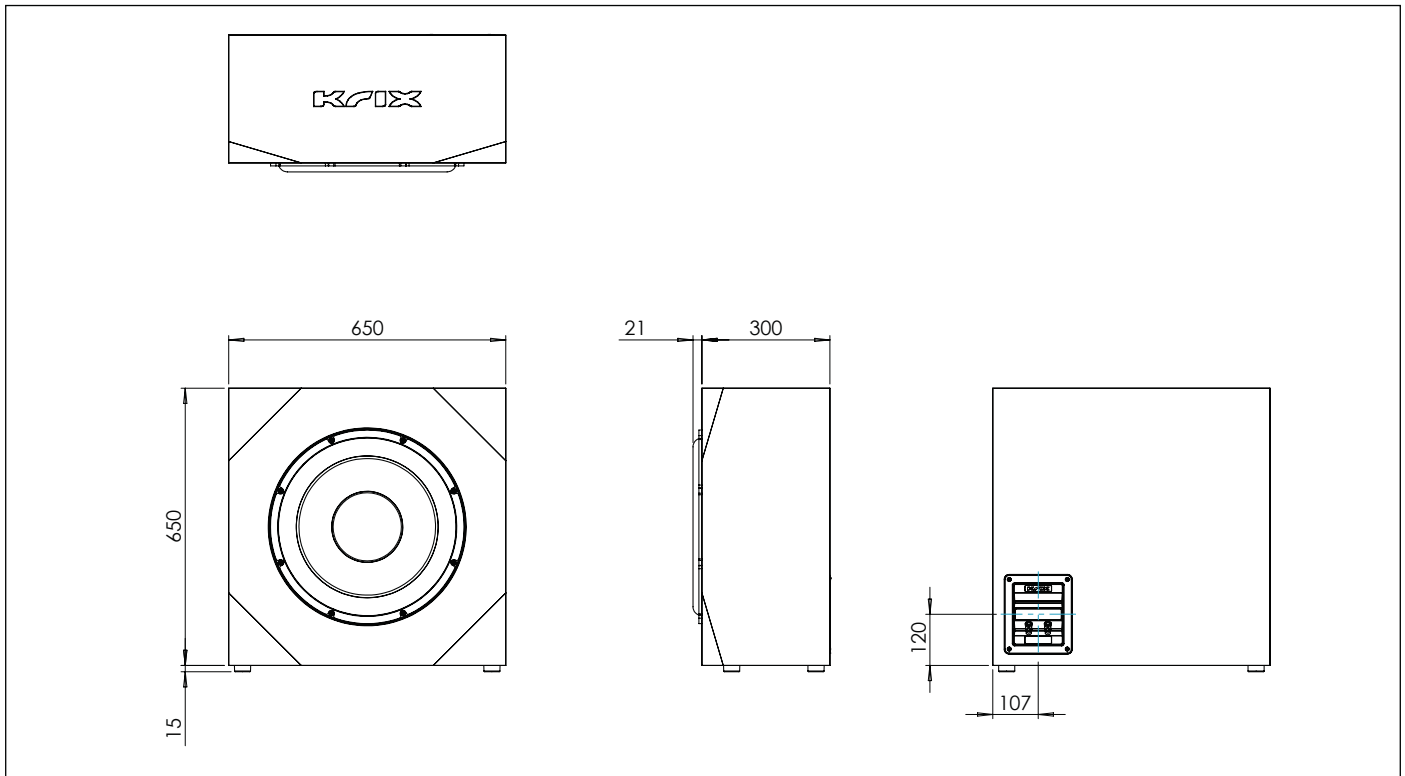
The UCX-118 is equally effective as a single subwoofer or as part of a distributed multi-subwoofer configuration.



Australian made

Krix has proudly engineered and manufactured speakers in Australia since 1974.

DIMENSIONS



UCX-118			
PERFORMANCE			
Frequency range	10Hz - 200Hz (with DSP) 15Hz -3dB, 13Hz-6dB (with DSP)		
Power handling	1250 Watts Continuous (71Vrms) 2500 Watts Program (100Vrms) 5000 Watts Peak (141Vrms ≡ 200Vpeak)		
Recommended amplifier	1500-3000 Watts into 4 Ohms Approved amplifier with DSP required, consult with a Krix Certified System Designer.		
Sensitivity (without DSP) 283V @ 1m (to compensate for reduced sensitivity at low frequencies requires Krix DSP settings)	Frequency	Half space	Free space
	10Hz	75dB	69dB
	20Hz	87dB	81dB
	40Hz	96dB	90dB
	80Hz	100dB	94dB
Maximum sound level referred to 1m measured using CTA-2010-B methodology	Frequency	Half space	
	10Hz	94dBpk	
	12.5Hz	102dBpk	
	16Hz	106dBpk	
	20Hz	112dBpk	
	25Hz	120dBpk	
	31.5Hz	122dBpk	
	40Hz	123dBpk	
	50Hz	128dBpk	
	63Hz	126dBpk	
	80Hz	125dBpk	
	100Hz	126dBpk	
Impedance	4 Ohms		
DRIVERS			
Low frequency driver	Single 460mm (18") treated paper cone driver. 100mm (4") voice coil, neodymium magnet and demodulating ring for low distortion. 50mm peak to peak displacement		
ENCLOSURE AND TERMINALS			
Enclosure type	Sealed		
Enclosure finish	Durable textured black paint		
Input terminals	Krix proprietary, high current binding posts featuring an 8mm hole to accept large diameter cable. High visibility polarity indicators		
DIMENSIONS			
Dimensions	665 high (inc feet) x 650 wide x 321 deep (mm)		
WEIGHT			
Weight	34kg		
NOTES			
A separate power amplifier is required for this subwoofer which will connect to the LFE output of an AV processor or receiver. Consult with a Krix Certified System Designer for approved power amplifier list.			