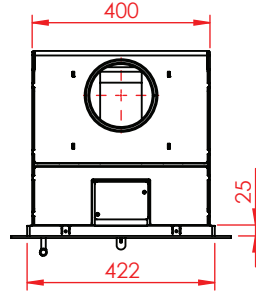
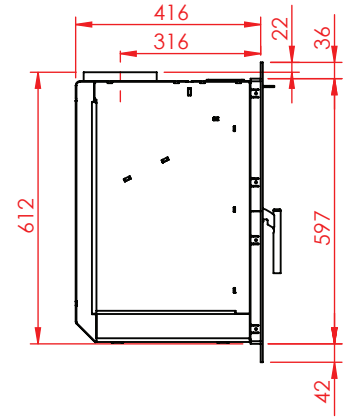
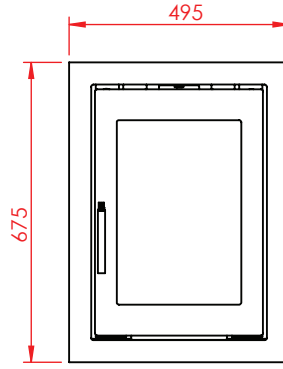
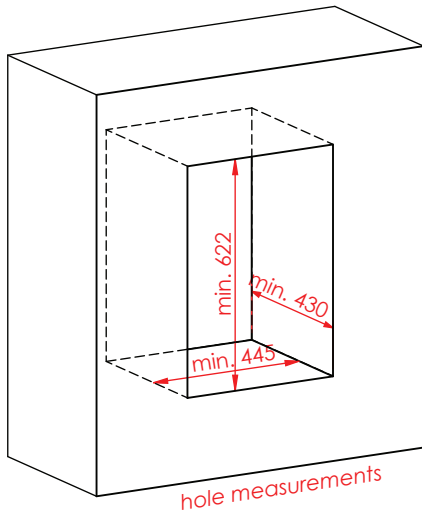
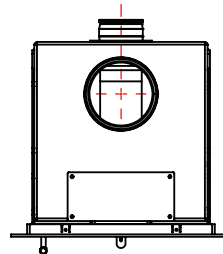
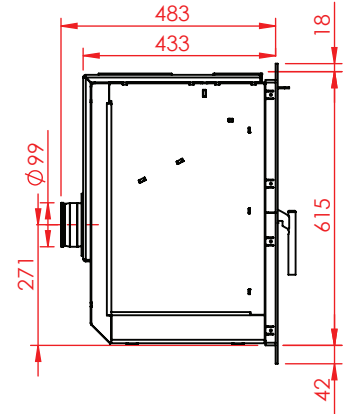
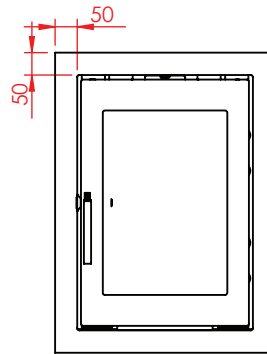
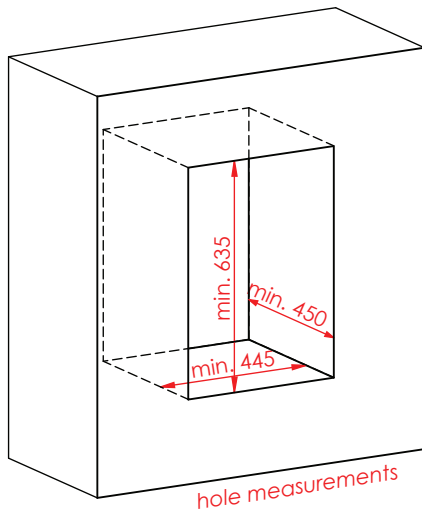


Jupiter 470 vertical

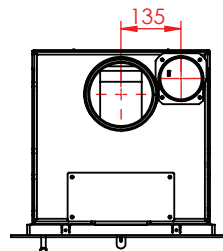
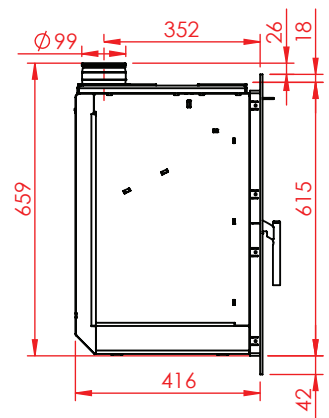
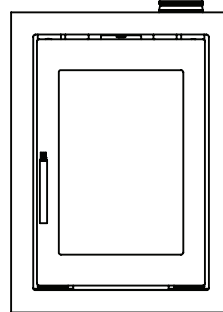
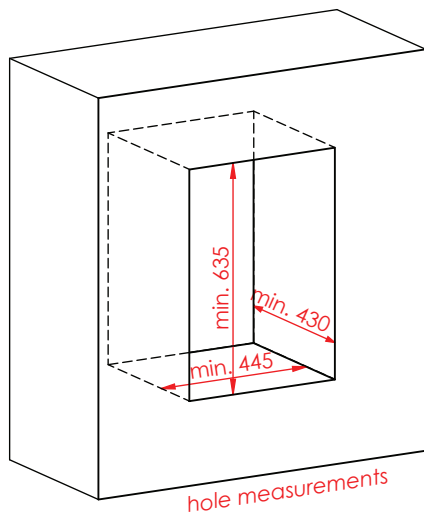
vægt: 90 kg



Jupiter 470 vertical



Jupiter 470 vertical, airbox behind

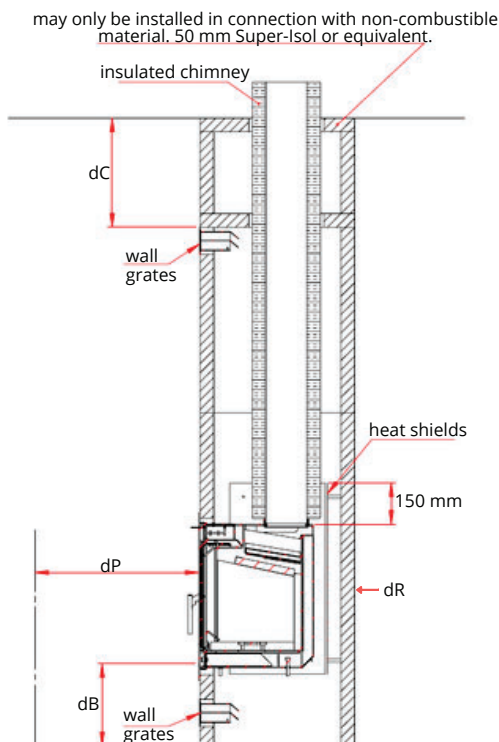
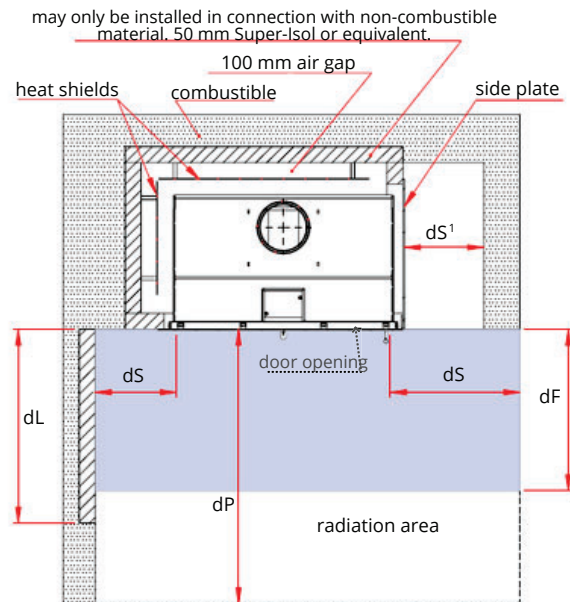
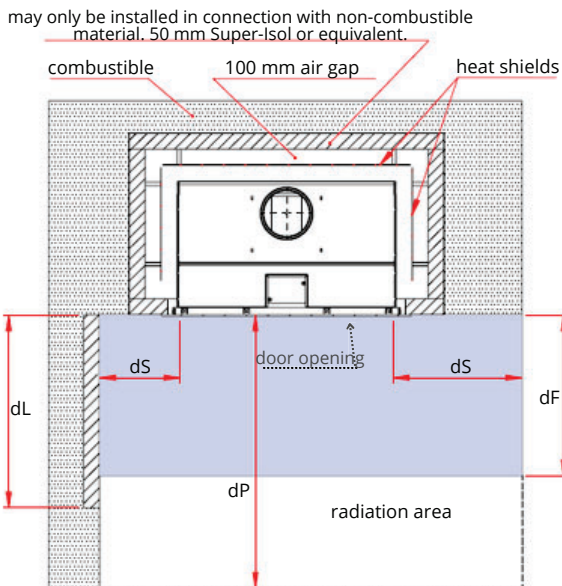


Jupiter 470 vertical, air box on top

Clearance to combustible materials

Jupiter fireplace inserts standard

	dS	dS ¹	dF	dB	dP	dL	dC	dR
Jupiter 470 vertical small	400	note 1	note 2	note 2		note 3	note 4	
Jupiter 470 vertical	400	250	0/650	300	1150	700	400	0
Jupiter 550 vertical	400	250	0/650	300	1150	700	400	0
Jupiter 470 og 470 IR	400	250	0/650	300	1200	700	400	0
Jupiter 550	400	250	0/650	300	1200	700	400	0
Jupiter 470 with curved door	400	250	0/650	300	1200	700	400	0
Jupiter 550 with curved door	400	250	0/650	300	1200	700	400	0
Jupiter 470 XL og 470 XL IR	400	250	0/650	300	1200	700	400	0
Jupiter 550 XL	400	250	0/650	300	1200	700	400	0
Jupiter 470 XL soft	400	250	0/650	300	1200	700	400	0
Jupiter 550 XL soft	400	250	0/650	300	1200	700	400	0



Note 1: dimension measured at a closed side plate
- measured from the edge of the door
*Be aware that the **dS** clearances in front of the insert must still be respected.*

Note 2: safety distance to non-combustible floor
- measured from the floor to the underside of the door edge:
dB ≥ 300 mm = **dF**: 0 mm
dB < 300 mm = **dF**: 650 mm

Note 3: measured from the front edge of the door when
dS < 400 mm

Note 4: measured from the top edge of the wall grates
Heat shields: on all three sides, positioned from the bottom of the stove up to 150 mm above the top of the stove
To ensure correct air circulation within the fireplace cavity, at least 470 cm² of ventilation must be provided below and 630 cm² above the insert. The ventilation openings must be positioned as high as possible, but at least 400 mm from the ceiling.

Safety distance to staircase/combustible ceiling

If combustible staircases or a combustible ceiling are located above the fireplace insert – measured from the top edge of the door to the nearest combustible part of the staircase: **dC** min. 600 mm



front view example at staircase