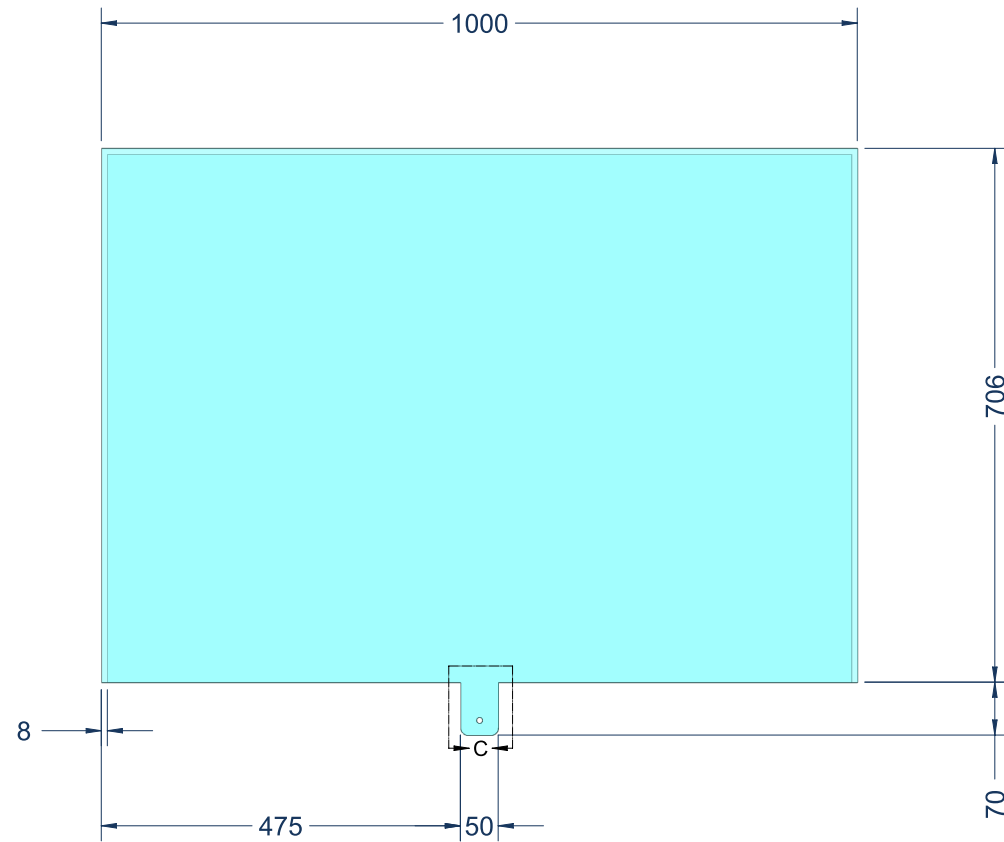


1:15



client
project
item

pn°
units **mm**
size **A3**
page **4**

pm
engineer
date **04-12-2025**
revision