

ROCK THE TRAIL

ENJOY LIFE, FEAR NO CHALLENGES, AND BRING MORE VIVID EXPERIENCE TO OFF-ROAD ENTHUSIASTS.

POISON FROG

IT IS A KIND OF SPIRIT, A KIND OF COURAGEOUS AND PERSISTENT EXPLORATION SPIRIT.

The trail is not only a certain off-road trail, but also represents the big and small setbacks and challenges in our lives.



POISON FROG provides high quality JEEP & OFF-ROAD performance improvement products for off-road enthusiasts. High quality and safety are our pursuit, for which we constantly improve our products.



2026/POISON FROG'S BRAND BROCHURE

ROCK THE TRAIL

CONTENTS

COMPANY

04 COMPANY PROFILE

- 05 About us
- 44 Contact

06 BRAND

- 06 Poison Frog
- 07 M-TEN

PRODUCTS

08 DRIVELINE

- 10 Ring&Pinions
- 12 Front Axle Shaft Kits/cv
- 14 Front Axle Shaft Kits/U-joint
- 16 Rear Axle Shaft Kit
- 18 1350 HD Driveshaft

20 SUSPENSION

- 22 Standard Coil Spring kits
- 26 JL JT Adjustable Track Bar
- 28 0-4.5" adjustable short arms
- 30 Front Control Arm Geometry Correction Brackets
- 32 Lift Kits

34 EXTERIOR PARTS

- 36 JL HD Hinged Spare Tire Carrier&Tire Mount Kit
- 40 M-TEN Powered Off-Road Step Bumper



POISON FROG

COMPANY PROFILE

ABOUT US



Hangzhou JiYe Technology Co., Ltd. was established in 2017. It mainly engages in the design, research and development, assembly and sales of modified accessories for Jeep Wrangler and other hard-core off-road vehicles, and operates its own import and export trade.

We conduct in-depth analysis on chassis suspension, drive system and other performance components, and propose a complete set of upgrade solutions.

Through continuous testing and polishing, its brand Poison Frog has so far completed full coverage of Wrangler suspension and drive, including Wrangler's lifting kit, front and rear speed ratios, front and rear half shafts, front and rear drive shafts, tailgate hinges, electric pedals and other high-quality products.

The company's business scope: automotive parts design and development, import and export trade.

COMPANY PROFILE

BRAND



Poisonfrog was established in 2018, Our goal is to provide a full set of chassis suspension and driveline upgrade solutions for the Jeep Wrangler. Over the past few years, the brand has already had a series of mature products, among which the drive shaft, rear axle shaft, and differential ring&pinions have been Warm welcome and praise from the market.

our slogan is "Rock The Trail"

It is an attitude, a wild and unrestrained attitude. It is a kind of spirit, a kind of courageous and persistent exploration spirit. The trail is not only a certain off-road trail, but also represents the big and small setbacks and challenges in our lives.

We must meet and overcome them with a positive attitude.

Rock the trail! Rock the life!

At the same time, PoisonFrog's best wishes are also entrusted, hoping that all off-road enthusiasts can enjoy the off-road process, enjoy life, fear no challenges, and bring more vivid experience to off-road enthusiasts.



In 2023, PoisonFrog decided to launch a new series and establish the M-TEN brand.

Focusing on the Powered Off road Step Bumper, our R&D team has finally achieved phased results after continuous testing and polishing. Now it is perfectly adapted to the JL/JT models.

Our Step Bumper can meet the use needs of off-road vehicles in a variety of scenarios. Even if your vehicle is raised a lot, M-TEN can help you deal with it easily.

There is also an Off-Road mode that retains the basic protection function of the side bar.

In the near future, M-TEN will continue to develop more off-road models and become your best choice.

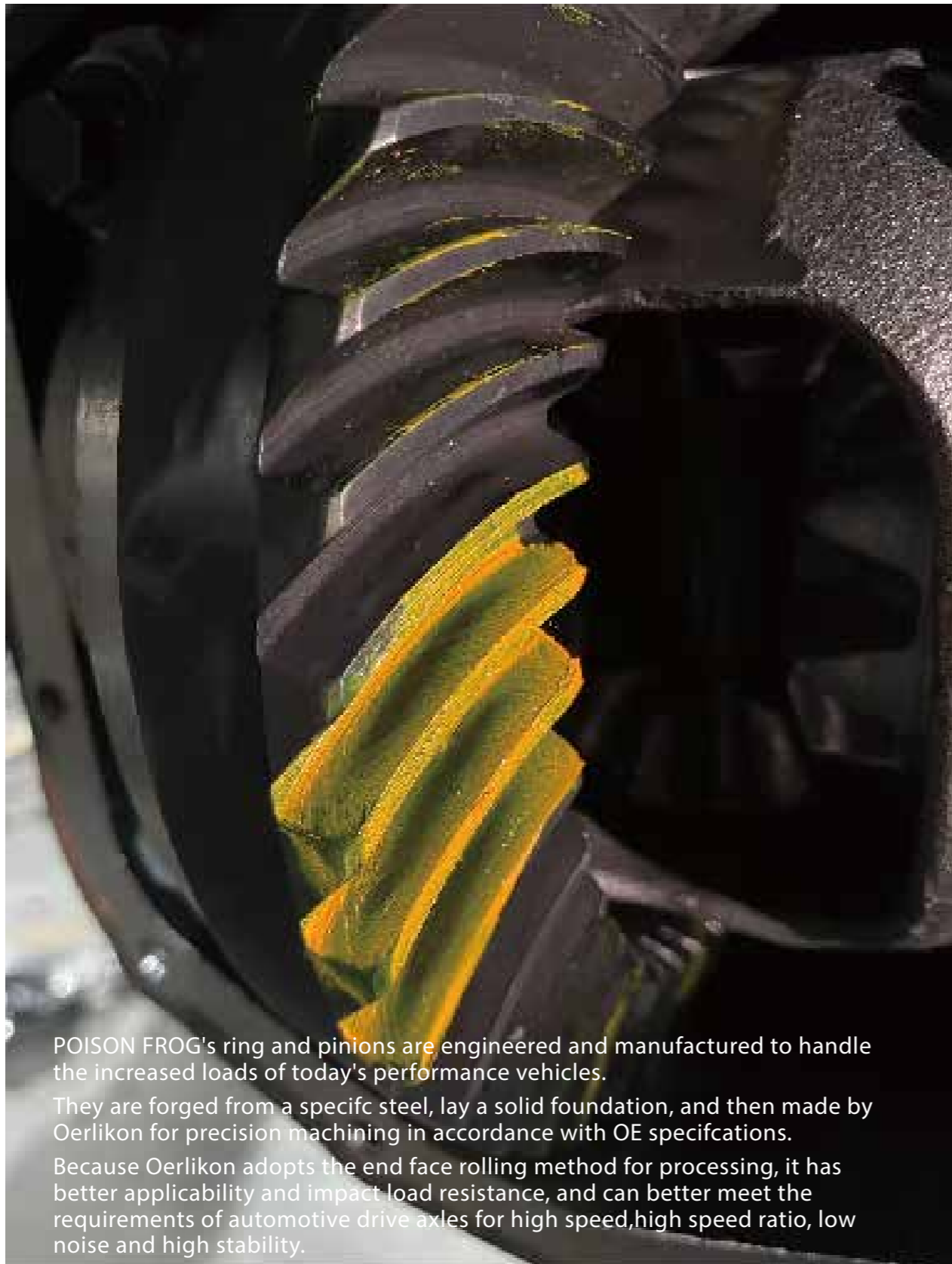


PRODUCTS & DRIVELINE



RING & PINIONS

JL WRANGLER & JT GLADIATOR



POISON FROG's ring and pinions are engineered and manufactured to handle the increased loads of today's performance vehicles.

They are forged from a specific steel, lay a solid foundation, and then made by Oerlikon for precision machining in accordance with OE specifications.

Because Oerlikon adopts the end face rolling method for processing, it has better applicability and impact load resistance, and can better meet the requirements of automotive drive axles for high speed, high speed ratio, low noise and high stability.

In addition, compared with other gears, the Oerlikon gear of the same model can increase the bending strength of the special-shaped pinion by more than 10%, the bending strength of the large wheel by more than 14%, and the contact fatigue life by 30%, which greatly improves the service life of the gear.



THESE ARE THE PROCESSES THAT DIFFERENTIATE US FROM THE COMPETITION.



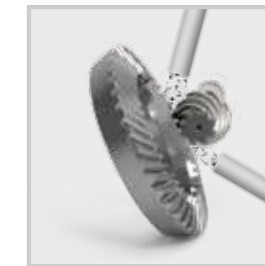
HEAT TREATMENT



FACE HOBGING



SHOT PEENING



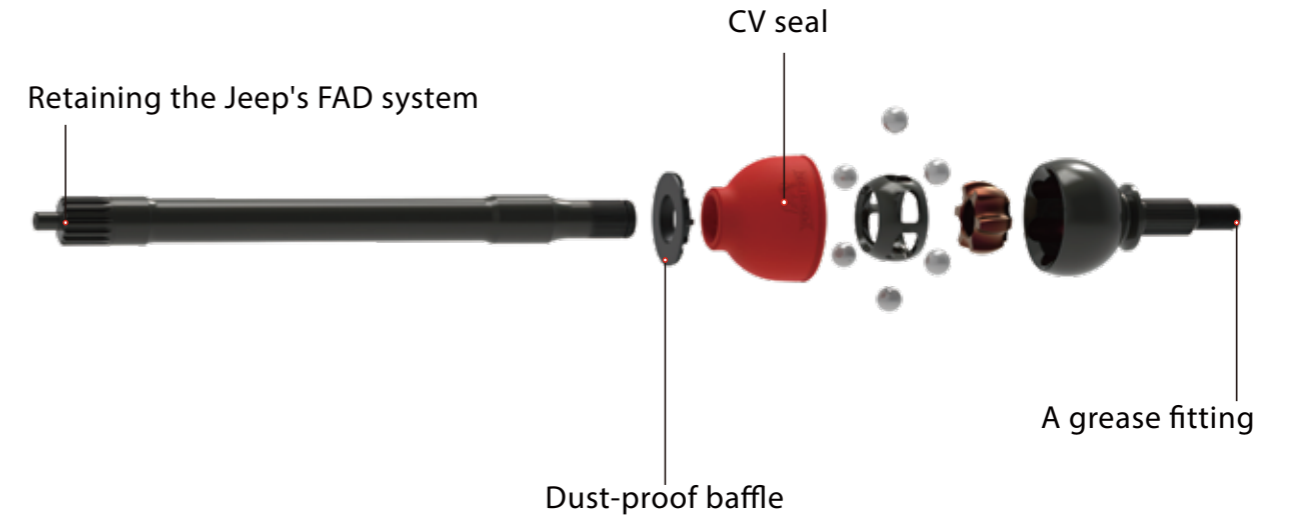
LAPPING

Part.No	Description	UPC	Retail price
630456	JL Dana 30 Front R&P 4.56 OE M186	726962702904	\$318
630488	JL Dana 30 Front R&P 4.88 OE M186	726962702911	\$318
631513	JL / JT / Bronco / Dana 44 Front R&P 5.13 OE M210	726962702997	\$329
631456	JL / JT / Bronco / Dana 44 Front R&P 4.56 OE M210	726962702713	\$318
631488	JL / JT / Bronco / Dana 44 Front R&P 4.88 OE M210	604220839268	\$318
632456	JL Dana 35 Rear R&P 4.56 OE M200	604220839350	\$318
632488	JL Dana 35 Rear R&P 4.88 OE M200	726962702812	\$318
633513	JL / JT / Bronco / Dana 44 Rear R&P 5.13 OE M220	726962702751	\$329
633456	JL / JT / Bronco / Dana 44 Rear R&P 4.56 OE M220	726962702768	\$318
633488	JL / JT / Bronco / Dana 44 Rear R&P 4.88 OE M220	726962702775	\$318
638456	FORD 22-up F150 / Raptor Front R&P 4.56	795847964300	\$329
639456	FORD 22-up F150 / Raptor Rear R&P 4.56	795847964317	\$329
640488	FORD Bronco Front R&P 4.88 OE M190	795847964386	\$318
640513	FORD Bronco Front R&P 5.13 OE M190	795847964393	\$329

POISONFROG FRONT AXLE SHAFT KITS / CV



DRIVELINE 12



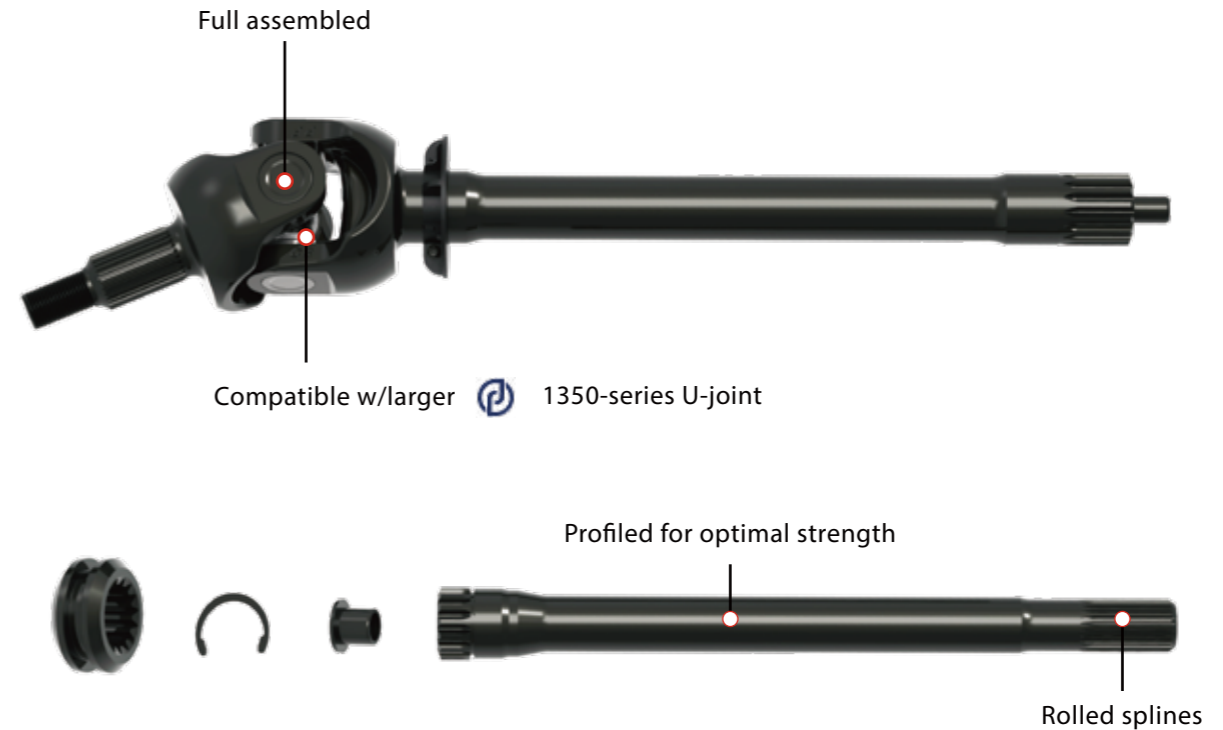
The PoisonFrog CV Axle Shaft kits Forged from 4140H specially tuned steel Double heat treatment to ensure strength. The splined ends are fitted with grease fittings for easy maintenance when required. No need to disassemble any parts.

The CV Joints provide unmatched strength and smoothness you can feel, with 6 full points of contact at angles up to 45 degrees and 100% strength even when steering is locked.

DRIVELINE 13

Part.No	Description	UPC	Retail price
677201	JL CV Front Axle Shaft Kit / M186	726962702898	\$912
68227L	JL CV Front Axle Shaft / M186 / LH	604220839343	\$401
68227R	JL CV Front Axle Shaft / M186 / RH	607816648664	\$602
677202	JL Rubicon CV Front Axle Shaft Kit / M210	607816648671	\$912
68232L	JL Rubicon CV Front Axle Shaft / M210 / LH	607816648688	\$401
68232R	JL Rubicon CV Front Axle Shaft / M210 / RH	607816648695	\$602
677203	JL 4XE / JT Non-Rubicon CV Front Axle Shaft Kit / M210 Wide	607816648701	\$912
68432L	JL 4XE / JT Non-Rubicon CV Front Axle Shaft / M210 Wide / LH	607816648718	\$401
68432R	JL 4XE / JT Non-Rubicon CV Front Axle Shaft / M210 Wide / RH	607816648725	\$602
677204	JL 4XE / JT Rubicon CV Front Axle Shaft Kit / M210 Wide	607816648732	\$912
68632L	JL 4XE / JT Rubicon CV Front Axle Shaft / M210 Wide / LH	607816648749	\$401
68632R	JL 4XE / JT Rubicon CV Front Axle Shaft / M210 Wide / RH	607816648756	\$602

POISONFROG FRONT AXLE SHAFT KITS / U-JOINT



Poisonfrog U-joint reinforced front axle shaft kits Forged from high strength double heat treated 4140H specially tuned steel and specially machined for optimum strength.

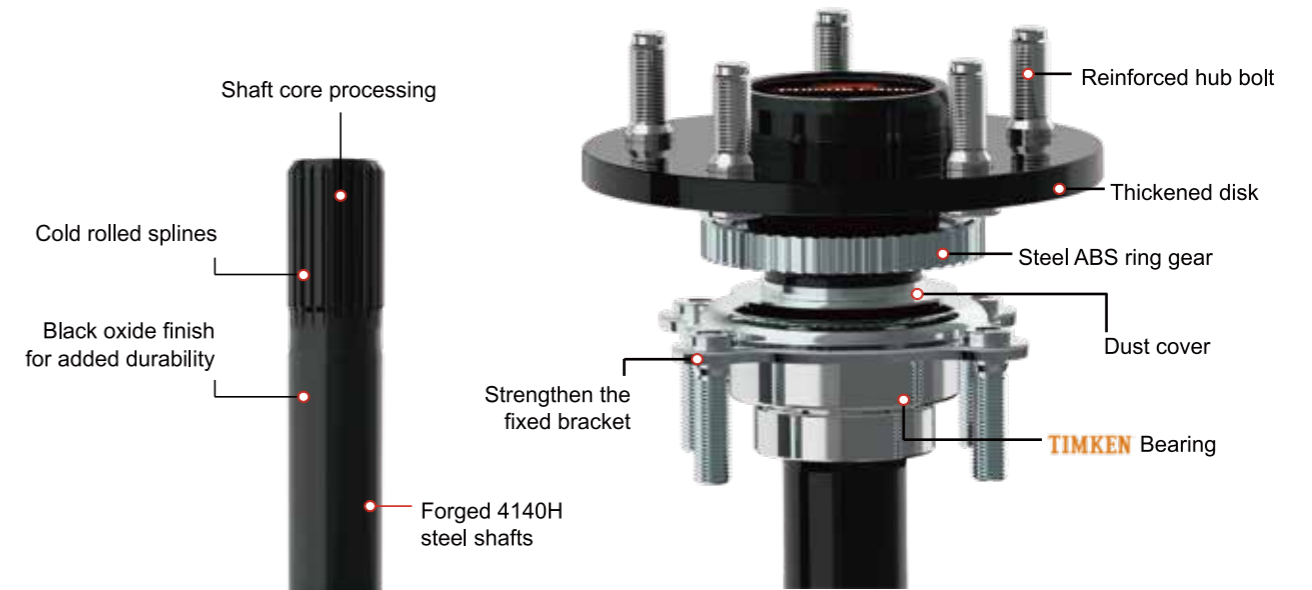
The 1350 ungreaseable U-Joints provides a stable torque output, is not prone to damage and is compatible with the DANA 1350 series, retaining the Jeep's "Front Axle Disconnect" module and retains full functionality of the FAD system.



Part.No	Description	UPC	Retail price
677205	JL U-Joints Front Axle Shaft Kit / M186	607816648466	\$ 769
68127L	JL U-Joints Front Axle Shaft / M186 / LH	607816648473	\$ 338
68127R	JL U-Joints Front Axle Shaft / M186 / RH	795847964058	\$ 458
677206	JL Rubicon U-Joints Front Axle Shaft Kit / M210	795847964065	\$ 769
68132L	JL Rubicon U-Joints Front Axle Shaft / M210 / LH	795847964072	\$ 338
68132R	JL Rubicon U-Joints Front Axle Shaft / M210 / RH	795847964089	\$ 458
677207	JL 4XE / JT Non-Rubicon U-Joints Front Axle Shaft Kit / M210 Wide	795847964096	\$ 769
68332L	JL 4XE / JT Non-Rubicon U-Joints Front Axle Shaft / M210 Wide / LH	795847964102	\$ 338
68332R	JL 4XE / JT Non-Rubicon U-Joints Front Axle Shaft / M210 Wide / RH	795847964119	\$ 458
677208	JL 4XE / JT Rubicon U-Joints Front Axle Shaft Kit / M210 Wide	795847964126	\$ 769
68532L	JL 4XE / JT Rubicon U-Joints Front Axle Shaft / M210 Wide / LH	795847964133	\$ 338
68532R	JL 4XE / JT Rubicon U-Joints Front Axle Shaft / M210 Wide / RH	795847964140	\$ 458

REAR AXLE SHAFT KIT

JK/JL WRANGLER & JT GLADIATOR



Our rear axle shafts are forged from 4140H chrome steel, precision machined and heat treated to withstand the loads produced by larger tires and low gear ratios. Compared with the OE rear axle, the strength is increased by 30%. Rear axle shaft kit include TIMKEN wheel bearings seals, and screw in wheel studs.

Part.No	Description	UPC	Retail price
677101	JK Dana 44 Non-Rubicon Rear Axle Shaft Kit/30Splines/31.9"	607816647889	\$ 615
67130	JK Dana 44 Non-Rubicon Rear Axle Shaft/30Splines/31.9"	607816647896	\$ 318
677102	JK Dana 44 Rubicon Rear Axle Shaft Kit/32Splines	607816647902	\$ 637
67132	JK Dana 44 Rubicon Rear Axle Shaft/32Splines/31.2"/LH	607816647919	\$ 329
67232	JK Dana 44 Rubicon Rear Axle Shaft/32Splines/32.5"/RH	607816647926	\$ 329
677103	JL Dana 35 Non-Rubicon Rear Axle Shaft Kit/29 Splines/M200	607816647933	\$ 637
67129	JL Dana 35 Non-Rubicon Rear Axle Shaft/29 Splines/32.3"/M200	607816647940	\$ 329
677104	JL Dana 44 Rubicon Rear Axle Shaft Kit/32 Splines M220	726962702782	\$ 692
67332	JL Dana 44 Rubicon Rear Axle Shaft/32 Splines/31.5"/LH/M220	607816647957	\$ 351
67432	JL Dana 44 Rubicon Rear Axle Shaft/32 Splines/33.2"/RH/M220	607816647964	\$ 351
677105	JT/JL 4XE Non-Rubicon Rear Axle Shaft Kit/32 Splines /Dana M220 Wide	607816648572	\$ 769
67532	JT/JL 4XE Non-Rubicon Rear Axle Shaft/32 Splines/33.1"/Dana M220 Wide	607816648589	\$ 395
677106	JT/JL 4XE Rubicon HD Rear Axle Shaft Kit/32 Splines/Dana M220 Wide	607816648596	\$ 769
6732E	JT/JL 4XE Rubicon HD Rear Axle Shaft/32Splines /LH/32.2"/Dana M220 Wide	607816648602	\$ 395
6732F	JT/JL 4XE Rubicon HD Rear Axle Shaft/32 Splines/RH/33.9"/Dana M220 Wide	607816648619	\$ 395
677107	Ford Bronco HD Rear Axle Shaft Kits/32 Splines/Dana M220 Wide/Without lock	795847964225	\$ 769
6732J	Ford Bronco HD Rear Axle Shaft /32 Splines/Dana M220 Wide/Without lock/31.65"/LH	795847964232	\$ 395
6732K	Ford Bronco HD Rear Axle Shaft /32 Splines/Dana M220 Wide/Without lock/35.67"/RH	795847964249	\$ 395
677108	Ford Bronco HD Rear Axle Shaft Kits/32 Splines/Dana M220 Wide/With lock	795847964522	\$ 769
6732G	Ford Bronco HD Rear Axle Shaft /32 Splines/Dana M220 Wide/With lock/30.87"/LH	795847964539	\$ 395
6732H	Ford Bronco HD Rear Axle Shaft /32 Splines/Dana M220 Wide/With lock/36.6"/RH	795847964546	\$ 395

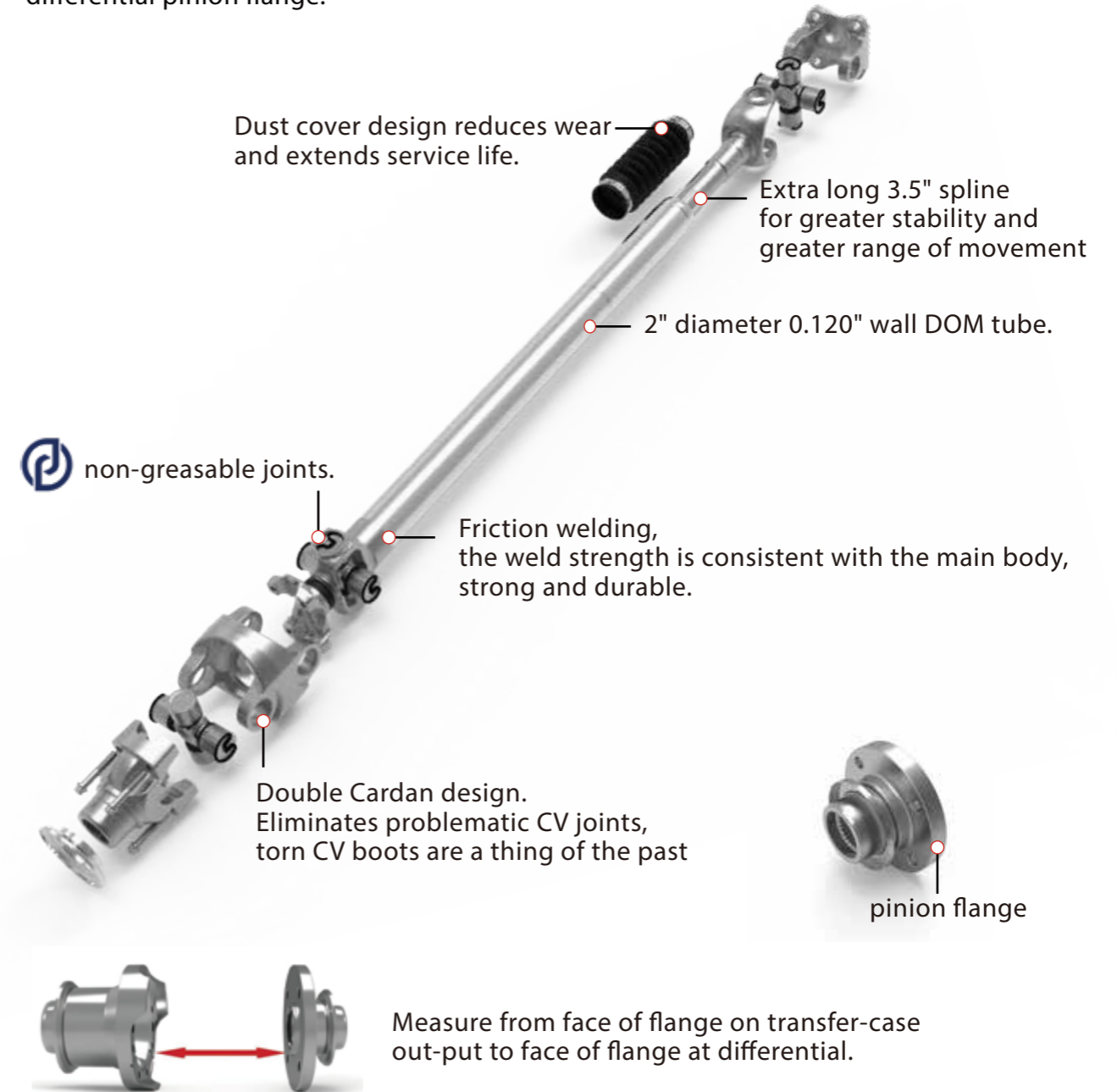
1350 HD DRIVESHAFT

JK/JL WRANGLER & JT GLADIATOR



The double cardan drive shaft is a time tested design that has proven itself in thousands of other Jeeps

The new generation of Poisonfrog 1350 driveshaft still adopts the double cardan design, and the core parts are developed and produced by molds to improve product stability. It is not only equipped with a transfer case yoke as standard, but also equipped with a differential pinion flange.



DRIVELINE 18

DRIVELINE 19

Part.No	Description	Flange	UPC	Retail price
678001	JL D30 Front Drive Shaft M186/ 1350 / 36.875+3"	24AAB	604220839176	\$ 799
678002	JL/JT D44 Front Drive Shaft M210 / 1350 / 36.875+3"	28AAA	604220839183	\$ 799
678003	JK 3.0/3.6L Front Drive Shaft / 1350 / 36.875+3"	JK-24YAB	604220839398	\$ 799
678004	JL 4xe D44 Front Drive Shaft M210wide / 1350/38.5+3"	28AAA	604220838995	\$ 799
678005	JL D35 Rear Drive Shaft 4Door M200 / 1350 / 45.27+2.75"	24YAB	607816648138	\$ 799
678006	JL D44 Rear Drive Shaft 4Door M220 / 1350 / 45.75+2.75"	28YAA/63	610895385863	\$ 799
678007	JK 3.0/3.6L Rear Drive Shaft 4Door / 1350 / 42.75+2.75"	JK-24YAA	610895385870	\$ 799
678008	JL 4xe D44 Rear Drive Shaft 4 Door M220wide / 1350 / 42.75+2.75"	28YAA/63	610895385887	\$ 799

SUSPENSION 20

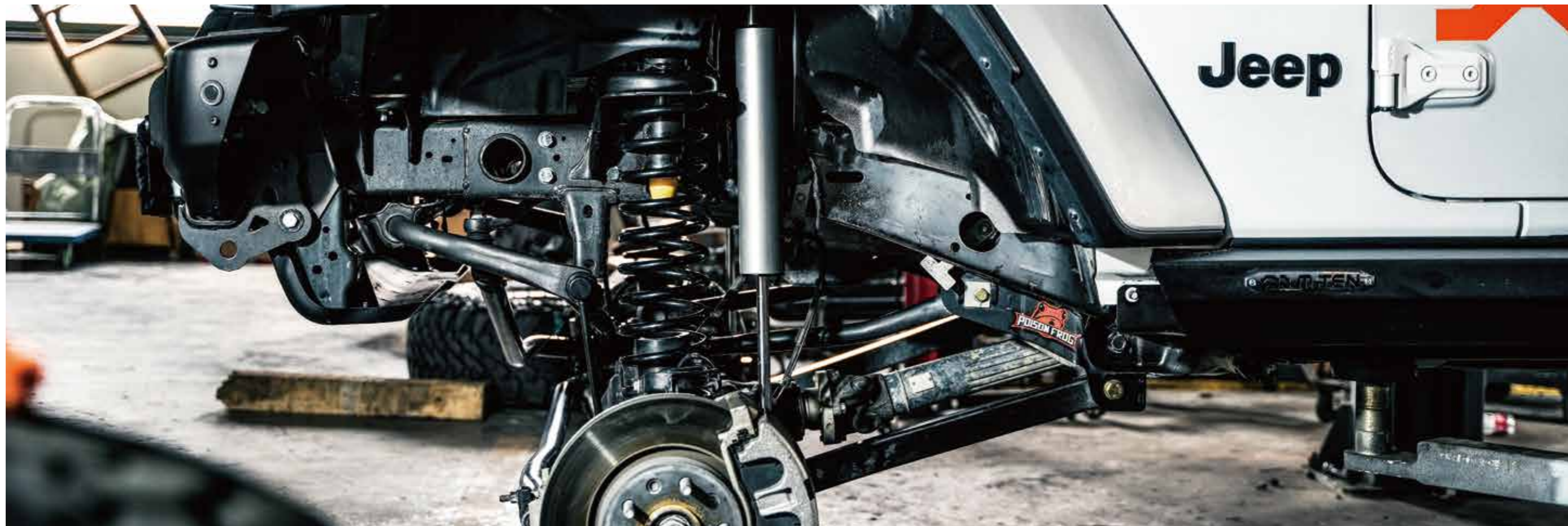


SUSPENSION 21

PRODUCTS & SUSPENSION

JL/JT COIL SPRINGS WITH CORRECTION PADS

SUSPENSION 22



SUSPENSION 23



Equipped with front coil spring upper isolators and lower front coil correction pads to fit all models without bowing.

The helical shape of these Poisonfrog JL / JT: HD Coil Spring Perches are custom designed to fit our Front Lift Coil Springs for JL/JT models. Provides improved support and durability compared to OEM pieces.



These progressive dual-rate coil springs provide consistent performance and predictable handling throughout normal street driving- just like a linear rate spring. When the axle begins to droop the softer sprung upper section of the coil spring begins to unwind for maximum flex and spring retention.

Durable black powder coat finish resists fading, chips. Equipped with front coil spring upper isolators and lower front coil correction pads to fit all models without bowing.

These replacement coil springs engineered specifically for your Jeep and tested over miles of hostile terrain as well as a variety of pavement surfaces. Advanced design and engineering ensure fine tolerances that make a superior coil spring, and every coil is quality checked at the factory to ensure it meets the high standards and specifications of PoisonFrog.

Part.No	Description	UPC	Retail price
931025	JL2.5"Coil Springs / With Correction Pads	610895386037	\$329
931035	JL3.5"Coil Springs / With Correction Pads	610895386044	\$362
931045	JL4.5"Coil Springs / With Correction Pads	610895386051	\$362
932035	JT 3.5"Coil Springs / With Correction Pads	610895386068	\$362
932045	JT 4.5"Coil Springs / With Correction Pads	610895386075	\$362

JL/JT UPGRADE COMPONENTS BOX KITS

JL/JT STANDARD COIL SPRING KITS



#941025



#942035



#941035



#951025



#951035/45



#951035R/45R



#952035/45



#952035R/45R

SUSPENSION 24



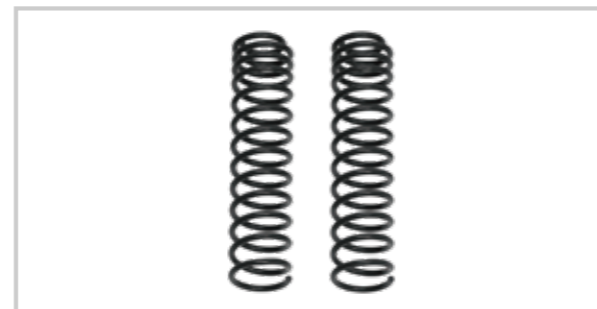
Reduce clearance issues between the tire and sway bar with the Sway Bar Link Kit with Swivel Stud.



Add a performance bump stops and components to get the most out of your vehicle's suspension while protecting its valuable components from damage due to bottoming out.



You may need the track bar axle bracket kit to corrects steering geometry eliminate bump steer and other end issues.



These progressive dual-rate coil springs provide consistent performance and predictable handling throughout normal street driving just like a linear rate spring

Part.No	Description	UPC	Retail price
941025	JL 2.5"Upgrade Components Box Kits	610895386082	\$142
941035	JL 3.5-4.5"Upgrade Components Box Kits	610895386099	\$175
942035	JT 3.5-4.5"Upgrade Components Box Kits	610895386105	\$175

SUSPENSION 25

This easy to install system elevates the new JL/JT's ride quality and off-road performance. Coils pring rates are perfectly tuned for bump compliance and load handling. Detail features include extended sway bar end links and extended bump stops etc,comes with the basic parts needed to fit larger tires for increased ground clearance for better off-road capability without compromising on road handling.This highly tuned system will provide the right height to clear 35" tires on a loaded non-Rubicon models and 37" tires on Rubicon models.

Part.No	Description	UPC	Retail price
951025	JL 2.5" Standard coil spring kit	795847964218	\$439
951035	JL 3.5" Standard coil spring kit	795847964225	\$505
951045	JL 4.5" Standard coil spring kit	795847964232	\$505
952035	JT 3.5" Standard coil spring kit	795847964249	\$505
952045	JT 4.5" Standard coil spring kit	795847964256	\$505
951035R	JL 3.5" Standard coil spring kit / RHD	795847964263	\$505
951045R	JL 4.5" Standard coil spring kit / RHD	795847964270	\$505
952035R	JT 3.5" Standard coil spring kit / RHD	795847964287	\$505
952045R	JT 4.5" Standard coil spring kit / RHD	795847964294	\$505

JEEP JL JT ADJUSTABLE TRACK BAR



The chassis suspension components are subjected to different forces during vehicle operation, and each component is indispensable. The axle experiences tremendous amounts of lateral force while driving and those effects increase exponentially during off-road driving.

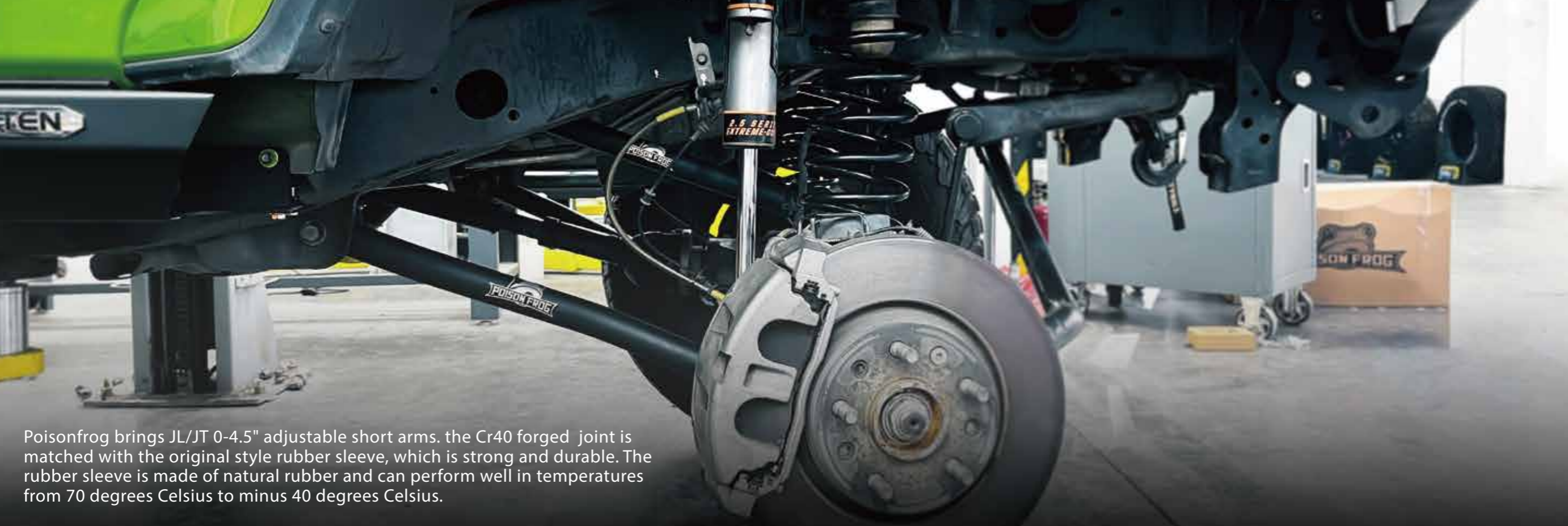


Poisonfrog Forged Adjustable Track Bar withstands these abusive side loads to dramatically improve handling. Track Bars also allow lateral adjustment of the axle for proper axle alignment as well as cycling through full suspension travel without interfering with other components. Our track bar also maximizes exhaust and differential cover clearances.

Part.No	Description	UPC	Retail price
911001	JL / JT 0-6" Adjustable Track Bar / Front	610895385894	\$ 285
911002	JL 0-6" Adjustable Track Bar / Rear	610895385900	\$ 285
911003	JT 0-6" Adjustable Track Bar / Rear	610895385917	\$ 241
911001-R	JL / JT 0-6" Adjustable Track Bar / Front / RHD	610895385924	\$ 285

JEEP JL/JT Adjustable Control Arms

SUSPENSION 28



Poisonfrog brings JL/JT 0-4.5" adjustable short arms. the Cr40 forged joint is matched with the original style rubber sleeve, which is strong and durable. The rubber sleeve is made of natural rubber and can perform well in temperatures from 70 degrees Celsius to minus 40 degrees Celsius.

SUSPENSION 29



DOM steel tubes are specially welded for strength and no weld marks on the surface. After galvanized treatment, the surface is sprayed with plastic to bring extremely high corrosion resistance.

After galvanized treatment, the surface is sprayed with plastic to bring extremely high corrosion resistance.



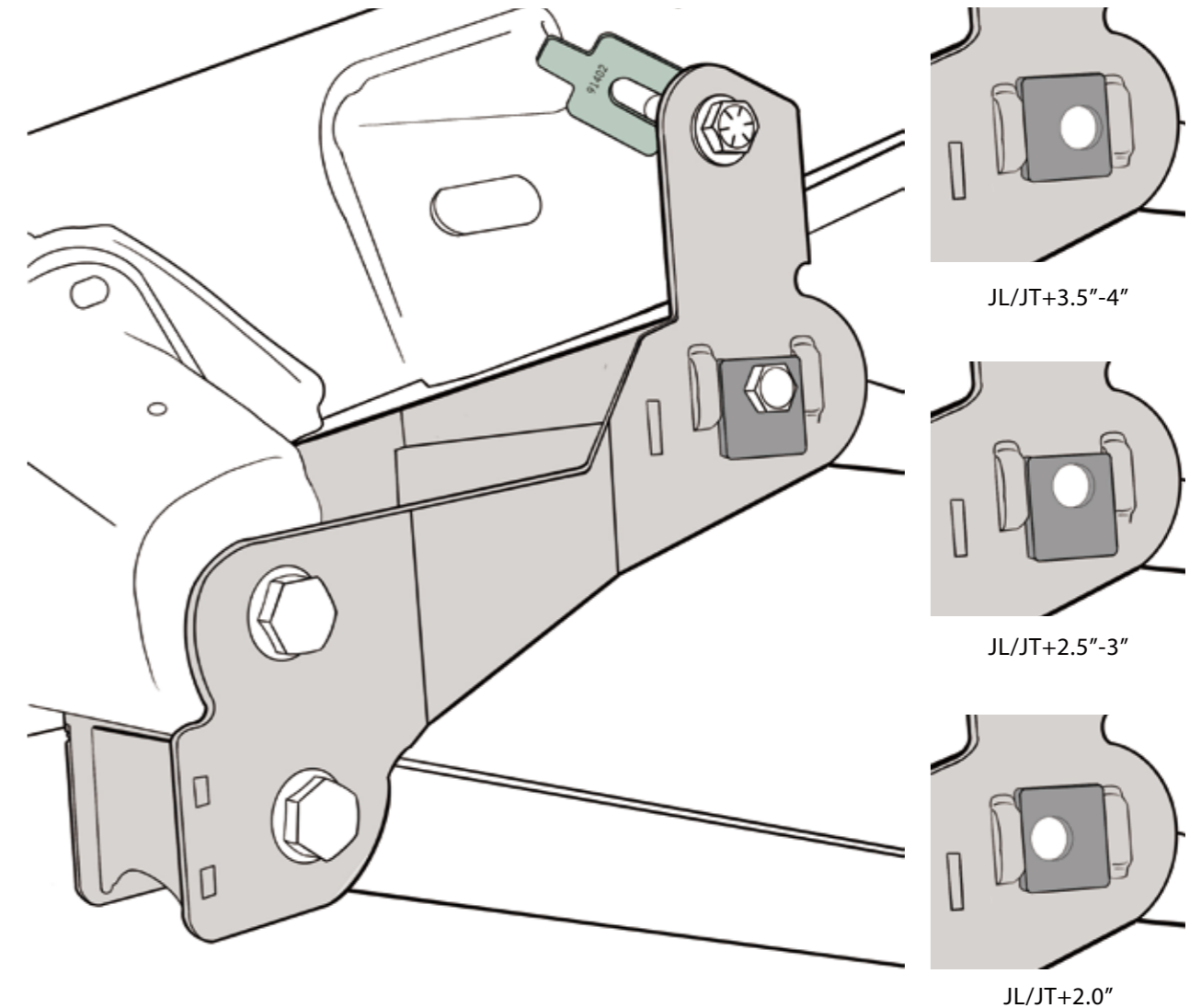
DOM steel tubes are specially welded for strength and no weld marks on the surface.

with the original style rubber sleeve, which is strong and durable

Part.No	Description	UPC	Retail price
951001	JL 0-4.5" Adjustable Short Arms	610895385979	\$989
951002	JT 0-4.5" Adjustable Short Arms	610895386020	\$989

FRONT CONTROL ARM GEOMETRY CORRECTION BRACKETS

POISONFROG JL / JT



SUSPENSION 30

SUSPENSION 31



These PoisonFrog JL/JT: Front Control Arm Geometry Correction Brackets are a must to correct caster angles and restore factory geometry on JL Wrangler/Unlimited models with 2.5-4.5" lift kits and JT Gladiator models with 3.5-4.5" lift kits. Additionally these Sport Frame Brackets reduce dive and improve overall ride quality resulting in a smoother ride. Install these bolt-on brackets between the factory frame mount and the stock front upper and front lower control arms. Can also be used with our adjustable Short Control Arms.

- Limited models with 2.5-4.5" lift kits and JT Gladiator models with 3.5-4.5" lift kits.
- Reduces brake dive and improves overall ride quality resulting in a smoother ride.
- Relocates front upper and front control arm frame mounts.
- Welded and powder coated 5mm steel brackets.
- High-quality OEM grade coatings on all components to prevent rust and corrosion.
- Waist-shaped hole cooperates with the adjustment gasket to reserve 1" adjustment space, and the data is more accurate.

Part.No	Description	UPC	Retail price
991003	JL / JT 2.5-4" Front Control Arm Drop Brackets	607816648657	\$142

Lift Kits



#961025



#971025



#971035/45



#972035R/45R

We offer a variety of combinations for you to choose from, including the most cost-effective 2.5" performance kit and a wider range of short arm kits to meet your different needs. These suspension upgrade kits will improve the performance of your vehicle to a very powerful state. It should be noted that we also provide exclusive parts for right-hand drive vehicles.

Part.No	Description	UPC	Retail price
961025	JL 2.5" coil spring lift kit	795847964409	\$1151
971025	JL 2.5" Performance lift kit	795847964416	\$1998
971035	JL 3.5" Short Arm Suspension System	795847964423	\$2064
971045	JL 4.5" Short Arm Suspension System	795847964430	\$2064
972035	JT 3.5" Short Arm Suspension System	795847964447	\$2020
972045	JT 4.5" Short Arm Suspension System	795847964454	\$2020
971035R	JL 3.5" Short Arm Suspension System RHD	795847964461	\$2064
971045R	JL 4.5" Short Arm Suspension System RHD	795847964478	\$2064
972035R	JT 3.5" Short Arm Suspension System RHD	795847964485	\$2020
972045R	JT 4.5" Short Arm Suspension System RHD	795847964492	\$2020

PRODUCTS & EXTERIOR PARTS

EXTERIOR PARTS 34



EXTERIOR PARTS 35

JL HD HINGED SPARE TIRE CARRIER & TIRE MOUNT KIT



- Accommodate up to 40 inch tires.
- The original parking space installation can disperse the load of the spare tire to a larger area.
- The hinge is made of 6082 forged aluminum.
- Adjustable spare tire frame, suitable for different negative value wheels.
- Full-size adjustable license plate holder, compliant and beautiful.
- Design includes high mount brake light bracket and camera bracket.

Designed to accommodate up to a 40" tire, the PoisonFrog JL:HD Hinged Spare Tire Carrier and HD Adjustable Spare Tire Mount will secure your full-size spare tire over the most extreme trails and rugged terrain.

Part.No	Description	UPC	Retail price
76001	JL HD Hinged Spare Tire Carrier Kit	607816648459	\$ 989

JL HD HINGED SPARE TIRE CARRIER & TIRE MOUNT KIT

EXTERIOR PARTS 88

The original parking space installation can disperse the load of the spare tire to a larger area

Full-size adjustable license plate holder compliant and beautiful

Design includes high brake light bracket and camera bracket

Adjustable spare tire frame suitable for different negative value wheels

The hinge is made of 6082 forged aluminum

Accommodate up to 40" tire

76001

EXTERIOR PARTS 88



M-TEN POWERED OFF-ROAD STEP BUMPER



EXTERIOR PARTS 40

EXTERIOR PARTS 41

M-Ten Powered off-road step bumper are the ideal lifted vehicle steps.

This fully functional, trail rated, step bumper is integrated with a power step for easy access for all demographics.

While it is convenient to get on and off the car, it retains the protective function of the side bars.

Designed with an active power-off switch, it can actively power off to protect the step in off-road conditions.

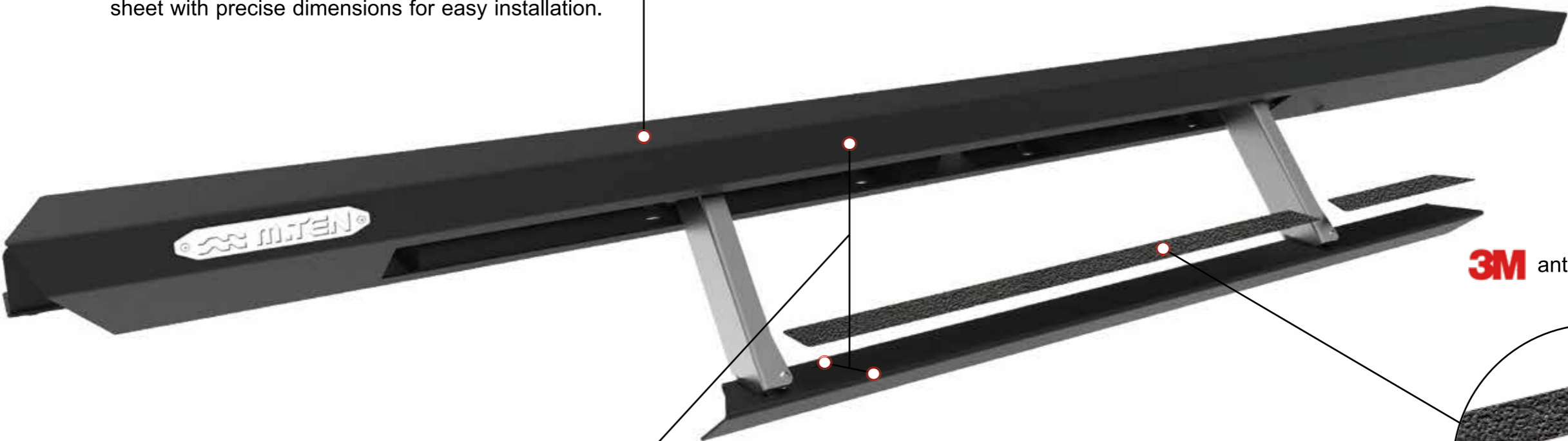
Integrated control module detects obstructions and eliminates pinch hazards.

It uses a stand-alone wire harness, so no splicing or rewiring on your Jeep is necessary. This will allow you to retain your manufacturer warranty after installation.

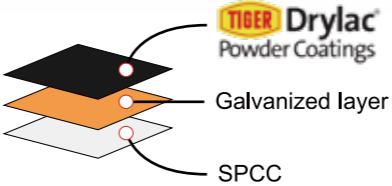
Part.No	Description	UPC	Retail price
JL2DR	JL Wrangler Powered off-road step bumper / 2Door	795847964195	\$ 1649
JL4DR	JL Wrangler Powered off-road step bumper / 4Door	795847964201	\$ 1759
JT4DR	JT Gladiator Powered off-road step bumper / 4Door	795847964218	\$ 1759
JK4DR	JK Wrangler Powered off-road step bumper / 4Door	795847964362	\$ 1759
Bronco4DR	Ford Bronco Powered off-road step bumper / 4Door	795847964379	\$ 1759

M-TEN POWERED OFF-ROAD STEP BUMPER

The main body of it is made of SPCC cold-rolled sheet with precise dimensions for easy installation.



3M anti-slip tape



The step will deploy a full 9 inches down from the body of the step bumper when the door is opened. After closing your door, the step will automatically retract and sit flush with the body of the step bumper.

Contact us

Poisonfrog(Official)

E-mail: pf@poisonfrogusa.com

X(Twitter)

POISON FROG
[@PoisonFrogUSA](https://twitter.com/PoisonFrogUSA)

Facebook

[Poisonfrog](https://www.facebook.com/Poisonfrog)

Instagram

[poisonfrogusa](https://www.instagram.com/poisonfrogusa)



POISON FROG



ROCK THE TRAIL

