

Adjustable



Warranty

## SOLEX-2

Solar Bulkhead

Compact Solar Bulkhead for  
Reliable Outdoor Lighting

The Solex-2 delivers up to 1200 lumens with Osram LEDs, powered by a long-lasting LiFePO4 battery. Easy to install and completely cable-free, it provides secure, weatherproof lighting all year round with multiple modes and hybrid backup for guaranteed performance.



Heated Battery



Weather Proof



Works in Winter



Solar



Eco Friendly

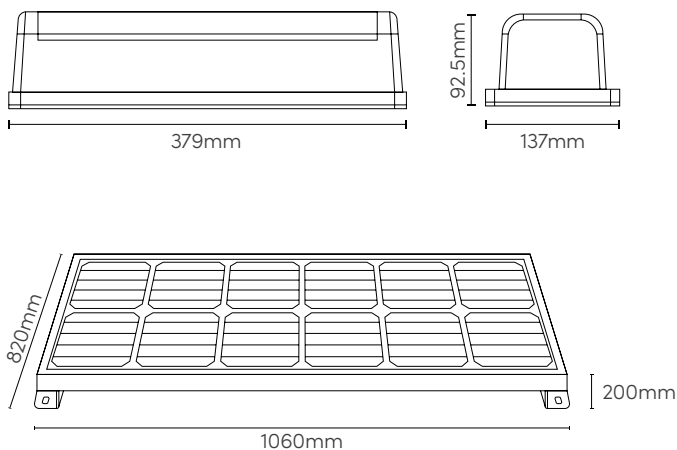


Osram LEDs

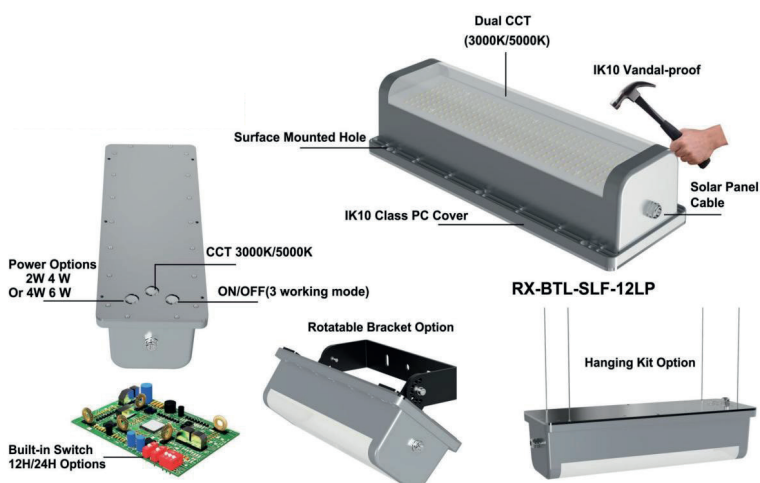
## Benefits

- Compact & Efficient Lighting
- Energy Saving Performance
- Multiple Output Options
- Durable & Reliable
- Hybrid Power Supply
- Smart Battery System
- Flexible Control Modes

## Dimensions



## Features



## Specifications

### Performance

LED Power	2W - 4W - 6W
Lumens	800-1200lm
LED Efficacy	200lm/W
Kelvins	3000K - 4000K
CRI(Ra)	>70
Reported(LM80)	50,000h
Chips	Osram 2835
Beam Angle	120°

### Solar Panel

Solar Panel	Bifacial Mono-Crystalline
Watts	30W

### Battery

Battery Type	12.8V 6AH LiFe PO4
Charge Time	5-7h
Run Time	NA

### Tech

AC-DC Adapter Input	AC 230V
IP Rating	IP65
IK Rating	IK10
Operating Temp	-20°C to 65°C
Material	Power-Coated Die Cast Aluminium

## Assembly Options

