

SYSTEM ACCESSORIES

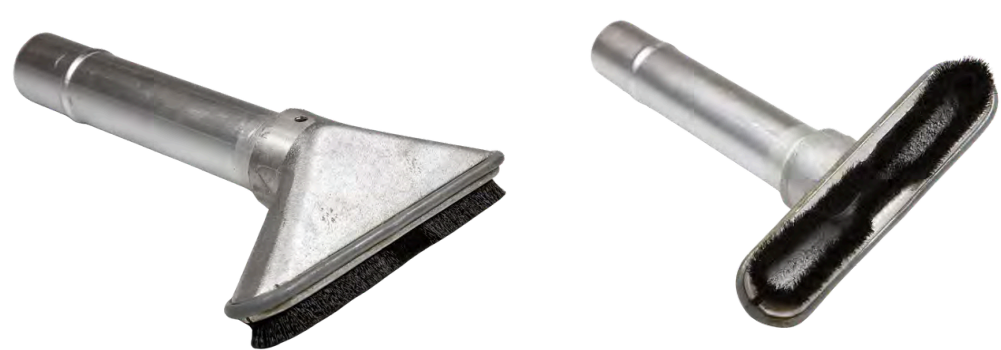
TOOLS AND ATTACHMENTS FOR VACUUM CLEANING SYSTEMS

1.5" Hand Tools

All tools are slip fit and made for 1.5" ID hose or cuffs. No special connectors needed.

Part Number

Description



715-3038

6" WIDE HAND TOOL WITH BRUSH

Cast aluminum brush with removable bristle insert, no tools needed.



715-3022H

4" ROUND DUST BRUSH

Cast aluminum brush with stiff bristles for loosening debris.



715-31019

17" MACHINE CLEANING TOOL

Flexible rubber nozzle tapered to 3/4" for cleaning in tight places. Recommended for electrical equipment, core boxes, and anywhere else a rigid tool is not suitable for.



715-31035

36" BULK CLEANING TUBE WITH BREATHER

Designed with an air breather tube to allow tool end to be submerged in bulk dry material or liquid. Painted steel.



715-3319

1.5" DUCK FOOT

The perfect tool for vacuuming miscellaneous debris. Has a 4" opening that makes quick work of light collection applications.



715-3317

15" STEEL CREVICE TOOL



720-3208

24" CHROME PLATED STEEL CREVICE TOOL

FOR QUESTIONS, QUOTES, OR ORDER REQUESTS, PLEASE SEND AN EMAIL OR CALL

1.5" Wheeled Floor Tool



Part Number
A715-26505

1.5" Wheeled Floor Tool

Part Number
715-121A5

Replacement Rod

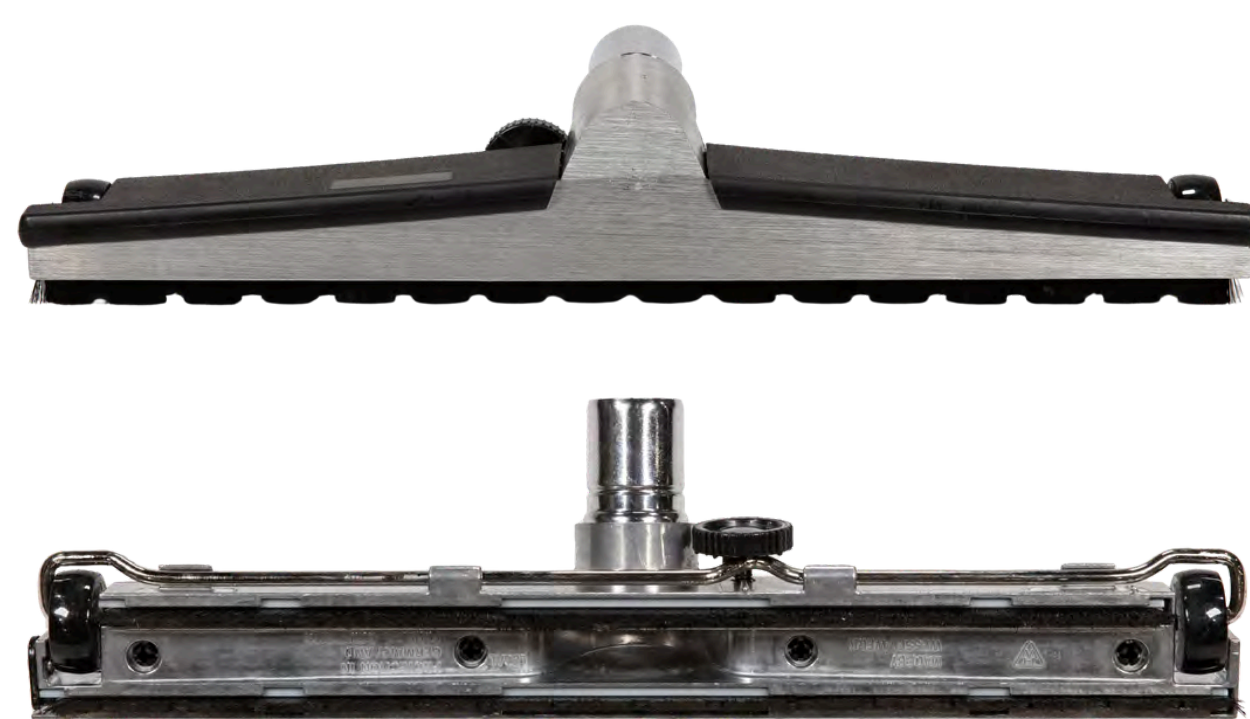


Part Number
715-26505

Replacement Tool

Part Number
75-265BR

Replacement Bristles



1.5" Overhead Rod and Tools



Lightweight handle for use with all 1-1/2" Overhead cleaning tools.

Part Number
715-1019

**60" Alum. Wall Rod
with Swivel End**



For use with Wall Rod only.

Part Number
715-1064

Rod Extension



Cast aluminum with bristle brush insert.

Part Number
715-40260

10" Wall Brush



Cast aluminum with brush insert.

Part Number
715-40300

**4" - 6"
Pipe Cleaning Tool**



Cast aluminum with brush insert.

Part Number
715-40220

5" Round Dusting Brush



Cast aluminum with brush insert.

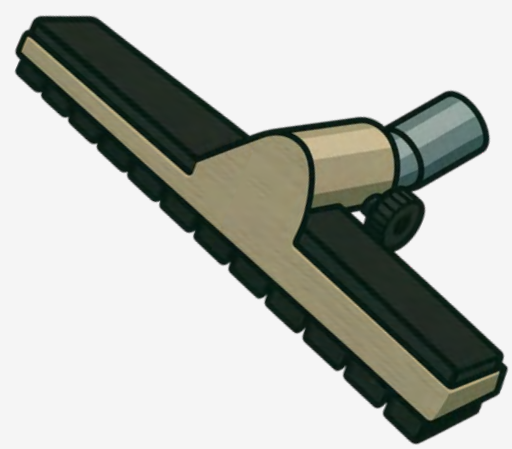
Part Number
715-40320
**6" & Larger
Pipe Cleaning Tool**



FOR QUESTIONS, QUOTES, OR ORDER REQUESTS, PLEASE SEND AN EMAIL OR CALL

TOOLS AND ATTACHMENTS FOR VACUUM CLEANING SYSTEMS

2.0" Wheeled Floor Tool



Aluminum cast with adjustable height wheels make this an excellent choice for general wide area cleaning. Comes with brush and squeegee adapter blades.

Part Number
A720-2700

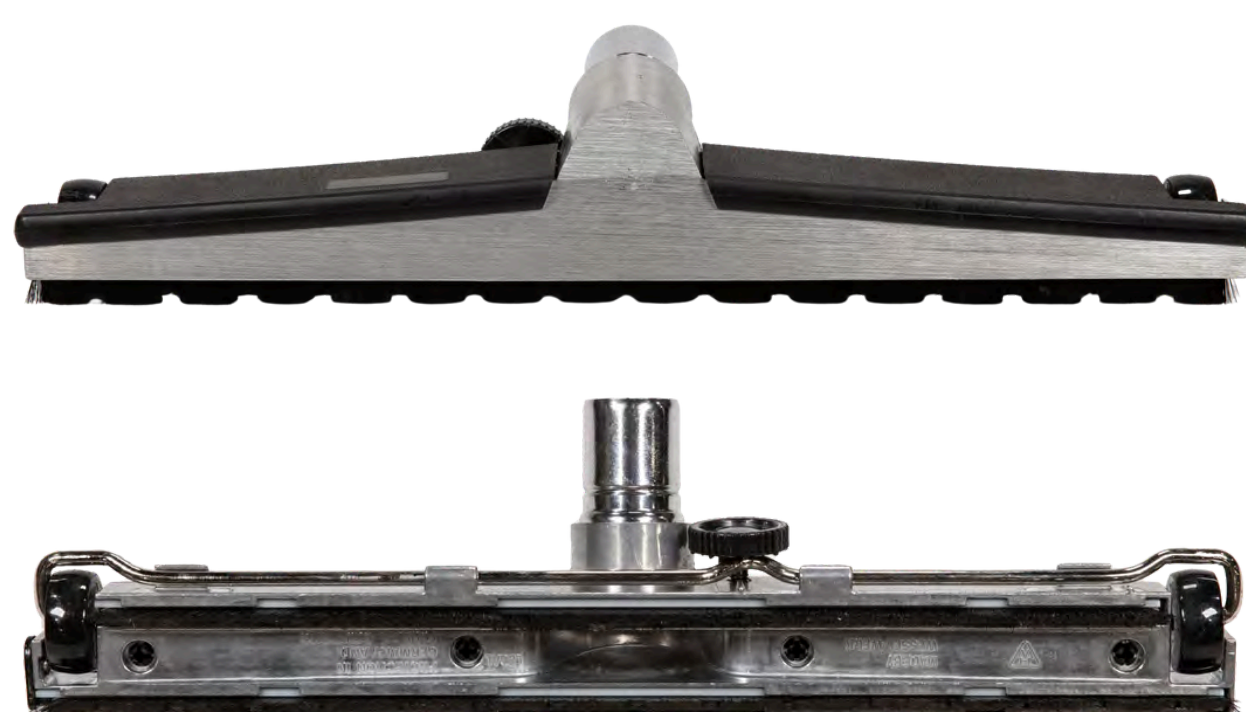
Part Number
720-130

18" Wide Wheeled Floor Tool



Part Number
720-2700

Replacement Tool



Replacement Rod



Part Number
720-27BRPK

Replacement Bristles



2.0" Wall Rod and Tools



Lightweight handle for use with all 2" Overhead cleaning tools.

Part Number
720-1205

**60" Alum. Wall Rod
with Swivel End**

For use with Wall Rod only.

Part Number
715-1203

Rod Extension



Cast aluminum with bristle brush insert.

Part Number
715-40260

10" Wall Brush



Cast aluminum with brush insert.

Part Number
715-40300

**4" - 6"
Pipe Cleaning Tool**



Cast aluminum with brush insert.

Part Number
715-40220

5" Round Dusting Brush



Cast aluminum with brush insert.

Part Number
715-40320

**6" & Larger
Pipe Cleaning Tool**



FOR QUESTIONS, QUOTES, OR ORDER REQUESTS, PLEASE SEND AN EMAIL OR CALL

2.0" Hand Tools

All tools are slip fit and made for 1.5" ID hose or cuffs. No special connectors needed.

Part Number

Description



720-3221

6" WIDE HAND TOOL WITH BRUSH

Cast aluminum brush.



720-3211

5" ROUND DUST BRUSH

Cast aluminum brush.



720-3224

10" HAND BRUSH

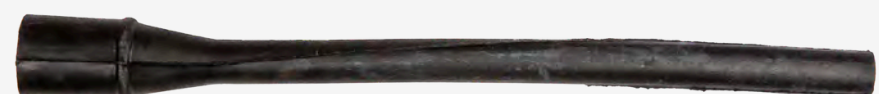
Cast aluminum brush.



720-3321

DUCK FOOT

Utility hand tool made from tough PVC.



720-3019-2

MACHINE CLEANING TOOL

Flexible rubber nozzle tapered to 3/4" for cleaning in tight places.



720-3236

36" BULK CLEANING TUBE

16 Ga. aluminum.



720-3035

36" BULK CLEANING TUBE WITH BREATHER

Designed with an air breather tube to allow tool end to be submerged in bulk dry material or liquid. Painted Steel.



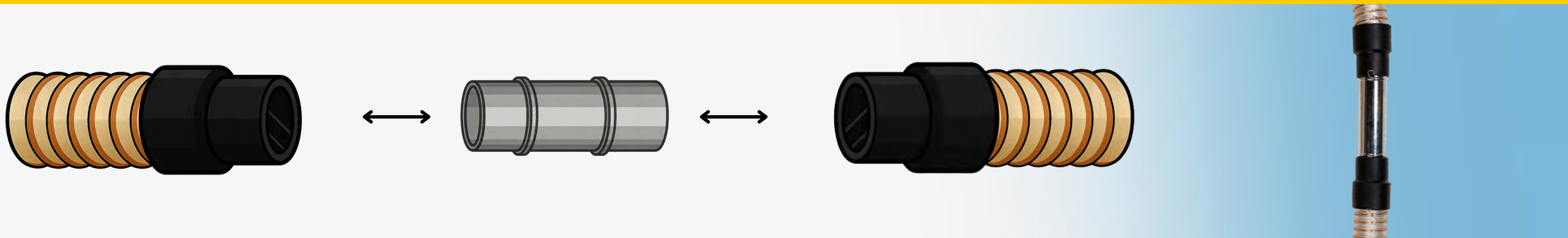
720-3208

15" ALUMINUM CREVICE TOOL

16 Ga. aluminum.

FOR QUESTIONS, QUOTES, OR ORDER REQUESTS, PLEASE SEND AN EMAIL OR CALL

House Coupling / Connector



Part Number
690-100

1.5" Hose Couple / Connector

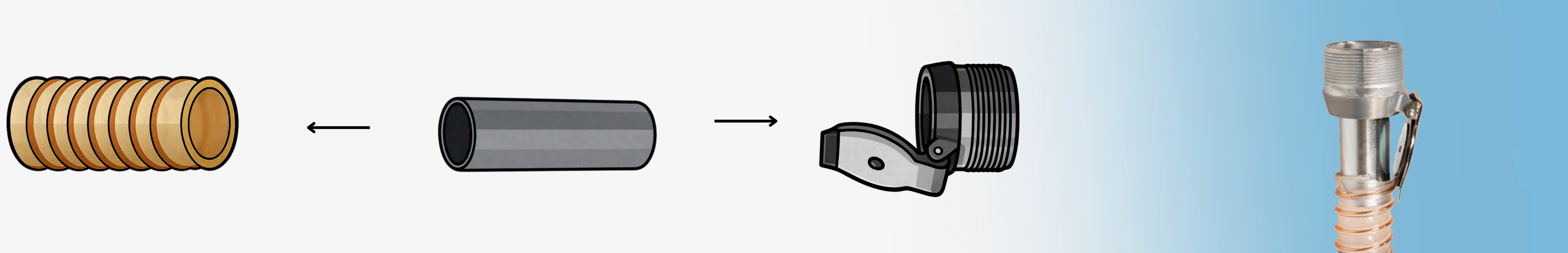
Part Number
690-200

2.0" Hose Couple / Connector

Chrome plated with a friction slip fit to connect two hoses.

Inlet Valve

Hose Nipple



Part Number
840-115

1.5" Inlet Valve

Part Number
840-120

2.0" Inlet Valve

Part Number
690-2115

1.5" Hose Nipple

Part Number
690-2120

2.0" Hose Nipple

For use with #840-150 or 1.5" hose.

For use with #840-120 or 2.0" hose.

FOR QUESTIONS, QUOTES, OR ORDER REQUESTS, PLEASE SEND AN EMAIL OR CALL