

### TOOLS AND ATTACHMENTS FOR VACUUM CLEANING SYSTEMS

## 1.5" Hand Tools

All tools are slip fit and made for 1.5" ID hose or cuffs. No special connectors needed.

#### Part Number

#### Description



**715-3038**

#### 6" UPHOLSTERY BRUSH

Cast aluminum brush with removable bristle insert, no tools needed.



**715-3022H**

#### 4" ROUND DUSTING BRUSH

Cast aluminum brush with stiff bristles for loosening debris.



**715-31019**

#### 17" MACHINE CLEANING TOOL

Flexible rubber nozzle tapered to 3/4" for cleaning in tight places. Recommended for electrical equipment, core boxes, and anywhere else a rigid tool is not suitable for.



**715-31035**

#### 36" BULK PICK UP TUBE WITH BREATHER

Designed with an air breather tube to allow tool end to be submerged in bulk dry material or liquid. Painted steel.



**715-3319**

#### 1.5" DUCK FOOT

The perfect tool for vacuuming miscellaneous debris. Has a 4" opening that makes quick work of light collection applications.



**715-3317**

#### 15" STEEL CREVICE TOOL

FOR QUESTIONS, QUOTES, OR ORDER REQUESTS, PLEASE SEND AN EMAIL OR CALL

## 1.5" Wheeled Floor Tool



Part Number

**A715-26505**

### 1.5" Wheeled Floor Tool

Lightweight handle for use with all 1.5" Floor tools.

Comes with brush and squeegee adapter blades.



**715-121A5**

#### REPLACEMENT ROD FOR 1.5" WHEELED FLOOR TOOL

Cast aluminum with bristle brush insert.



**715-26505**

#### REPLACEMENT SQUEEGEE AND BRUSH FOR 1.5" WHEELED FLOOR TOOL

Cast aluminum with brush insert.



**715-2650BR**

#### BRUSH SET FOR 1.5" WHEELED FLOOR TOOL

Cast aluminum with brush insert.

FOR QUESTIONS, QUOTES, OR ORDER REQUESTS, PLEASE SEND AN EMAIL OR CALL

## 1.5" Overhead Rod and Tools



Part Number

**715-40260**

### 1.5" Overhead Rod

Lightweight handle for use with all 2" Overhead tools.



Part Number

**715-1203**

### Extension

for 1.5" Overhead Rod

For use with Overhead Rod only.



**715-40260**

### 10" WALL BRUSH

Cast aluminum with bristle brush insert.



**715-40300**

### 4" - 6" PIPE CLEANING TOOL

Cast aluminum with brush insert. Used for 4" - 6" pipes.



**715-40220**

### 5" ROUND DUSTING BRUSH

Cast aluminum with brush insert.



**715-40320**

### 6" & LARGER PIPE CLEANING TOOL

Cast aluminum with brush insert. Used for pipes larger than 6".

FOR QUESTIONS, QUOTES, OR ORDER REQUESTS, PLEASE SEND AN EMAIL OR CALL

### TOOLS AND ATTACHMENTS FOR VACUUM CLEANING SYSTEMS

## 2.0" Hand Tools

All tools are slip fit and made for 2.0" ID hose or cuffs. No special connectors needed.

#### Part Number

#### Description



**720-3221**

#### 6" UPHOLSTERY BRUSH

Cast aluminum brush.



**720-3211**

#### 5" ROUND DUSTING BRUSH

Cast aluminum brush.



**720-3224**

#### 10" HAND BRUSH

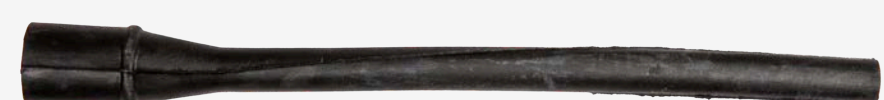
Cast aluminum brush.



**720-3321**

#### DUCK FOOT

Utility hand tool made from tough PVC.



**720-3019-2**

#### MACHINE CLEANING TOOL

Flexible rubber nozzle tapered to 3/4" for cleaning in tight places.



**720-3236**

#### 36" BULK PICK UP TUBE

16 Ga. aluminum.



**720-3035**

#### 36" BULK PICK UP TUBE WITH BREATHER

Designed with an air breather tube to allow tool end to be submerged in bulk dry material or liquid. Painted Steel.



**720-3208**

#### 15" ALUMINUM CREVICE TOOL

16 Ga. aluminum.

FOR QUESTIONS, QUOTES, OR ORDER REQUESTS, PLEASE SEND AN EMAIL OR CALL

## 2.0" Wheeled Floor Tool



Part Number

**A720-2700**

### 2" Wheeled Floor Tool

Aluminum cast with adjustable height wheels for general wide area cleaning.

Comes with brush and squeegee adapter blades.



**720-130**

#### REPLACEMENT ROD

FOR 2.0" WHEELED FLOOR TOOL

Cast aluminum with bristle brush insert.

**720-2700**

#### REPLACEMENT SQUEEGEE AND BRUSH

FOR 2.0" WHEELED FLOOR TOOL

Cast aluminum with brush insert.

**720-27BRPK**

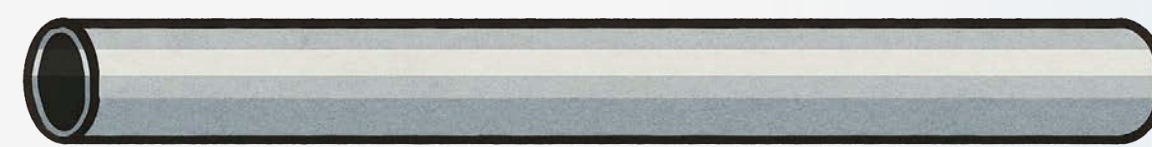
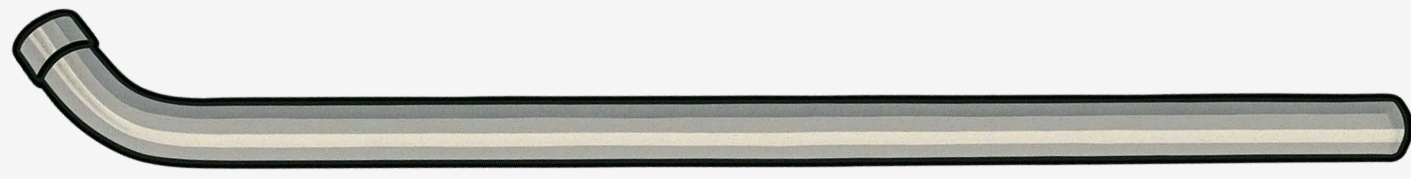
#### BRUSH SET

FOR 2.0" WHEELED FLOOR TOOL

Cast aluminum with brush insert.

FOR QUESTIONS, QUOTES, OR ORDER REQUESTS, PLEASE SEND AN EMAIL OR CALL

## 2.0" Wall Rod and Tools



Part Number

**720-1205**

**2.0" Wall Rod**

Lightweight handle for use with all 2" Wall tools.



Part Number

**720-1203**

**Extension  
for 2.0" Wall Rod**

For use with Wall Rod only.



**720-40260**

**10" WALL BRUSH**

Cast aluminum with bristle brush insert.



**720-40300**

**4" - 6" PIPE CLEANING TOOL**

Cast aluminum with brush insert. Used for 4" - 6" pipes.



**720-40220**

**5" ROUND DUSTING BRUSH**

Cast aluminum with brush insert.



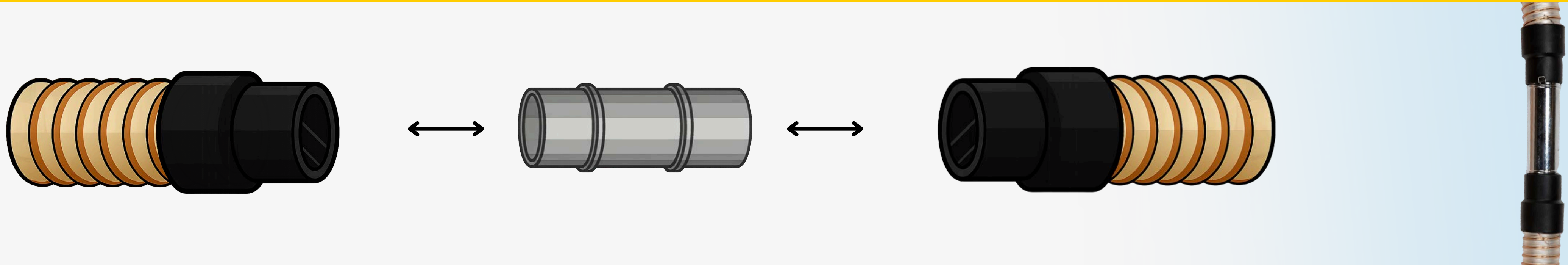
**720-40320**

**6" & LARGER PIPE CLEANING TOOL**

Cast aluminum with brush insert. Used for pipes larger than 6".

FOR QUESTIONS, QUOTES, OR ORDER REQUESTS, PLEASE SEND AN EMAIL OR CALL

## House Coupling / Connector



Part Number

**690-100**

### 1.5" Hose Couple / Connector

Part Number

**690-200**

### 2.0" Hose Couple / Connector

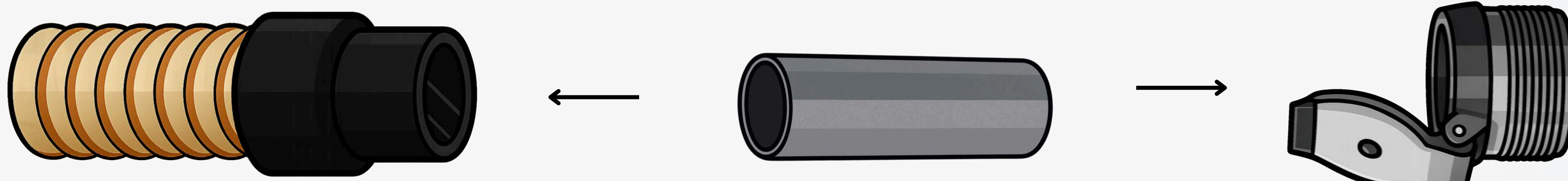


Hose sold separately.

Chrome plated with a friction slip fit to connect two hoses.

## Inlet Valve

## Hose Nipple



Part Number

**840-115**

### 1.5" Inlet Valve

For use with #840-150 or 1.5" hose.

Part Number

**840-120**

### 2.0" Inlet Valve

For use with #840-120 or 2.0" hose.

Part Number

**690-2115**

### 1.5" Hose Nipple

For use with #840-150 or 1.5" hose.

Part Number

**690-2115**

### 2.0" Hose Nipple

For use with #840-120 or 2.0" hose.

FOR QUESTIONS, QUOTES, OR ORDER REQUESTS, PLEASE SEND AN EMAIL OR CALL