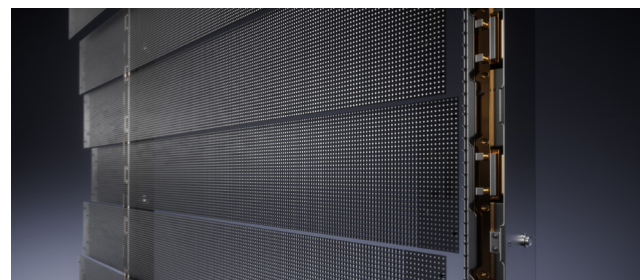
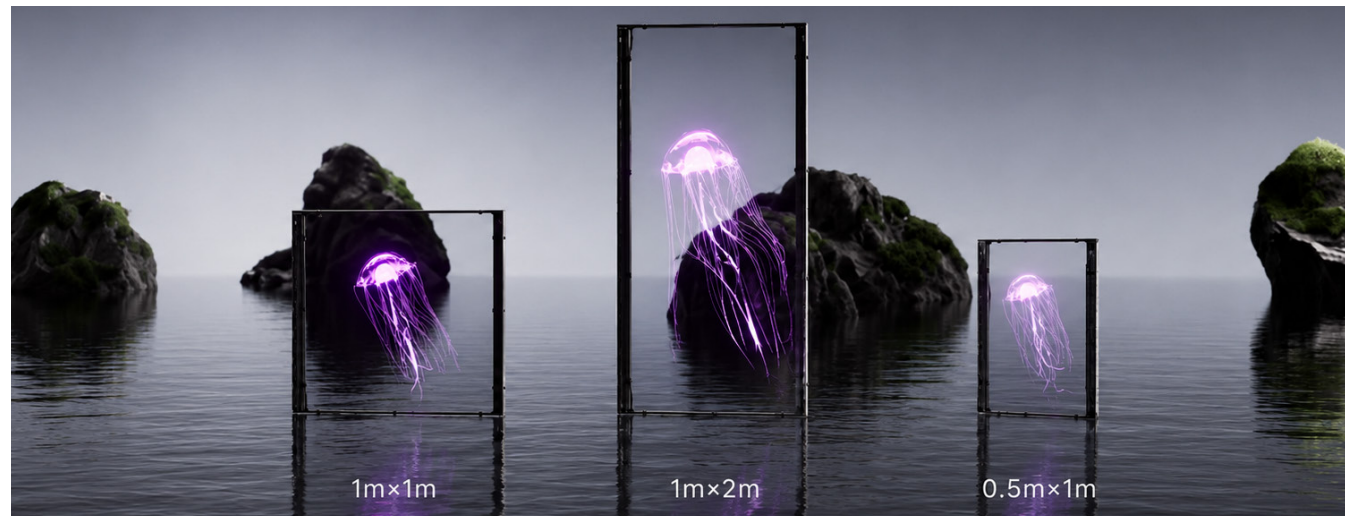
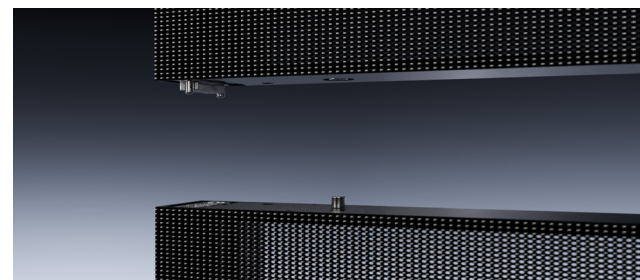


CLEARLED MICROMESH™ Tour

Optimized for rental and event applications—MicroMESH™ Tour is lightweight, modular, and quick to deploy or dismantle, ideal for mobile, stage, and temporary installations demanding maximum transparency, flexibility, and visual impact.



Self-Aligning Module Design



Snap-in Snap-out Connection Design

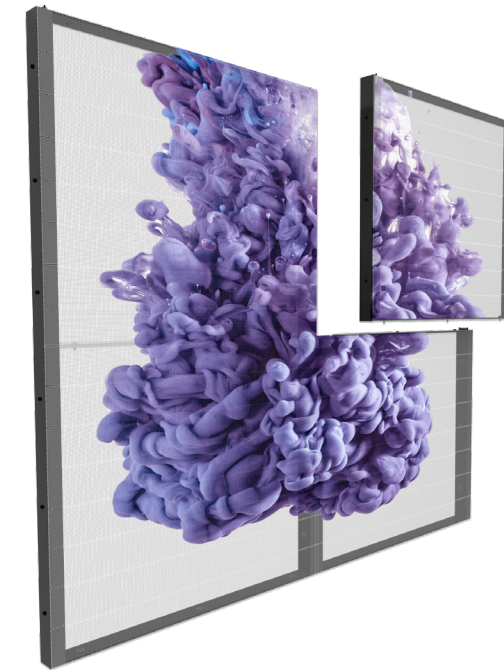
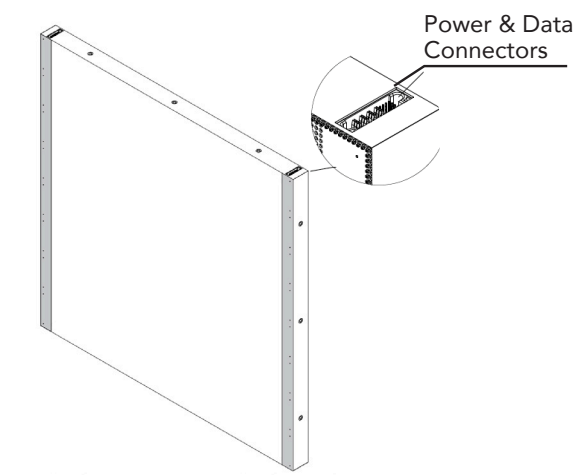
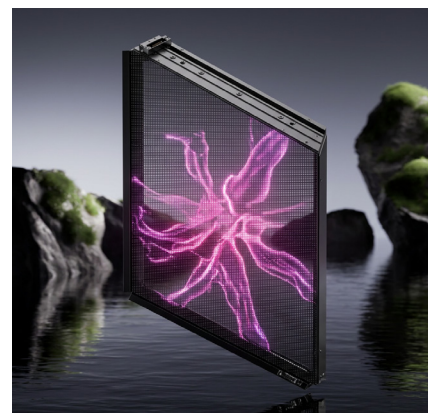


Easy Maintenance Access



Integrated Diagnostic Button

0.5x1m panel features a 45° edge for multi-sided display designs



- 8.5kg/m²**
Light Weight
- 3,000nits**
Brightness
- 3,840Hz**
High Refresh Rate
- 80%**
Transparency
- 140°**
Viewing Angle
- IP43**
Dust & Water Resistant

| MODULE | MMT3.9 | MMT 7.8 |
|--|--|-----------|
| Pixel Pitch (mm) | 3.9 x 3.9 | 7.8 x 7.8 |
| Pixel Density (pixel/m ²) | 65,536 | 16,384 |
| Pixel Per Cabinet (pixel) | 256 x 256 | 128 x 128 |
| LED Configuration | SMD 1415 | |
| Cabinet Size | 500 x 1,000 x 62mm 1,000 x 1,000 x 62mm 1,000 x 2,000 x 62mm | |
| Brightness (nits) | 3,000 | |
| Transparency | 80% | |
| Viewing Angle (H/V) | 140°/120° | |
| Grayscale (bits) | 16 | |
| Refresh Rate (Hz) | 3,840 | |
| Cabinet Weight (kg/m ²) | 8.5 | |
| Max. Power Consumption (W/m ²) | 300 | |
| Max. Number of Cabinets (Vertically) Per Power Input | 10pcs (10.00m) | |
| IP Rating | IP43 | |
| Working Temperature (°C) | -20 ~ 50 | |
| Working Humidity (%RH) | 10 ~ 90 | |
| LED Lifetime (hours) | 100,000 | |