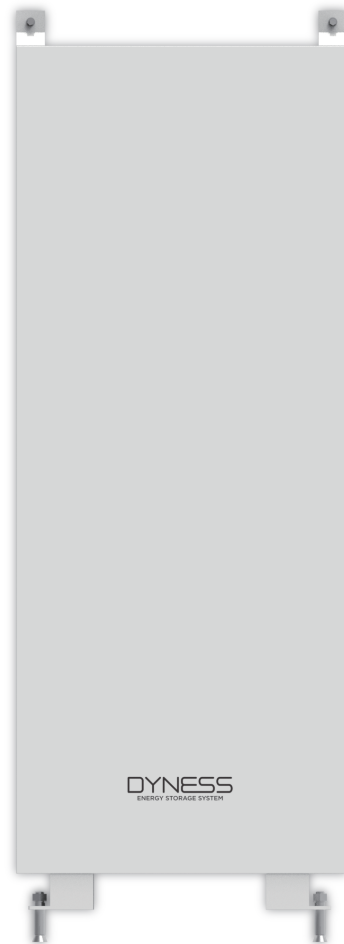


Installation Instruction

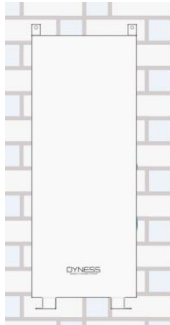




Cabiner (for B4850)






1 Unpacking inspection

- When the equipment arrives at the installation site, loading and unloading should be carried out according to the rules requirements and regulations, to prevent it from exposure to sun and rain.
- Before unpacking, the total number of packages shall be indicated according to the shipping list attached to each item, and the case shall be checked for good condition.
- Handle with care and protect the surface coating of the object, when unpack the package.
- Open the package, and the professional installation personnel should read the technical documents, verify the list according to the configuration table and packing list, and ensure objects are complete and intact. If the internal packaging is damaged, it must be inspected and recorded in detail.

Packing list is as follows:

Item	Quantity	Figure
Cabinet	1	
M12 expansion screw	4	
M6 expansion screw	2	
M6*14 screw	4	
A pair of battery parallel lines	1	

3m Standard communication cable	1	
0.8m Standard communication cable	1	
Fixed connecting piece	2	

2 Engineering Coordination

Attention needs to be paid to the following items before construction:

- Power cable specification.
- The power cable specification shall meet the requirements of maximum discharge current for each product.
- Mounting space and bearing capacity.
- Ensure the battery has enough space to install; The battery modules and bracket have enough load capacity.
- Wiring.
- Ensure the power cable and ground wire are reasonable. Not easy to short-circuit, water and corrosion.

3 Equipment installation

The wall for battery installation shall be solid brick or cement wall with strong bearing capacity and wall thickness of no less than 100mm.

Mounting space requirements:

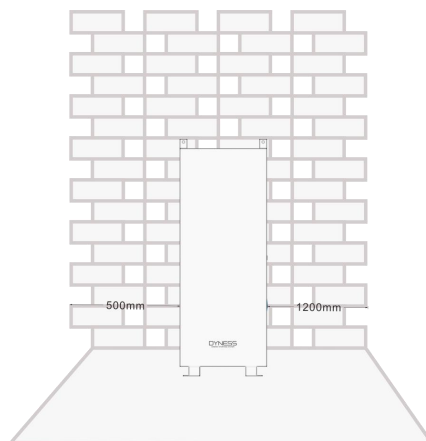


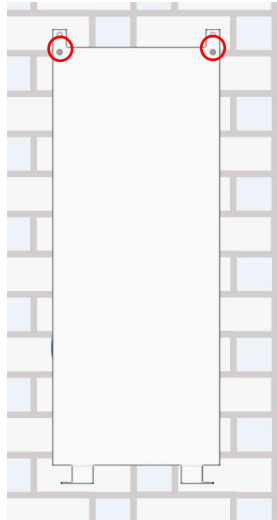
Table 3-1 Installation Steps

Step1 Mechanical Installation
Equipment Installation
Step2 Battery Module Installation
1. Ensure that the battery power is turned off. 2. Battery module installation
Step3 Electrical Installation
1. Connect the ground cable 2 Power cable connection 3. Communication interface connection 4. Connect inverter

Mechanical Installation

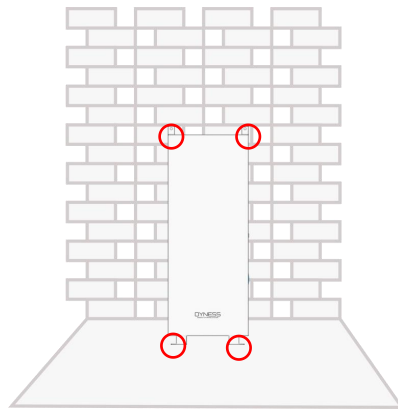
Step 1

1. Lock the two fixing pieces with two M6*14 screws at their corresponding positions on the back of the cabinet, as shown in the figure.



Step 2

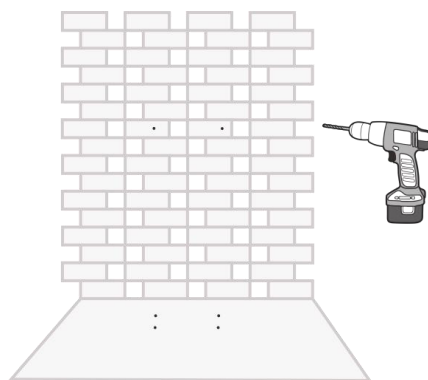
To prepare for installation, place the empty cabinet in its designated position, carefully mark the screw holes on both the floor and the wall, and only proceed to remove the cabinet after ensuring that all the marking is complete and accurate.



Step 3

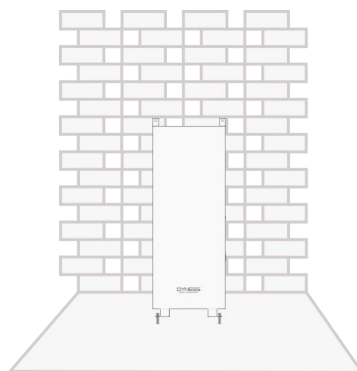
Using an electric drill, create two holes on the wall at the marked positions. The diameter of each hole should be 10mm, and the depth should be at least 40mm.

Using an electric drill, create four holes on the ground. Each hole should have a diameter of 15mm and a depth of at least 45mm.



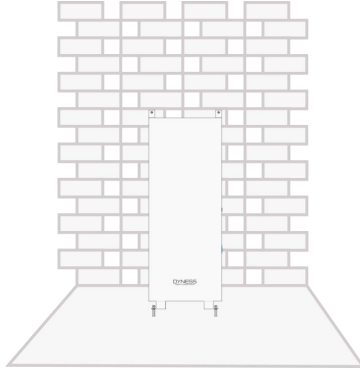
Step 4

Put four M12 expansion screws into the corresponding holes in the ground, then install the cabinet as shown in the figure.

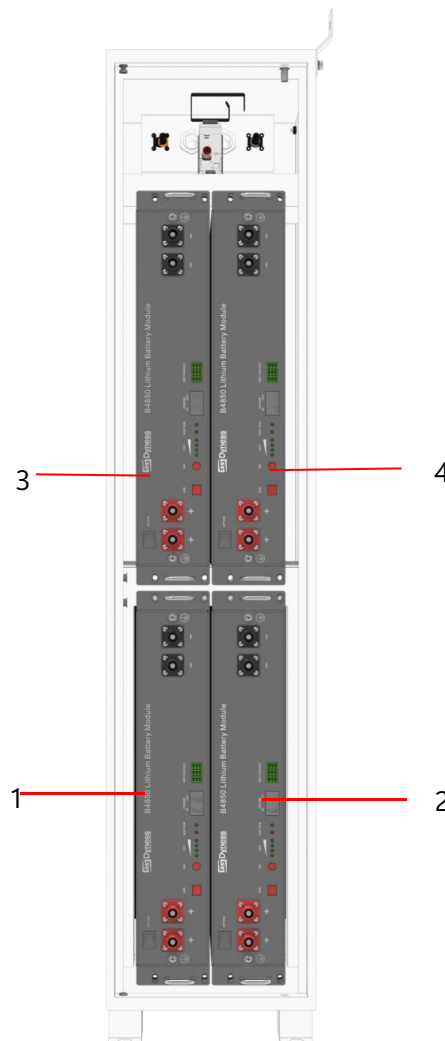


Step 5

Install and tighten M12 nuts, with the torque controlled at 10NM. Then lock the cabinet on the wall with an M6 expansion screw, with the torque controlled at 6NM respectively.

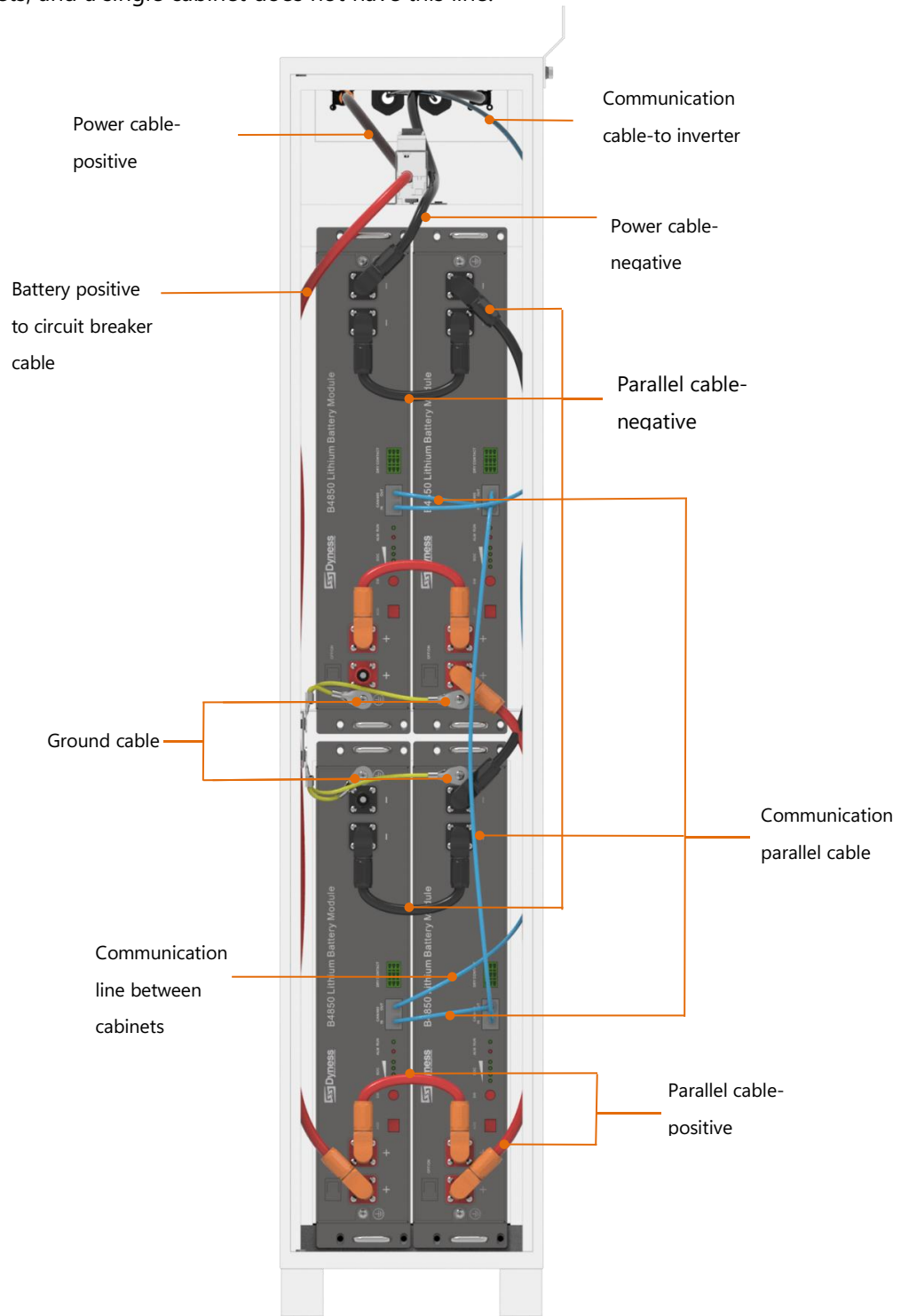
**Battery Module Installation**

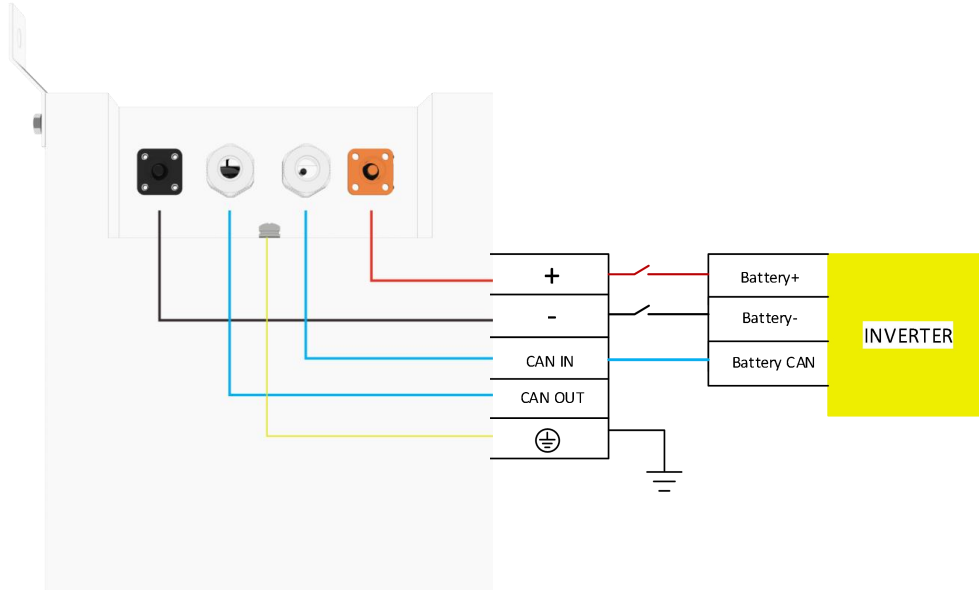
Open the cabinet door, install the battery modules into the cabinet in order from 1 to 4, as shown on the left., and lock them with M6 screws.



Electrical Installation

1. Connect the grounding cable as shown in the yellow line on the left.
2. The power cord is connected as shown on the left, in no particular order. Red is the positive connection and black is the negative connection.
3. Communication lines are connected as shown in the blue line on the left.
The communication line between cabinets is only needed when there are more than two cabinets, and a single cabinet does not have this line.





4. The battery must connect to the inverter using the offered and dedicated power and communication cables. As accessories are included in the shipment, the standard communication cable is a standard network cable. The applicable inverter model is marked on the label of the network cable. If the customer's inverter does not support the standard communication protocol, please kindly reach out to DYNESS for the PIN sequence.

- Keep the battery system in a "power-off state"; connect the power cable to the interface on the input side of the inverter first, then fasten the power cable to the interface on the battery side.
- The battery output interface is a quick connector, and the power cables (positive, negative) plug can be directly inserted into the battery socket directly. The power cable cross section is 25 mm².
- Establish the connection of the communication interface by connecting the CAN IN port of the battery to the inverter's CAN or RS485 communication interface using the RJ45 cable.



Discover Your Nature



Official Website



Digital version access

Dyness Digital Energy Technology Co., LTD.

www.dyness.com