

Sequencer

Chandeliers

YOUR PRODUCT CODE

SQ1-1-PC31-CLMT-35-0.1_10V_UNV-
IP20-CD03

DESCRIPTION

Sequencer is a modular system with both open and closed glass diffusers, available in several stunning powder coated finishes. Sequencer offers 1, 2 and 4 head configurations.

MATERIALS

Aluminum, Glass

PRODUCT DIMENSIONS

Sequencer 1 : 15"h x 7"d
Sequencer 2 : 15"h x 22"l
Sequencer 4 : 15"h x 54"l

PRODUCT WEIGHT

1 Head Assembly - 5lbs
2 Head Assembly - 12lbs
4 Head Assembly - 25lbs

PERFORMANCE

Open Matte Glass: 705 lumens / head
Closed Matte Glass: 596 lumens / head

PATENT FILE NUMBER

US: Filed Application

SUSPENSION

Cable Suspension
Minimum hang height 6"
Maximum hang height 72"
Round Deep Canopy (White)
Field trimmable

CERTIFICATION

UL Listed
UL Listed to Canadian safety standards.
Suitable for Damp Locations
IP20

LED LIFESPAN

50k hours

SPECIFICATION LOGIC

NUMBER OF LUMINAIRE HEADS

| | |
|---|---|
| 1 | 1 |
| 2 | 2 |
| 4 | 4 |

PRIMARY FINISH

| | |
|---------|------|
| Breccia | PC31 |
|---------|------|

GLASS FINISH

| | |
|--------------------|------|
| Closed Matte Glass | CLMT |
|--------------------|------|

COLOR TEMPERATURE

| | |
|-------|----|
| 2200K | 22 |
| 2700K | 27 |
| 3000K | 30 |
| 3500K | 35 |
| 4000K | 40 |

DIMMING / CONTROL / INPUT

| | |
|---|--------------|
| 0.1% Dimming, 0-10V Control, 120V or 277V Universal Input (Driver External) | 0.1_10V_UNV |
| 1% Dimming, 0-10V Control, 120V or 277V Universal Input (Driver External) | 1_10V_UNV |
| 1% Dimming, TRIAC / Forward Phase Control, 120V Input (Driver External) | 1_TRIAC_120V |
| Low Voltage (Driver required, driver not included) | LV |

IP RATING

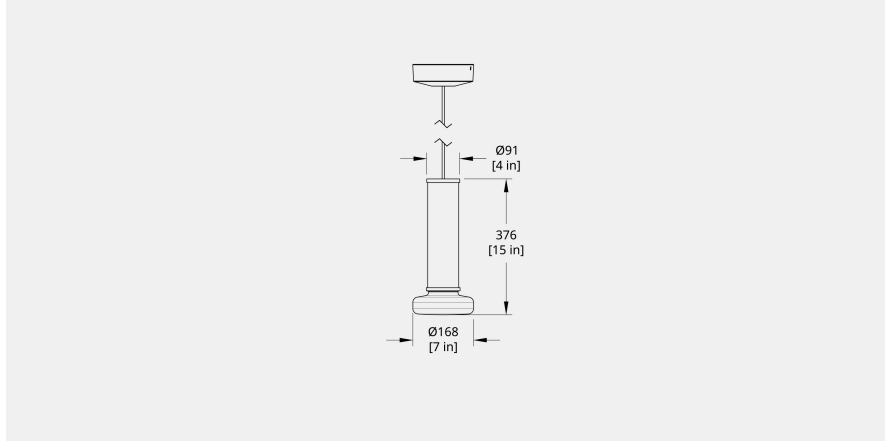
| | |
|------|------|
| IP20 | IP20 |
|------|------|

CANOPY

| | |
|------------|------|
| Deep Round | CD03 |
|------------|------|

DRAWINGS

Sequencer 1 Technical Drawing



Sequencer 2 Technical Drawing

Sequencer 4 Technical Drawing

ase
ept
kies
see
his
tent

