

**PERFORMANCE**

Small 774 lumens | 11.9W  
 Medium 923 lumens | 16W  
 Large 1085 lumens | 16.8W

**CERTIFICATION**

Suitable for Damp Locations

**LED LIFESPAN**

50k hours

**PATENT FILE NUMBER**

US: Patent pending. Filed and under review.

**SUSPENSION**

72" standard cord length  
 Field trimmable cord

**SPECIFICATION LOGIC**

**SIZE**

Large	L
Medium	M
Small	S

**DUAL FINISH**

Penny Vein / Glossy White	PC54_PC98
---------------------------	-----------

**GLOBE**

Matte PET	MTP
-----------	-----

**COLOR TEMPERATURE**

2200K (candle light)	22
2700K (warm white)	27
3000K (soft white)	30
3500K (neutral white)	35
4000K (cool white)	40

**DIMMING / CONTROL / INPUT**

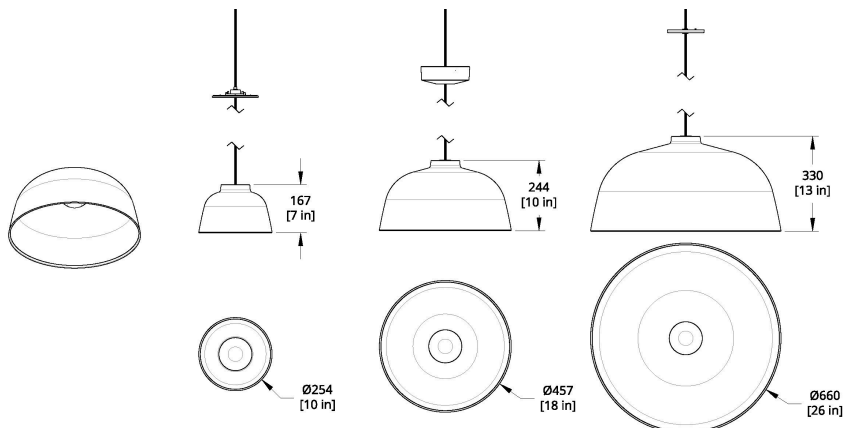
0.1% Dimming, 0-10V Control, 120V or 277V "Universal Input" (Driver External)	0.1_10V_UNV
1% Dimming, 0-10V Control, 120V or 277V "Universal Input" (Driver External)	1_10V_UNV
1% Dimming, TRIAC / Forward Phase Control, 120V Input (Driver External)	1_TRIAC_120V
Low Voltage (Driver required, driver not included)	LV

**CANOPY**

Deep Round	CN03
Mud-In	CN02
Flat	CN00

**DRAWINGS**

Dram Technical Drawings



# Dram

Pendants

**YOUR PRODUCT CODE**

DR-S-PC54\_PC98-MTP-22-  
 1\_TRIAC\_120V-CN00

**DESCRIPTION**

Have a Dram! Dram carries a clear silhouette and a bold sense of scale, offered in three intoxicating sizes. Building on the legacy of the iconic simple shaded Hoist collection, Dram expands the concept with dual finishes that highlight the meeting of color. Designed entirely by the RBW team, from concept to final form.

**MATERIALS**

Spun aluminum, PET

**PRODUCT DIMENSIONS**

Small 10 in dia x 7 in H | Medium 18 in dia x 10 in H | Large 26 in dia x 13 in H

**PRODUCT WEIGHT**

Small 6 lbs / 2.7kg | Medium 7 lbs / 3 kg | Large 8 lbs / 3.6 kg

ase  
 ept  
 kies  
 see  
 his  
 tent