



Solid wood table featuring an oval top, machined with a routed detail that defines a perimeter frame and a subtle recessed central section carved into the wood. The base is composed of three solid wood legs arranged orthogonally, creating a clean, sculptural structure.

CODE	SIZE	A1	A2
SUISEKI-TAV-WOOD 1	W.220 x D.120 x H.75	■	■
SUISEKI-TAV-WOOD 2	W.240 x D.120 x H.75	■	■
SUISEKI-TAV-WOOD 3	W.260 x D.120 x H.75	■	■
SUISEKI-TAV-WOOD 4	W.280 x D.120 x H.75	■	■

AVAILABLE FINISHES

A1: walnut without knots

A2: oak without knots, cherry

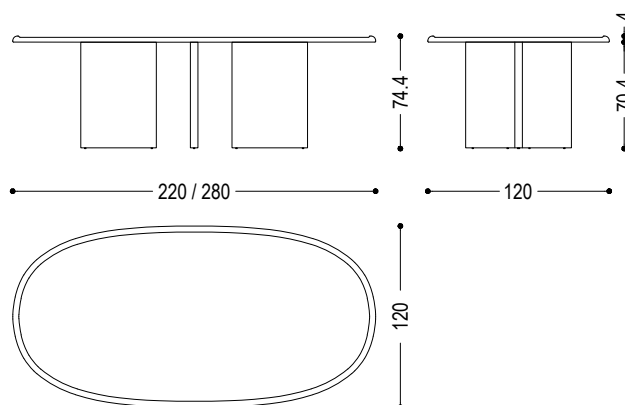




Table crafted from solid wood, featuring an oval top with a single-slab marble insert set within a solid wood perimeter frame. The base is composed of three solid wood legs arranged orthogonally, creating a clean, sculptural structure.

CODE	SIZE	TOP	A1	A2
SUISEKI-TAV-MARBLE 1	W.220 x D.120 x H.75	F1	■	■
		F2	■	■
SUISEKI-TAV-MARBLE 2	W.240 x D.120 x H.75	F1	■	■
		F2	■	■
SUISEKI-TAV-MARBLE 3	W.260 x D.120 x H.75	F1	■	■
		F2	■	■
SUISEKI-TAV-MARBLE 4	W.280 x D.120 x H.75	F1	■	■
		F2	■	■

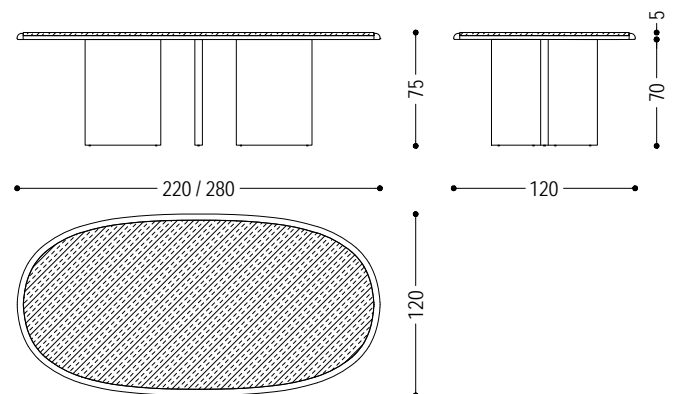
AVAILABLE FINISHES

A1: walnut without knots

A2: oak without knots, cherry

F1: verde alpi marble, carrara marble, emperador dark marble, sahara noir stoneware

F2: calacatta marble



SUISEKI TABLE | AVAILABLE FINISHES

WOOD

A1



walnut without knots

A2



oak without knots



cherry

OTHER MATERIALS

F1



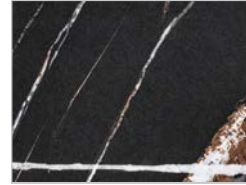
verde alpi marble



carrara marble



emperador dark marble



sahara noir stoneware

F2



calacatta marble