



Manufacturers' Rep Agency

Paul Stack

Preston Stack

Cell: 704-502-5882

Cell: 704-458-8589

PRODUCT CROSSOVER

Paul.Stack@FlowReps.com

Preston.Stack@FlowReps.com

Check website for latest updates: www.flowreps.com/epc

PG #	ANVIL	EMPIRE	EMPIRE CATEGORY (EMPIRE DESCRIPTION)	B-LINE	PHD	C&P
2	14	159	Clamps - Beam (Adj. Rod Beam Clamp)	B3040	635	
2	40	CALL	Clamps - Pipe (NOTE: load is carried by shear lugs welded to pipe)			
5	49	67	Concrete Inserts & Attachments (Concrete Clevis Plate)	B3086	904	
5	52	68	Concrete Inserts & Attachments (Concrete Rod Attachment)	B3085	903	
5	55	69	Structural Attachments (Structural Welding Lug)	B3080	936	216, 220
5	60	75	Structural Attachments (Steel Washer Plate)		930	260
3	65	110	Clevis Hangers (Light-Weight Clevis Hanger)	B3104	440	200
3	CT-65	110CT/110CTI	Clevis Hangers (Clevis Hanger for Copper Tube)	B3104CT	442	100CT
5	66	66	Structural Attachments (Weld Beam Attachment)	B3083	900-1	113A, 113B
3	67	10J	Clevis Hangers (J-Hanger)	B3690	970	
3		31	Loop/Split/Swivel Hangers (Band Hangers)	B3172	180/181	1A
3		31CT/31CTI	Loop/Split/Swivel Hangers (Band Hangers for Copper Tube)			
3		310	Loop/Split/Swivel Hangers (Emlok Adj. Swivel Ring Hgr)	B3170	151	
3	CT-69	310CT/310CTI	Loop/Split/Swivel Hangers (Emlok Adj. Swivel Ring Hgr for Copper Tube)	B3170CT	152	800CT
3	69	310NF	Loop/Split/Swivel Hangers (Emlok Adj. Swivel Ring Hgr for NFPA)	B3170NF	141	
3		310OD	Loop/Split/Swivel Hangers (Emlok Adj. Swivel Ring Hgr SS for OD Sizes)			
2	86	23L	Clamps - Beam (Malleable Iron C-Clamp with Locknut)	B3036L	270	196
2	88	23	Clamps - Beam (Malleable Iron C-Clamp)	B3036	270-1	
2	89	21R	Clamps - Beam (Retaining Strap)	B3362	259	22
2	89X	22R	Clamps - Beam (Retaining Strap)	3367	359	
2	(see 95)	21/21L	Clamps - Beam (Steel C-Clamp with/without Locknut)			
2		24L	Clamps - Beam (Purlin Clamp)			
2	92	62	Clamps - Beam (Small Mouth Beam Clamp)	B3031	350	192 (3/8-1/2)
2	93/94	61	Clamps - Beam (Wide Mouth Beam Clamp)	B3033	360	192W
2	95	21L	Clamps - Beam (Steel C-Clamp with Locknut))	B351L	250	47
2		136	Clamps - Beam (Right-Angle Clamp)			
2	100	97	Clamps - Pipe (Extended Pipe Clamp)	B3149	545	267
2		97DIP	Clamps - Pipe (Extended Pipe Clamp for Ductile Iron Pipe)			
2	103	95	Clamps - Pipe (Offset Pipe Clamp)	B3148	535	179
2		95DIP	Clamps - Pipe (Offset Pipe Clamp for Ductile Iron Pipe)			
5	110R	47	Hanger Rod Access. (Eye Socket)			
5	114	114	Hanger Rod Access. (Turnbuckle Adjuster)	B3224	44	38
3	120	37	U-Bolts (Light-Weight U-Bolt)	B3501	95	
2	CT-121	50CT/50CTI	Clamps - Pipe (Riser Clamp for Copper Tube)	B3373CT		
3	126	126	Straps (One Hole Pipe Clamp)		835	237
5	128R	41A	Brackets & Ceiling Plates (Hanger Flange Plate)	B3199	940/941	85
5	CT-128R	41ACT	Brackets & Ceiling Plates (Hanger Flange Plate for Copper Tube)	B3199CT	942	85CT
2	133/134	150	Clamps - Beam (Beam Clamp)	B3050-2/5	610/620	15
5	135E	51	Hanger Rod Access. (Rod Coupling)	B655	100	123
5	135R	51R	Hanger Rod Access. (Reducing Rod Coupling)	B656	105	123R
3	137	137	U-Bolts (Standard U-Bolt with 4 Hex Nuts)	B3188	90/91	283
3		137DIP	U-Bolts (Std. U-Bolt with 4 Hex Nuts for Ductile Iron Pipe)			
3	138R	41H	Loop/Split/Swivel Hangers (Hinged Split Ring Hanger)	B3198H	508R	
3	CT-138R	41HCT	Loop/Split/Swivel Hangers (Hinged Split Ring for Copper Tube)	B3198HCT	512H	
3		40HS	Loop/Split/Swivel Hangers ("Handy" Split Ring)			
3		41OD	Loop/Split/Swivel Hangers (Split Ring Extension Hanger for OD Sizes)			
5	140	57	Hanger Rod Access. (Hanger Rod)	B3205	15	133
5	142	55	Hanger Rod Access. (Hanger Bolt)	B3213	40	
5	146	54	Hanger Rod Access. (Continuous Threaded Rod)		20	94
5	157	157	Hanger Rod Access. (Extension Piece)	B3203	25	157
4	160	1900	Shields & Saddles (1" Pipe Covering Protect. Saddle)	B3160	651	351
4	161	1901	Shields & Saddles (1.5" Pipe Covering Protect. Saddle)	B3161	653	352
4	162	1902	Shields & Saddles (2" Pipe Covering Protect. Saddle)	B3162	654	
4	163	1903	Shields & Saddles (2.5" Pipe Covering Protect. Saddle)	B3163	655	
4	164	1904	Shields & Saddles (3" Pipe Covering Protect. Saddle)	B3164	656	
4	165	1905	Shields & Saddles (4" Pipe Covering Protect. Saddle)	B3165	658	
4	167	167	Shields & Saddles (Protect. Shield)	B3151	170	265P
4		167MSS	Shields & Saddles (MSS Protect. Shield)			
4		168	Shields & Saddles (Short Pipe Covering Protect. Shield)			

NOTE: Comparison Charts do not guarantee precise crossovers; review a data sheet from a specific mfg. on any product before ordering.)

180 Olcott Street, Manchester, CT 06040
 TF: 800-243-4844 • PH: 860-647-1431

Sales@EmpireIndustries.com
 Marketing through Distributors

Clamps – Beam

 <p>Fig. 21 Steel C-Clamp F: B/EG/P/SS/SX</p>	 <p>Fig. 22R Retaining Strap F: B/EG/P/SS/SX</p>	 <p>Fig. 23L MI C-Clamp Finish: B/EG/P</p>	 <p>Fig. 24L Purlin Clamp Finish: B/EG/P</p>	 <p>Fig. 61 Wide Mouth Beam Clamp Finish: B/EG/P</p>	 <p>Fig. 62 Sm. Mouth Beam Clamp F: B/EG/P/SS/SX</p>
 <p>Fig. 136 Right Angle Clamp Finish: HD/SX</p>	 <p>Fig. 150 Beam Clamp Finish: EG/SS/SX</p>	 <p>Fig. 155 Steel Beam Clamp F: B/EG/P/SS/SX</p>	 <p>Fig. 159 Adj. Rod Beam Clamp Finish: B/EG/P</p>	 <p>Fig. 218 MI Center Load Finish: B/EG/P</p>	 <p>Fig. 450 Heavy BC F: B/EG/HD/P/SS/SX</p>

Clamps – Pipe

 <p>Fig. 50 Std-Duty Riser AS/B/CEC/EG/HD/P/PC/PG/SS/SX Type: IPS/CTS/DIP</p>	 <p>Fig. 50H Heavy-Duty Riser Finish: AS/B/HD/P/SS/SX Type: IPS</p>	 <p>Fig. 95 Offset Pipe Clamp Finish: B/EG/HD/P/SS/SX Type: IPS/DIP</p>	 <p>Fig. 97 Extended Pipe Clamp Finish: B/EG/HD/P/SS/SX Type: IPS/DIP</p>
 <p>Fig. 212 Std-Duty Pipe Clamp Finish: AS/B/EG/HD/P/SS/SX Type: IPS/DIP</p>	 <p>Fig. 216 Heavy-Duty Pipe Clamp Finish: AS/B/EG/HD/P/SS/SX Type: IPS</p>	 <p>Fig. 189 Std-Duty Double Bolt Finish: AS/B/EG/HD/P/SS/SX Type: IPS</p>	 <p>Fig. 189H Heavy-Duty Double Bolt Finish: AS/B/EG/HD/P/SS/SX Type: IPS</p>

FINISHES: AS=Alloy Steel; B=Black (Plain Finish); CEC=Copper Epoxy Coated; CR=Chrome Plated; EG=Electro-Galvanized; HD=Hot Dip Galvanized; P=Plain (Black Finish); PC=Plastic Coated; PG=Pipe Gard; SB=Solid Brass; SS=304 SS; SX=316 SS
TYPES: IPS=Iron Pipe Size; CTS=Copper Tube Size; DIP=Ductile Iron Pipe; OD=Sanitary Tube

Clevis Hangers



Fig. 11
Adjustable Clevis

Finish: B/EG/HD/P/PG/SS/SX
Type: IPS/DIP



Fig. 110
Light-Duty Clevis

F: B/CEC/EG/P/PC
Type: IPS/CTS



Fig. 10J
J-Hanger
Finish: EG/SS/SX
Type: IPS



Fig. 11F
Flat Top Clevis
Finish: B/EG/HD/P/SS/SX
Type: IPS



Fig. 11V
V-Button Clevis

Finish: B/EG/HD/P/SS/SX
Type: IPS/DIP

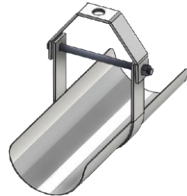


Fig. 11WS
Welded Shield
Finish: B/EG/P/SS/SX
Type: IPS



Fig. 11X
Extended Bottom Clevis
Finish: B/EG/HD/P/SS/SX
Type: IPS

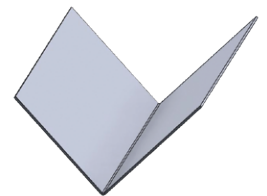


Fig. 12V
V-Channel
Finish: Pre-Galvanized
Type: IPS

Loop/Split/Swivel Hangers



Fig. 31
Band (or Loop)
B/CEC/EG/P/PC/SS/SX
Type: IPS/CTS



Fig. 40HS
"Handy" Split Ring
IPS/CTS
Type: IPS



Fig. 41
Split Ring
B/CEC/CR/EG/P/SB/SX
Type: IPS/CTS/OD



Fig. 310
Swivel Ring
B/CEC/EG/P/PC/PG/SS/SX
Type: IPS/CTS/OD



Fig. 310NF
Swivel Ring for NFPA
Finish: EG/PC
Type: IPS

U-Bolts & Straps



Fig. 137
Std-Duty U-Bolt
B/EG/HD/P/PC/PG/
SS/SX Type: IPS/DIP



Fig. 126
1-hole Pipe Clamp
Finish: EG
Type: IPS

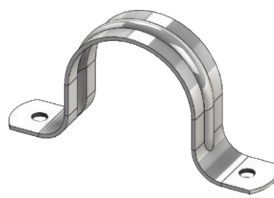


Fig. 231
2-hole Pipe Clamp
Finish: CEC/EG/SS/SX
Type: IPS/OD



Fig. 233
1-hole Pipe Strap
Finish: EG/SS/SX
Type: IPS/OD

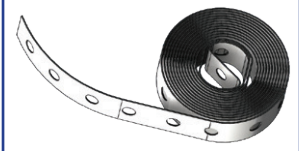


Fig. 239
Hanger Strap
Finish: B/CP/EG/P/SS
Type: IPS

FINISHES: AS=Alloy Steel; B=Black (Plain Finish); CEC=Copper Epoxy Coated; CR=Chrome Plated; EG=Electro-Galvanized; HD=Hot Dip Galvanized; P=Plain (Black Finish); PC=Plastic Coated; PG=Pipe Gard; SB=Solid Brass; SS=304 SS; SX=316 SS
TYPES: IPS=Iron Pipe Size; CTS=Copper Tube Size; DIP=Ductile Iron Pipe; OD=Sanitary Tube

Rollers



Fig. 272
Adj. Roller Hanger
F: B/EG/HD/P/SS/SX

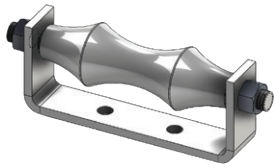


Fig. 275
Chair Roller
F: B/EG/HD/P/SS/SX



Fig. 277
Adj. 2 Rod Hanger
F: B/HD/P/SS/SX

Shields & Saddles



Fig. 167
Protection Shield
Finish: EG/SS/SX



Fig. 167MSS
MSS Shield
Finish: EG/SS/SX



Fig. 279S
Pipe Roller
F: B/HD/P/SS/SX



Spring Can Hangers & Supports
F: B/HD/P/SS/SX

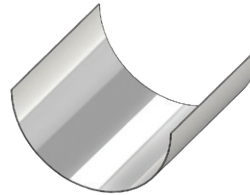


Fig. 168
Short Pipe Shield
Finish: EG/SS/SX



Fig. 1900-1905
Protection Saddle
F: B/EG/HD/P/SS/SX

Supports



Fig. 420
Pipe Saddle Support
Finish: B/EG/HD/P/SS/SX

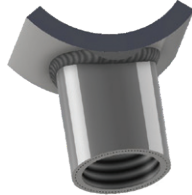


Fig. 421
Adj. Saddle w/Thrd Cplg
Finish: B/EG/HD/P/SS/SX



Fig. 422
Adj. Pipe Support
Finish: B/EG/HD/P/SS/SX

**Anchors & Slides
Guides & Uplifts**

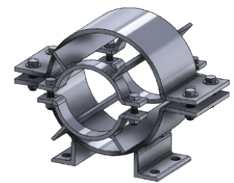


Fig. 255
Pipe Alignment
(Single Spider Clamp)

Fig. 256
Pipe Alignment
(Double Spider Clamp)
Finish: B/EG/HD/P/SS/SX



Fig. 425
Pipe Saddle Support w/U-Bolt
Finish: B/EG/HD/P/SS/SX



Fig. 426
Adj. Pipe Saddle Support
Finish: B/EG/HD/P/SS/SX



Fig. 427
Adj. Saddle w/U-Bolt
Finish: B/EG/HD/P/SS/SX



Fig. 4000
Pipe Tee

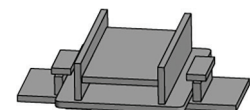


Fig. 4300
Pipe H
Finish: B/HD/P



Fig. 428KT
Adj. Pipe Saddle Support, Kit
Finish: HD/SS-SX




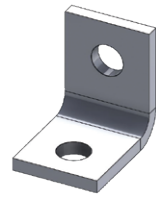
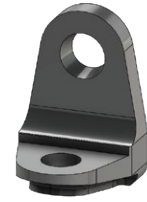



Fig. 429KTU
Saddle Support Kit w/U-Bolt
Finish: HD/SS-SX

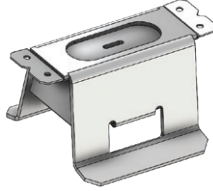
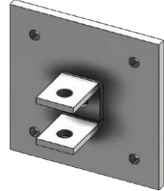
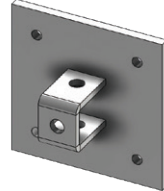


Fig. 430KTSF
Adj. Flange Support Kit
Finish: HD/SS-SX

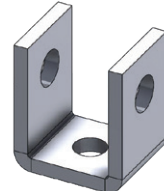

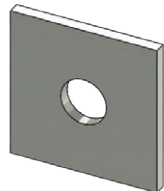
Brackets & Ceiling Plates

 <p>Fig. 820 Light Welded Bracket F: B/EG/HD/P/SS/SX</p>	 <p>Fig. 801 Medium Welded F: B/EG/HD/P/SS/SX</p>	 <p>Fig. 802 Heavy Welded F: B/EG/HD/P/SS/SX</p>	 <p>Fig. 53 Angle Bracket F: B/EG/HD/P/SS/SX</p>	 <p>Fig. 202 Side Beam Bracket Finish: B/EG/P</p>	 <p>Fig. 41A Hanger Flange Plate F: B/CEC/CR/ EG/P/SB/SS/SX</p>
----------------------------------------------------------------------------------------------------------------------------------------------------------	---------------------------------------------------------------------------------------------------------------------------------------------------	--------------------------------------------------------------------------------------------------------------------------------------------------	---------------------------------------------------------------------------------------------------------------------------------------------------	-----------------------------------------------------------------------------------------------------------------------------------------------------	-----------------------------------------------------------------------------------------------------------------------------------------------------------------------











Concrete Inserts & Attachments

 <p>Fig. 81 Concrete Insert Finish: B/EG/P</p>	 <p>Fig. 67 Concrete Clevis Plate F: B/EG/HD/P/SS/SX</p>	 <p>Fig. 68 Concrete Rod Attach. F: B/EG/HD/P/SS/SX</p>
------------------------------------------------------------------------------------------------------------------------------------------------	----------------------------------------------------------------------------------------------------------------------------------------------------------	---------------------------------------------------------------------------------------------------------------------------------------------------------

Structural Attachments

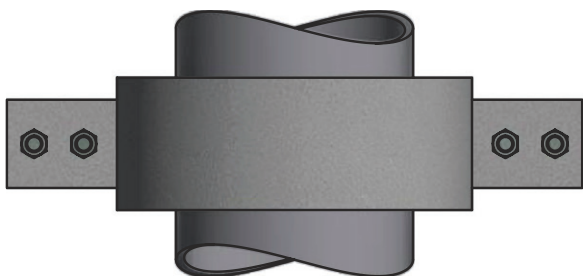
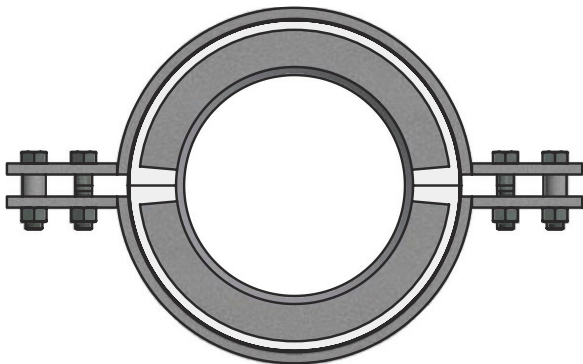
 <p>Fig. 66 Weld Beam Attach. F: B/EG/HD/P/SS/SX</p>	 <p>Fig. 69 Welding Lug F: B/EG/HD/P/SS/SX</p>	 <p>Fig. 75 Steel Washer Plate F: B/EG/P/SS/SX</p>
-------------------------------------------------------------------------------------------------------------------------------------------------------	--------------------------------------------------------------------------------------------------------------------------------------------------	------------------------------------------------------------------------------------------------------------------------------------------------------

Hanger Rod Accessories

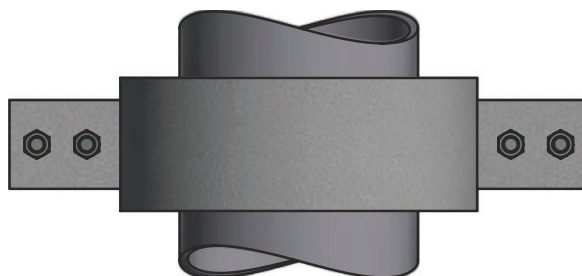
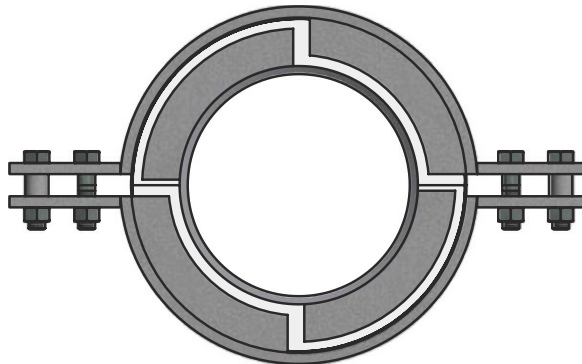
 <p>Fig. 13 Weldless Eye Nut F: B/HD/P/SS/SX</p>	 <p>Fig. 26 Eye Rod F: B/HD/P/SS/SX</p>	 <p>Fig. 47 Eye Socket Finish: B/EG/P</p>	 <p>Fig. 51 Rod Coupling Finish: B/EG/P/SS/SX</p>	 <p>Fig. 54 Continuous Threaded Rod F: B/HD/P/SS/SX</p>
 <p>Fig. 55 Hanger Bolt Finish: B/EG/P</p>	 <p>Fig. 57 Hanger Rod Finish: B/EG/P/SS/SX</p>	 <p>Fig. 157 Extension Piece Finish: B/EG/P</p>	 <p>Fig. 114 Turnbuckle Adjuster Finish: B/EG/P</p>	 <p>Fig. 320 Turnbuckle Finish: B/HD/P/SS/SX</p>

FINISHES: AS=Alloy Steel; B=Black (Plain Finish); CEC=Copper Epoxy Coated; CR=Chrome Plated; CP=Copper Plated; EG=Electro-Galvanized; HD=Hot Dip Galvanized; P=Plain (Black Finish); PC=Plastic Coated; PG=Pipe Gard; SB=Solid Brass; SS=304 SS; SX=316 SS
TYPES: IPS=Iron Pipe Size; CTS=Copper Tube Size; DIP=Ductile Iron Pipe; OD=Sanitary Tube

Pre-Insulated Pipe Riser Clamps

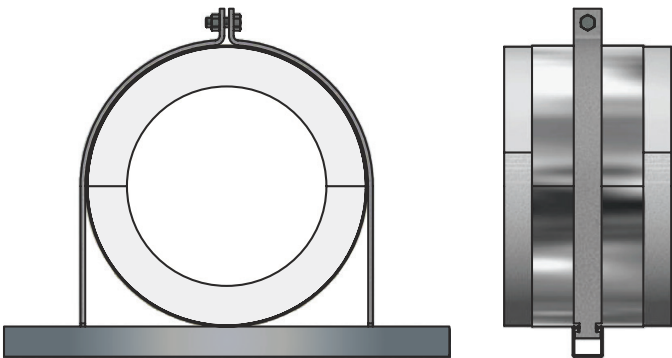


FOR DOWNWARD RISER LOADS

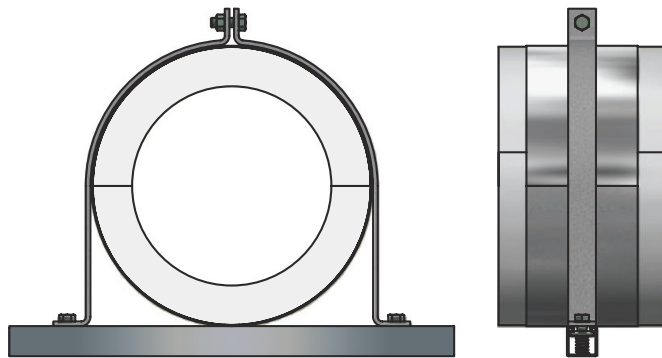


FOR UPWARD & DOWNWARD RISER LOADS

Pre-Insulated Strut Clamps

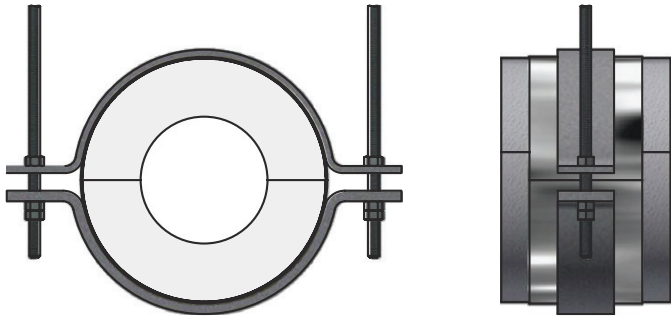


HOLDDOWN STRUT CLAMP

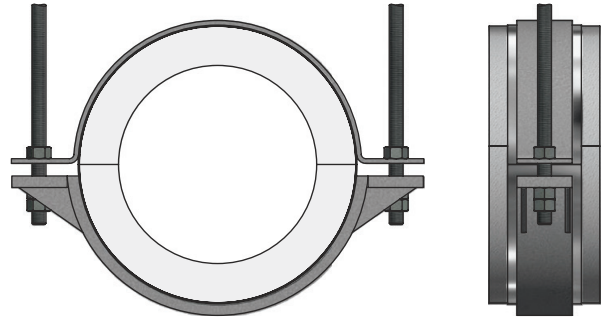


GUIDED STRUT CLAMP

Pre-Insulated Pipe Hangers – Two Rod Hangers

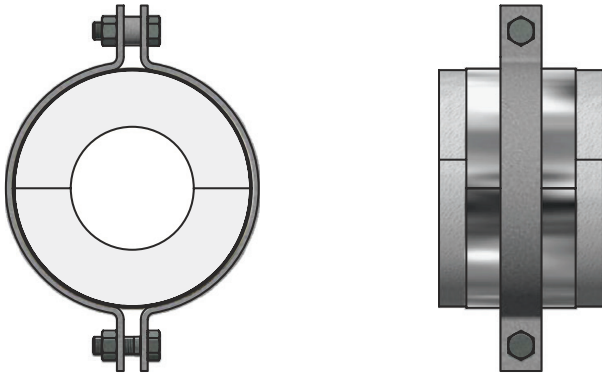


VERTICAL LOAD = LIGHT DUTY

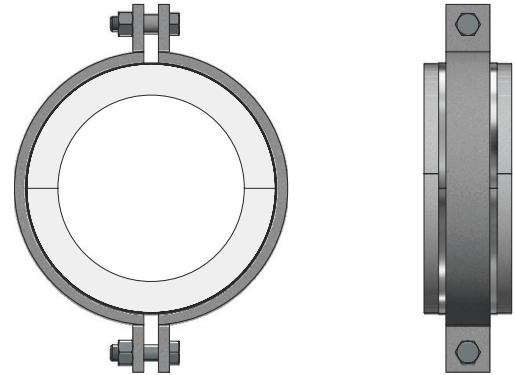


VERTICAL LOAD = HEAVY DUTY

Pre-Insulated Pipe Clamps – Two Bolt Clamps

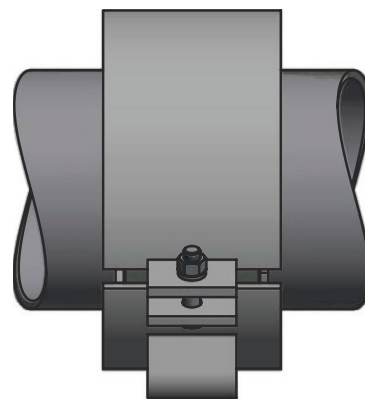
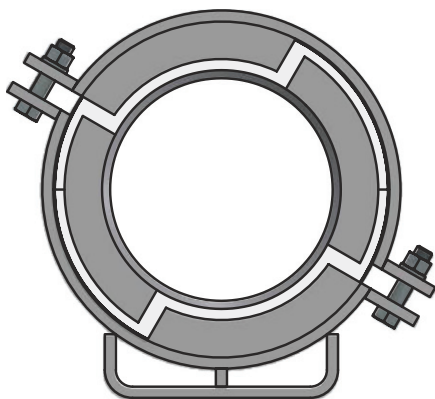


VERTICAL LOAD = LIGHT DUTY



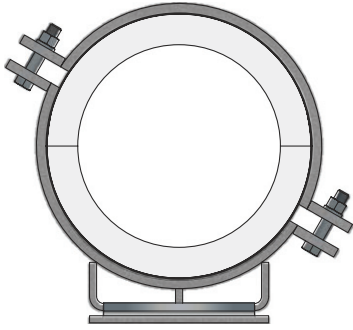
VERTICAL LOAD = HEAVY DUTY

Pre-Insulated Pipe Anchors

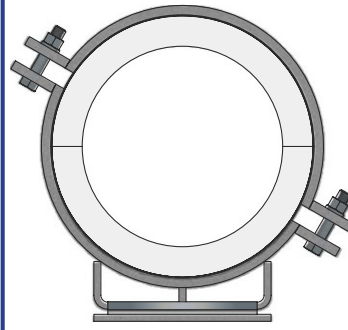


FOR AXIAL AND VERTICAL LOADS

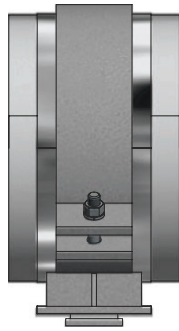
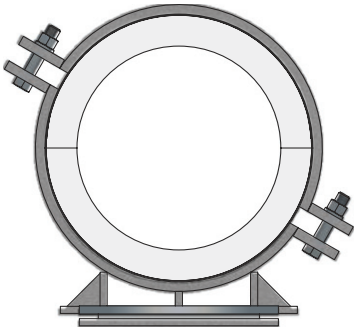
Pre-Insulated Pipe Slides



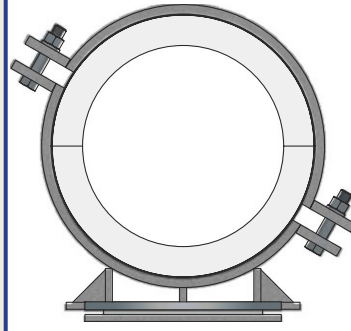
**SINGLE CLAMP AXIAL &
LATERAL MOVEMENT = +/- 1-1/2"**



**DOUBLE CLAMP AXIAL &
LATERAL MOVEMENT = +/- 4-1/2"**

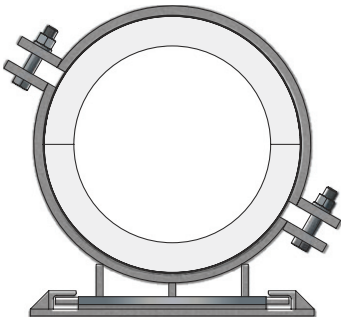


**SINGLE CLAMP = +/- 1-1/2"
AXIAL MOVEMENT - WITH GUIDES**

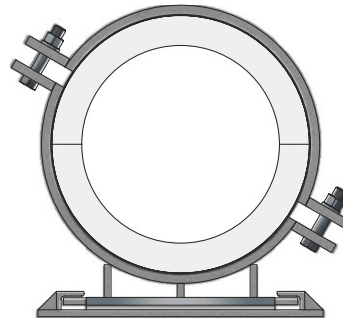


**DOUBLE CLAMP = +/- 4-1/2"
AXIAL MOVEMENT - WITH GUIDES**

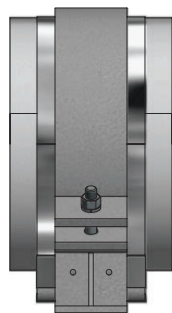
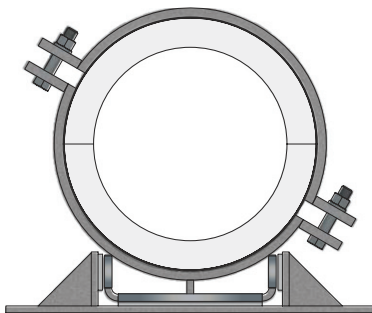
Pre-Insulated Pipe Guides & Uplifts



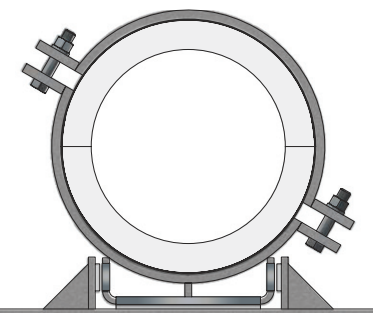
**SINGLE CLAMP = +/- 1-1/2" AXIAL MOVEMENT
LATERAL GUIDE - LIGHT DUTY**



**DOUBLE CLAMP = +/- 4-1/2" AXIAL MOVEMENT
LATERAL GUIDE - LIGHT DUTY**

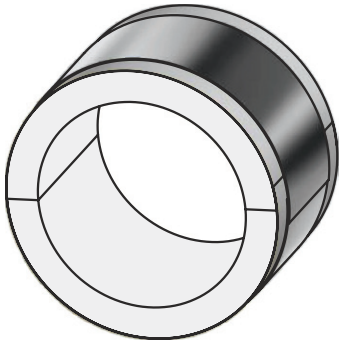


**SINGLE CLAMP = +/- 1-1/2" AXIAL MOVEMENT
LATERAL GUIDE - HEAVY DUTY**

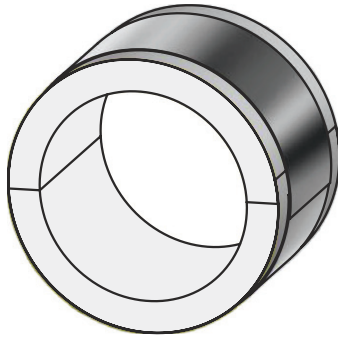


**DOUBLE CLAMP = +/- 4-1/2" AXIAL MOVEMENT
LATERAL GUIDE - HEAVY DUTY**

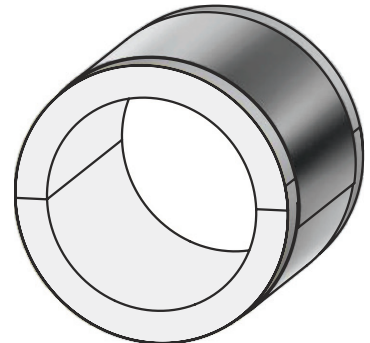
Thermal Shields



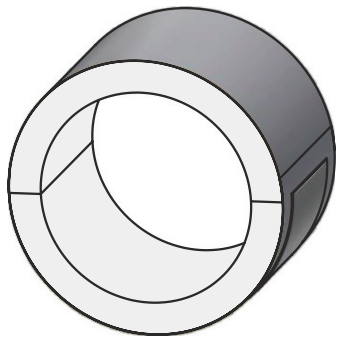
PRO-SHIELD



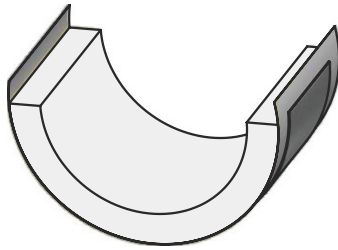
CHILL-SHIELD



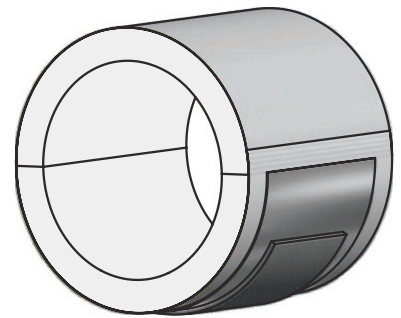
MAXSPAN



PRO-SHIELD N.T.



QUIK-SHIELD



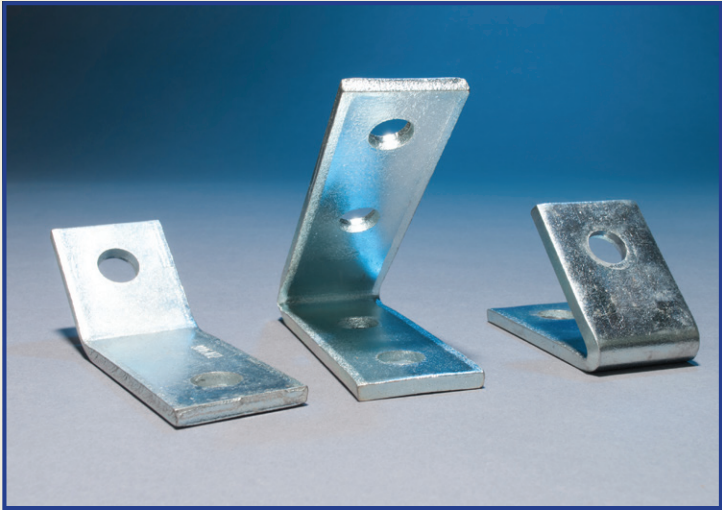
MAXSPAN R.H.

WITH TOP PROTECTION SHIELD

WITHOUT TOP PROTECTION SHIELD

Rooftop Support Blocks

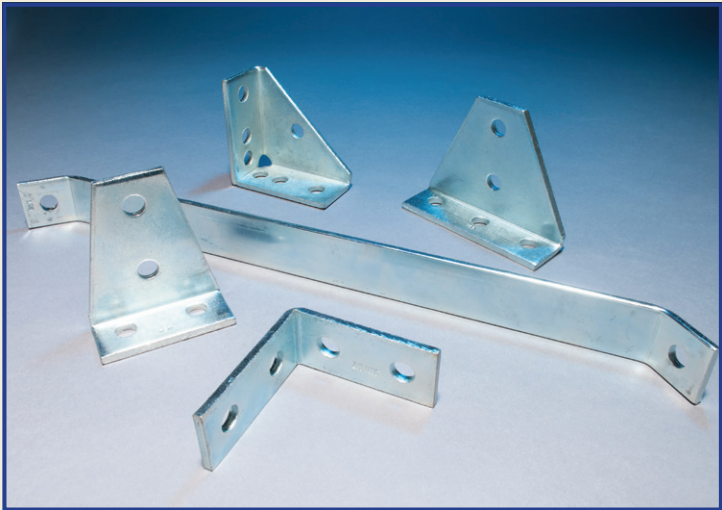




Empire Angle Fittings



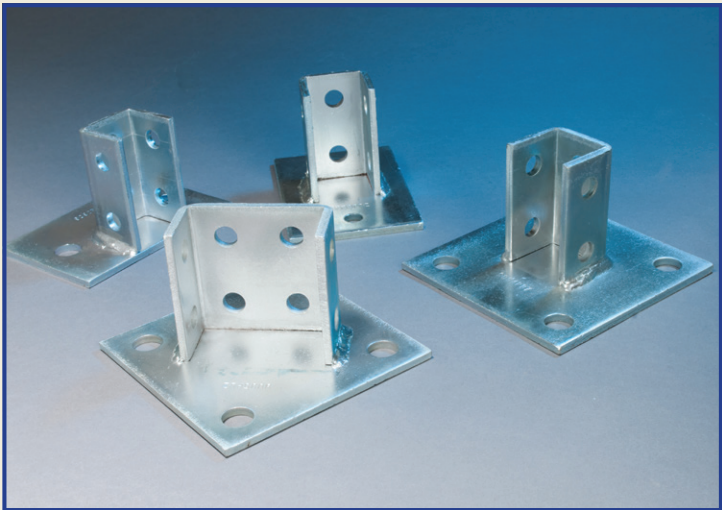
Empire, Conduit and Cushion Clamps



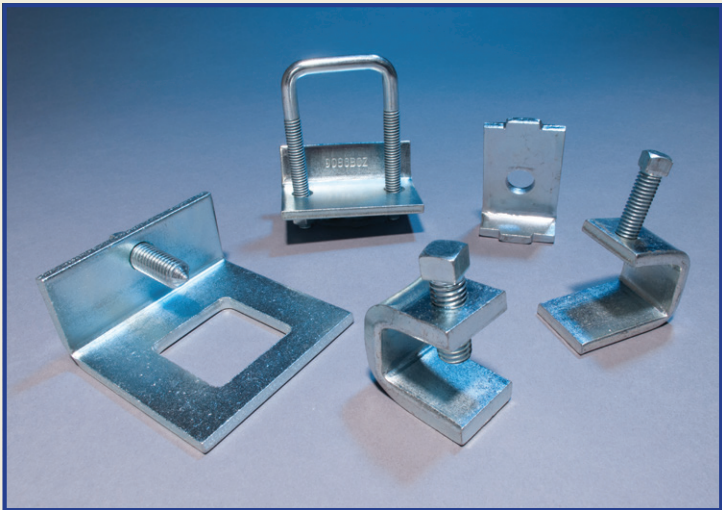
Empire Corner Fittings



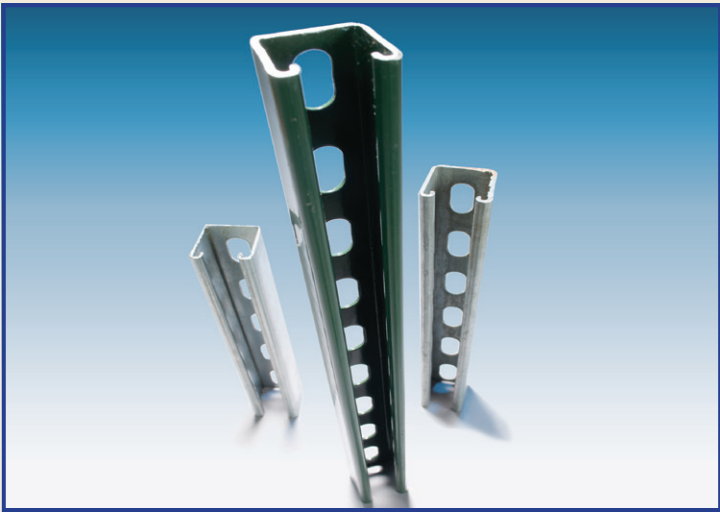
Empire Flat Fittings



Empire Post Bases



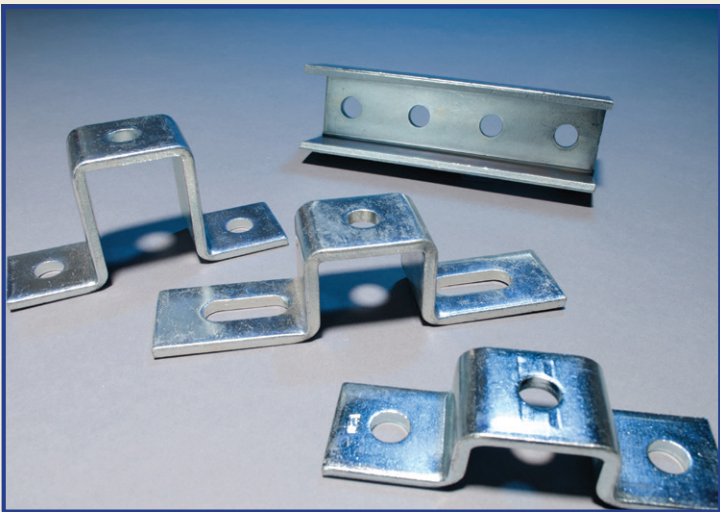
Empire Strut Beam Clamps



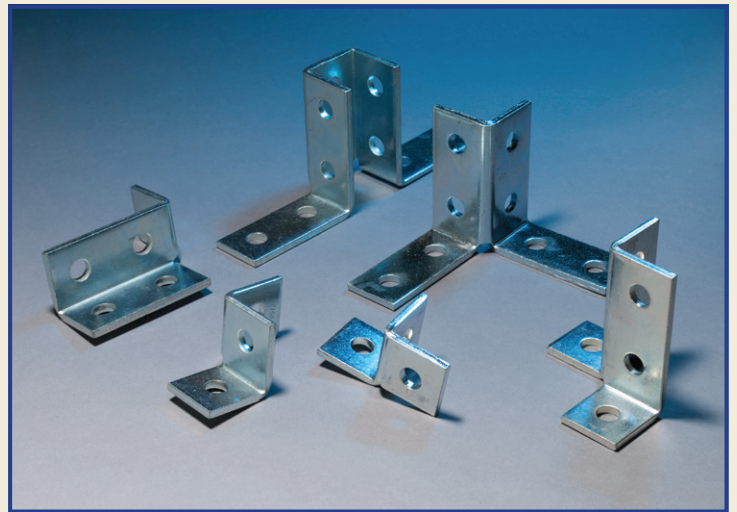
Empire Strut Channel



Empire Strut Nuts



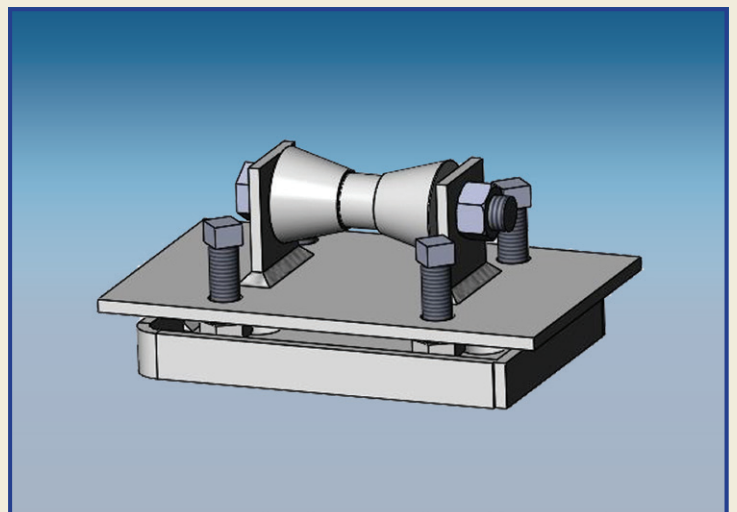
Empire U Fittings



Empire Wing Fittings



Empire Z Fittings



Strut Roller Support

PRODUCT CROSSOVER

PG #	ANVIL	EMPIRE	EMPIRE CATEGORY (EMPIRE DESCRIPTION)	B-LINE	PHD	C&P
4	171	277	Rollers (Adj. Two Rod Roller Hanger)	B3114	490	142
4	175	275	Rollers (Roller Chair)	B3120	460	54
4	181	272	Rollers (Adj. Roller Hanger)	B3110	470	140
4		9650	Rollers (Strut Roller Support)			
4	192	422	Supports (Adj. Pipe Support)	B3096		
5	194	820	Brackets & Ceiling Plates (Light Welded Bracket)	B3063	850	49, 69, 150
5	195	801	Brackets & Ceiling Plates (Medium Welded Bracket)	B3066	855	
5	199	802	Brackets & Ceiling Plates (Heavy Welded Bracket)	B3067	860	
5	202	202	Brackets & Ceiling Plates (Side Beam Bracket)	B3062		337
5	206	53	Brackets & Ceiling Plates (Angle Bracket)	B3060	920	303
2	212	212	Clamps - Pipe (Standard Steel Pipe Clamp)	B3140	520/521	175
2		212DIP	Clamps - Pipe (Steel Pipe Clamp for Ductile Iron Pipe)			
2		216	Clamps - Pipe (Heavy Duty Two Bolt Pipe Clamp)	B3142	522	298
2		150	Clamps - Beam (Beam Clamp)	B3050-2	610	15, 702
2		155	Clamps - Beam (Steel Beam Clamp)	B3055	625	268
2	217	156	Clamps - Beam (Steel Beam Clamp)	B3045		
2	218	218	Clamps - Beam (Mall. Iron, Center-Load, Beam Clamp)	B3054	630	
2	218 & 157	229	Clamps - Beam (Ml, Center-Load, Beam Clamp w/Ext Pc)			
2	228	450	Clamps - Beam (Universal Forged Steel Beam - UFS)			
5	230	320	Hanger Rod Access. (Turnbuckle)	B3202	960	132
3	243/244	CALL	Pipe Straps			
3		231	U-Bolts & Straps (Two Hole Pipe Strap)		825	72
3		231OD	U-Bolts & Straps (Two Hole Pipe Strap for OD Sizes)			
3		233	U-Bolts & Straps (One Hole Pipe Strap)			
3		233OD	U-Bolts & Straps (One Hole Pipe Strap for OD Sizes)			
3		239	U-Bolts & Straps (Hanger Strap, Perforated)			
3		239CT	U-Bolts & Straps (Hanger Strap, Perforated for Copper Tube)			111CT
5	248	26	Hanger Rod Access. (Eye Rod)	B3210	50	33
5	253	57	Hanger Rod Access. (Hanger Rod)	B3205L	15-L	133
4	255	255	Anchors/Guides/Slides/Uplifts (Pipe Alignment Guide, Single Spider Clamp)	B3281-B3287-3	670-8	1007S, R, L
4	256	256	Anchors/Guides/Slides/Uplifts (Pipe Alignment Guide, Double Spider Clamp)	B3281-B3287-3		
4	257A	4000	Anchors/Guides/Slides/Uplifts (Pipe Slide Tee)	B3891		
4		420	Supports (Pipe Saddle Support)			136
4		421	Supports (Adj. Pipe Saddle Support w/Threaded Coupling)	B3095	870	247
4	259	425	Supports (Pipe Saddle Support with U-Bolt)	B3090	882	
4		428KT	Supports (Adj. Pipe Saddle Support, Kit)			
4		429KT	Supports (Adj. Pipe Saddle Support with U-Bolt, Kit)			
4		430KTSF	Supports (Adj. Pipe Flange Support, Kit)			
4		431KT	Supports (Adj. Bolt On Flange Support, Kit)			
3	260	11	Clevis Hangers (Adj., Std-Duty, Clevis Hanger)	B3100	450	100
3	(see 590)	11DIP	Clevis Hangers (Clevis Hanger for Ductile Iron Pipe)	B3102	420	100CI
3		11DIPSS	Clevis Hangers (SS Clevis Hanger for Ductile Iron Pipe)			
3		11F	Clevis Hangers (Clevis Hanger with Flat Top)	B3109		
3		11V	Clevis Hangers (Clevis Hanger with V-Bottom)		450V	
3		11WS	Clevis Hangers (Clevis Hanger with Welded Shield)			100ASH
3	(see 300)	11X	Clevis Hangers (Clevis Hanger with Extended Bottom)	B3108	430	100EL
3		12V	Clevis Hangers (V-Channel)	B3106V		
2	261	50	Clamps - Pipe (Standard Riser Clamp)	B3373	550, 551	126
2	(See CT-121)	50CT/50CTI	Clamps - Pipe (Riser Clamp for Copper Tube)	B3373CT		
2		50DIP	Clamps - Pipe (Riser Clamp for Ductile Iron Pipe)			
2		50H	Clamps - Pipe (Heavy Duty Riser Clamp)			
2		50SA	Clamps - Pipe (Short Arm Riser Clamp)			
3	262	180	U-Bolts & Straps (Short Clip)	B3180	830	
4	264	426	Supports - Pipe (Adj. Pipe Saddle Support)	B3093	875	101
4	265	427	Supports - Pipe (Adj. Pipe Saddle Support with U-Bolt)		876	
4	271	279S	Rollers (Pipe Roll Stand)	B3117SL	486	39
4	274W/P	280S	Rollers (Adj. Pipe Roll Stand)	B3118SL	487	40
5	278	26W	Hanger Rod Access. (Eye Rod, Welded)	B3211	55	93
5	281	81	Concrete Inserts & Attachments (Concrete Insert)	B2502-B2508-3		75, 650
5	282	CALL	Universal Concrete Insert			
5	290/290L	13/13L	Hanger Rod Access. (Weldless Eyenut/Weldless Eyenut Left)	B3200/L	35/35L	279
2	292	450	Clamps - Beam (Heavy Beam Clamp)	B3291-B3298		297
2	292L	450L	Clamps - Beam (Heavy Beam Clamp, Left)			
2	295	189	Clamps - Pipe (Double Bolt Pipe Clamp)	B3144	525	304
2	295H	189H	Clamps - Pipe (Heavy Duty Double Bolt Pipe Clamp)	B3146	525H	
5	299	909	Hanger Rod Access. (Forged Steel, Clevis)	B3201	38	216, 276
2	300	11X	Clevis Hangers (Clevis Hanger with Extended Bottom)	B3108	430	100EL
2	590	11DIP	Clevis Hangers (Clevis Hanger for Ductile Iron Pipe)	B3102	420	100CI
2	590SS	11DIPSS	Clevis Hangers (SS Clevis Hanger for Ductile Iron Pipe)			
	595	595	Socket Clamps (Four Bolt Socket Clamp)	B3134	590	
	599	599	Socket Clamps (Socket Clamp Washer)	B3132W-2	585	
	600	600DIP	Socket Clamps (Socket Clamps for Ductile Iron Pipe)	B3132	580	
		DPCSS	Clamps - Pipe (Manhole Drop Pipe Clamp)			
		50s-80s	Fasteners-Washers, Hex Nuts, Hex Head Bolts, Spring Wing Toggles			
		8200	Pipe/Conduit/Cushion Clamps (Rigid IPS Strut Clamp Assembled)			
		8500	Pipe/Conduit/Cushion Clamps (Cushion Strut Clamp)			

NOTE: Comparison Charts do not guarantee precise crossovers; review a data sheet from a specific mfg. on any product before ordering.

180 Olcott Street, Manchester, CT 06040
TF: 800-243-4844 • PH: 860-647-1431

Sales@EmpireIndustries.com
Marketing through Distributors