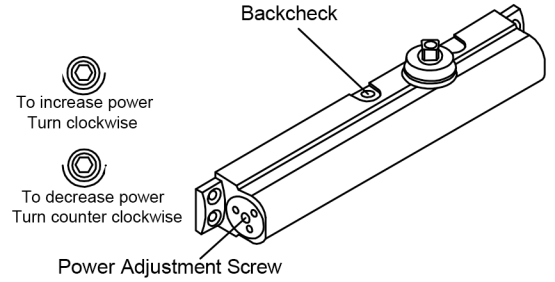
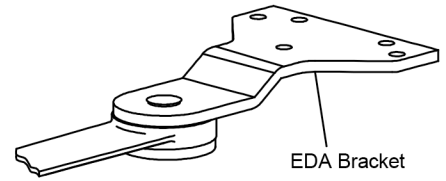
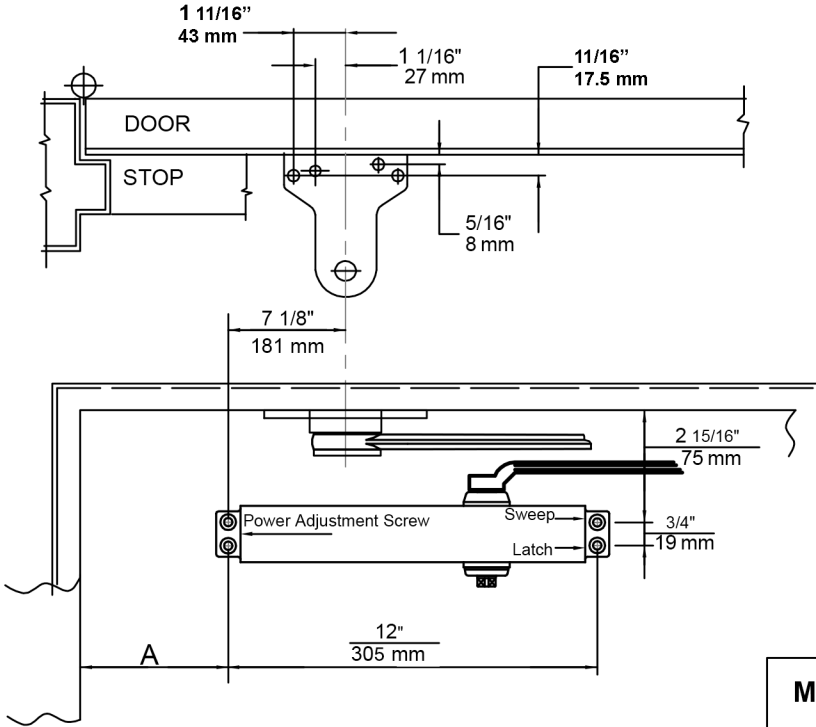


PUSH SIDE MOUNTING

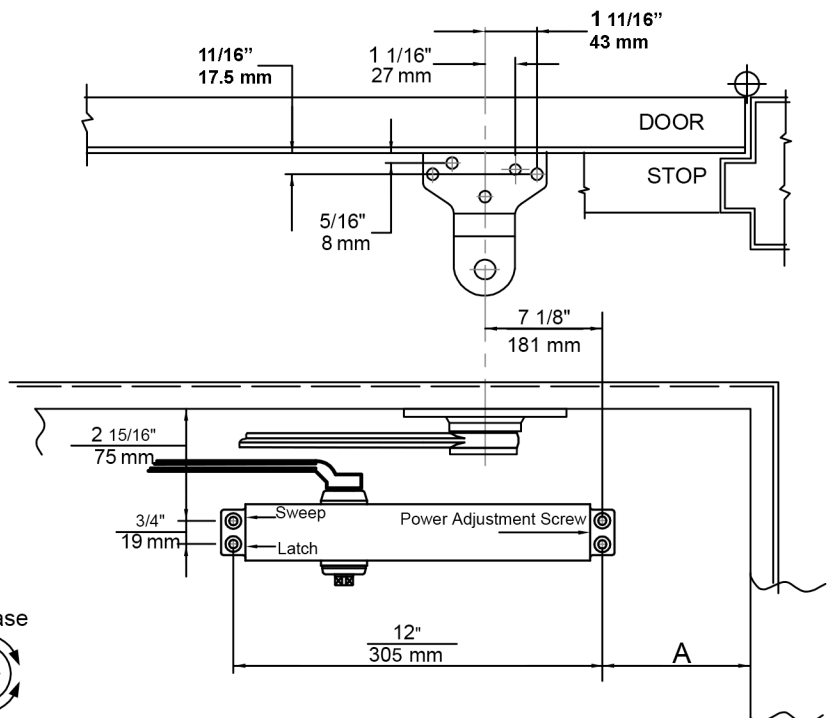
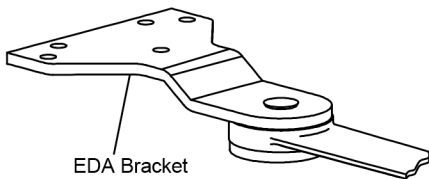
LEFT HAND DOOR SHOWN



MODEL NO.	OPENING	DIMENSION
		A
TDC 85-EDA	To 100°	3 1/2" (89 mm)
	To 140°	1 1/4" (32 mm)

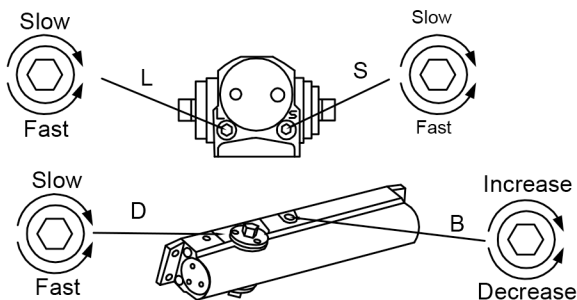
PUSH SIDE MOUNTING

RIGHT HAND DOOR SHOWN



DOOR CLOSER ADJUSTMENT

- L: LATCH SPEED VALVE
- S: SWEEP SPEED VALVE
- D: DELAY SPEED VALVE (OPTIONAL)
- B: BACKCHECK VALVE



INSTALLATION SEQUENCE

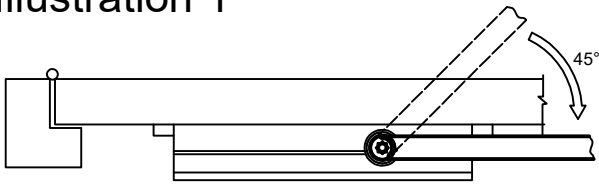
LEFT HAND DOOR SHOWN- RIGHT HAND DOOR OPPOSITE



CAUTION

IMPROPER INSTALLATION OR REGULATION
MAY RESULT IN PERSONAL INJURY OR
PROPERTY DAMAGE. FOLLOW ALL
INSTRUCTIONS CAREFULLY.

Illustration 1



INSTALLATION:

1. Use dimensions shown above, mark 4 holes on door for door closer body and 4 holes on frame for EDA bracket. Drill holes as required.
2. Mount closer on door using screws provided, Latch and Sweep Speed Adjusting valves must be positioned away from hinge side.
3. Mount EDA bracket on door frame.
4. Use a wrench or extra arm to turn the bottom end shaft $\sim 45^\circ$ and put the main arm on the upper end shaft. Make sure the main arm is parallel with the door- See Illustration 1.
5. Adjust Sweep and Latching speeds- normal closing time from 90° open position is 5 to 7 seconds evenly divided between Sweep and Latch Speed. Adjust the SWEEP speed first, then adjust the LATCH speed.
6. Put on the cover and secure with screws provided- See Illustration 2.

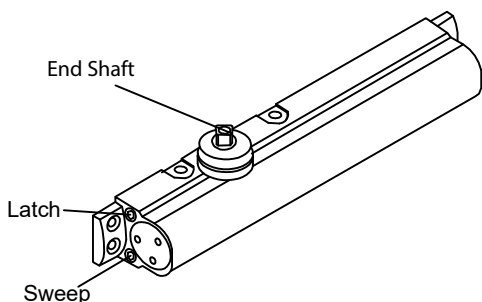
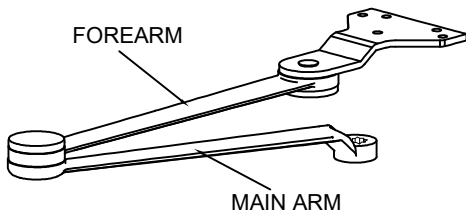


Illustration 2

