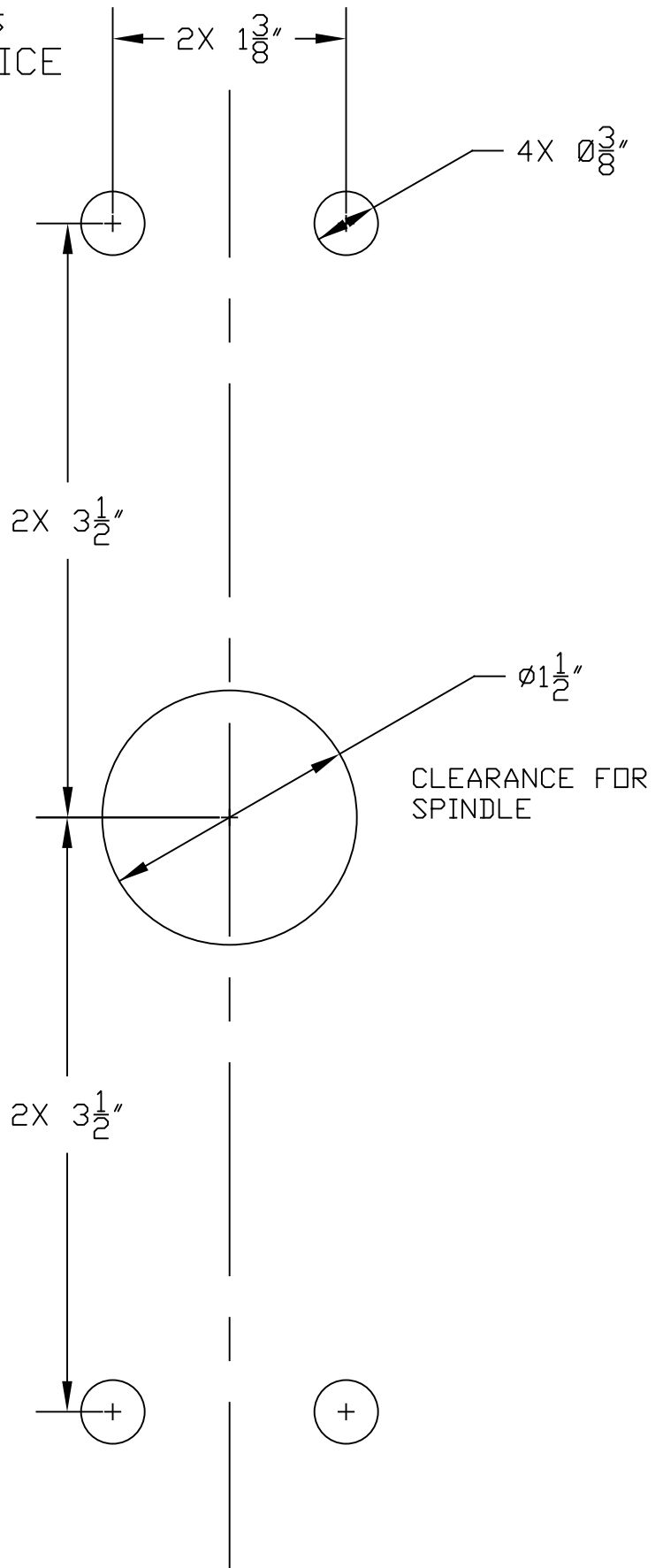


TEMPLATE FOR e-Kestros MECHANICAL TRIM, EXIT DEVICE

SEE EXIT DEVICE
TEMPLATE FOR
BACKSET AND STRIKE
INFORMATION



RESPONSIBILITY

Door and Frame Manufacturers are responsible for providing adequate construction or reinforcements for proper installation of hardware shown. All architectural builders hardware must be installed on properly reinforced doors and frames, regardless of the type, material, or method of construction.

TEMPLATE SCALE IS 1:1 IF THIS MEASURES 1":