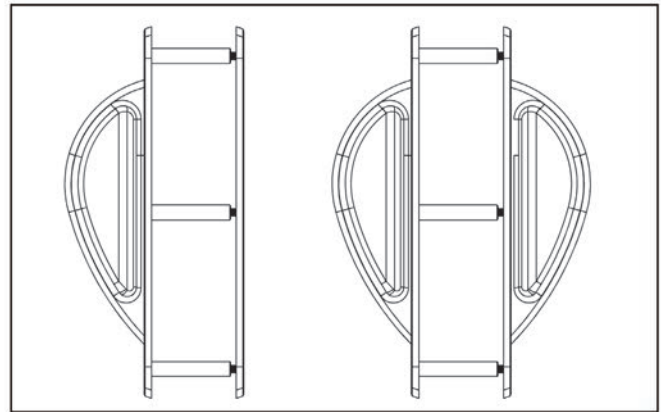


MRX-A Ligature Resistant Pull



Specifications

- For facilities housing patients at risk
- 0.158" gauge stainless steel plate, Type 304, 3" (W) x 7-3/4"(H)
- 5 point ligature resistant stainless steel arch lever
- Through-bolt mounting
- For wood or hollow metal doors, 1-3/4" thick
- 8-32 tamper resistant stainless steel mounting screws
- 630 (US32D) finish
- Pair or single pull
- 10-year limited warranty

Code Compliance

- BAA: Meets requirements of the Buy American Act
- ADA: Meets requirements of the Americans with Disabilities Act



How to Order:	
Trim	MRX-A Ligature Resistant Pull
Function	F41 (Single Dummy) F72 (Back to back Double Dummy)

Example Order: MRX-A-72