



Exit Device Trims

TOWNSTEEL EXIT DEVICE TRIMS



The TownSteel Promise

We have built our company around the promise of creating durable hardware solutions for your projects. Our complete product line is the result of decades of determined engineering. This allows TownSteel to provide you with the right product to meet your exacting specifications. With end-to-end customer support, you will find that TownSteel is the ideal company for you to partner with. Check us out at townsteel.com for more information!

TownSteel Exit Device Trims are designed for new or retrofit installation into TownSteel's and other manufacturers' devices. Pair our trims seamlessly with a variety of exit devices,

Exit Device Trims



Cover and Table of Contents features e-Kestros 6000 1B with cylinder and Sentinel lever in 626 finish.

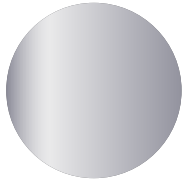
CONTENTS	PAGE
ED200 Series	4
ED300 Series	11
ED8900L	18
ED8900P1	23
ED8900P2	28
ED8900P3	33
ED8900PT	38
ED8900NE	43
ED8900NP	48
Aegis ESG	53
MKS Mechanical	62
KES Mechanical	69
KES Electrified	77
EKE Electronic 2000	86
EKE Electronic 4000	94
EKE Electronic 5000	102
EKE Electronic 6000	110
EKE Electronic 7000	118
ED-MRX-A	126
ED-CRXA	131



ED200 Series

THUMBPIECE TRIM FOR 1000 SERIES EXIT DEVICES

Finishes



Satin Stainless Steel

(630)

Other finishes available upon request





Finishes are for illustration only and may vary
from actual product provided

Dimensions






ED200, GD type grip shown

Functions

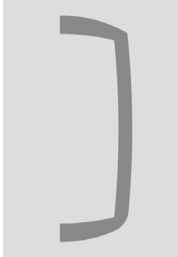
Illustration	Series / Function	Type	ANSI No.	Device Number	Cylinder Type
	ED201	Exit Only	01	1100 1200 1300 1400 1500	
	ED202	Dummy Trim	02	1100 1200 1300 1400 1500	
	ED203R	Night Latch, Key Retracts Latchbolt	03	1100 1200 1300 1500	Rim
	ED203M	Night Latch, Key Retracts Latchbolt	03	1400	Mortise
	ED205R	Key Locks or Unlocks Latch Bolt	05	1100 1200 1300 1500	Rim

Functions

Illustration	Series / Function	Type	ANSI No.	Device No.	Cylinder Type
	ED205M	Key Locks or Unlocks Latch Bolt	05 / 07*	1400	Mortise *Double Cylinder
	ED215R	Thumbpiece Always Active, No Cylinder	15	1100 1200 1300 1500	
	ED215M	Thumbpiece Always Active, No Cylinder	15	1400	

Trim Options

200 Series Grip Options



GD type
(Standard)

How to Order

ED200 Thumbpiece Trim

Trim Type

See Functions on page 7

200 Series thumbpiece trim

Finish

630

Satin Stainless Steel

Pick one item from each category when ordering.

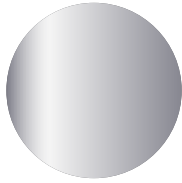
Example order: ED203R-630



ED300 Series

ESCUTCHEON TRIM FOR 1000 SERIES EXIT DEVICES

Finishes



Satin Chrome
(626)

Other finishes available upon request






Finishes are for illustration only and may vary
from actual product provided

Dimensions





ED300, D type lever shown

Functions

Illustration	Series / Function	Type	ANSI No.	Device Number	Cylinder Type
	ED302	Dummy Pull Only	02	1100 1200 1300 1400 1500	
	ED308R	Key Locks or Unlocks Latch Bolt	08 / 10*	1100 1200 1300 1500	Mortise *Double Cylinder
	ED308M	Key Locks or Unlocks Latch Bolt	08 / 10*	1400	Mortise *Double Cylinder
	ED309R	Night Latch, Key Retracts Latchbolt	09	1100 1200 1300 1500	Rim
	ED309M	Night Latch, Key Retracts Latchbolt	09	1400	Mortise

*Double Cylinder

Functions

Illustration	Series / Function	Type	ANSI No.	Device Number	Cylinder Type
	ED314R	Lever/Knob Always Active, No Cylinder	14	1100 1200 1300 1500	
	ED314M	Lever/Knob Always Active, No Cylinder	14	1400	

Trim Options

300 Series Lever Options



D type
(Standard)



Q type



A type



K type

How to Order

ED300 Escutcheon Trim

Trim Type

See Functions on page 14

300 Series escutcheon trim

Lever Type

[Leave Blank]

D type lever

Q

Q type lever

A

A type lever

K

K type lever

Trim Operation

[Leave Blank]

Standard, rigid operation

C

Optional, clutched operation

Finish

626

Satin Chrome

Pick one item from each category when ordering.

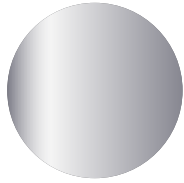
Example order: ED308R-Q-626



ED8900L

SECTIONAL LEVER TRIM FOR 8900/9700 SERIES EXIT DEVICES

Finishes

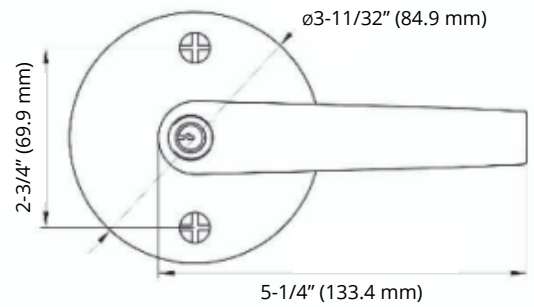
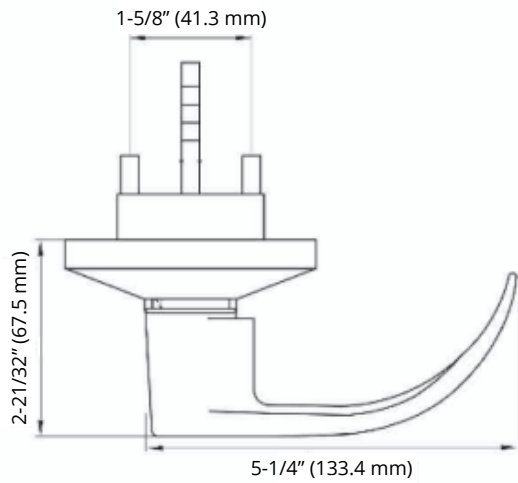


Satin Chrome
(626)

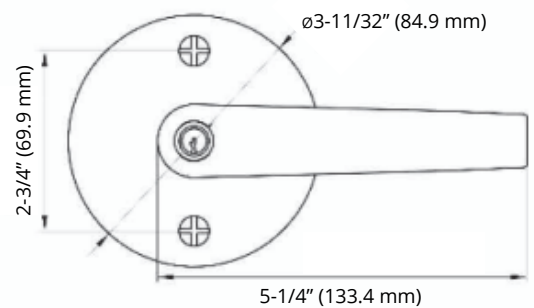
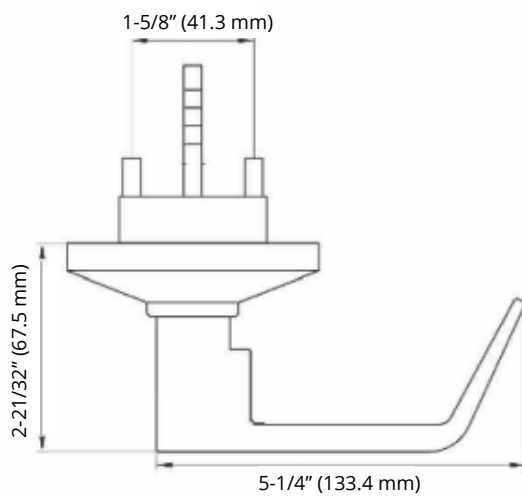
Other finishes available upon request

Finishes are for illustration only and may vary
from actual product provided

Dimensions



ED8900LQ F08 (Entrance) function shown



ED8900LS F08 (Entrance) function shown

Cylinders

SC 6-pin with Schlage® "C" keyway, standard

SFIC Small format IC

SLFIC Schlage large format IC, less core available

Functions

Type	ANSI No.	Description
Dummy	F02	Pull when dogged.
Entrance	F08	Key locks or unlocks latch bolt.
Storeroom	F09	Night latch, key retracts latch bolt.
Passage	F14	Lever operable.

How to Order

ED8900L Sectional Lever Trim

Trim Selection

ED8900LS	Sectional Sentinel lever trim
ED8900LQ	Sectional Quest lever trim

Function

See Functions on page 21

Exit Device Type

R	Regular exit device (Rim, SVR, LBR, 3 point)
C	Concealed vertical rod exit device

Finish

626	Satin chrome
-----	--------------

Cylinder

See Cylinders on page 21

Pick one item from each category when ordering.

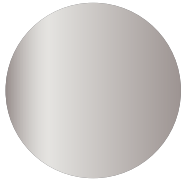
Example order: ED8900LS-08-R-626-SC



ED8900P1

PULL TRIM FOR 8900/9700 SERIES EXIT DEVICES

Finishes

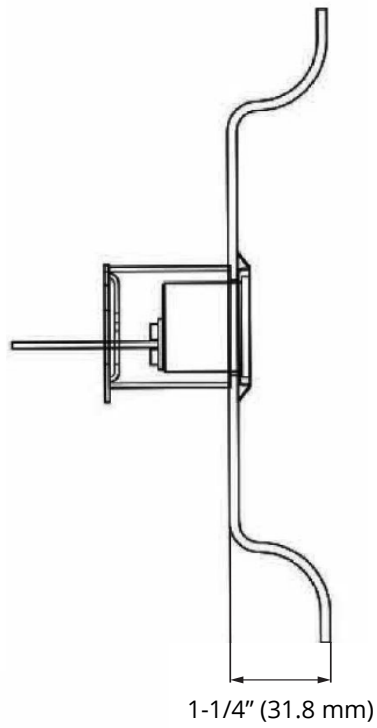
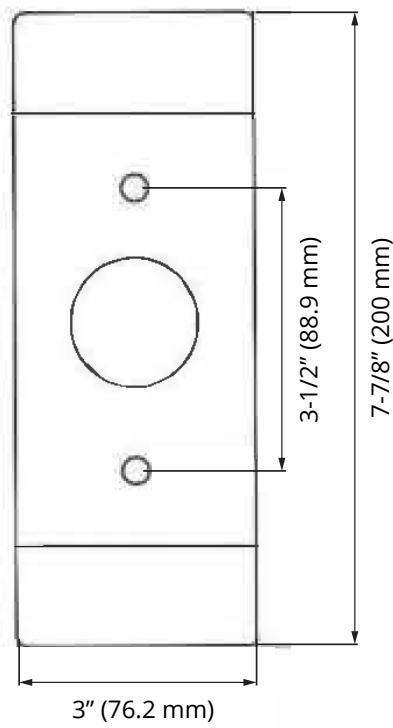


Aluminum
(689)

Other finishes available upon request

Finishes are for illustration only and may vary
from actual product provided

Dimensions






ED8900P1 F09 (Storeroom) function shown

Cylinders

SC	6-pin with Schlage® "C" keyway, standard
SFIC	Small format IC
SLFIC	Schlage large format IC, less core available
CLFIC	Corbin® large format IC, less core

Functions

Illustration	Series / Function	Type	ANSI No.	Description
	ED8900P1-01	Cover	F01	Exit only.
	ED8900P1-02	Dummy	F02	Pull when dogged.
	ED8900P1-09	Storeroom	F09	Night latch, key retracts latch bolt.

How to Order

ED8900P1 Pull Trim

Trim Selection

ED8900P1	Pull trim
----------	-----------

Function

See Functions on page 26

Exit Device Type

R	Regular exit device (Rim, SVR, LBR, 3 point)
---	--

Finish

689	Aluminium
-----	-----------

Cylinder

See Cylinders on page 26

Pick one item from each category when ordering.

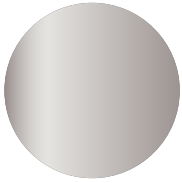
Example order: ED8900P1-09-R-689-SC



ED8900P2

PULL TRIM FOR 8900/9700 SERIES EXIT DEVICES

Finishes

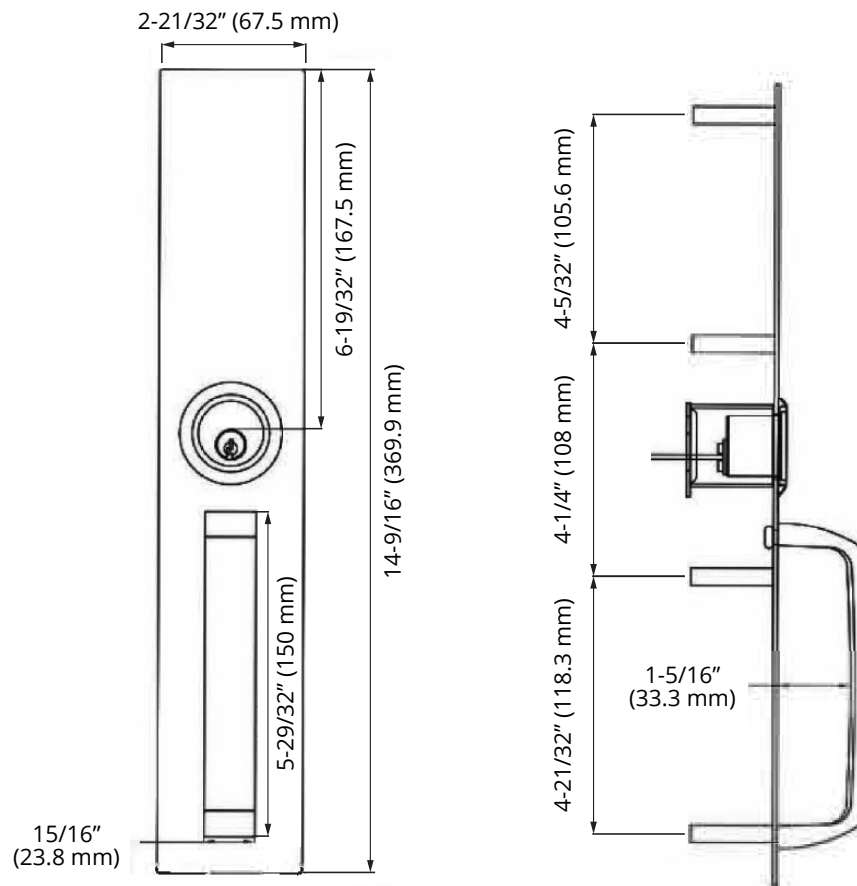


Aluminum
(689)

Other finishes available upon request

Finishes are for illustration only and may vary
from actual product provided

Dimensions






ED8900P2 F09 (Storeroom) function shown

Cylinders

SC	6-pin with Schlage® "C" keyway, standard
SFIC	Small format IC
SLFIC	Schlage large format IC, less core available
CLFIC	Corbin® large format IC, less core

Functions

Illustration	Series / Function	Type	ANSI No.	Description
	ED8900P2-01	Cover	F01	Exit only.
	ED8900P2-02	Dummy	F02	Pull when dogged.
	ED8900P2-09	Storeroom	F09	Night latch, key retracts latch bolt.

How to Order

ED8900P2 Pull Trim

Trim Selection

ED8900P2	Pull trim
----------	-----------

Function

See Functions on page 31

Exit Device Type

R	Regular exit device (Rim, SVR, LBR, 3 point)
---	--

Finish

689	Aluminium
-----	-----------

Cylinder

See Cylinders on page 31

Pick one item from each category when ordering.

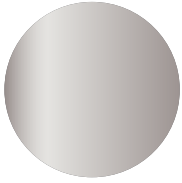
Example order: ED8900P2-09-R-689-SC



ED8900P3

PULL TRIM FOR 8900/9700 SERIES EXIT DEVICES

Finishes

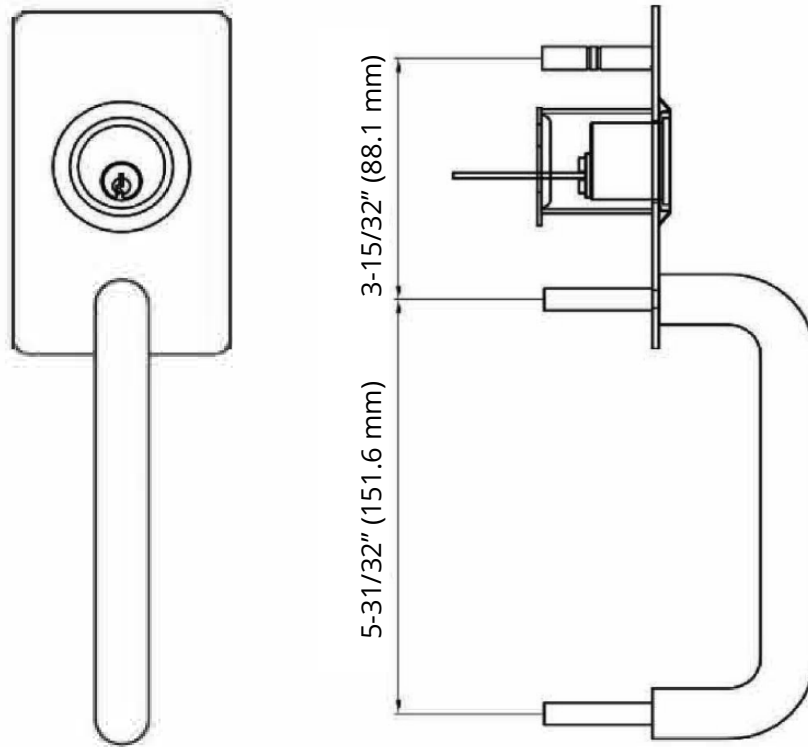


Aluminum
(689)

Other finishes available upon request

Finishes are for illustration only and may vary
from actual product provided

Dimensions





ED8900P3 F09 (Storeroom) function shown

Cylinders

SC	6-pin with Schlage® "C" keyway, standard
SFIC	Small format IC
SLFIC	Schlage large format IC, less core available
CLFIC	Corbin® large format IC, less core

Functions

Illustration	Series / Function	Type	ANSI No.	Description
	ED8900P3-02	Dummy	F02	Pull when dogged.
	ED8900P3-09	Storeroom	F09	Night latch, key retracts latch bolt.

How to Order

ED8900P3 Pull Trim

Trim Selection

ED8900P3	Pull trim
----------	-----------

Function

See Functions on page 36

Exit Device Type

R	Regular exit device (Rim, SVR, LBR, 3 point)
---	--

Finish

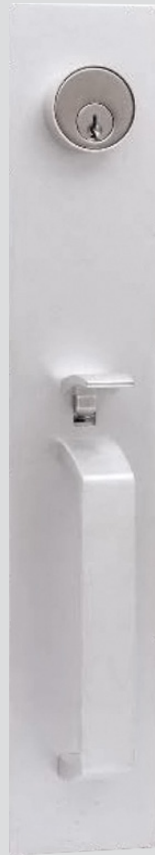
689	Aluminium
-----	-----------

Cylinder

See Cylinders on page 36

Pick one item from each category when ordering.

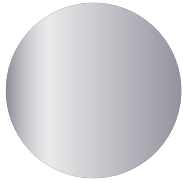
Example order: ED8900P3-09-R-689-SC



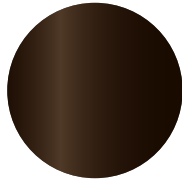
ED8900PT

THUMBPIECE TRIM FOR 8900/9700 SERIES EXIT DEVICES

Finishes



Satin Stainless Steel
(630)

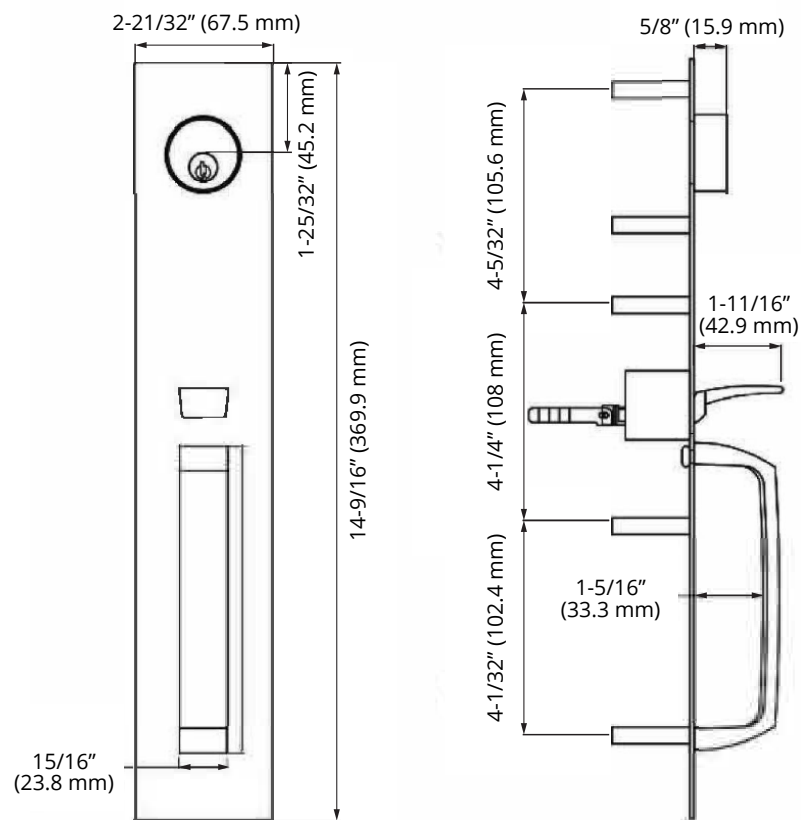


Duronodic
(695)

Other finishes available upon request

Finishes are for illustration only and may vary
from actual product provided

Dimensions



ED8900T F08 (Entrance) function shown

Cylinders

SC	6-pin with Schlage® "C" keyway, standard
SFIC	Small format IC
SLFIC	Schlage large format IC, less core available
CLFIC	Corbin® large format IC, less core

Functions

Type	ANSI No.	Function
Dummy	F02	Pull when dogged.
Entrance	F08	Key locks or unlocks latch bolt.
Storeroom	F09	Night latch, key retracts latch bolt.
Passage	F14	Lever operable.

How to Order

ED8900T Thumbpiece Trim

Trim Selection

ED8900T	Thumbpiece trim
---------	-----------------

Function

See Functions on page 41

Exit Device Type

R	Regular exit device (Rim, SVR, LBR, 3 point)
---	--

Finish

630	Satin stainless steel
695	Duronodic

Cylinder

See Cylinders on page 41

Pick one item from each category when ordering.

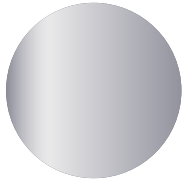
Example order: ED8900T-08-R-630-SC



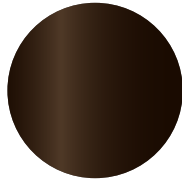
ED8900NE

NARROW STILE TRIM FOR 3700 SERIES EXIT DEVICES

Finishes



Satin Stainless Steel
(630)

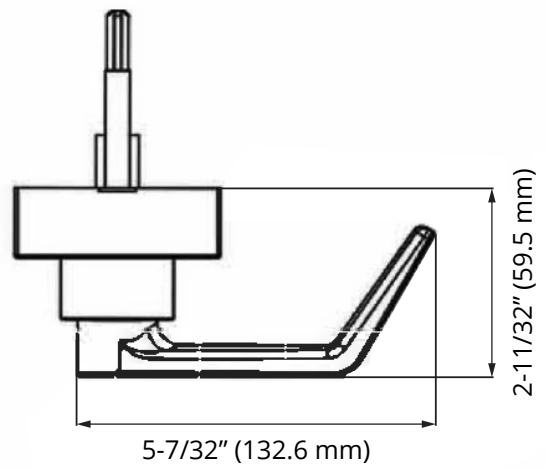
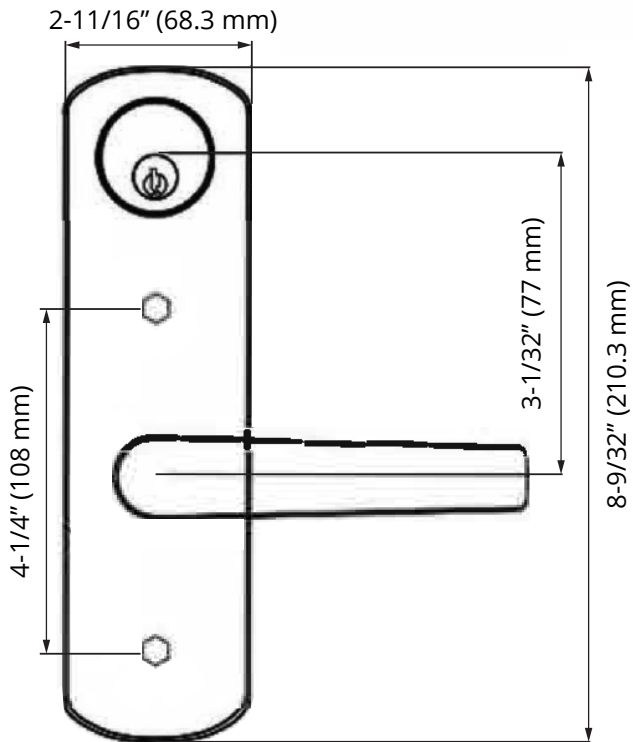


Duronodic
(695)

Other finishes available upon request

Finishes are for illustration only and may vary
from actual product provided

Dimensions



ED8900NE F08 (Storeroom) function shown

Cylinders

SC 6-pin with Schlage® “C” keyway, standard

SFIC Small format IC

SLFIC Schlage large format IC, less core available

CLFIC Corbin® large format IC, less core

Functions

Type	ANSI No.	Function
Dummy	F02	Pull when dogged.
Entrance	F08	Key locks or unlocks latch bolt.
Storeroom	F09	Night latch, key retracts latch bolt.
Passage	F14	Lever operable.

How to Order

ED8900NE Narrow Stile Trim

Trim Selection

ED8900NE	Narrow Stile Escutcheon Lever Trim
----------	------------------------------------

Function

See Functions on page 46

Exit Device Type

R	Regular Exit Device (Rim, SVR, LBR, 3 point)
C	Concealed Vertical Rod Exit Device

Finish

630	Satin Stainless Steel
695	Duronodic

Cylinder

See Cylinders on page 46

Pick one item from each category when ordering.

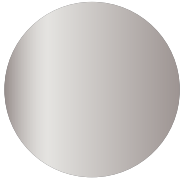
Example order: ED8900NE-08-R-630-SC



ED8900NP

NARROW STILE PULL TRIM FOR 3700 SERIES EXIT DEVICES

Finishes

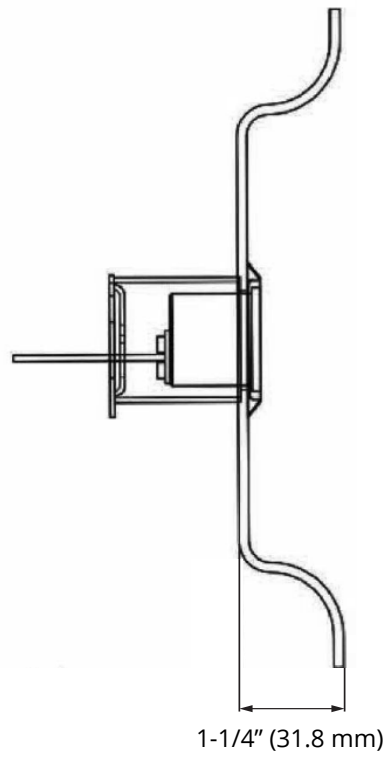
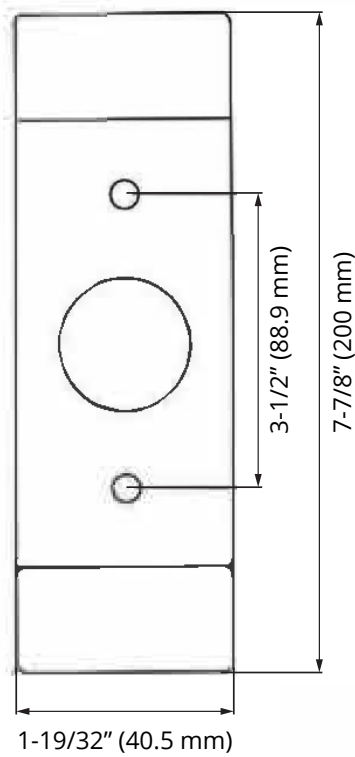


Aluminum
(689)

Other finishes available upon request

Finishes are for illustration only and may vary
from actual product provided

Dimensions






ED8900NP F09 (Storeroom) function shown

Cylinders

SC	6-pin with Schlage® "C" keyway, standard
SFIC	Small format IC
SLFIC	Schlage large format IC, less core available
CLFIC	Corbin® large format IC, less core

Functions

Illustration	Series / Function	Type	ANSI No.	Description
	ED8900NP-01	Cover	F01	Exit only.
	ED8900NP-02	Dummy	F02	Pull when dogged.
	ED8900NP-09	Storeroom	F09	Night latch, key retracts latch bolt.

How to Order

ED8900NP Narrow Stile Pull Trim

Trim Selection

ED8900NP	Narrow Stile Pull Trim
----------	------------------------

Function

See Functions on page 51

Exit Device Type

R	Regular Exit Device (Rim, SVR, LBR, 3 point)
---	--

Finish

689	Aluminium
-----	-----------

Cylinder

See Cylinders on page 51

Pick one item from each category when ordering.

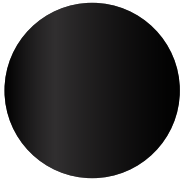
Example order: ED8900NP-09-R-689-SC



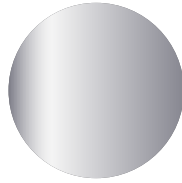
Aegis ESG

LARGE MESSAGE INDICATOR EXIT DEVICE TRIM

Finishes



Flat Black
(622)



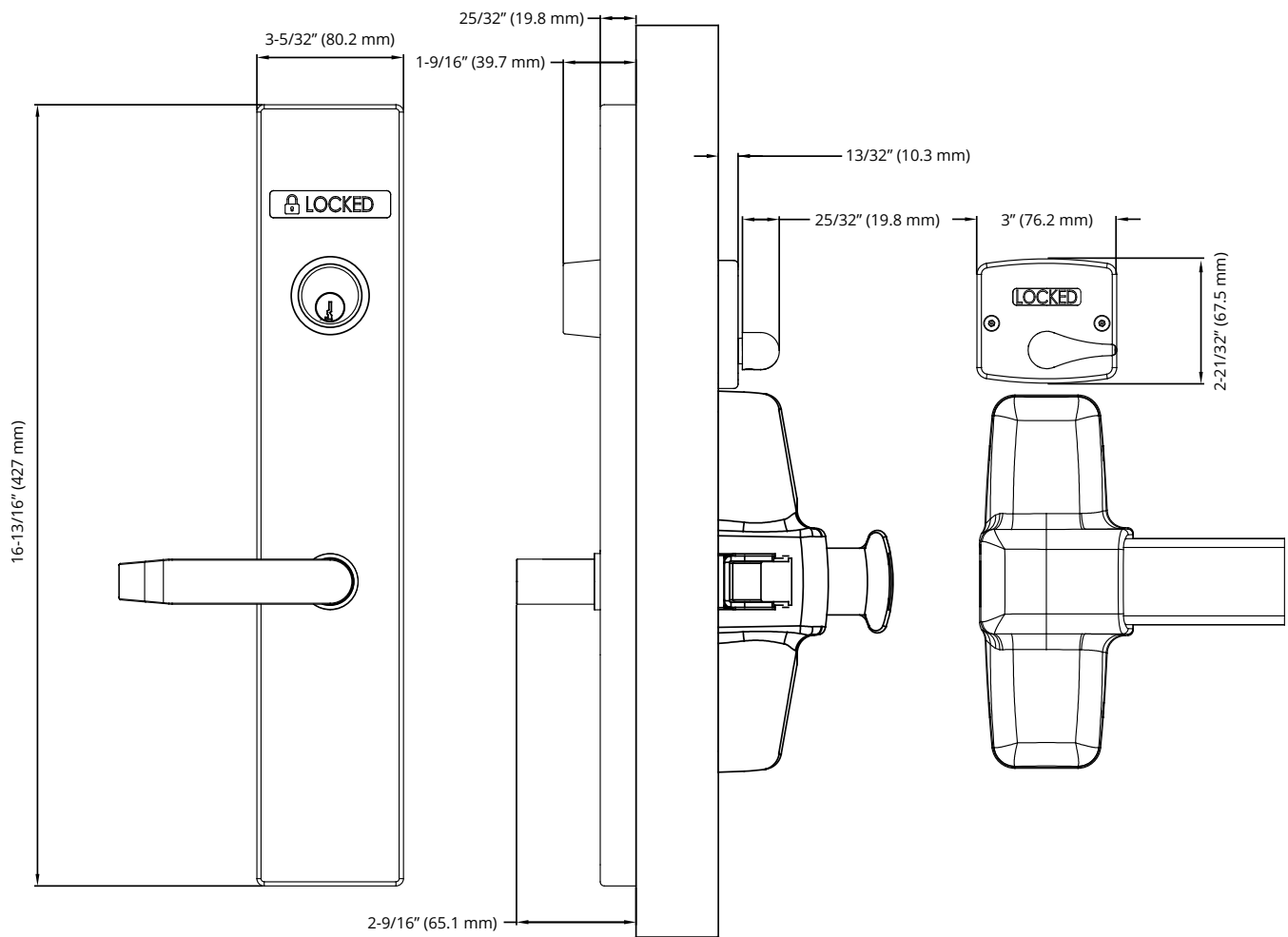
Satin Stainless Steel
(626)

Other finishes available upon request

Finishes are for illustration only and may vary
from actual product provided

*May require added lead time

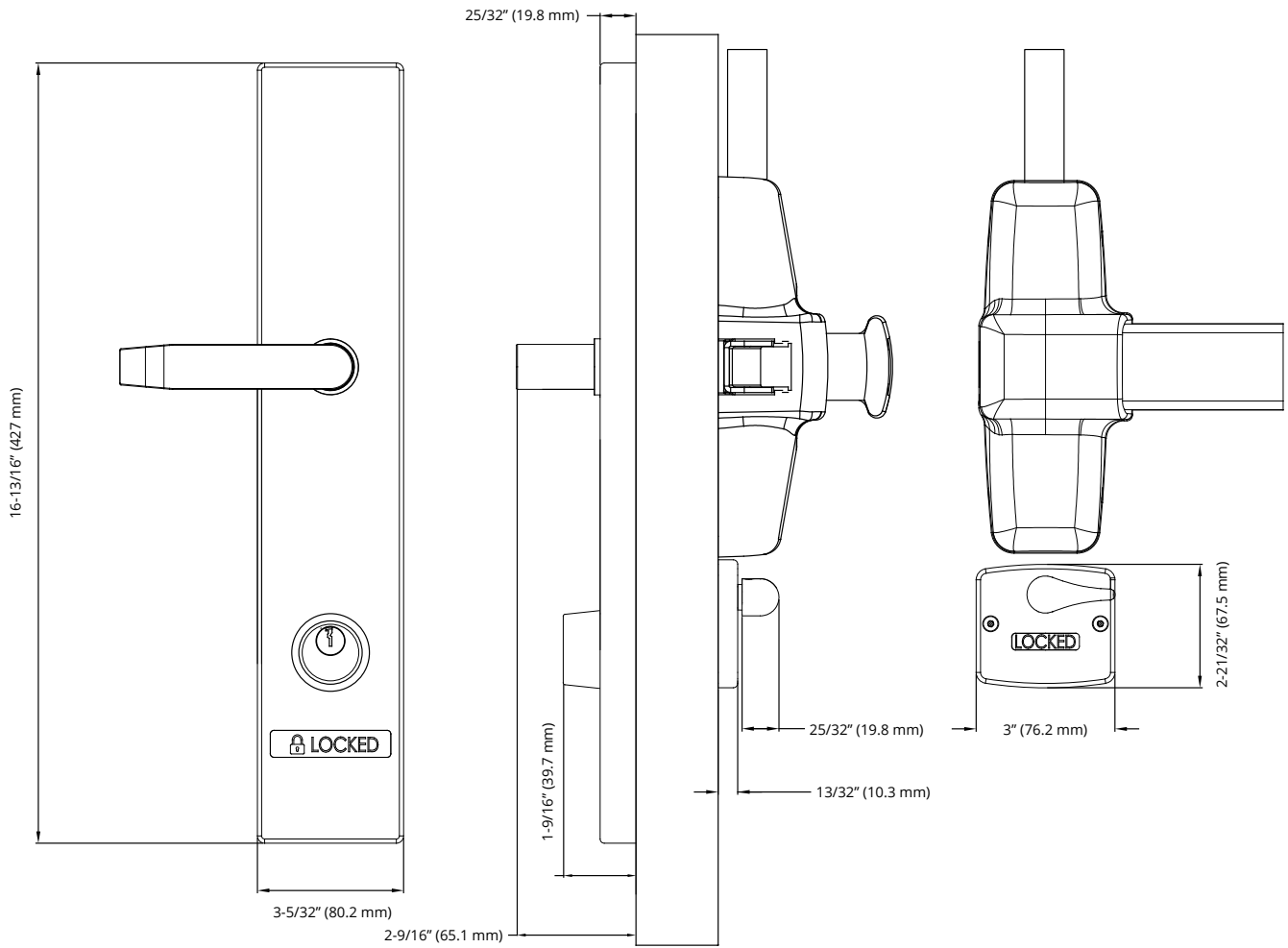
Dimensions



Rim device format, ESG F08T (Entrance) function, Sentinel lever, left hand reverse shown

(Note: Exit device not included)

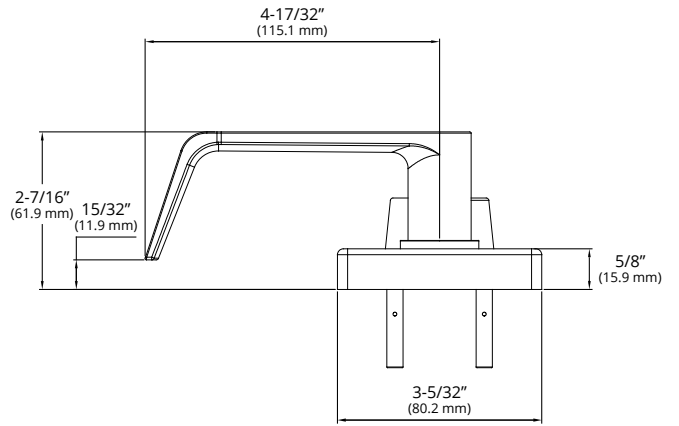
Dimensions



SVR LBR device format, ESG-LBR F08T (Entrance) function, Sentinel lever, left hand reverse shown

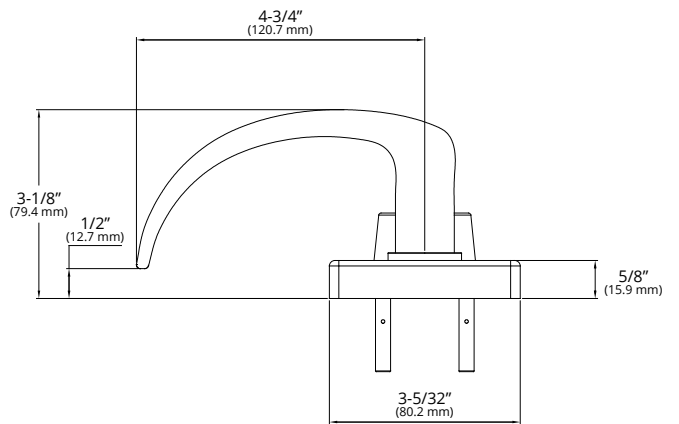
(Note: Exit device not included)

Levers



Sentinel

(S)



Quest

(Q)

Conventional Mortise Cylinders and Housings

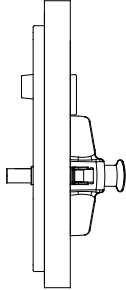
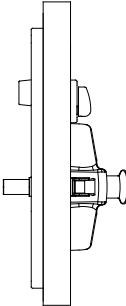
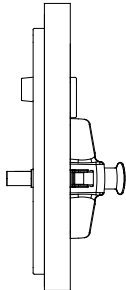
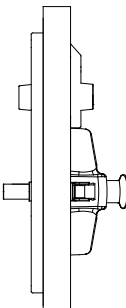
SC	6-pin with Schlage® "C" keyway, standard
SFIC6	6-pin small format IC, less core
SFIC7	7-pin small format IC, less core
CLFIC	Corbin® large format IC, less core
SLFIC	Schlage large format IC, less core
HS6	High security 6-pin IC core with TownSteel "L" keyway
HS7	High security 7-pin IC core with TownSteel "L" keyway
LC	Less Cylinder*

*If using your own cylinder, please consult factory.

KIK Cylinder Housings

KSC	Classic Schlage® conventional KIK cylinder housing, less KIK cylinder
------------	---

Functions

Out	In	Series / Function	Type	ANSI No.	Message / Color*	Description
		ESG-08	Entrance	F08	UNLOCKED (GREEN) / LOCKED (RED)	Entrance by lever. Outside key cylinder locks and unlocks outside lever. This also changes indicators to LOCKED/UNLOCKED.
		ESG-08T	Entrance with Turn		UNLOCKED (GREEN) / LOCKED (RED)	Entrance by lever. Outside key cylinder or inside thumb turn locks and unlocks outside lever. This also changes indicators to LOCKED/UNLOCKED.
		ESG-09	Nightlatch Storeroom	F09	UNLOCKED (GREEN) / LOCKED (RED)	Entrance by lever only when outside key cylinder is in use. Key removable only when outside lever trim is locked. Indicators normally display LOCKED. When key is in use, indicator will show "UNLOCKED".
		ESG-10	Intruder	F10**	UNLOCKED (GREEN) / LOCKED (RED)	Entrance by lever. Inside or outside cylinder locks or unlocks lever. This also changes indicators to LOCKED/UNLOCKED.

*For custom request of status indicator, message, or color, please consult factory.

**ESG-10 pairs with inside in 626 finish standard, consult with factory for specific finish requirements

How to Order

Aegis ESG Indicator Trim

Trim

ESG	Aegis ESG Rim ED Indicator Trim
ESG-LBR	Aegis ESG SVR LBR ED Indicator Trim

Indicator

[Leave Blank]	Indicator Outside/Indicator Inside
B	No Indicator Outside/No Indicator Inside
BI	Indicator Outside/No Indicator Inside
BO	No Indicator Outside/Indicator Inside

Function (Message)

See Functions and Message on page 59

Lever

S	Sentinel
Q	Quest

Handing

LHR	Left Hand Reverse
RHR	Right Hand Reverse

Finish

622	Flat Black
630	Stainless Steel

Cylinder

See Cylinders on page 58

How to Order

Aegis ESG Indicator Trim

Device Compatibility

[Leave Blank]	TownSteel 1100/1200/8900/9700 Series, Von Duprin® VD99 Series, Marks® M9900 Series
HAG	Hager® 4700 Series
DE10	Detex® 10 Series
VD22	Von Duprin VD22 Series
SAR	Sargent® 8000 Series
COR	Corbin Russwin® ED5000 Series
DOR	Dorma® 9000 Series
PHI	Precision® PHI 2000 Series
FAL	Falcon® 20 Series
CAL	Cal Royal® 2200 Series
YAL	Accentra® (Yale) 2100/6100/7100 Series

Pick one item from each category when ordering.

Example Order (TownSteel/VD99/M9900): ESG-08T-S-RHR-630-SC

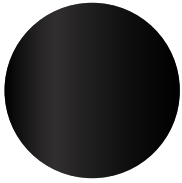
Example Order (Other Brands): ESG-08T-S-RHR-630-SC-VD22



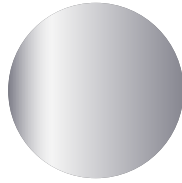
MKS Mechanical

ESCUTCHEON LEVER TRIM FOR
1000/8900/9700 SERIES EXIT DEVICES

Finishes



Flat Black
(622)

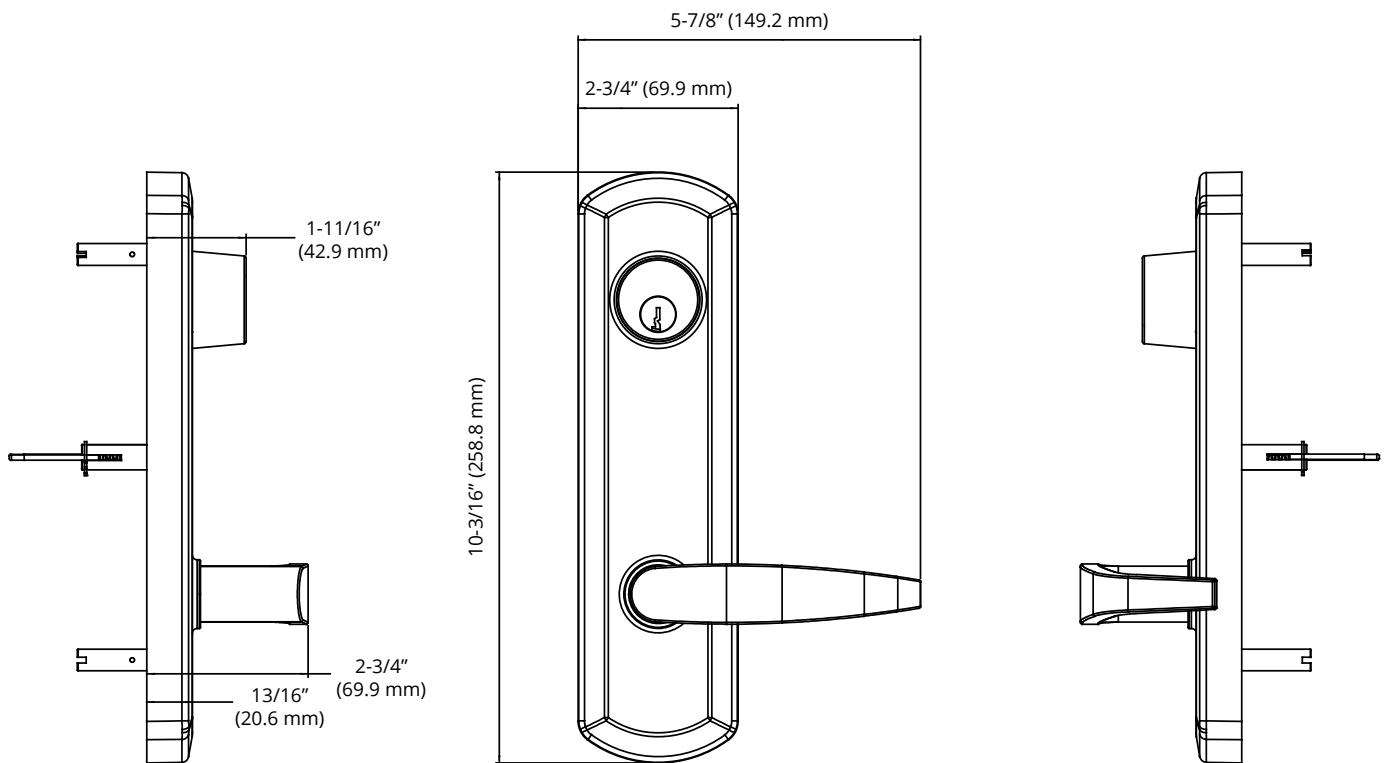


Satin Chrome
(626)

Other finishes available upon request

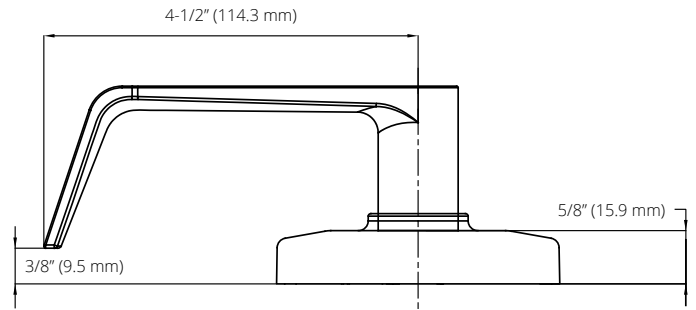
Finishes are for illustration only and may vary
from actual product provided

Dimensions



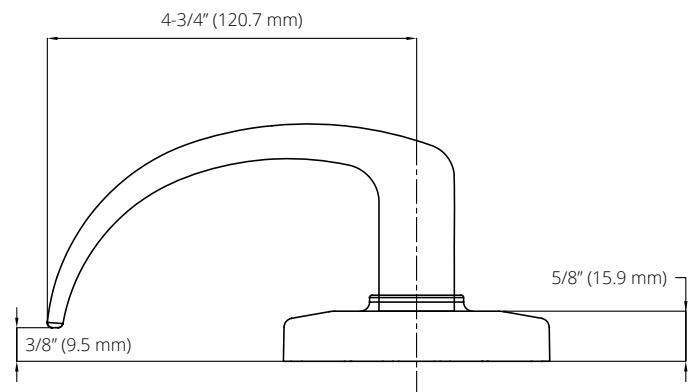
MKS Mechanical F08 (Entrance) function shown

Levers



Sentinel

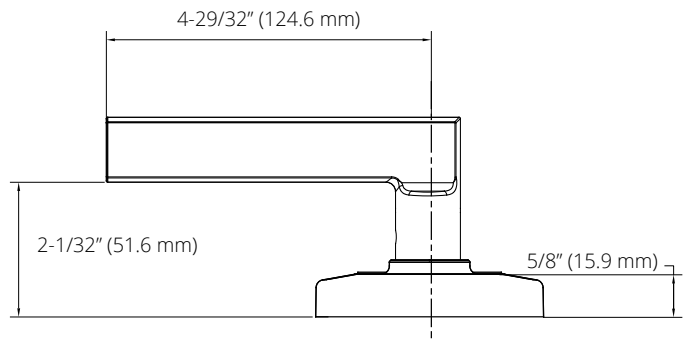
(S)



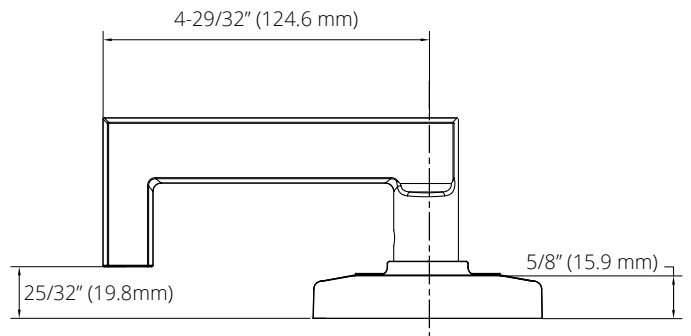
Quest

(Q)

Levers



Essen
(E)



Essen Return
(ER)

Cylinders

SC	6-pin with Schlage® "C" keyway, standard
SFIC6	6-pin IC core with Best® "A" keyway
SFIC7	7-pin IC core with Best "A" keyway
CLFIC	Corbin® large format IC, less core available
SLFIC	Schlage large format IC, less core available
HS6	High Security 6-pin with TownSteel "L" keyway
HS7	High Security 7-pin with TownSteel "L" keyway
LC	Less cylinder*

*If using your own cylinder the cam accessory package must be purchased , please consult factory.

Functions

Series / Function	Type	ANSI No.	Description
MKS-02	Dummy	F02	Non-functioning trim, Pull only. No cylinder.
MKS-08	Entrance	F08	Entrance by lever; key locks or unlocks lever.
MKS-09	Nightlatch/Storeroom	F09	Entrance by lever when latch is retracted by key. Key removable only when locked.
MKS-14	Passage	F14	Latch bolt operated by lever at all times. No cylinder.

How to Order

MKS Mechanical Escutcheon Lever Trim

Trim

MKS	Mechanical Exit Device Lever Trim
-----	-----------------------------------

Function

See Function on page 67

Exit Device Type

R	Rim Exit Device
---	-----------------

Lever

S	Sentinel
---	----------

Q	Quest
---	-------

E	Essen
---	-------

ER	Essen Return
----	--------------

Finish

622	Flat Black
-----	------------

626	Satin Chrome
-----	--------------

Cylinder

See Cylinders on page 67

Pick one item from each category when ordering.

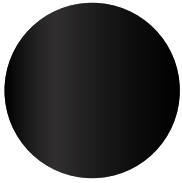
Example order: MKS-08-R-S-626-SC



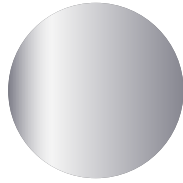
KES Mechanical

ESCUTCHEON LEVER TRIM FOR
1000/8900/9700 SERIES EXIT DEVICES

Finishes



Flat Black
(622)

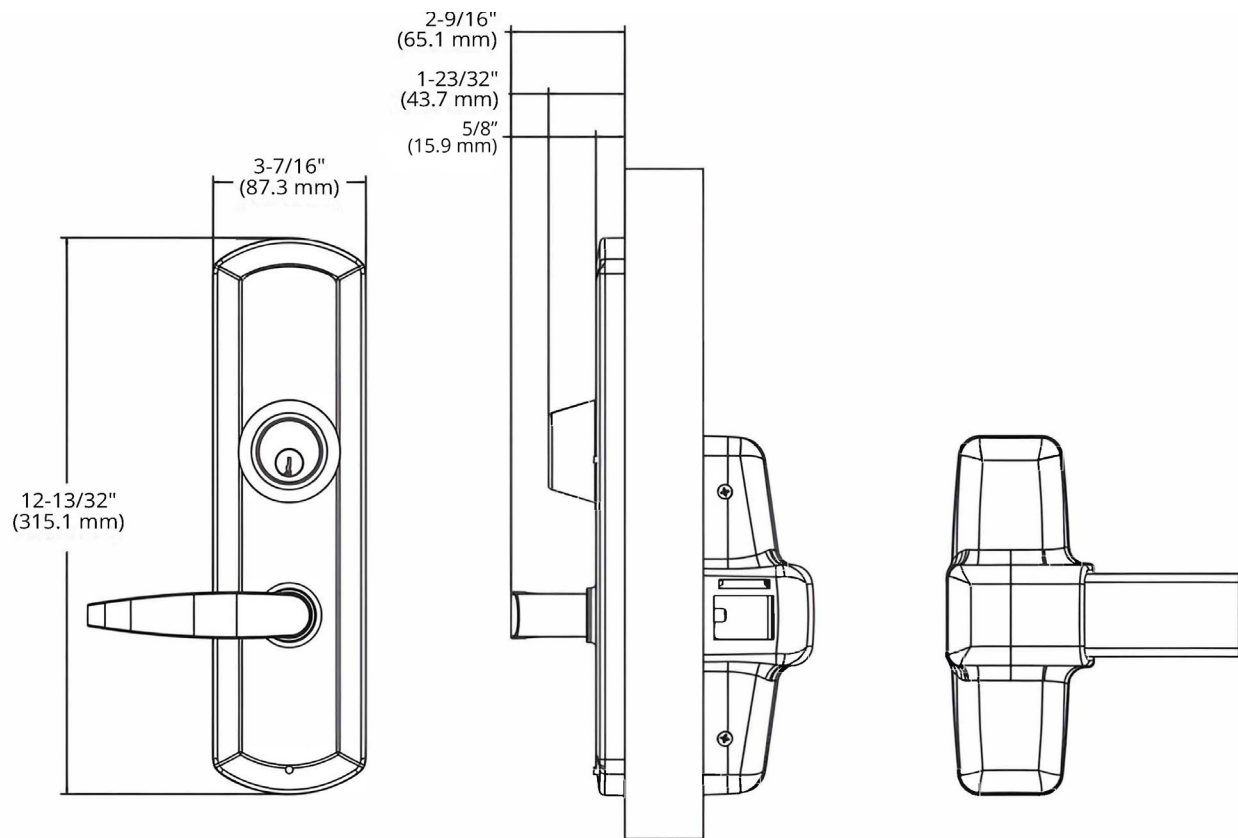


Satin Chrome
(626)

Other finishes available upon request

Finishes are for illustration only and may vary
from actual product provided

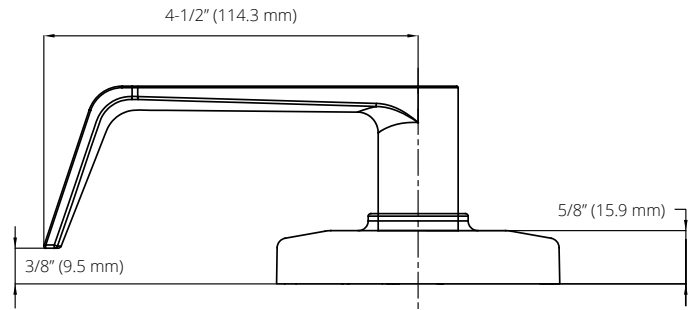
Dimensions



KES Mechanical F08 (Entrance) function shown

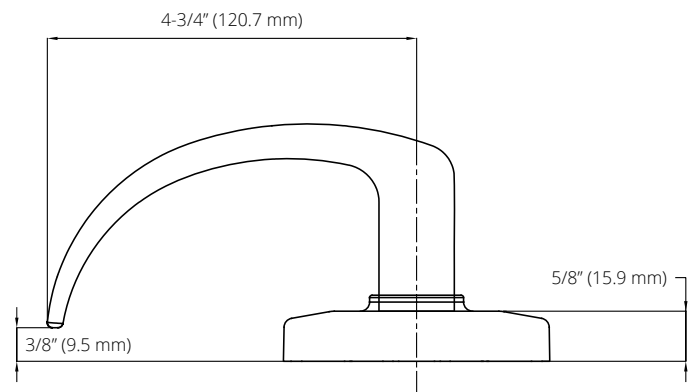
(Note: Exit device not included)

Levers



Sentinel

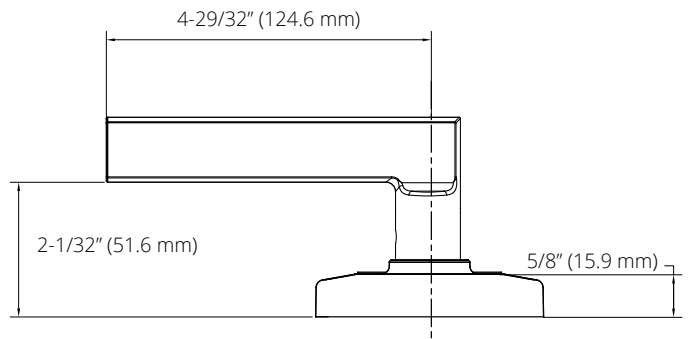
(S)



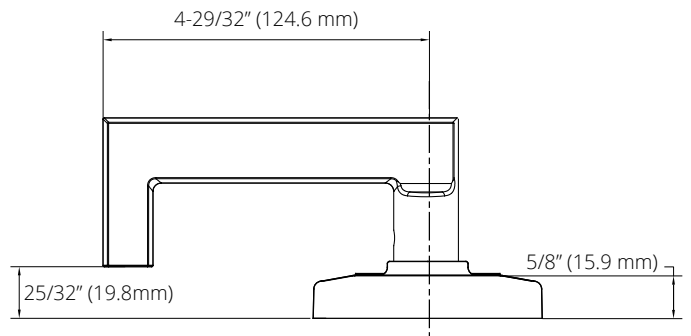
Quest

(Q)

Levers



Essen
(E)



Essen Return
(ER)

Cylinders

SC 6-pin with Schlage® "C" keyway, standard

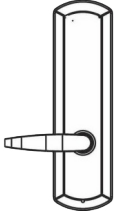
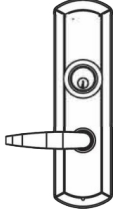

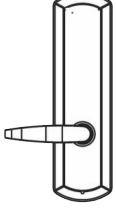
SFIC6 6-pin IC core with Best® "A" keyway

SFIC7 7-pin IC core with Best "A" keyway

CLFIC Corbin® large format IC, less core available

SLFIC Schlage large format IC, less core available

Functions

Illustration	Series / Function	Type	ANSI No.	Description
	KES-902	Dummy	N/A	Non-functioning trim. Pull only. No cylinder.
	KES-903	Night Latch / Storeroom	N/A	Entrance by lever when latch is released by key. Key removable only when locked.
	KES-908	Entrance	N/A	Entrance by lever. Key locks or unlocks lever.
	KES-914	Passage	N/A	Latch bolt operated by lever at all times. No cylinder.

How to Order

KES Mechanical Escutcheon Lever Trim

Escutcheon

KES	Mechanical Escutcheon Trim
-----	----------------------------

Function

See Functions on page 75

Exit Device Type

R	Rim Exit Device
S	SVR, 3PT, LBR Exit Device
M	Mortise Exit Device
C	CVR Exit Device

Lever

S	Sentinel
Q	Quest
E	Essen
ER	Essen Return

Handing

LHR	Left Hand Reverse
RHR	Right Hand Reverse

Finish

622	Flat Black
626	Satin Chrome

Cylinder

See Cylinders on page 74

Pick one item from each category when ordering.

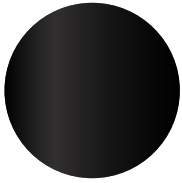
Example order: KES-902-R-S-LHR-626-SC



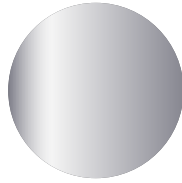
KES Electrified

ESCUTCHEON LEVER TRIM FOR
1000/8900/9700 SERIES EXIT DEVICES

Finishes



Flat Black
(622)

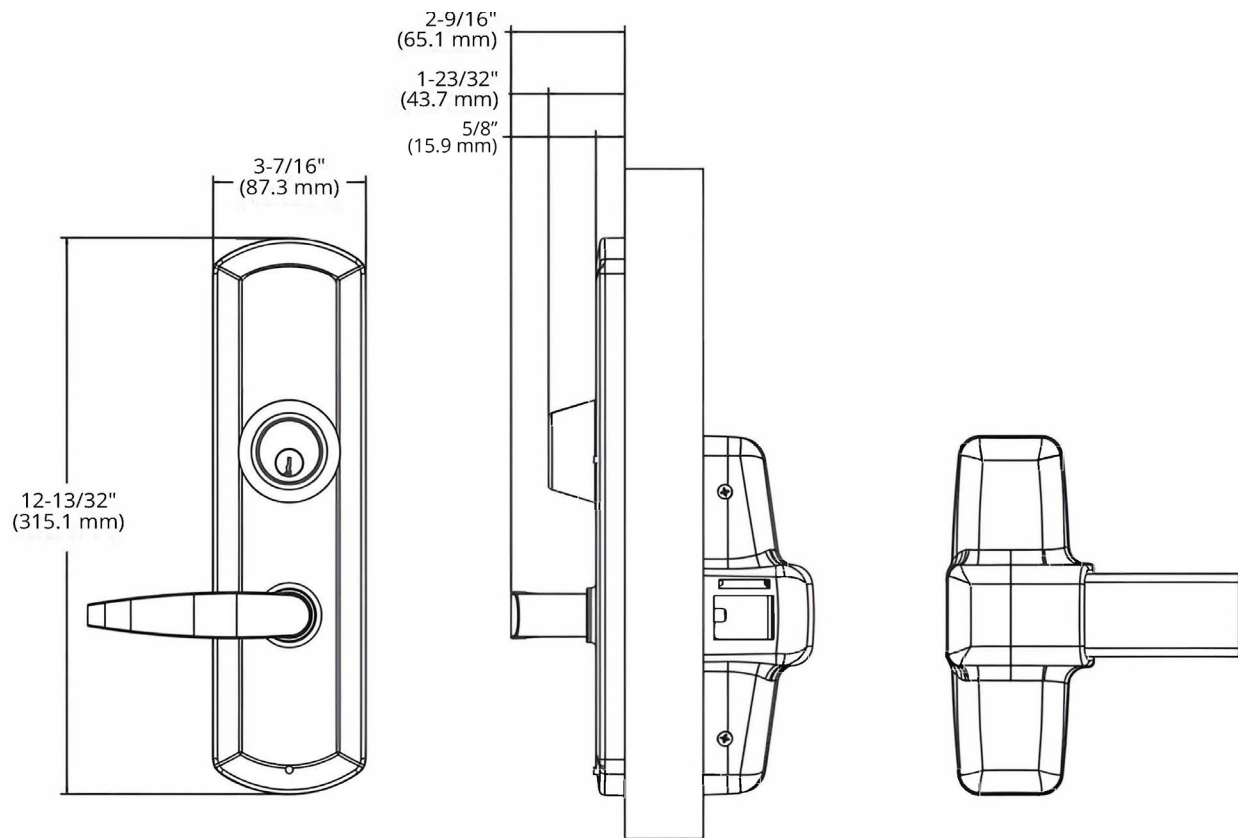


Satin Chrome
(626)

Other finishes available upon request

Finishes are for illustration only and may vary
from actual product provided

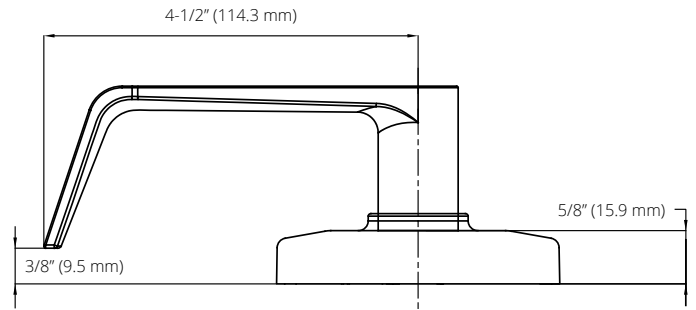
Dimensions



KES Electrified KES-909e (Cylinder) electrified trim function shown

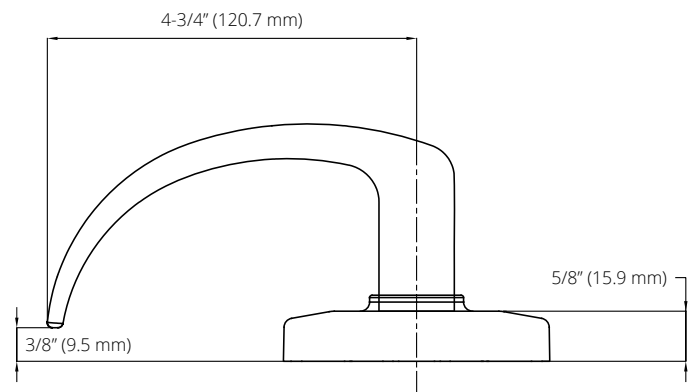
(Note: Exit device not included)

Levers



Sentinel

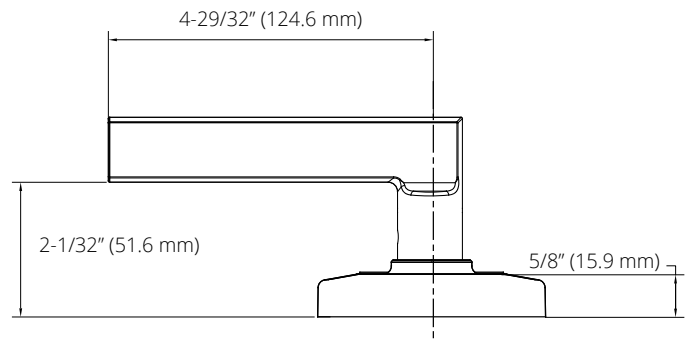
(S)



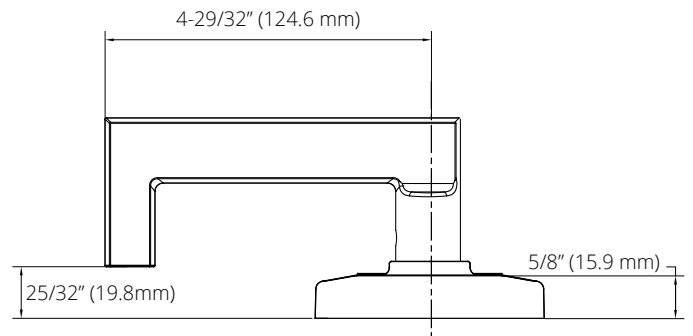
Quest

(Q)

Levers



Essen
(E)



Essen Return
(ER)

Cylinders

SC 6-pin with Schlage® "C" keyway, standard

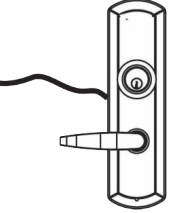
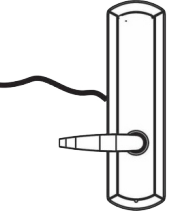
SFIC6 6-pin IC core with Best® "A" keyway

SFIC7 7-pin IC core with Best "A" keyway

CLFIC Corbin® large format IC, less core available

SLFIC Schlage large format IC, less core available

Functions

Illustration	Series / Function	Type	ANSI No.	Description
	KES-909e	Electrified Trim w/ Cylinder (10-30 VDC)	N/A	This lock needs to be controlled by an access control unit, then the electrified mortise will unlock. A key can be used to retract the latch, key override to retract the latch.
	KES-914e	Electrified Trim (10-30 VDC)	N/A	This lock needs to be controlled by an access control unit, then the electrified mortise will unlock.

How to Order

KES Electrified Escutcheon Lever Trim

Escutcheon

KES	KES Electrified Escutcheon Trim
-----	---------------------------------

Function

See Functions on page 83

Exit Device Type

R	Rim Exit Device
S	SVR, 3PT, LBR Exit Device
M	Mortise Exit Device
C	CVR Exit Device

Operating Mode

1	FAIL SAFE
2	FAIL SECURE

Lever

S	Sentinel
Q	Quest
E	Essen
ER	Essen Return

Handing

LHR	Left Hand Reverse
RHR	Right Hand Reverse

Finish

606	Satin Brass
622	Flat Black
626	Satin Chrome

How to Order

KES Electrified Escutcheon Lever Trim

Cylinder

See Cylinders on page 82

Pick one item from each category when ordering.

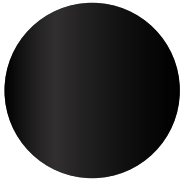
Example order: KES-909e-R-1-S-LHR-626-SC



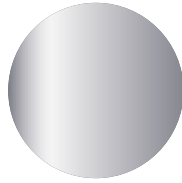
EKE Electronic 2000

ESCUTCHEON LEVER TRIM FOR
1000/8900/9700 SERIES EXIT DEVICES

Finishes



Flat Black
(622)

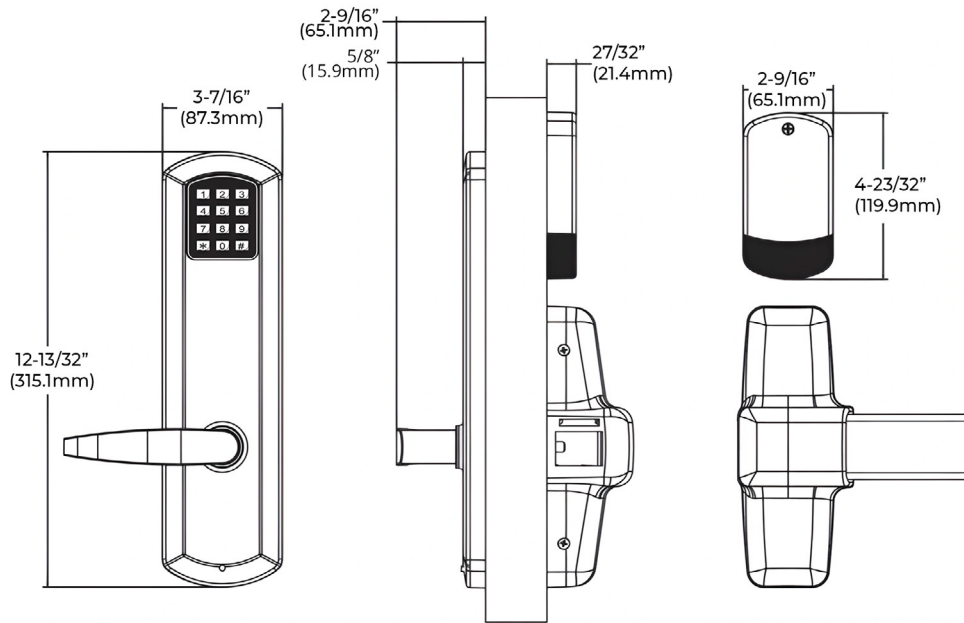


Satin Chrome
(626)

Other finishes available upon request

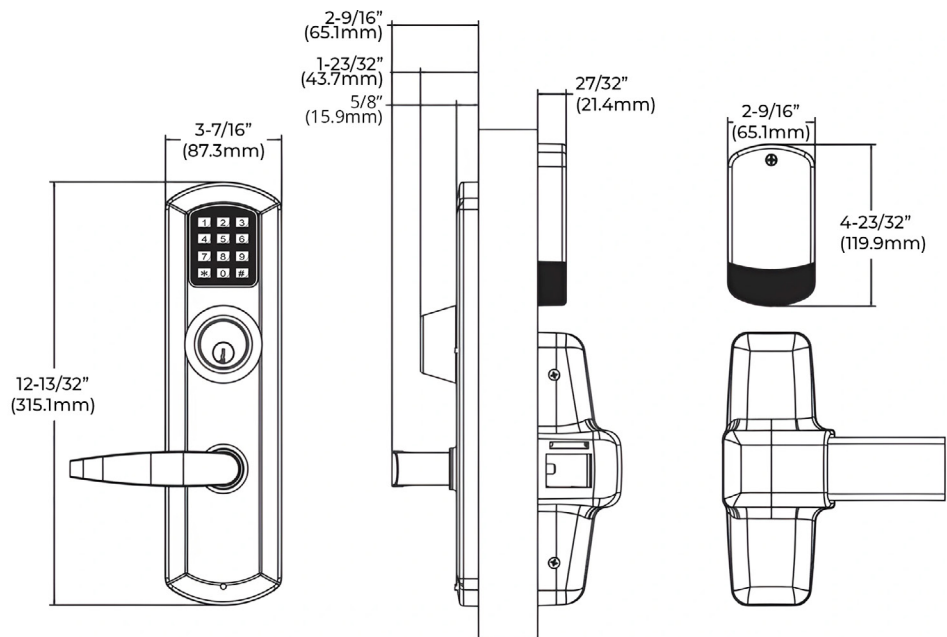
Finishes are for illustration only and may vary
from actual product provided

Dimensions



EKE Electronic 2000 1A without cylinder, Quest lever, left hand reverse shown

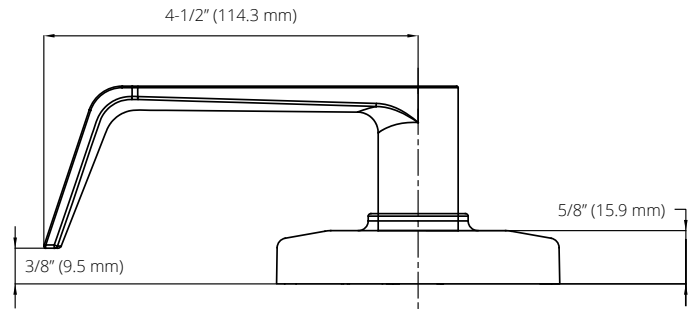
(Note: Exit device not included)



EKE Electronic 2000 1B with cylinder, Quest lever, left hand reverse shown

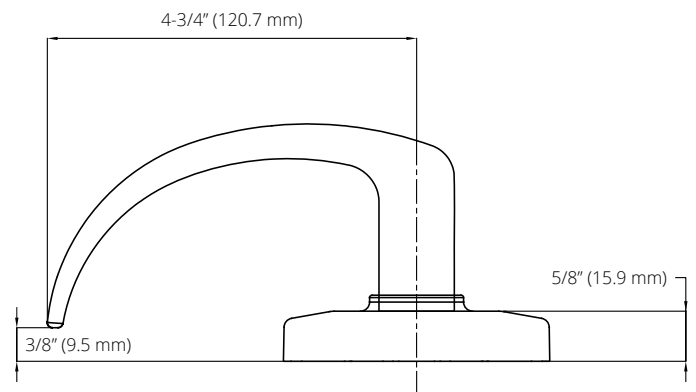
(Note: Exit device not included)

Levers



Sentinel

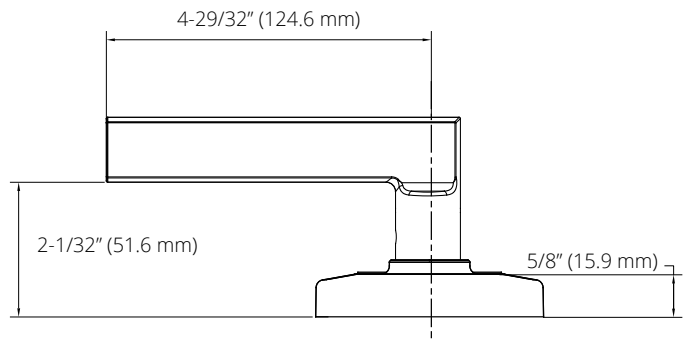
(S)



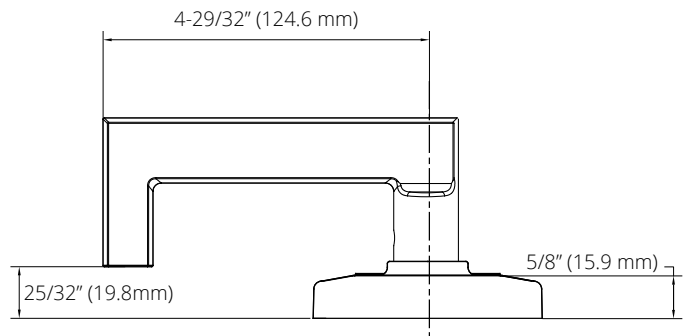
Quest

(Q)

Levers



Essen
(E)



Essen Return
(ER)

Cylinders

SC	6-pin with Schlage® "C" keyway, standard
SFIC6	6-pin IC core with Best® "A" keyway
SFIC7	7-pin IC core with Best "A" keyway
CLFIC	Corbin® large format IC, less core available
SLFIC	Schlage large format IC, less core available

KD standard, KA, MK, GMK, GGMK upon request

*Contact factory for SFIC core

How to Order

EKE Electronic 2000

Escutcheon

EKE1A	EKE Electronic, without Cylinder
EKE1B	EKE Electronic, with Cylinder

Model Number

2	2000, Keypad
---	--------------

Exit Device Type

R	Rim Exit Device
S	SVR Exit Device
C	CVR Exit Device
M	Mortise Exit Device

Lever

S	Sentinel
Q	Quest
E	Essen
ER	Essen Return

Handing

LHR	Left Hand Reverse
RHR	Right Hand Reverse

Finish

622	Flat Black
626	Satin Chrome

How to Order

EKE Electronic 2000

Cylinder

[Leave Blank]

For EKE1A Escutcheon

See Cylinders on page 91

For EKE1B Escutcheon

Pick one item from each category when ordering.

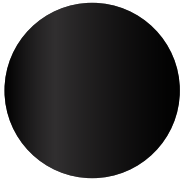
Example order: EKE1B2-R-SLHR626-SC



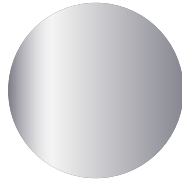
EKE Electronic 4000

ESCUTCHEON LEVER TRIM FOR
1000/8900/9700 SERIES EXIT DEVICES

Finishes



Flat Black
(622)

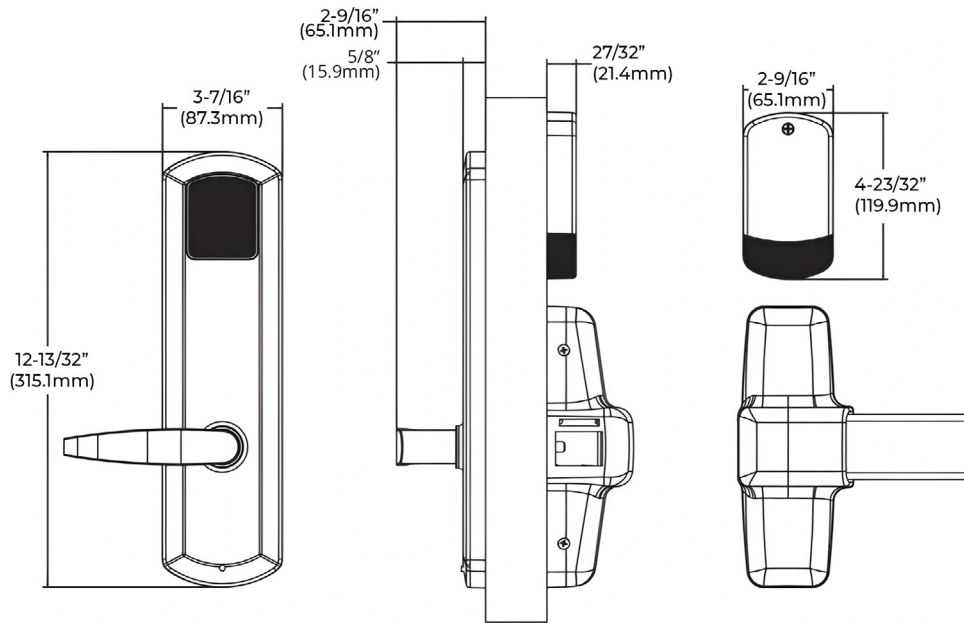


Satin Chrome
(626)

Other finishes available upon request

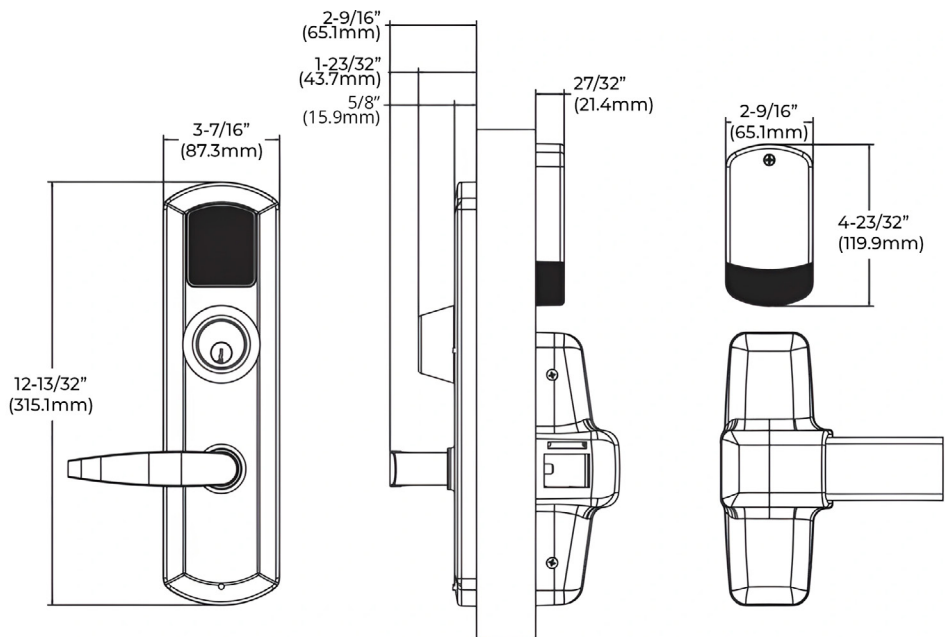
Finishes are for illustration only and may vary
from actual product provided

Dimensions



EKE Electronic 4000 1A without cylinder, Quest lever, left hand reverse shown

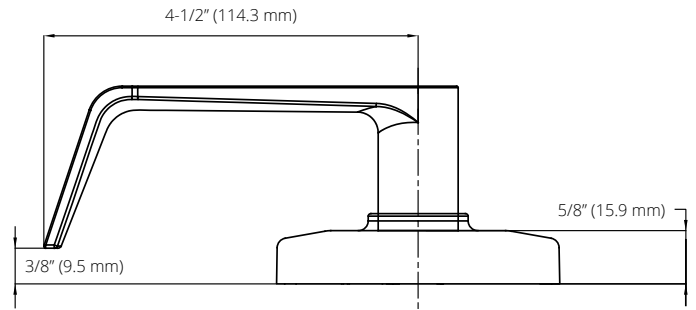
(Note: Exit device not included)



EKE Electronic 4000 1B with cylinder, Quest lever, left hand reverse shown

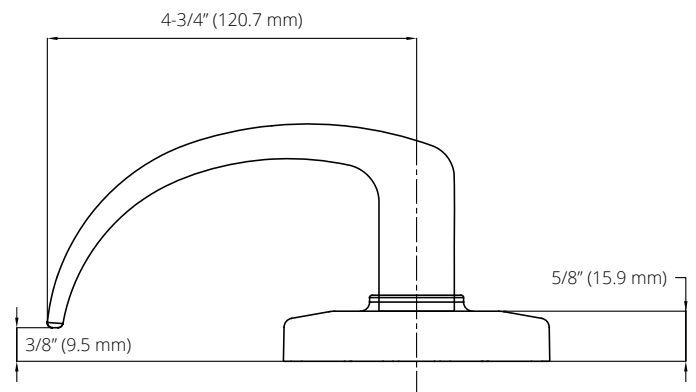
(Note: Exit device not included)

Levers



Sentinel

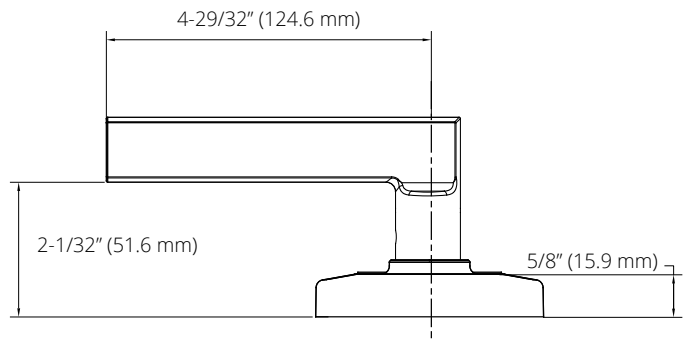
(S)



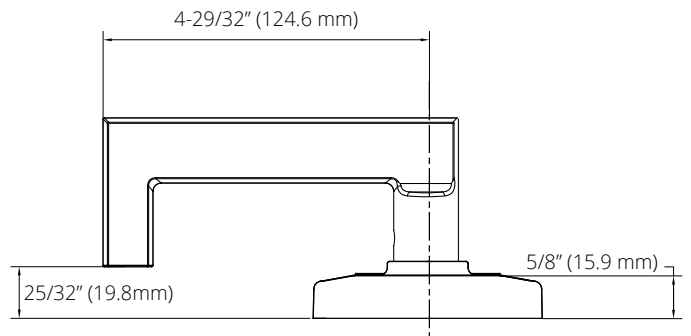
Quest

(Q)

Levers



Essen
(E)



Essen Return
(ER)

Cylinders

SC	6-pin with Schlage® "C" keyway, standard
SFIC6	6-pin IC core with Best® "A" keyway
SFIC7	7-pin IC core with Best "A" keyway
CLFIC	Corbin® large format IC, less core available
SLFIC	Schlage large format IC, less core available

KD standard, KA, MK, GMK, GGMK upon request

*Contact factory for SFIC core

How to Order

EKE Electronic 4000

Escutcheon

EKE1A	EKE Electronic, without Cylinder
EKE1B	EKE Electronic, with Cylinder

Model Number

4	4000, RFID
---	------------

Exit Device Type

R	Rim Exit Device
S	SVR Exit Device
C	CVR Exit Device
M	Mortise Exit Device

Lever

S	Sentinel
Q	Quest
E	Essen
ER	Essen Return

Handing

LHR	Left Hand Reverse
RHR	Right Hand Reverse

Finish

622	Flat Black
626	Satin Chrome

How to Order

EKE Electronic 4000

Cylinder

[Leave Blank]

For EKE1A Escutcheon

See Cylinders on page 99

For EKE1B Escutcheon

Pick one item from each category when ordering.

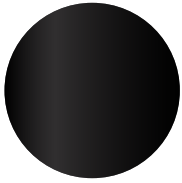
Example order: EKE1A4-R-SLHR626-SC



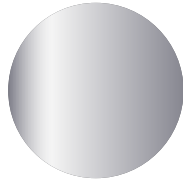
EKE Electronic 5000

ESCUTCHEON LEVER TRIM FOR
1000/8900/9700 SERIES EXIT DEVICES

Finishes



Flat Black
(622)

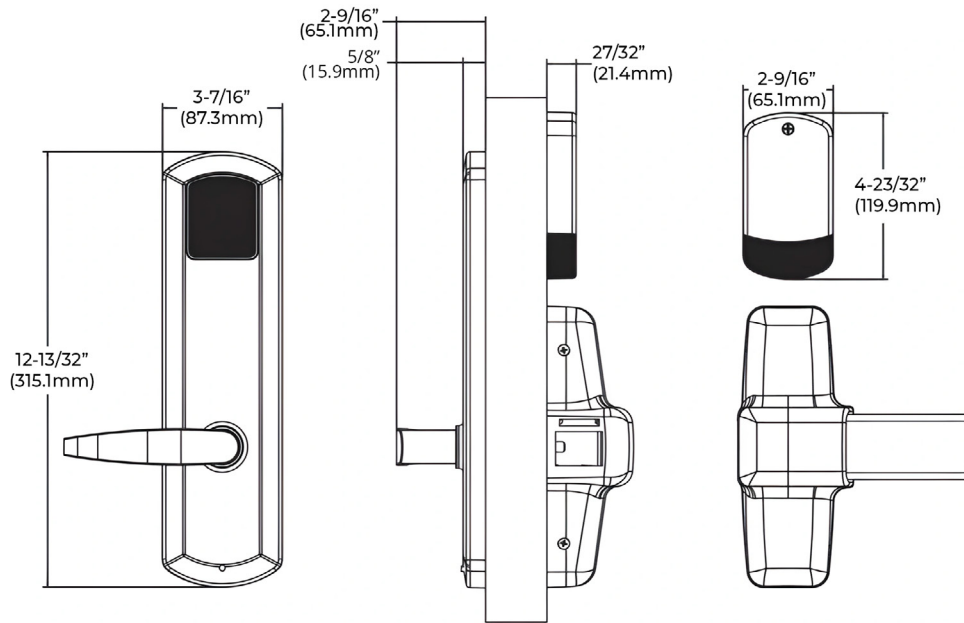


Satin Chrome
(626)

Other finishes available upon request

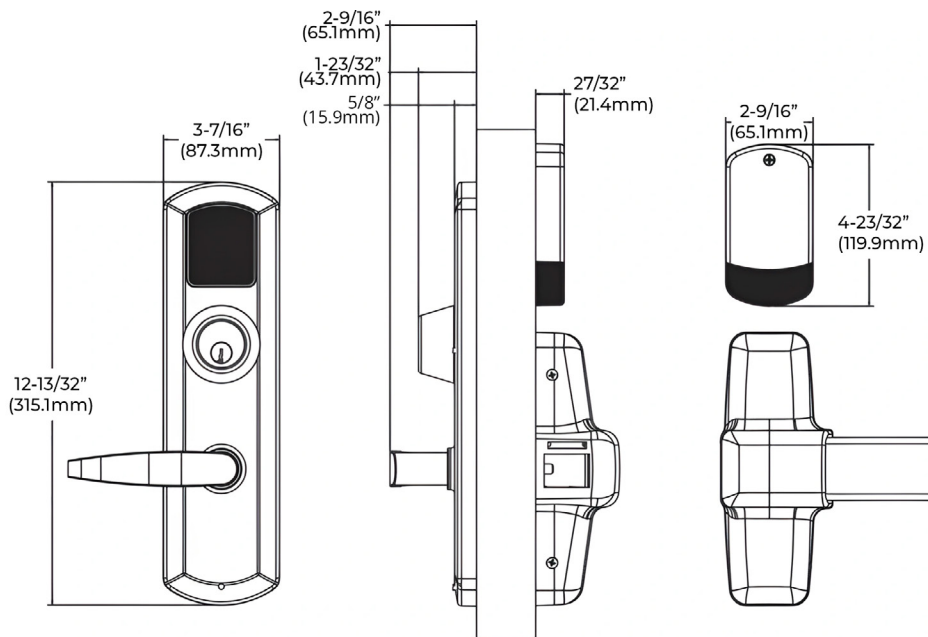
Finishes are for illustration only and may vary
from actual product provided

Dimensions



EKE Electronic 5000 1A without cylinder, Quest lever, left hand reverse shown

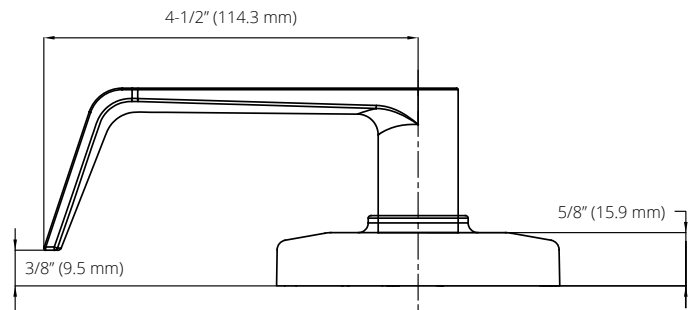
(Note: Exit device not included)



EKE Electronic 5000 1B with cylinder, Quest lever, left hand reverse shown

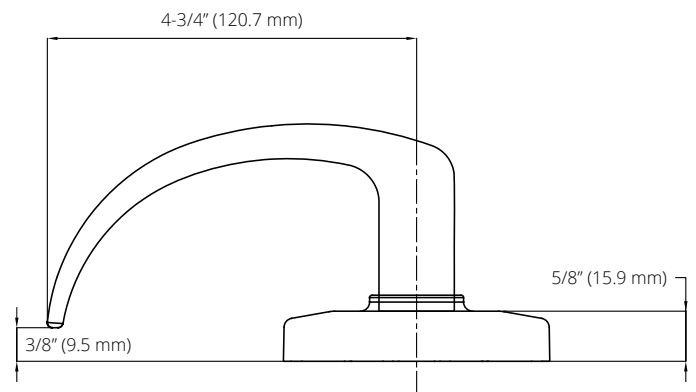
(Note: Exit device not included)

Levers



Sentinel

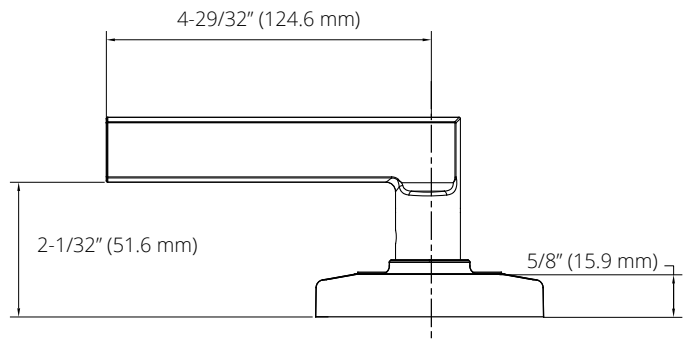
(S)



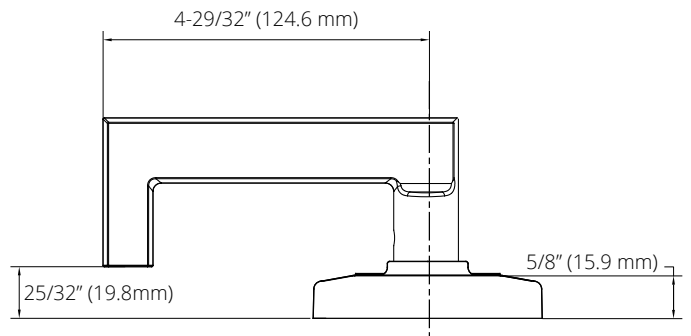
Quest

(Q)

Levers



Essen
(E)



Essen Return
(ER)

Cylinders

SC	6-pin with Schlage® "C" keyway, standard
SFIC6	6-pin IC core with Best® "A" keyway
SFIC7	7-pin IC core with Best "A" keyway
CLFIC	Corbin® large format IC, less core available
SLFIC	Schlage large format IC, less core available

KD standard, KA, MK, GMK, GGMK upon request

*Contact factory for SFIC core

How to Order

EKE Electronic 5000

Escutcheon

EKE1A	EKE Electronic, without Cylinder
EKE1B	EKE Electronic, with Cylinder

Model Number

5R	5000-RF, Wi-Fi (Gateway required)
5B	5000-BLE, Bluetooth

Exit Device Type

R	Rim Exit Device
S	SVR Exit Device
C	CVR Exit Device
M	Mortise Exit Device

Lever

S	Sentinel
Q	Quest
E	Essen
ER	Essen Return

Handing

LHR	Left Hand Reverse
RHR	Right Hand Reverse

Finish

622	Flat Black
626	Satin Chrome

How to Order

EKE Electronic 5000

Cylinder

[Leave Blank]

For EKE1A Escutcheon

See Cylinders on page 107

For EKE1B Escutcheon

Pick one item from each category when ordering.

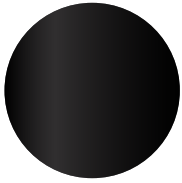
Example order: EKE1B5R-R-SLHR626-SC



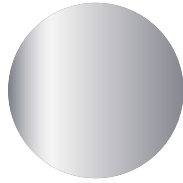
EKE Electronic 6000

ESCUTCHEON LEVER TRIM FOR
1000/8900/9700 SERIES EXIT DEVICES

Finishes



Flat Black
(622)

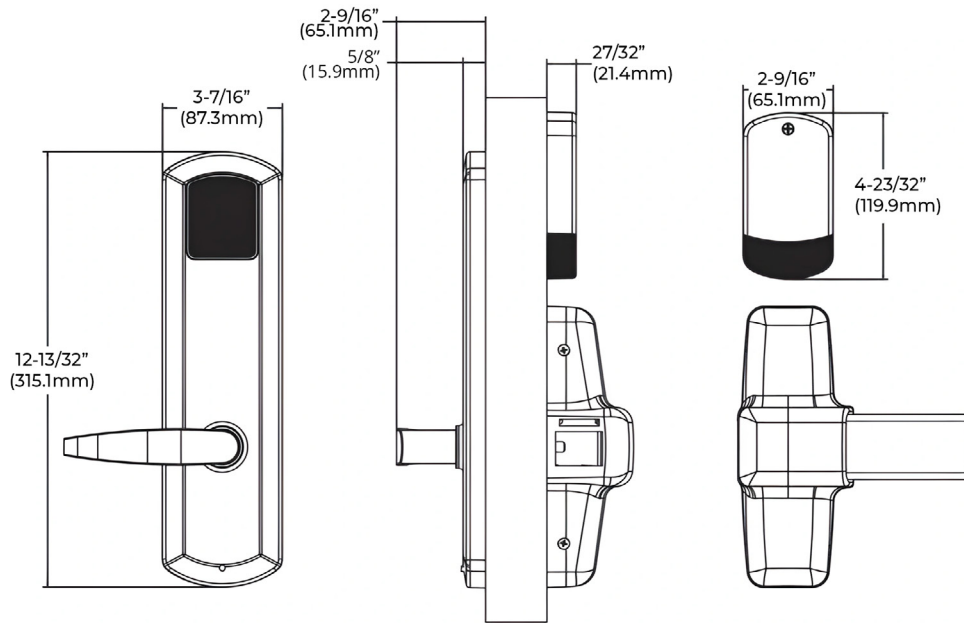


Satin Chrome
(626)

Other finishes available upon request

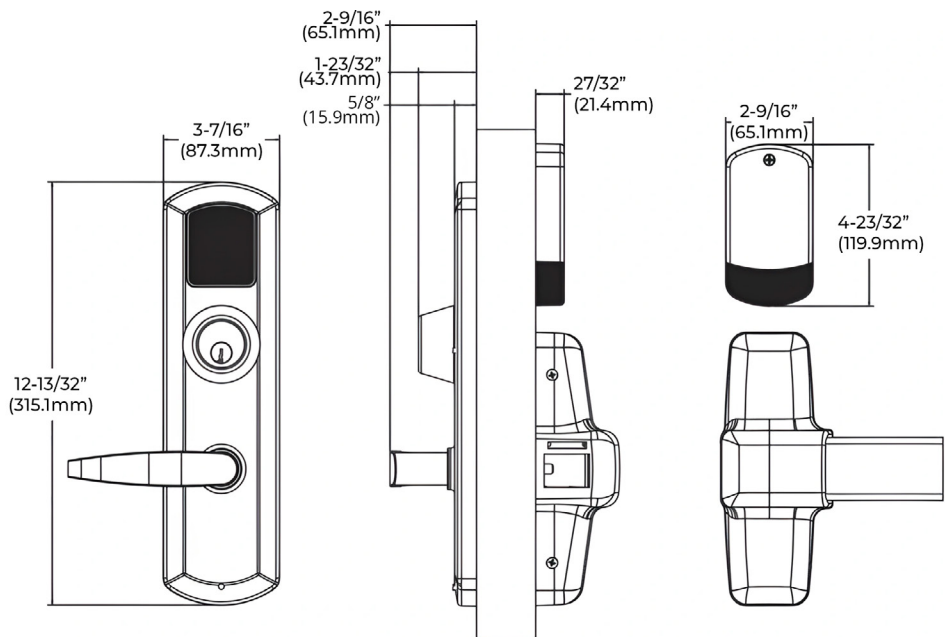
Finishes are for illustration only and may vary
from actual product provided

Dimensions



EKE Electronic 6000 1A without cylinder, Quest lever, left hand reverse shown

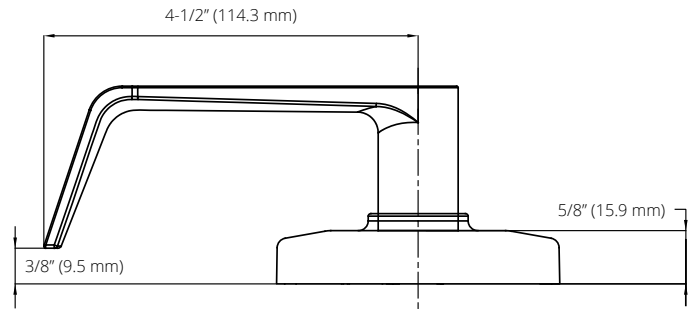
(Note: Exit device not included)



EKE Electronic 6000 1B with cylinder, Quest lever, left hand reverse shown

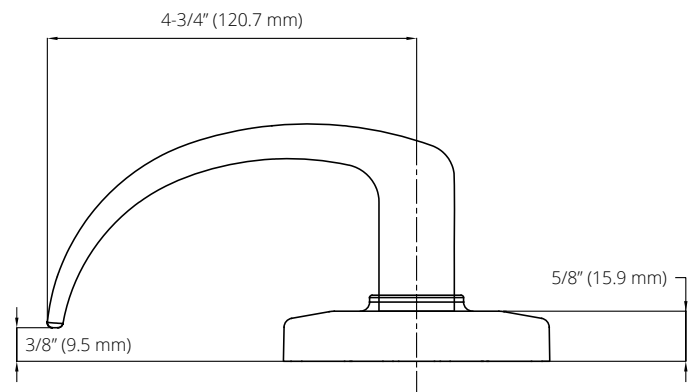
(Note: Exit device not included)

Levers



Sentinel

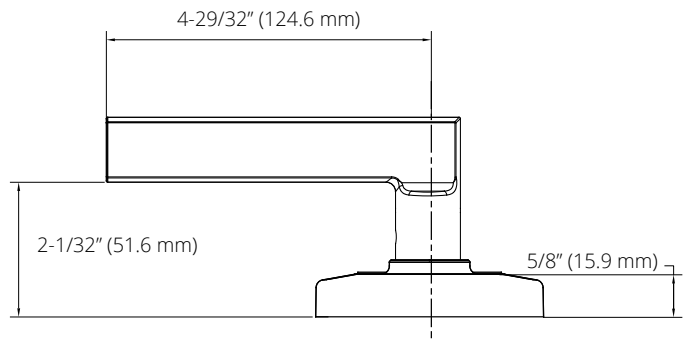
(S)



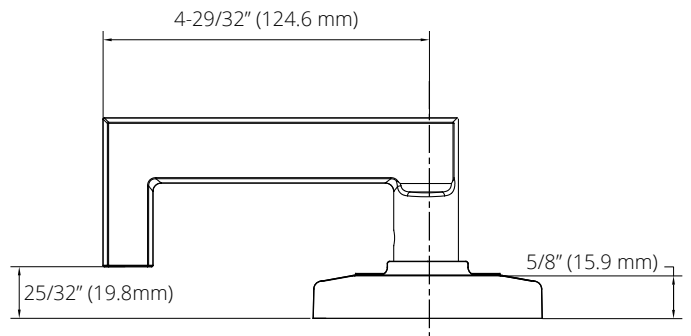
Quest

(Q)

Levers



Essen
(E)



Essen Return
(ER)

Cylinders

SC	6-pin with Schlage® "C" keyway, standard
SFIC6	6-pin IC core with Best® "A" keyway
SFIC7	7-pin IC core with Best "A" keyway
CLFIC	Corbin® large format IC, less core available
SLFIC	Schlage large format IC, less core available

KD standard, KA, MK, GMK, GGMK upon request

*Contact factory for SFIC core

How to Order

EKE Electronic 6000

Escutcheon

EKE1A	EKE Electronic, without Cylinder
EKE1B	EKE Electronic, with Cylinder

Model Number

6	6000, Maxx Access
---	-------------------

Exit Device Type

R	Rim Exit Device
S	SVR Exit Device
C	CVR Exit Device
M	Mortise Exit Device

Lever

S	Sentinel
Q	Quest
E	Essen
ER	Essen Return

Handing

LHR	Left Hand Reverse
RHR	Right Hand Reverse

Finish

622	Flat Black
626	Satin Chrome

How to Order

EKE Electronic 6000

Cylinder

[Leave Blank]

For EKE1A Escutcheon

See Cylinders on page 115

For EKE1B Escutcheon

Pick one item from each category when ordering.

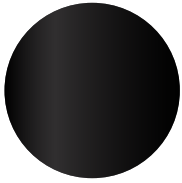
Example order: EKE1A6-R-SLHR626-SC



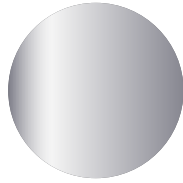
EKE Electronic 7000

ESCUTCHEON LEVER TRIM FOR
1000/8900/9700 SERIES EXIT DEVICES

Finishes



Flat Black
(622)

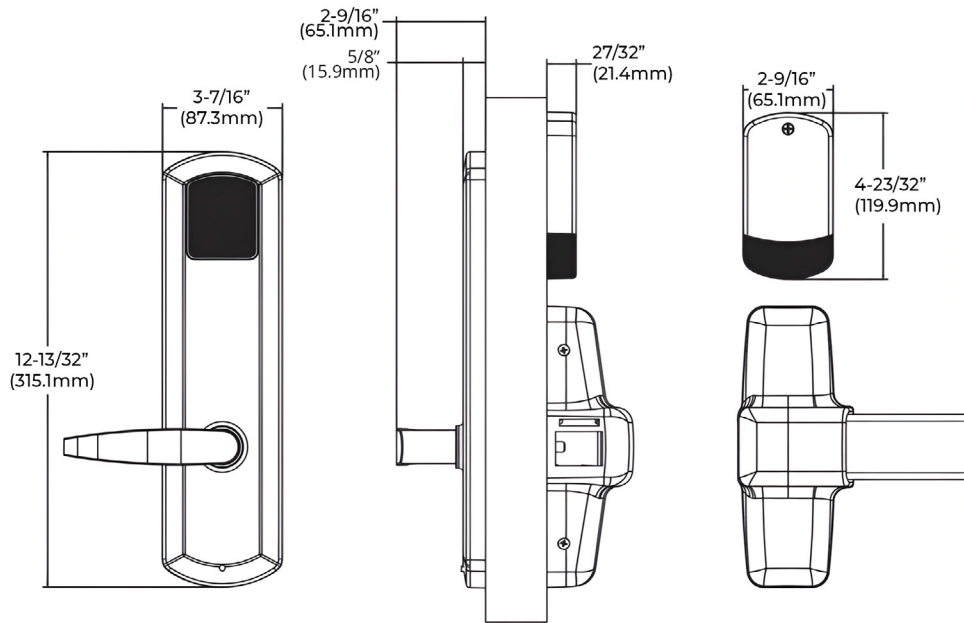


Satin Chrome
(626)

Other finishes available upon request

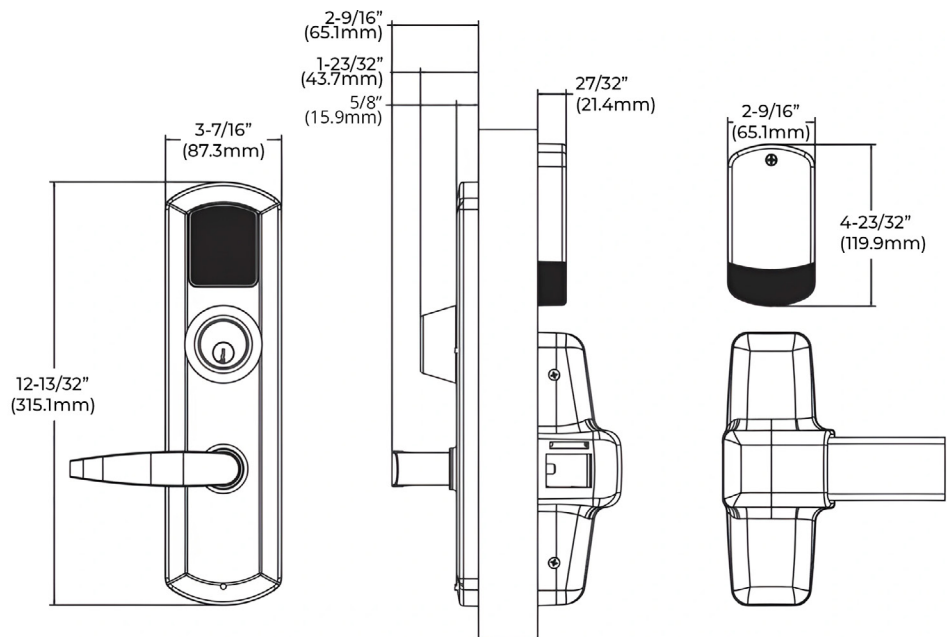
Finishes are for illustration only and may vary
from actual product provided

Dimensions



EKE Electronic 7000 1A without cylinder, Quest lever, left hand reverse shown

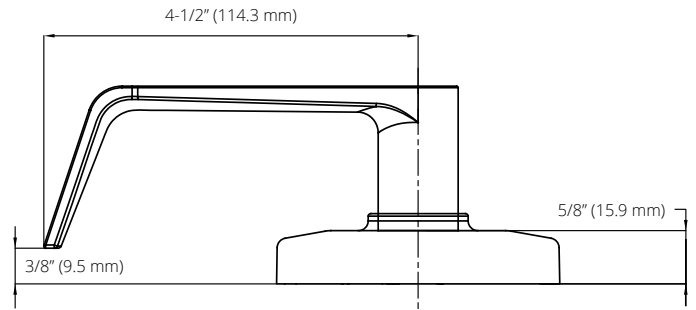
(Note: Exit device not included)



EKE Electronic 7000 1B with cylinder, Quest lever, left hand reverse shown

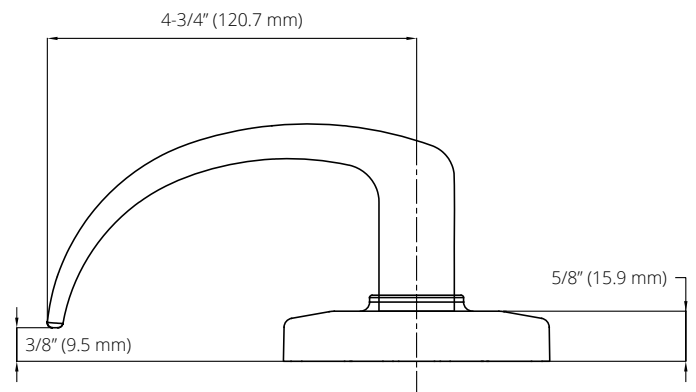
(Note: Exit device not included)

Levers



Sentinel

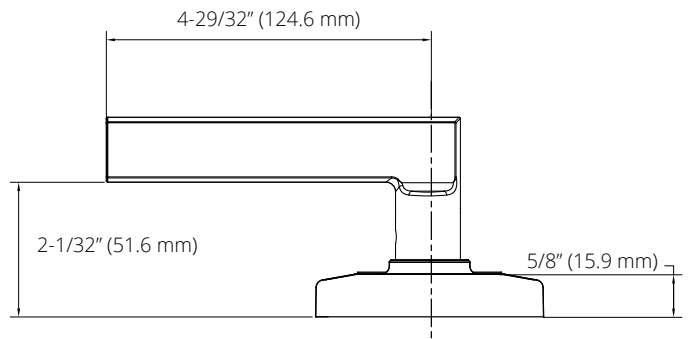
(S)



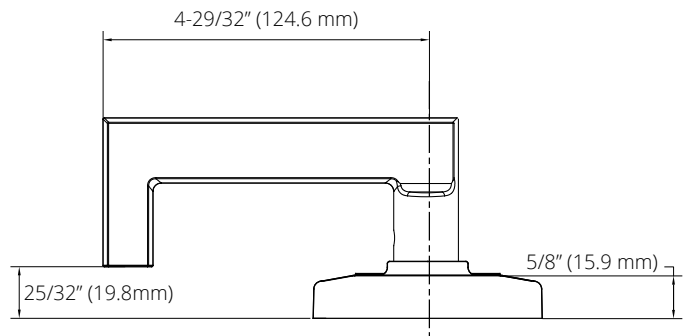
Quest

(Q)

Levers



Essen
(E)



Essen Return
(ER)

Cylinders

SC	6-pin with Schlage® "C" keyway, standard
SFIC6	6-pin small format IC, less core*
SFIC7	7-pin small format IC, less core*
CLFIC	Corbin® large format IC, less core
SLFIC	Schlage large format IC, less core

KD standard, KA, MK, GMK, GGMK upon request

*Contact factory for SFIC core

How to Order

EKE Electronic 7000

Escutcheon

EKE1A	EKE Electronic, without Cylinder
EKE1B	EKE Electronic, with Cylinder

Model Number

7	7000, AegisSecure System
---	--------------------------

Exit Device Type

R	Rim Exit Device
S	SVR Exit Device
C	CVR Exit Device
M	Mortise Exit Device

Lever

S	Sentinel
Q	Quest
E	Essen
ER	Essen Return

Handing

LHR	Left Hand Reverse
RHR	Right Hand Reverse

Finish

622	Flat Black
626	Satin Chrome

How to Order

EKE Electronic 7000

Cylinder

[Leave Blank]

For EKE1A Escutcheon

See Cylinders on page 123

For EKE1B Escutcheon

Pick one item from each category when ordering.

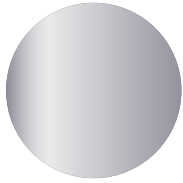
Example order: EKE1B7-R-SLHR626-SC



ED-MRX-A

LIGATURE RESISTANT ARCH TRIM FOR
9700 SERIES EXIT DEVICES

Finishes



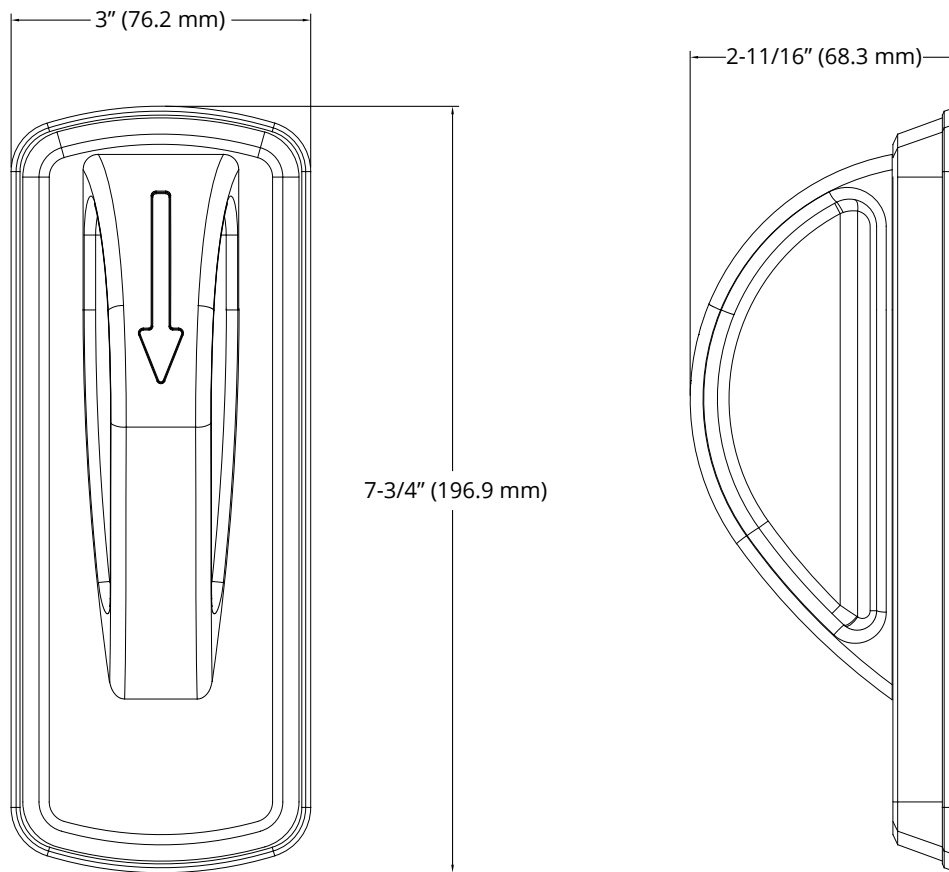
Satin Stainless Steel

(630)

Other finishes available upon request

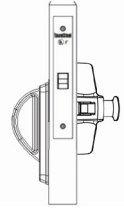
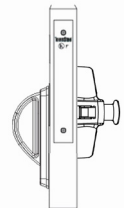
Finishes are for illustration only and may vary
from actual product provided

Trim Dimensions



ED-MRXA F01 (Passage/closet) function shown

Functions

Out	In	Series / Function	Type	ANSI No.	Description
		MRXA-01	Passage or Closet	F01	Latch bolt operated by lever from outside at all times. Exit device on inside.
		MRXA-41	Single Dummy	F41	Dummy trim on one side. Exit device on inside.

How to Order

ED-MRX-A Ligature Resistant Arch Trim

Trim

ED-MRX-A	Ligature Resistant Arch Trim for ED9700
----------	---

Function

See Functions on page 129

Exit Device Type

9700-36	9700 Rim Exit Device, for 36" Door
---------	------------------------------------

9700-48	9700 Rim Exit Device, for 48" Door
---------	------------------------------------

Handing

LHR	Left Hand Reverse
-----	-------------------

RHR	Right Hand Reverse
-----	--------------------

Pick one item from each category when ordering.

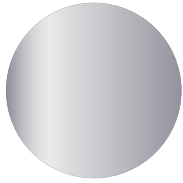
Example order: ED-MRX-A-01-9700-36-LHR



ED-CRXA

LIGATURE RESISTANT EXIT TRIM FOR
1100/8900/9700/9747 SERIES EXIT DEVICES

Finishes



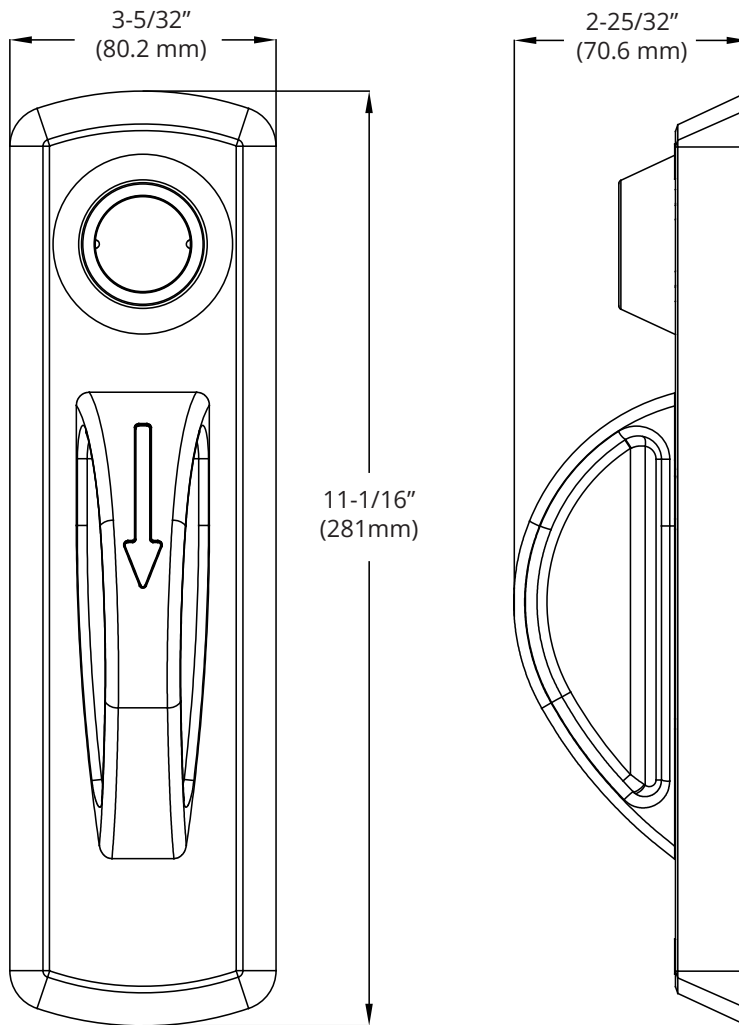
Satin Stainless Steel

(630)

Other finishes available upon request

Finishes are for illustration only and may vary
from actual product provided

Trim Dimensions

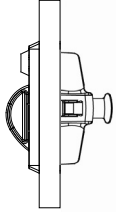
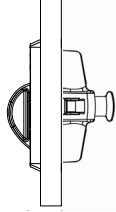


ED-CRXA F09 (Nightlatch) shown

Cylinders

SC	6-pin with Schlage® "C" keyway, standard
SFIC6	6-pin small format IC, less core*
SFIC7	7-pin small format IC, less core*
IC6	6-pin small format IC core with Best "A" keyway
IC7	7-pin small format IC core with Best "A" keyway

Functions

Out	In	Series / Function	Type	ANSI No.	Description
		CRXA-09	Nightlatch	F09	Entrance by lever only when released by key. Key removable only when locked.
		CRXA-14	Passage	F14	Entrance by trim when latch is released by lever. Always active no cylinder.

How to Order

ED-CRXA

Trim

ED-CRXA	Ligature Resistant Exit Trim
---------	------------------------------

Function

See Functions on page 135

Exit Device Type

1100	1100 Rim Exit Device
8900	8900 Rim Exit Device
9700	9700 Rim Exit Device
9747	9747 Concealed Vertical Rod Exit Device

Exit Device Width

36	36"
48	48"

Cylinders

[Leave Blank]	For ED-CRXA with Passage Function
See Cylinders on page 134	For ED-CRXA with Nightlatch Function

Pick one item from each category when ordering.

Example order: ED-CRXA-09-9700-36-SC



17901 Railroad Street
City of Industry, CA
91748

877-858-0888
info@townsteel.com

townsteel.com