

e-KONTOS 2900 Series



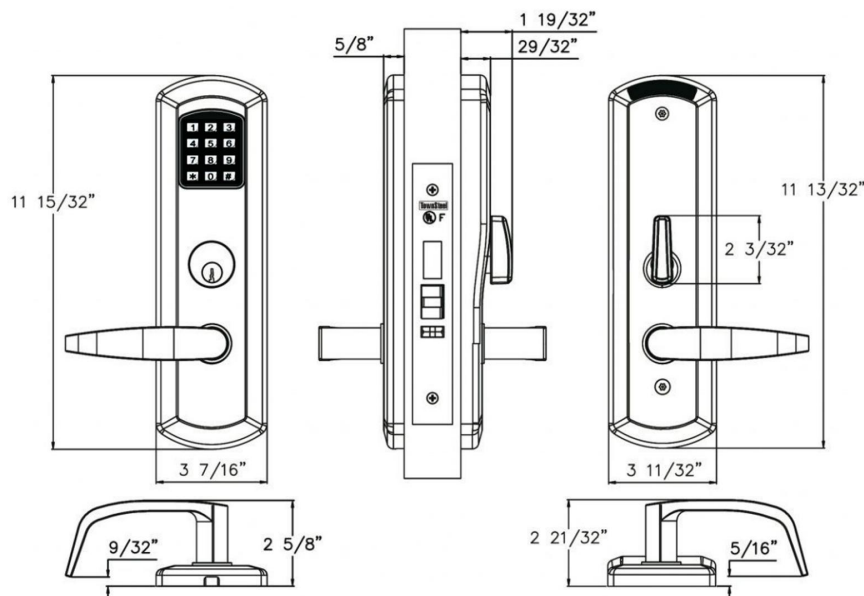
The e-Kontos 2900 is a standalone ANSI/BHMA Certified Grade 1 smart motorized mortise lock with a weatherproof all-metal keypad, ideal for key-free, temporary privacy sessions, such as single-occupancy bathrooms, conference rooms and rest areas.

The lock is in Locked Mode by factory default and can be programmed into Passage Mode through the keypad. In Locked Mode, only individuals with valid codes can unlock the lock. In Passage Mode, the lock will stay unlocked.

Once inside, the user extends the deadbolt using the inside thumb turn and automatically disables the keypad from allowing other users to enter. The red LED on the exterior of the lock will blink indicating that the room is occupied. The lock is automatically set back into the original mode when the user exits.

Master, Sub-Master, Manager Codes, or a key can always override this privacy function.

Dimensions



e-KONTOS 2900 Series

Specifications

Lockbody	Clutched, Rigid
Lever	Sentinel or Quest (Lever return less than 1/2")
Finish	622, 626 *Consult factory for other finish options
Backset	2-3/4" standard
Door thickness	1-3/4", other upon request
Dead bolt	Stainless steel, 1" throw, anti-saw hardened pins
Latch bolt	Stainless steel, 3/4" projection, split
Handing	Field reversible
Warranty	2-year limited for electronic / 10-year limited for mechanical

Code Compliance

ANSI/BHMA A156.13	Grade 1 certified
ANSI/BHMA A156.25	Meets Industry Standards
UL/ULC	UL10C 3-hour rated
BAA	Meets guidelines of the Buy American Act
FCC	FCC Part 15 certified

How To Order

Example: **EKO2900** - **R** - **S** - LH - **626** - **SC**

Series	e-Kontos 2900
Lockbody	C:Clutched / R: Rigid
Lever Style	S: Sentinel / Q: Quest (Consult factory for other options)
Handing	Field reversible
Finish	622 / 626 (Consult factory for other finish options)
Cylinder	SC: Schlage® "C" keyway, brass 6 pin, standard SFIC6: Best® Small format IC 6 pin less core SFIC7: Best® Small format IC 7 pin less core SLFIC: Schlage® Large Format IC less core CLFIC: Corbin® Large Format IC less core HS6: High security cylinder available, TownSteel® "L" keyway, 6 pin HS7: High security SFIC core available, TownSteel® "L" keyway, 7 pin *KD, KA MK GGMK and construction keying available