

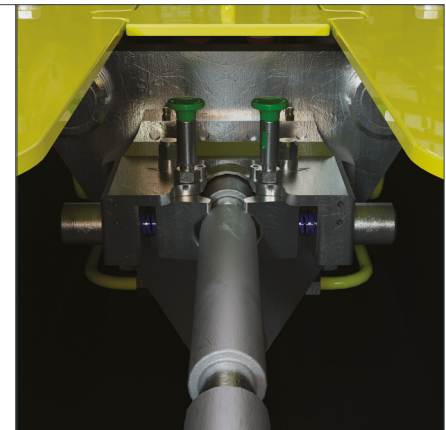
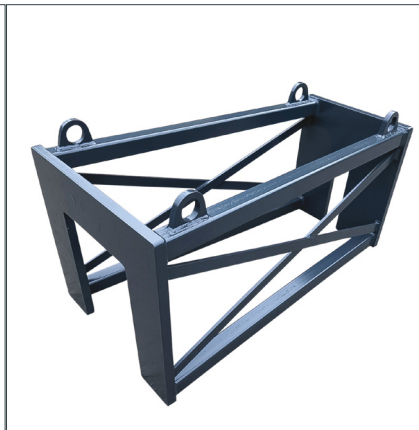
# ND50

## HYDRO-STATIC PIPEBURSTER

**50 tons of pulling power**

**2 inch. → 10 inch. operational range**

**Pipe materials: Can operate in all pipe materials**



### Cutting head

Eccentric one-blade cutting head, designed for steel, cast and ductile.

### Extension frame

ND50 heavy duty extension frame.

### ND50 jaw-design

Double jaw system creating constant tension during pull-back.

Specifications	Pulling unit	Power pack	Steel rods
<b>Pulling force</b>	50 tons		
<b>Measurements</b>	5.5 x 1.5 x 1.7 ft.	4.0 x 3.5 x 4.0 ft.	1.44 x 40 inch.
<b>Weight</b>	1,300 lbs.	1,800 lbs.	26 lbs.
<b>Engine</b>		Kubota 3-cyl. diesel 25 bhp. / 18.60 kW. Fuel cap. 9.25 gal. Fuel consumption: 1.3 gal. / hr.	
<b>Hydraulic system</b>	3 cylinders	Max op. pressure: 250 bar / 3,625 psi. Engine preset: 2,600 rpm. / min. 0.55 in <sup>3</sup> gear pump: 6.18 gal. / min. 1.28 in <sup>3</sup> gear pump: 14.4 gal. / min.  Variable pump flow: <120 bar / 1,740 psi. 20.6 gal. / min. >120 bar / 1,740 psi. 6.18 gal. / min.	
<b>Operational speed</b>	Up to 3.3 ft. / min. Cylinder stroke: 1.6 ft.		
<b>Operational range, Existing pipe diameter</b>	3 inch. → 10 inch.		



### **Solid steel rods**

The ND50 composite steel rod system, is designed for high grade safety margin

## **Designer's note:**

*"Versatile midrange machine.*

*The pulling force of this model makes it the strongest in its class. Anything from asbestos to ductile is managed by the ND50."*



### **Hydraulic Power Pack**

ND50 power pack, 25 bhp. diesel engine. 3,625 psi op. pressure.