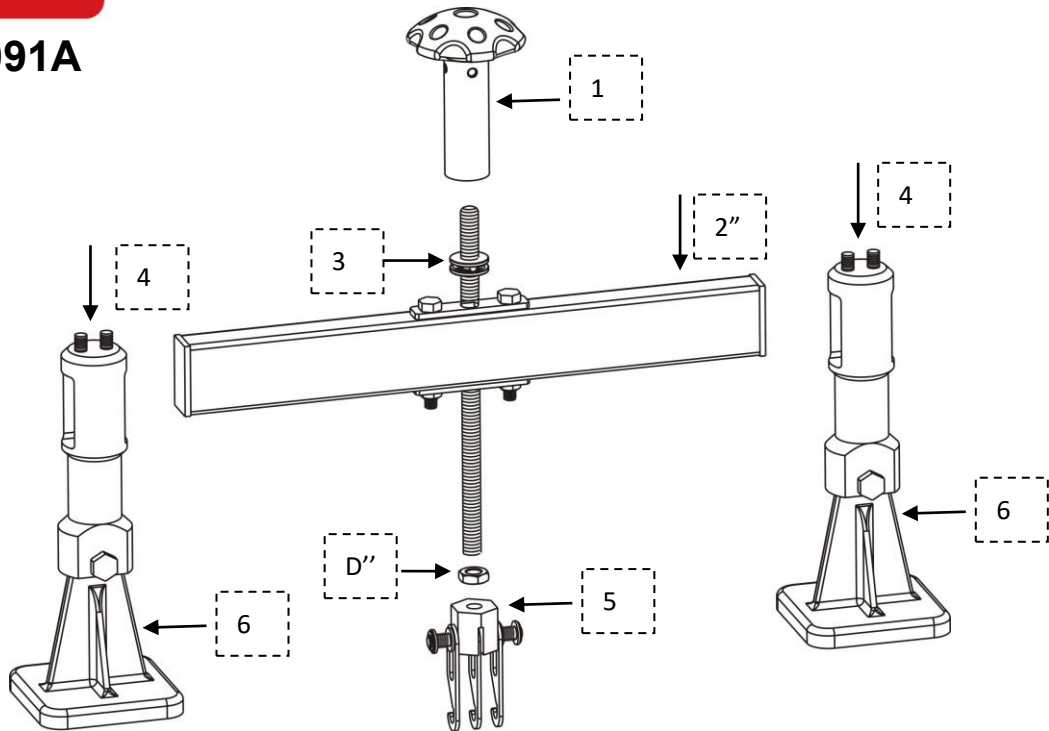




ASSEMBLY INSTRUCTIONS

UNI-1091A



No.	Description	Part Number	Qty
1	Hand wheel crank	UNI-1091-04	1
2	Cross bridge 16"	UNI-1091A-02	1
3	Thrust bearing	UNI-1092-07	1
4	Support leg	UNI-1091A-01	2
5	claw support & rod	UNI-1091A-03	1
6	Bridge base support foot	UNI-1092-12	2
Hardware: D=M6 lock washer (1x)			