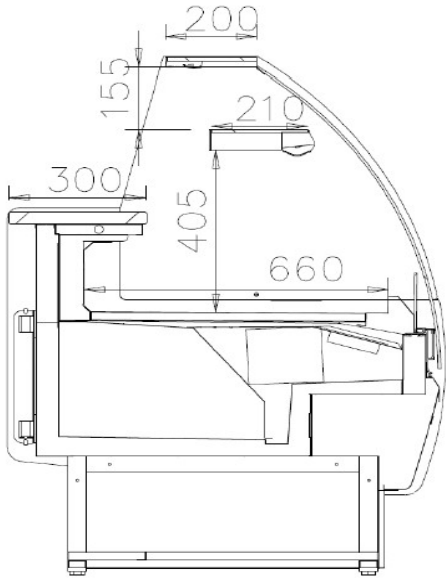
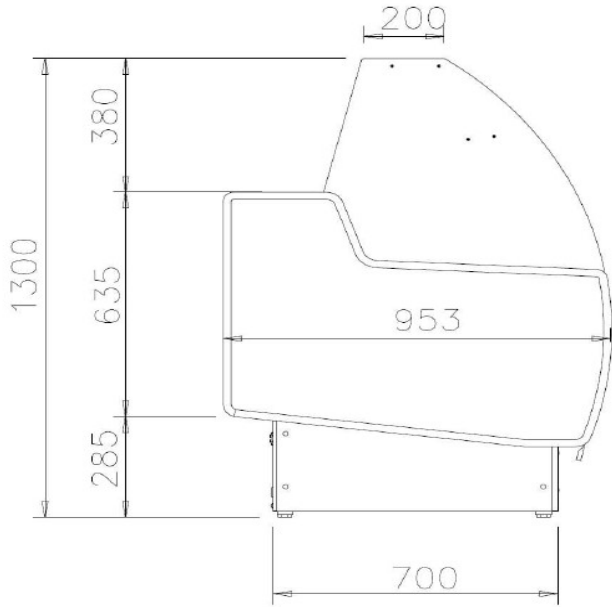


Data Sheet

Model:

VMB_RU+

VMB_RU+



GENERAL DATA

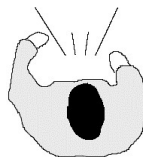
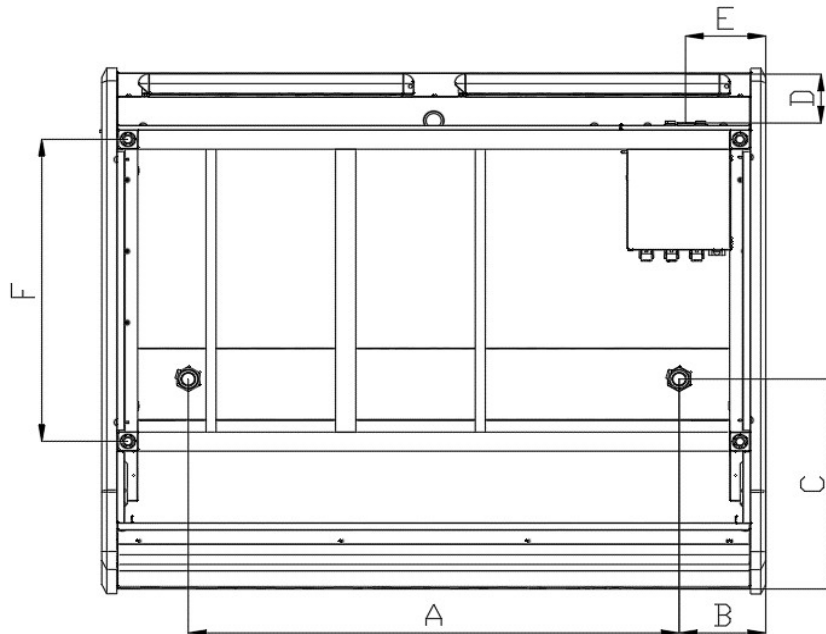
	MODEL					
	VMB9RU+	VMB12RU+	VMB15RU+	VMB18RU+	VMB25RU+	
	-1°C/+5°C	-1°C/+5°C	-1°C/+5°C	-1°C/+5°C	-1°C/+5°C	
LENGTH [mm]	938	1250	1562	1875	2500	
SIDE WALL THICKNESS [mm]	30+30					
NUMBER OF SELVES	1	1	1	1	1	
ELECTRONIC CONTRL	DIGITAL					
REFRIGERATED AREA [m ²]	0,82	1,09	1,36	1,63	2,18	
USEABLE VOLUME [lts.]	205	274	342	411	548	
WEIGHT [kg]	187	200	253	295	360	
DIMENSIONS IN TRANSPORT [mm]	1100 X 1015 X 1535	1470 X 1100 X 1430	1740 X 1020 X 1555	2080 X 1040 X 1550	2650 X 1020 X 1520	

INSTALLATION DETAILS

MODELO	VMB9RU+	VMB12RU+	VMB15RU+	VMB18RU+	VMB25RU+
A [mm]	658	970	1282	1592	2220
B [mm]	171	171	171	171	171
C [mm]	452	452	452	452	452
D [mm]	111	111	111	111	111
E [mm]	189	189	189	189	189
F [mm]	635	635	635	635	635

DATA TABLE

DRAINAGE | WHEELS POSITION



TECHNICAL CONFIGURATION

		M1 [-1°C/+5°C]
INTERIOR TEMPERATURE	SET POINT	2°C
	DIFFERENTIAL	4°C
DEFROSTING SYSTEM		NATURAL
NUMBER OF DEFROSTS / 24h		4
END OF DEFROSTING TEMPERATURE		8°C
MAXIMUM DEFROSTING TIME		30'

In compliance with EN ISO23953-1/-2

Ambient Temp.	Relative Humidity	Climatic Class
+25 °C	60 %	3

EVAPORATION	VENTILATED
CONDENSATION	VENTILATED
EVAPORATION WATER COLLECTION TRAY	AUX.

VOLTAGE	220 V/50 Hz
SOUND LEVEL	63dB

INSTALLATION DATA

BASE EQUIPMENT		MODEL				
		VMB9RU+	VMB12RU+	VMB15RU+	VMB18RU+	VMB25RU+
Length (mm)		998	1310	1622	1935	2560
COMPRESSOR	N°	1	1	1	1	1
	W	336	336	440	485	567
	A	3,04	3,04	2,9	2,70	2,7
REFRIGERANT	Tipo	R-290				
	gr	80	80	120	145	145
COIL FANS	N°	1	1	2	2	3
	W	4,8	4,8	4,8	4,8	4,8
	A	0,04	0,04	0,04	0,04	0,04
CONDESATOR FANS	N°	1	1	2	2	2
	W	25	25	25	25	25
	A	0,425	0,425	0,425	0,425	0,425
CANOPY LIGHTING	W	13,5	18,0	23,0	28,0	38,0
	A	0,06	0,10	0,11	0,13	0,17
POWER	W	379	384	523	573	669
	A	3,57	3,61	3,94	3,76	3,84
ENERGY CONSUMPTION	kWh/24h	5,92	5,99	8,15	8,93	10,44

