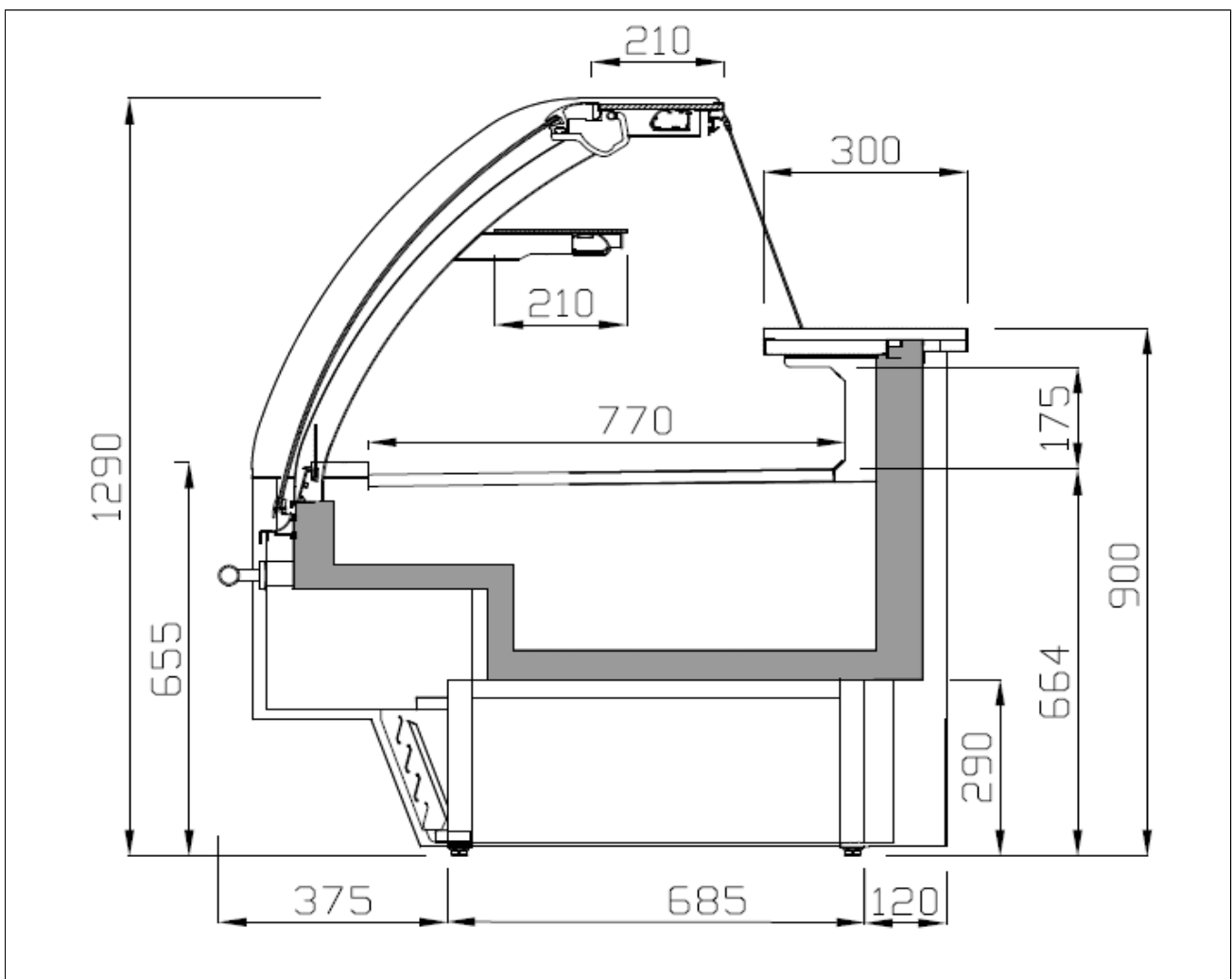
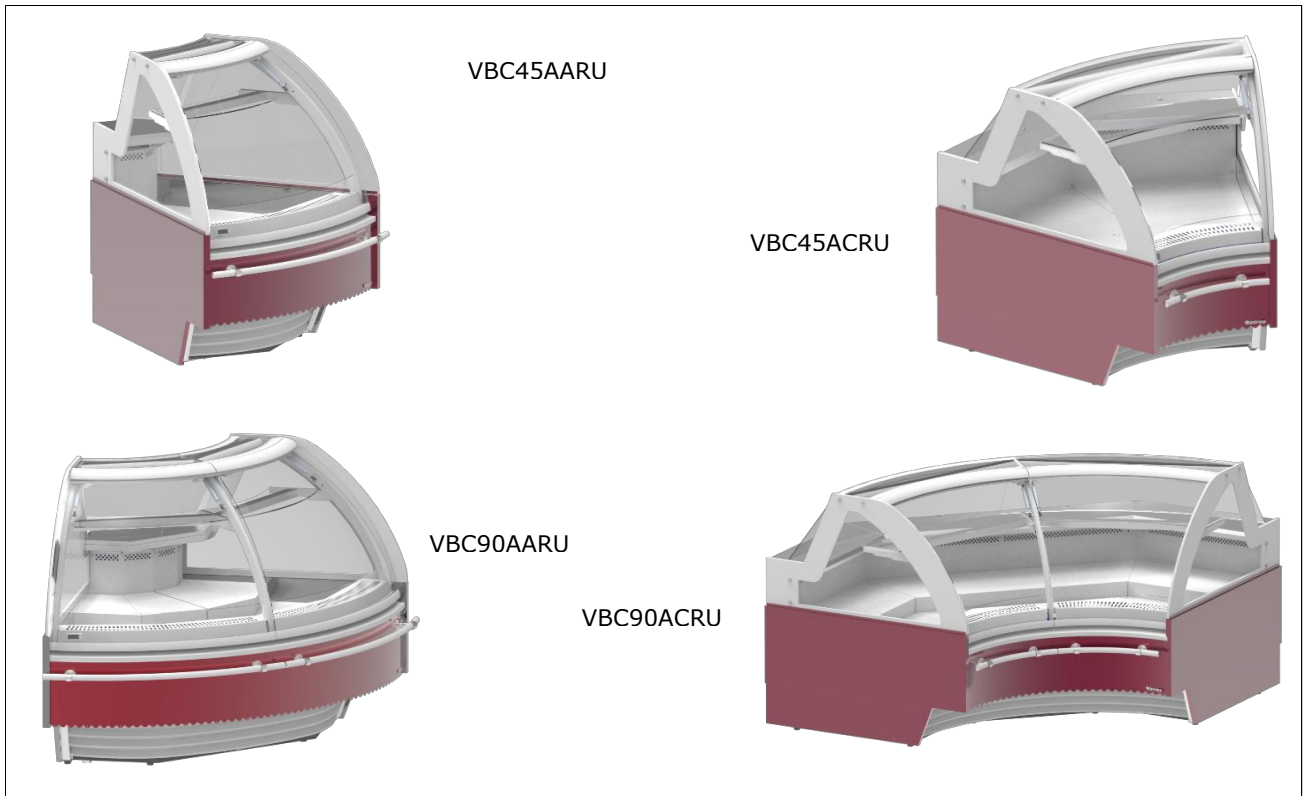


Data Sheet

Model:

VBC_90_45_RU

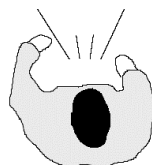
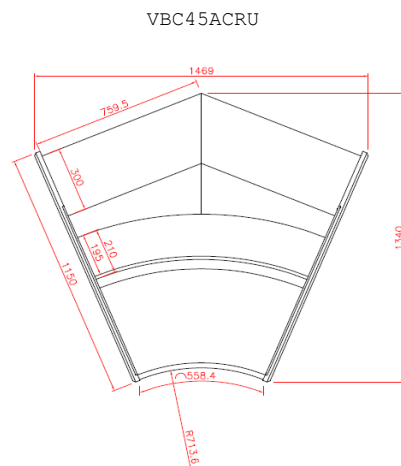
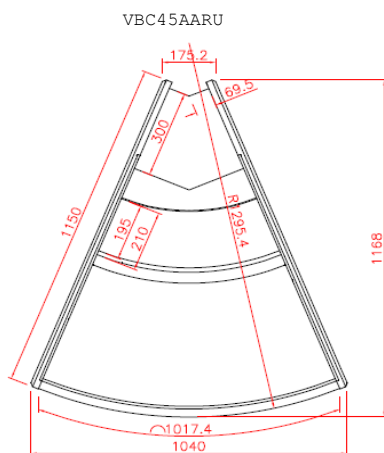
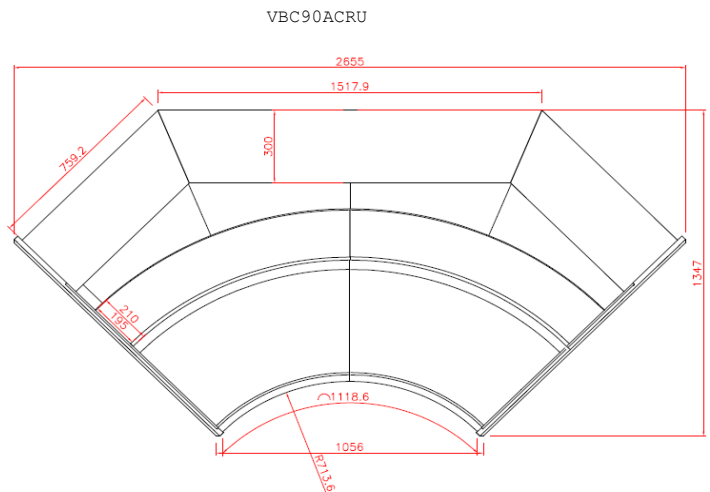
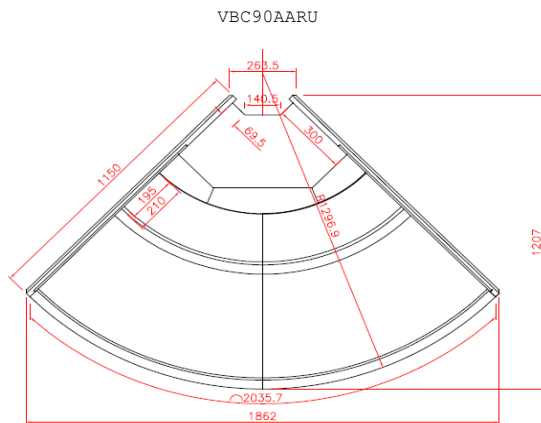
+



GENERAL DATA

	MODEL			
	VBC90AARU+	VBC90ACRU+	VBC45AARU+	VBC45ACRU+
	M1	M1	M1	M1
SIDE WALL THICKNESS (mm)	30+30			
ELECTRONIC CONTROL	DIGITAL			
REFRIGERATED AREA (m ²)	0,81	1,58	0,41	0,79
USEABLE VOLUME (lts.)	232,47	453,46	117,67	226,73
TDA - AREA TOTAL DISPLAY (m ²)	N/A	N/A	N/A	N/A
WEIGHT (kg)	153	203	108	139
DIMENSIONS IN TRANSPORT (mm)	1995 X 1295 X 1555	2795 X 1495 X 1555	1295 X 1055 X 1555	1595 X 1495 X 1555
REAR SLIDING DOORS	OPTIONAL			

INSTALLATION DETAILS



TECHNICAL CONFIGURATION

		M2 [-1°C/+7°C]
INTERIOR TEMPERATURE	SET POINT	2°C
	DIFFERENTIAL	2°C
DEFROSTING SYSTEM		HOT GAS
NUMBER OF DEFROSTS / 24h		4
END OF DEFROSTING TEMPERATURE		8°C
MAXIMUM DEFROSTING TIME		15'

In compliance with EN ISO23953-1/-2

Ambient Temp.	Rel. Humidity	Climatic Class
+25 °C	60 %	3

EVAPORATION	VENTILATED
CONDENSATION	VENTILATED
EVAPORATION WATER COLLECTION	AUX.

VOLTAGE	220 V/50 Hz
SOUND LEVEL	<70

INSTALLATION DATA

BASE EQUIPMENT		MODEL			
		VBC90AARU+	VBC90ACRU+	VBC45AARU+	VBC45ACRU+
COMPRESSOR	N°	1	1	1	1
	W	430	473	330	430
	A	2,0	2,2	1,5	2,0
REFRIGERANT	Tipo	R290			
	gr	105	120	55	90
COIL FANS	N°	1	2	1	1
	W	10	10	10	10
	A	0,05	0,05	0,05	0,05
CONDENSATOR FANS	N°	1	2	1	1
	W	25	25	25	25
	A	0,1	0,1	0,1	0,1
LIGHTING	W	24	29	17	23
	A	0,11	0,13	0,08	0,10
EVAPORATION HEATERS (*)	W	450	450	450	450
	A	2	2	2	2
POWER	W	489	572	382	488
	A	2,2	2,6	1,7	2,2
ENERGY CONSUMPTION	kWh/24h	9,6	11,3	7,6	9,6

[*] NOTE: The equipment requires two independent power points, one for the base unit and one for the evaporative tray.

OPTIONAL EQUIPMENT		MODEL			
		VBC90AARU+	VBC90ACRU+	VBC45AARU+	VBC45ACRU+
SCC "CONDENSATION CONTROL SYSTEM"	W	14	14	14	14
	A	0,14	0,14	0,14	0,14