

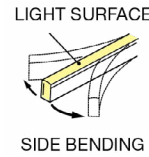
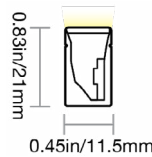


VIVID S160: SILICONE - 24V

Indoor & Outdoor Rated Linear Flex Profile - Static Whites & Colors



PROFILE CAPABILITIES



CERTIFICATIONS & FEATURES*



TEMPERATURES

AMBIENT OPERATING TEMPERATURE:

8W/m: -40°F to 140°F (-40°C to 60°C)
12W/m: -40°F to 131°F (-40°C to 55°C)
15W/m: -40°F to 113°F (-40°C to 45°C)

MAX MOUNTING SURFACE TEMPERATURE:

185°F (85°C)

HUMIDITY (NON-CONDENSING):

0-95%

AMBIENT INSTALLATION TEMPERATURE:

-40°F to -140°F (-40°C to -60°C)

THERMAL MANAGEMENT:

Free Air Convection

FIXTURE STORAGE TEMPERATURE:

-40°F to 140°F (-40°C to 60°C)

FIXTURE ORDER CODE

E		A				B		
INPUT CONNECTORS	SERIES	MATERIAL	PROFILE	BENDING	JACKET/BASE + LENS COLOR	LED FUNCTION	LED COLOR	CHIP + CRI
See Page 6 to select input connector	V = Vivid	1 = Silicone	C = S160	1 = Side	W = White + Diffused D = Black + Black R = Red + Red C = Green + Green L = Blue + Blue	1 = Static	A = Amber B = Blue C = Green E = Red H = 2200K K = 2600K J = 2700K L = 3000K M = 3500K N = 4000K Z = 4200K Q = 5700K	1 = Epistar SMD LED Chip Colors 2 = Epistar SMD LED Chip + CRI80 Whites
C		D	E		F	G		
POWER	VOLTAGE + CIRCUIT TYPE**	ORDER UNIT LENGTH	OUTPUT CONNECTOR		MOUNTING PROFILE	MOUNTING ACCESSORIES	POWER SUPPLIES & CONTROLS:	
D = 2.43W/ft (8W/m) Red Amber G = 3.66W/ft (12W/m) Blue Green Whites	2C = 24V DC CR	D = 2.19in (55.6mm) Black + Black (Jackets + Lens) F = 3.28in (83.3mm) Blue Green Whites H = 4.92in (125mm) Red Amber	See Page 6 to select output connector		See Page 13 to select mounting profiles	See Page 19 to select accessory	By Others By GLLS	

*Maximum IP and IK ratings achievable with appropriate accessories, and cable diameter: silicone static = 0.26in (6.5mm). **The Current Regulated (CR) Integrated Circuit extends max run length. Do not use a CC or CR power supply, as it may cause damage.

VIVID S160: SILICONE - 24V

Indoor & Outdoor Rated Linear Flex Profile - Static Whites & Colors



A

MECHANICAL

ASSEMBLY

Fixtures are carefully assembled using high-quality components to ensure durability and performance. Each unit is built to meet strict specifications, with attention to electrical safety, thermal management, and optical alignment.

OVERALL & CUTTING LENGTHS

Fixtures feature defined overall lengths and specific cutting increments for easy customization. Cutting must be done at marked points to maintain proper function and consistent light output.

JACKET COLOR

The white, black or color jackets, with diffused white, black or color lens covers provide a clean, uniform appearance while softening light output for reduced glare. It enhances visual comfort and delivers smooth, even illumination ideal for architectural and display applications.

BENDING RADIUS

Do not bend smaller than allowed minimum bend diameter, or may cause damage to the light & void warranty.

TESTING

OPTICAL TESTING

TEST	RESULTS
Spectrum Analysis	IES LM 79 (Lumen, CCT, CRI, XY, SDCM, Wavelength)
Photometric Distribution	IES LM 79
Lumen Maintenance & Lifetime	IES LM 84 & IES TM28

ENVIRONMENTAL TESTING

TEST	RESULTS
Salt Water Immersion	IEC60598-1, Saltinity 4%
Salt Spray Test	IEC60068-2-11
Outdoor Exposure	Manufacturer-defined
Flame Resistance	UL94
UV Exposure	ASTMG 154, ISO 4892-3, UVA @ 340nm & 55
IPX8	EN 60598-1: 2015+A1:2018 Clause 9.2.2 & 9.2.8
Temperature Shock(Silicone)	Manufacturer-defined, -40°C - 60°C (typical temperature range)
Constant Temperature	Manufacturer-defined
12mm Needle Flame Test (Silicone)	IEC60695-11-5
650 Glow-wire Test (Silicone)	IEC60695-2-10

OPERATION

LIGHT ENGINE

Static Pulse Width Modulation (PWM) light engines deliver stable, flicker-free light at a fixed brightness. They offer consistent color and reliable performance for long-term applications.

ELECTRICAL

Designed to meet UL, CE, and RoHS standards, they feature overload, overvoltage, and short-circuit protection, along with low EMI and efficient thermal management for safe, reliable operation.

DIMMING

Dimming of 24V PWM fixtures is achieved via the driver or decoder used in the system. Depending on the selected driver/decoder, control options can include 0-10V, DMX, or DALI, enabling smooth, flicker-free dimming while maintaining consistent color and performance. Note: DMX and DALI are supported at the system level, not natively by the fixture.

GENERAL

WARRANTY

Limited 10-Year Warranty against defects in materials and manufacturing. Coverage applies to properly installed and maintained products. Damage from misuse or improper installation is not covered. G.L.L.S. may repair, replace, or issue credit for eligible claims.

LUMEN MAINTENANCE

G.L.L.S. static lighting fixtures are tested to IES LM-84 and projected with IES TM-28 to ensure consistent lumen maintenance. Fixtures are designed to retain at least 70% of their initial brightness (L70) over a 10-year lifespan when properly installed and operated.

CERTIFICATION

Tested to UL2108 Class 2 by Underwriters Laboratory for use in the USA and Canada. Exceeds ANSI C78.377A, CE, and RoHS standards. Must be used under Class 2 ratings to maintain certification.

UL Certificate #: E347880

Report Reference #: E347880-20130503

TEMPERATURE TESTING

TEST	RESULTS
Normal Temperature Test	UL1598 & UL2388 & IEC60598-1 & IEC60598-2-21
Abnormal Operation Test	UL1598 & UL2388 & IEC60598-1 & IEC60598-2-21

DURABILITY TESTING

TEST	RESULTS
Bending Test	Manufacturer-defined, 500 cycles
Tensile Test	Manufacturer-defined, > The weight of light in max.
Twist Test	Manufacturer-defined, >200 cycles
Ball Impact	UL1598 & UL2388 & IEC60598-1 & IEC60598-2-21
IK	IEC62262



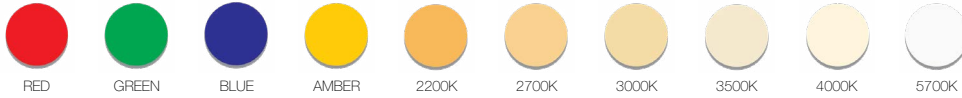
VIVID S160: SILICONE - 24V

Indoor & Outdoor Rated Linear Flex Profile - Static Whites & Colors



B

LED COLORS



JACKET + LENS COLORS



FIXTURE SPECIFICATIONS & OPTICAL PARAMETERS - WHITE JACKET + DIFFUSED LENS

COLOR	LED COUNT	1 CONNECTOR FULL/DYNAMIC*	2 CONNECTORS FULL/DYNAMIC*	UL CLASS 2 MAX RUN	FIXTURE COLOR TOLERANCE**	WAVELENGTH/CCT	LED CRI	LED COLOR TOLERANCE	LUMEN COUNT	LEGACY ORDER CODE
RED	22 LEDs/ft (72 LEDs/m)	65.6ft (20m) / N/A	131.2ft (40m) / N/A	40ft (12m)	N/A	618-624nm	N/A	3nm	39.63lm/ft (130lm/m)	SF11B1012WERED24DC
GREEN	22 LEDs/ft (72 LEDs/m)	49.2ft (15m) / N/A	98.4ft (30m) / N/A	26ft (8m)	N/A	522-528nm	N/A	3nm	107lm/ft (350lm/m)	SF11B1012WEGRE24DC
BLUE	22 LEDs/ft (72 LEDs/m)	49.2ft (15m) / N/A	98.4ft (30m) / N/A	26ft (8m)	N/A	468-474nm	N/A	3nm	21.34lm/ft (70lm/m)	SF11B1012WEBLU24DC
AMBER	22 LEDs/ft (72 LEDs/m)	65.6ft (20m) / N/A	131.2ft (40m) / N/A	40ft (12m)	N/A	588-594nm	N/A	3nm	39.63lm/ft (130lm/m)	SF11B1012WEAMB24DC
2200K	22 LEDs/ft (72 LEDs/m)	49.2ft (15m) / N/A	98.4ft (30m) / N/A	26ft (8m)	3 SDCM	2238 ± 66K	82-87	2.3SDCM	97.56lm/ft (320lm/m)	SF11B1012WE22K24DC
2700K	22 LEDs/ft (72 LEDs/m)	49.2ft (15m) / N/A	98.4ft (30m) / N/A	26ft (8m)	3 SDCM	2725 ± 85K	82-87	2.3SDCM	110lm/ft (360lm/m)	SF11B1012WE27K24DC
3000K	22 LEDs/ft (72 LEDs/m)	49.2ft (15m) / N/A	98.4ft (30m) / N/A	26ft (8m)	3 SDCM	3045 ± 105K	82-87	2.3SDCM	122lm/ft (400lm/m)	SF11B1012WE30K24DC
3500K	22 LEDs/ft (72 LEDs/m)	49.2ft (15m) / N/A	98.4ft (30m) / N/A	26ft (8m)	3 SDCM	3465 ± 245K	82-87	2.3SDCM	122lm/ft (400lm/m)	SF11B1012WE35K24DC
4000K	22 LEDs/ft (72 LEDs/m)	49.2ft (15m) / N/A	98.4ft (30m) / N/A	26ft (8m)	3 SDCM	3985 ± 150K	82-87	2.3SDCM	122lm/ft (400lm/m)	SF11B1012WE40K24DC
5700K	22 LEDs/ft (72 LEDs/m)	49.2ft (15m) / N/A	98.4ft (30m) / N/A	26ft (8m)	3 SDCM	5669 ± 305K	82-87	2.3SDCM	122lm/ft (400lm/m)	SF11B1012WE57K24DC

*Run length is based on a static full load with voltage drop calculated using a 0.3 m (0.98 ft) cable with silicone seamless connectors, excluding connector length—refer to specifications for details. For runs over 65.62ft (20m), recommended to limit each to 65.62ft (20m) for easier handling. **Silicone products maintain ≤3 SDCM within a single production run and <5 SDCM between production runs.



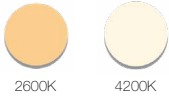
VIVID S160: SILICONE - 24V

Indoor & Outdoor Rated Linear Flex Profile - Static Whites & Colors



B

LED COLORS



JACKET + LENS COLORS***



FIXTURE SPECIFICATIONS & OPTICAL PARAMETERS - BLACK JACKET + BLACK LENS

COLOR	LED COUNT	1 CONNECTOR FULL/DYNAMIC*	2 CONNECTORS FULL/DYNAMIC*	UL CLASS 2 MAX RUN	FIXTURE COLOR TOLERANCE**	WAVELENGTH/ CCT	LED CRI	LED COLOR TOLERANCE	LUMEN COUNT	LEGACY ORDER CODE
2600K	32 LEDs/ft (108 LEDs/m)	49.2ft (15m) / Not Recommended	98.4ft (30m) / Not Recommended	26ft (8m)	3 SDCM	2605 ± 145K	82-87	<2.3SDCM	21lm/ft (70lm/m)	SF11B1012WE26K24DCBB
4200K	32 LEDs/ft (108 LEDs/m)	49.2ft (15m) / Not Recommended	98.4ft (30m) / Not Recommended	26ft (8m)	3 SDCM	4200 ± 275K	82-87	<2.3SDCM	20lm/ft (65lm/m)	SF11B1012WE42K24DCBB

*Run length is based on a static full load with voltage drop calculated using a 0.3 m (0.98 ft) cable with silicone seamless connectors, excluding connector length—refer to specifications for details. For runs over 65.62ft (20m), recommended to limit each to 65.62ft (20m) for easier handling. **Silicone products maintain ≤3 SDCM within a single production run and <5 SDCM between production runs. ***Actual color may vary slightly from listed Pantone due to production variations, custom color options available. Please contact your Account Manager.

LED COLORS



JACKET + LENS COLORS***



FIXTURE SPECIFICATIONS & OPTICAL PARAMETERS - COLOR JACKET + COLOR LENS

COLOR	LED COUNT	1 CONNECTOR FULL/DYNAMIC*	2 CONNECTORS FULL/DYNAMIC*	UL CLASS 2 MAX RUN	FIXTURE COLOR TOLERANCE**	WAVELENGTH/ CCT	LED CRI	LED COLOR TOLERANCE	LUMEN COUNT	LEGACY ORDER CODE
RED	22 LEDs/ft (72 LEDs/m)	65.6ft (20m) / Not Recommended	131.2ft (40m) / Not Recommended	40ft (12m)	N/A	618-624nm	N/A	<3nm	35lm/ft (115lm/m)	SF11B1012WERCJ24DC
GREEN	22 LEDs/ft (72 LEDs/m)	49.2ft (15m) / Not Recommended	98.4ft (30m) / Not Recommended	26ft (8m)	N/A	522-530nm	N/A	<3nm	88lm/ft (290lm/m)	SF11B1012WEGCJ24DC
BLUE	22 LEDs/ft (72 LEDs/m)	49.2ft (15m) / Not Recommended	98.4ft (30m) / Not Recommended	26ft (8m)	N/A	468-474nm	N/A	<3nm	21lm/ft (70lm/m)	SF11B1012WECJ24DC

*Run length is based on a static full load with voltage drop calculated using a 0.3 m (0.98 ft) cable with silicone seamless connectors, excluding connector length—refer to specifications for details. For runs over 65.62ft (20m), recommended to limit each to 65.62ft (20m) for easier handling. **Silicone products maintain ≤3 SDCM within a single production run and <5 SDCM between production runs. ***Actual color may vary slightly from listed Pantone due to production variations, custom color options available. Please contact your Account Manager.



VIVID S160: SILICONE - 24V

Indoor & Outdoor Rated Linear Flex Profile - Static Whites & Colors



C

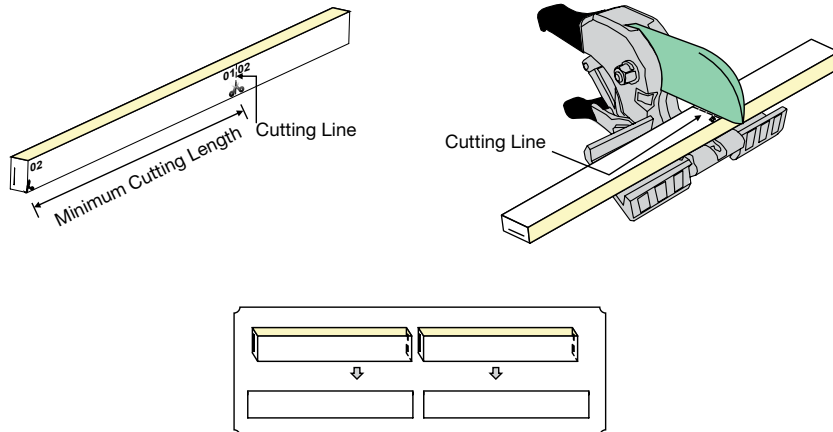
POWER & VOLTAGE

COLOR	JACKET + LENS	VOLTAGE + CIRCUIT TYPE*	POWER CONSUMPTION	
RED			2.43W/ft (8W/m)	
GREEN			3.66W/ft (12W/m)	
BLUE			3.66W/ft (12W/m)	
AMBER			2.43W/ft (8W/m)	
2200K	White + Diffused	24V DC CR	3.66W/ft (12W/m)	
2700K			3.66W/ft (12W/m)	
3000K			3.66W/ft (12W/m)	
3500K			3.66W/ft (12W/m)	
4000K	3.66W/ft (12W/m)			
5700K	3.66W/ft (12W/m)			
2600K	Black + Black			3.66W/ft (12W/m)
4200K			3.66W/ft (12W/m)	
RED	Red + Red			2.43W/ft (8W/m)
GREEN	Green + Green			3.66W/ft (12W/m)
BLUE	Blue + Blue		3.66W/ft (12W/m)	

*The Current Regulated (CR) Integrated Circuit extends max run length. Do not use a CC or CR power supply, as it may cause damage.

D

CUTTING INSTRUCTIONS



COLOR	JACKET + LENS	ORDER UNIT (CUTTING UNIT)
RED		4.92in (125mm) (9 LEDs)
GREEN		3.28in (83.3mm) (6 LEDs)
BLUE		3.28in (83.3mm) (6 LEDs)
AMBER		4.92in (125mm) (9 LEDs)
2200K	White + Diffused	3.28in (83.3mm) (6 LEDs)
2700K		3.28in (83.3mm) (6 LEDs)
3000K		3.28in (83.3mm) (6 LEDs)
3500K		3.28in (83.3mm) (6 LEDs)
4000K		3.28in (83.3mm) (6 LEDs)
5700K		3.28in (83.3mm) (6 LEDs)
2600K	Black + Black	2.19in (55.6mm) (6 LEDs)
4200K		
RED	Red + Red	4.92in (125mm) (9 LEDs)
GREEN	Green + Green	3.28in (83.3mm) (6 LEDs)
BLUE	Blue + Blue	3.28in (83.3mm) (6 LEDs)



VIVID S160: SILICONE - 24V

Indoor & Outdoor Rated Linear Flex Profile - Static Whites & Colors



E

COMPATIBLE CONNECTORS

INPUT - 01

PROFILE	BENDING	WIRING	INPUT CONNECTOR TYPE	INPUT ORIENTATION + TYPE	INPUT CABLE LENGTH (LEAD WIRE)
---------	---------	--------	----------------------	--------------------------	--------------------------------

OUTPUT - 02

PROFILE	BENDING	WIRING	OUTPUT CONNECTOR TYPE	OUTPUT ORIENTATION + TYPE	OUTPUT CABLE LENGTH (LEAD WIRE)
C = S160	1 = Side 4 = N/A (End Cap)	1 = 2 Wire (Static/Dim To Warm) 0 = N/A (End Cap)	6 = Swivel	A = End Exit I = End Cap	1 = 0.98ft (0.3m) 2 = 3.28ft (1m) 3 = 9.84ft (3m) 4 = 16ft (5m) 5 = 32.81ft (10m) 6 = 49.21ft (15m) 7 = 65.62ft (20m) 8 = N/A
			7 = Snap	A = End Exit B = Bottom Exit C = Side Left Exit D = Side Right Exit E = End Jumper H = Power T-Feed I = End Cap	1 = 0.98ft (0.3m) 2 = 3.28ft (1m) 3 = 9.84ft (3m) 4 = 16ft (5m) 5 = 32.81ft (10m) 6 = 49.21ft (15m) 7 = 65.62ft (20m) 8 = N/A
			8 = Click	A = End Exit I = End Cap	1 = 0.98ft (0.3m) 2 = 3.28ft (1m) 3 = 9.84ft (3m) 4 = 16ft (5m) 8 = N/A
			2 = Silicone Seamless	A = End Exit B = Bottom Exit C = Side Left Exit D = Side Right Exit E = End Jumper H = Power T-Feed I = End Cap	1 = 0.98ft (0.3m) 2 = 3.28ft (1m) 3 = 9.84ft (3m) 4 = 16ft (5m) 5 = 32.81ft (10m) 6 = 49.21ft (15m) 7 = 65.62ft (20m) 8 = N/A

LEGACY CONNECTOR ORDER CODE

XX	11B	1	01	XX	XX	X	XX	XXX	X
PRODUCT TYPE	PROFILE	BENDING	LIGHT EMITTING	FUNCTIONALITY	CONNECTOR TYPE	FIXTURE END	EXIT TYPE	LENGTH	
NA = DIY Accessories FA = Factory Accessories	11B = S160	1 = Side	01 = 11B	2W = Static 0W = For End Cap	SV = Swivel CL = Click SC = Snap SE = Seamless	1 = Input Side 2 = Output Side 0 = Jumpers/T-feeds/ Seamless Bottom/ Seamless End 3 = 01 Input/02 Output	EN = End BO = Bottom SL = Side Left SR = Side Right EJ = End Jumper BJ = Bottom Jumper TF = Power Feed EC = End Cap	0M3 = 0.98ft (30cm) 01M = 3.28ft (1m) 03M = 9.84ft (3m) 05M = 16ft (5m) 10M = 32.81ft (10m) 000 = For End Cap	P = Power or For End Cap S = Signal & Power



VIVID S160: SILICONE - 24V

Indoor & Outdoor Rated Linear Flex Profile - Static Whites & Colors



E

SWIVEL CONNECTOR



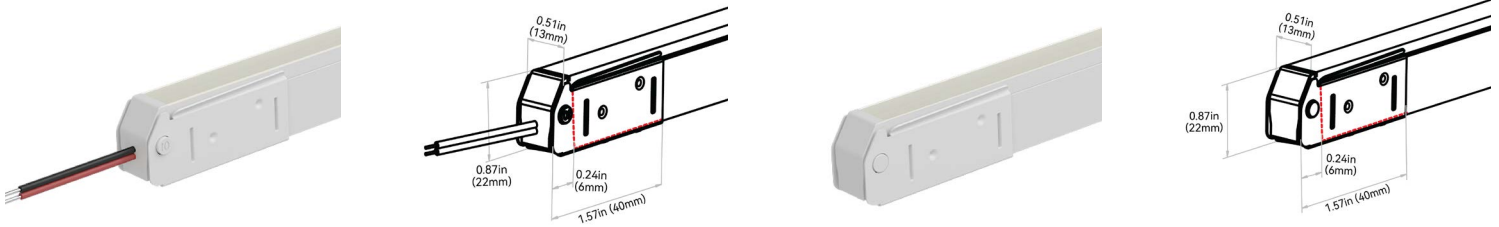
NOTES:

1. Connector Tolerance ± 0.02 in (0.5mm)
2. Cable diameter: Static Silicone = 0.26in (6.5mm)
3. Do not apply force to the feed cable
4. Ensure Max. Cable Lengths are followed according to wire gage to avoid voltage drop

IP20, Omni-directional Cable, Tool-less, Mini Size. Recommended for indoor dry environments and for onsite length adjustments. Under the simple and convenient design concept, we developed our swivel connector, which is superb for indoor concealed installation in narrow space thanks to its mini size and omni-directional cable. Navigated by user manual, tool-free and quick assembly can be realized, and Press & Seal design enables the functions of energization and dust-proof rapidly. DIY or custom factory assembly.

END EXIT: C116A#

END CAP: C406I8



VIVID S160: SILICONE - 24V

Indoor & Outdoor Rated Linear Flex Profile - Static Whites & Colors



E

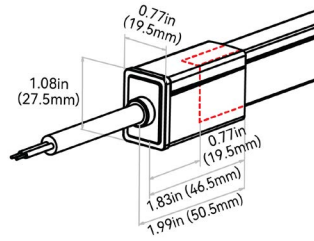
SNAP CONNECTOR



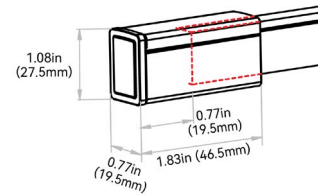
- NOTES:
1. Connector Tolerance ± 0.02 in (0.5mm)
 2. Cable diameter: Static, Tunable, RGB, RGBW & SPI Silicone = 0.26in (6.5mm)
 3. Do not apply force to the feed cable
 4. Ensure Max. Cable Lengths are followed according to wire gage to avoid voltage drop

IP67, tool-less; good solution for protection from water ingress; larger connector & anti-wicking ferrule. Recommended for wet environments and on-site length adjustments. To seal the end of light and ensure the waterproof in case of any cutting or extension on site, Insulfit technology prevents the water or vapor ingress from the end of the light. DryWire technology applied on the cable eliminates the capillary phenomenon through wires, which secured the long-term reliability in any wading environments. DIY or custom factory assembly.

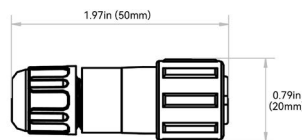
END CAP: C11718



END CAP: C40718

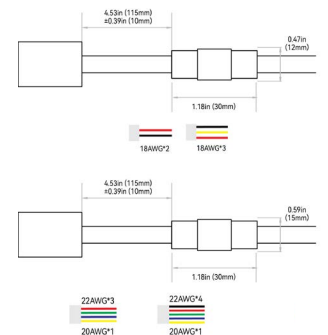


SCREW LOCK CONNECTOR ACCESSORY - IP67



NOTE: The tolerance is ± 0.08 in (2mm).

ANTI-WICKING FERRULE:



- NOTES:
1. The anti-wicking ferrule is located at 4.53in (115mm) (± 0.39 in [± 10 mm] tolerance) from the connector on the cable. For protection against water ingress.
 2. The removal of anti-wicking ferrule will void the warranty if any water ingress caused by it.



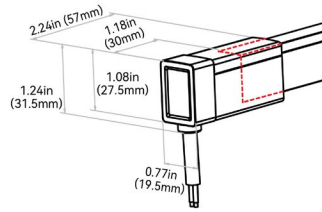
VIVID S160: SILICONE - 24V

Indoor & Outdoor Rated Linear Flex Profile - Static Whites & Colors

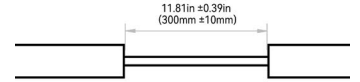
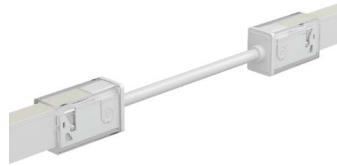


E

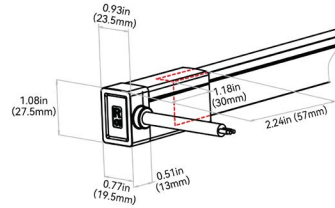
BOTTOM EXIT: C117B#



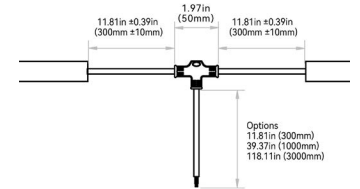
END JUMPER: C117E1



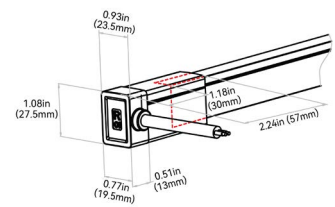
SIDE LEFT EXIT: C117C#



POWER T-FEED: C117H#



SIDE RIGHT EXIT: C117D#



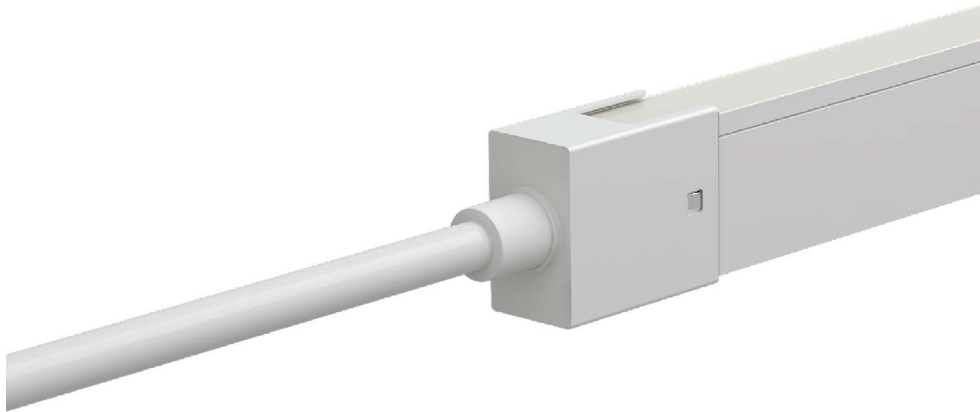
VIVID S160: SILICONE - 24V

Indoor & Outdoor Rated Linear Flex Profile - Static Whites & Colors



E

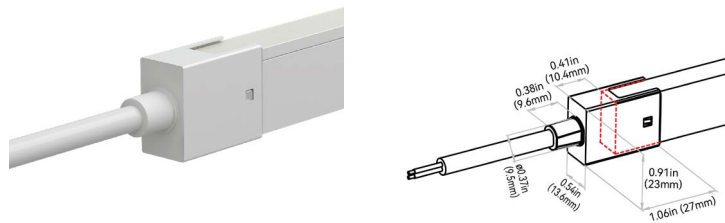
CLICK CONNECTOR



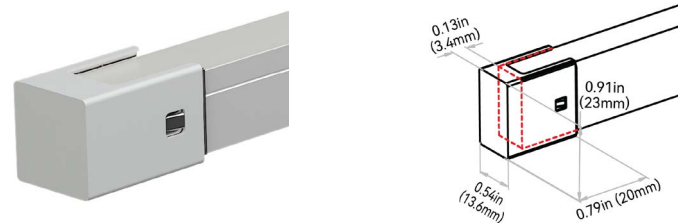
- NOTES:
1. Connector Tolerance ± 0.02 in (0.5mm)
 2. Cable diameter: Static, Tunable, RGB & SPI Silicone = 0.26in (6.5mm)
 3. Do not apply force to the feed cable
 4. Ensure Max. Cable Lengths are followed according to wire gage to avoid voltage drop

IP67; tool-less & mini size. Recommended for outdoor environments & for onsite length adjustments. Click connector, a new type of field-assembly connector for outdoor use, brass casing, features unexceptional adaptability and excellent weather resistance. It achieves the unique balance between waterproof performance and physical dimension, highly functional yet incredibly minimal, giving you an extraordinary visual experience due to the less dark area at the jointing area. The whole assembling process is tool-less and quick, benefiting from its simple but smart structure design. The remarkable innovation lies in the invisible waterproof pretreatment on the cable, which facilitates the wiring and slotting on the site greatly as the extra anti-wicking ferrule on the cable is no longer needed. DIY or custom factory assembly.

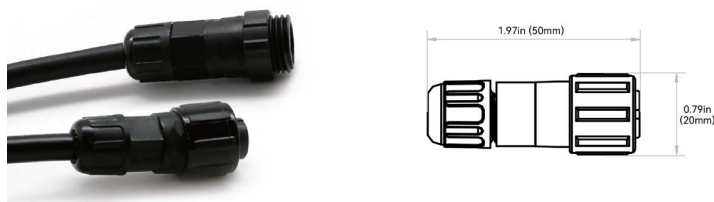
END EXIT: C118A#



END CAP: C408I8



SCREW LOCK CONNECTOR ACCESSORY - IP67



NOTE: The tolerance is ± 0.08 in (2mm).



VIVID S160: SILICONE - 24V

Indoor & Outdoor Rated Linear Flex Profile - Static Whites & Colors



E

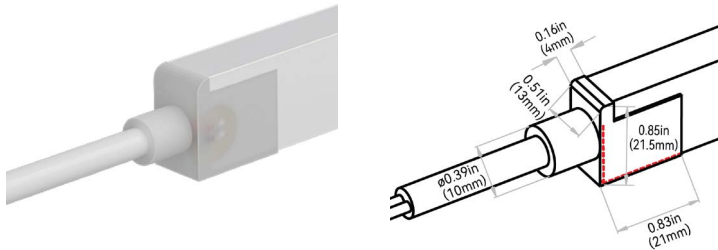
SILICONE SEAMLESS CONNECTOR



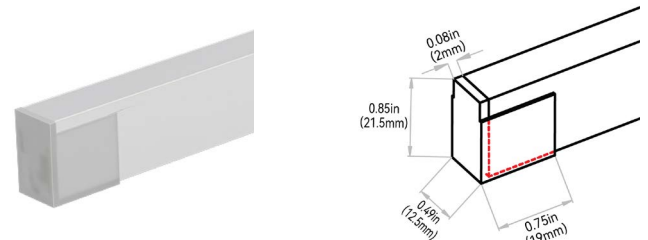
- NOTES:**
1. Connector Tolerance ± 0.02 in (0.5mm)
 2. Cable diameter: Static, Tunable, RGB, RGBW & SPI Silicone = 0.26in (6.5mm) & DMX Silicone = 0.27in (6.8mm)
 3. Do not apply force to the feed cable
 4. Ensure Max. Cable Lengths are followed according to wire gage to avoid voltage drop

IP68; seamless; precise low profile dimension; high grade quality silicone & anti-wicking ferrule. Recommended for; wet environments; custom predetermined lengths; high/ low temperatures; increased humidity; direct UV exposure; harsh working conditions & increased handling forces during installation. Precision milling and special glue Silicone liquid injection-moulded workmanship enables an almost consistent size between connectors and lightbody, and the transparent terminal of the connector allows the seamless effects spliced end by end. DryWire technology applied on the cable eliminates the capillary phenomenon through wires, which secured the long-term reliability in outdoor or any wet environments. Custom factory assembly.

END EXIT: C112A#



END CAP: C402I8

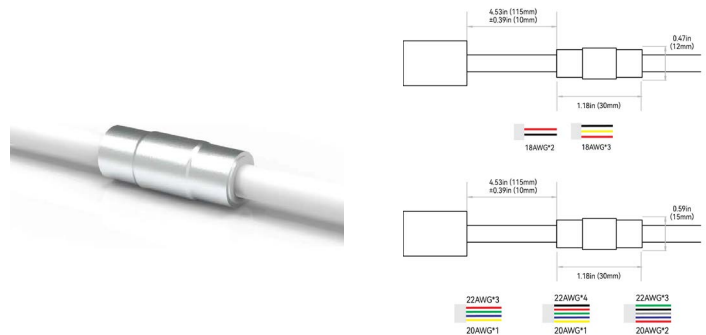


SCREW LOCK CONNECTOR ACCESSORY - IP67



NOTE: The tolerance is ± 0.08 in (2mm).

ANTI-WICKING FERRULE:



- NOTES:**
1. The anti-wicking ferrule is located at 4.53in (115mm) (± 0.39 in [± 10 mm] tolerance) from the connector on the cable. For protection against water ingress.
 2. The removal of anti-wicking ferrule will void the warranty if any water ingress caused by it.



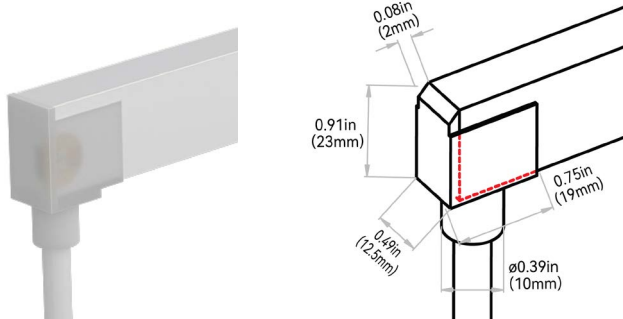
VIVID S160: SILICONE - 24V

Indoor & Outdoor Rated Linear Flex Profile - Static Whites & Colors

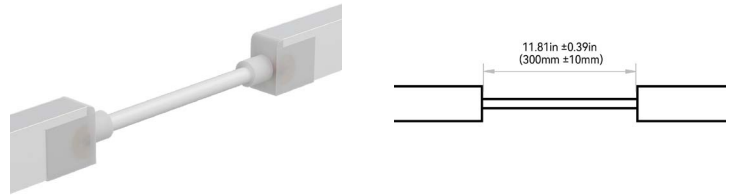


E

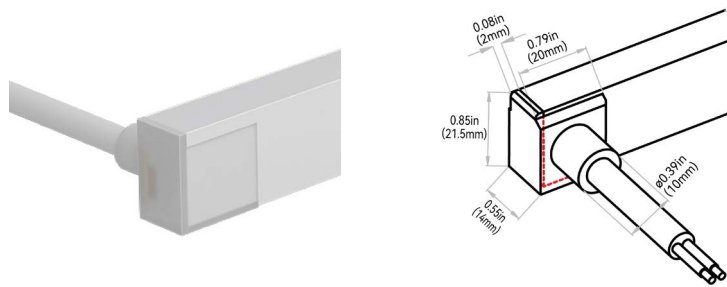
BOTTOM EXIT: C112B#



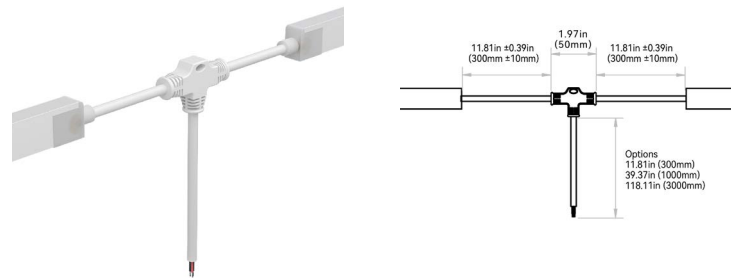
END JUMPER: C112E1



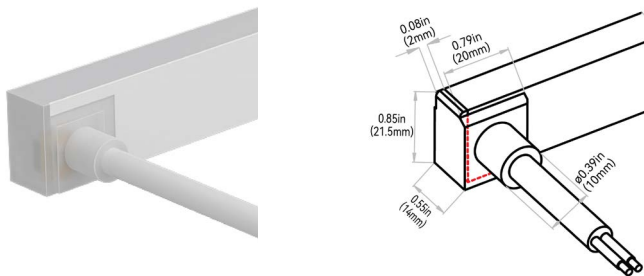
SIDE LEFT EXIT: C112C#



POWER T-FEED: C112H#



SIDE RIGHT EXIT: C112D#



VIVID S160: SILICONE - 24V

Indoor & Outdoor Rated Linear Flex Profile - Static Whites & Colors



F

MOUNTING PROFILES

MOUNTING PROFILE TYPE	STANDARD LENGTH	PROFILE	COLOR	BEND	
A1 = Aluminum Basic	2 = 1.38in (35mm) 3 = 19.68in (500mm) 5 = 39.37in (1000mm) 6 = 78.74in (2000mm)	C=S Series (S160/S270)	1 = Standard	1 = Side	
A2 = Aluminum Recessed	2 = 1.38in (35mm) 3 = 19.68in (500mm) 5 = 39.37in (1000mm) 6 = 78.74in (2000mm)				
A3 = Aluminum Recessed Silicone Grip	1 = 0.79in (20mm) 3 = 19.68in (500mm) 5 = 39.37in (1000mm) 6 = 78.74in (2000mm)				
A4 = Aluminum Silicone Grip	1 = 0.79in (20mm) 3 = 19.68in (500mm) 5 = 39.37in (1000mm) 6 = 78.74in (2000mm)				
A5 = Aluminum Flexible	3 = 19.68in (500mm) 5 = 39.37in (1000mm)				
A8 = Aluminum Raceway	3 = 19.68in (500mm) 5 = 39.37in (1000mm) 6 = 78.74in (2000mm)				
A9 = Aluminum Raceway Suspended	3 = 19.68in (500mm) 5 = 39.37in (1000mm) 6 = 78.74in (2000mm)				
P1 = Plastic Reinforced	2 = 1.38in (35mm) 3 = 19.68in (500mm) 5 = 39.37in (1000mm) 6 = 78.74in (2000mm)				
C1 = Silicone Flexible	B = 4.33in (110mm) C = 7.87in (200mm) 3 = 19.68in (500mm) 5 = 39.37in (1000mm)				2 = Black 3 = White 0 = Custom
S1 = Stainless Steel Clips	2 = 1.38in (35mm)				1 = Standard



VIVID S160: SILICONE - 24V

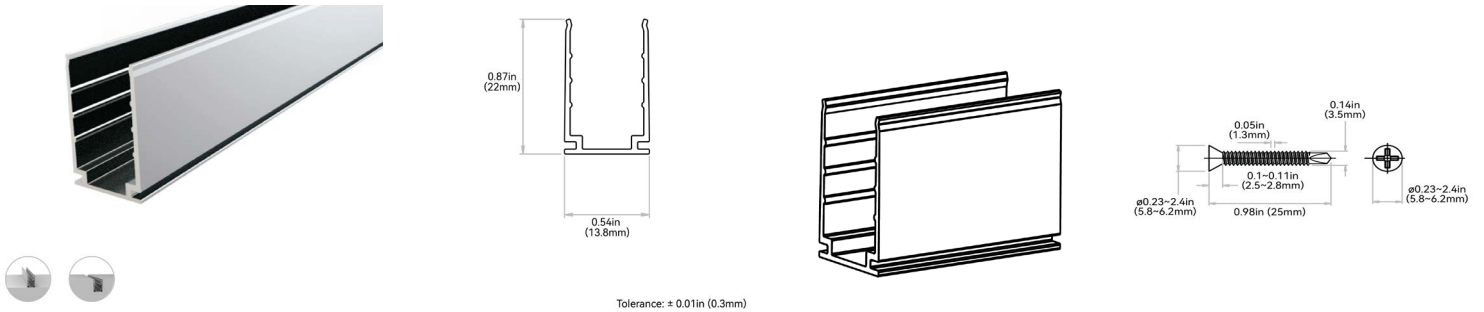
Indoor & Outdoor Rated Linear Flex Profile - Static Whites & Colors



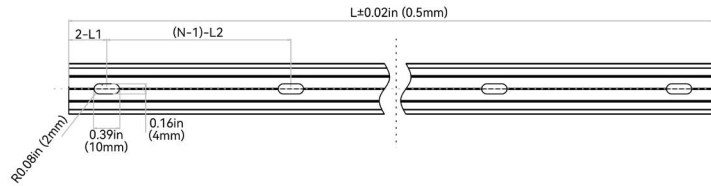
F

ALUMINUM PROFILE - BASIC

High-quality 6063 aluminum with thin-wall, light-weight design to fit the fixture tightly. It is deformation and rust resistant, and cost-effective. Please refer to install manual for proper installation practices..



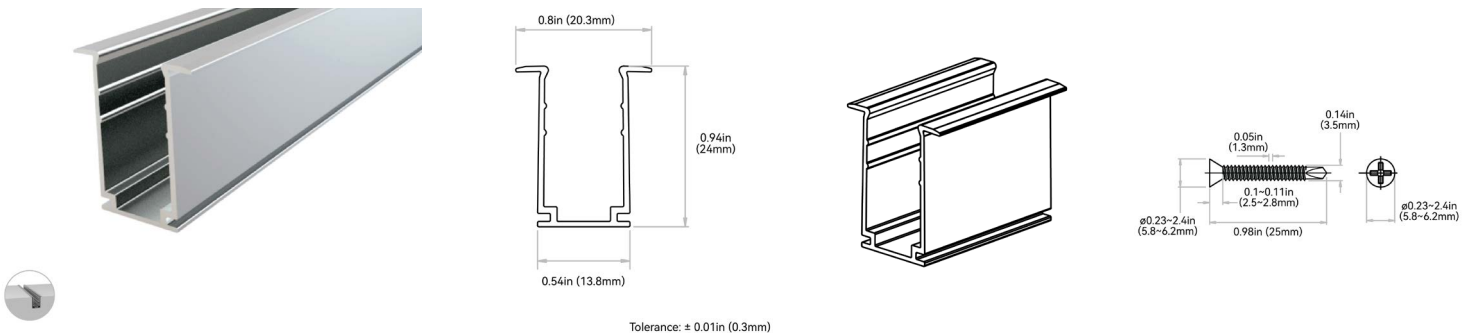
NOTES: 1. 2-L1 refers to two of symmetric L1 in each piece of profile.
 2. (N-1)-L2 refers to (N minus one) of symmetric L2 in each piece of profile.
 "N" hereby stands for its corresponding "Hole Number" in the below table



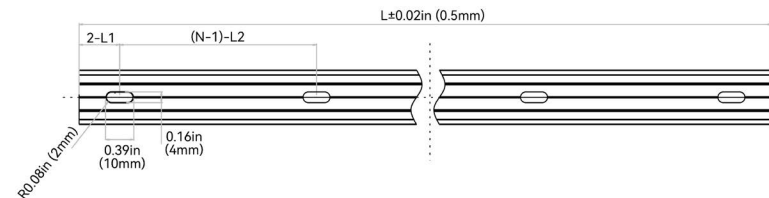
ORDER CODE	LEGACY CODE	STANDARD LENGTH	L1	L2	SLOTTED HOLE	HOLE #
A12C11	CL11RAL3C5SD	1.38in (35mm)	0.69in (17.5mm)	N/A	0.16"×0.39in (4*10mm)	1
A13C11	CH11RAL0M5SD	19.68in (500mm)	1.97in (50mm)	7.87in (200mm)	0.16"×0.39in (4*10mm)	3
A15C11	CH11RAL01MSD	39.37in (1000mm)	3.93in (100mm)	7.87in (200mm)	0.16"×0.39in (4*10mm)	5
A16C11	CH11RAL02MSD	78.74in (2000mm)	3.93in (100mm)	7.87in (200mm)	0.16"×0.39in (4*10mm)	10

ALUMINUM PROFILE - RECESSED

High-quality 6063 aluminum with thin-wall, light-weight design to fit the fixture tightly. Recommended on projects with lighting mounted recessed in a cavity so only the lens is shown. It is deformation and rust resistant, and cost-effective. Please refer to install manual for proper installation practices.



NOTES: 1. 2-L1 refers to two of symmetric L1 in each piece of profile.
 2. (N-1)-L2 refers to (N minus one) of symmetric L2 in each piece of profile.
 "N" hereby stands for its corresponding "Hole Number" in the below table



ORDER CODE	LEGACY ORDER CODE	STANDARD LENGTH	L1	L2	SLOTTED HOLE	HOLE #
A22C11	CL11RRA3C5SD	1.38in (35mm)	0.69in (17.5mm)	N/A	0.16"×0.39in (4*10mm)	1
A23C11	CH11RRA0M5SD	19.68in (500mm)	1.97in (50mm)	7.87in (200mm)	0.16"×0.39in (4*10mm)	3
A25C11	CH11RRA01MSD	39.37in (1000mm)	3.93in (100mm)	7.87in (200mm)	0.16"×0.39in (4*10mm)	5
A26C11	CH11RRA02MSD	78.74in (2000mm)	3.93in (100mm)	7.87in (200mm)	0.16"×0.39in (4*10mm)	10



VIVID S160: SILICONE - 24V

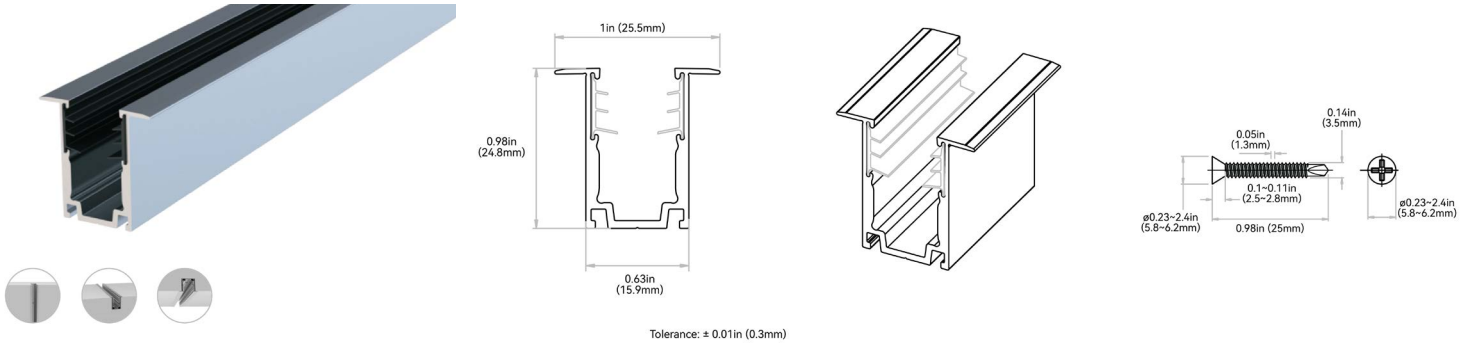
Indoor & Outdoor Rated Linear Flex Profile - Static Whites & Colors



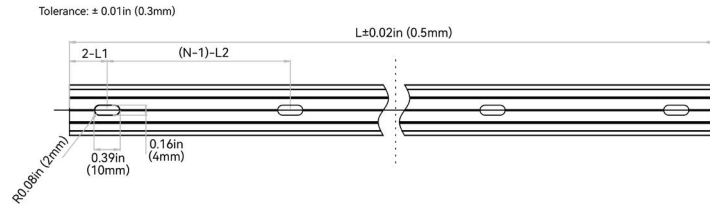
F

ALUMINUM PROFILE - RECESSED - SILICONE GRIP

High-quality 6063 aluminum with thin-wall, light-weight design to fit the fixture tightly. Includes a serrated silicone grip insert designed to hold fixture with additional force. Recommended on projects mounted upside down with lighting mounted recessed in a cavity so only the lens is shown. It is deformation and rust resistant, and cost-effective. Please refer to install manual for proper installation practices.



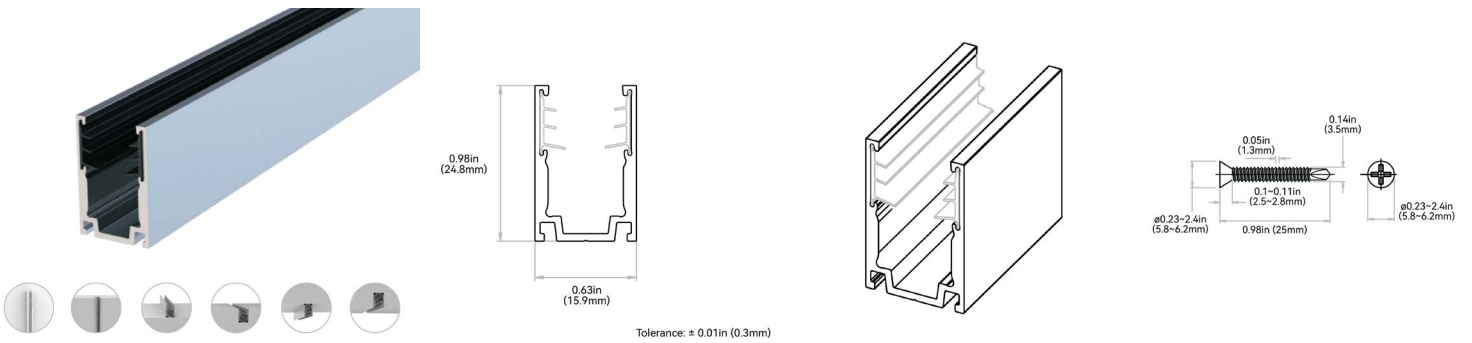
NOTES: 1. 2-L1 refers to two of symmetric L1 in each piece of profile.
 2. (N-1)-L2 refers to (N minus one) of symmetric L2 in each piece of profile.
 "N" hereby stands for its corresponding "Hole Number" in the below table



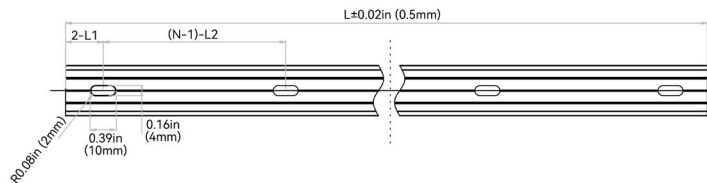
ORDER CODE	LEGACY ORDER CODE	STANDARD LENGTH	L1	L2	SLOTTED HOLE	HOLE #
A31C11	CL11RRA02CSE	0.79in (20mm)	0.39in (10mm)	N/A	0.16*0.39in (4*10mm)	1
A33C11	CH11RRA0M5SE	19.68in (500mm)	1.97in (50mm)	7.87in (200mm)	0.16*0.39in (4*10mm)	3
A35C11	CH11RRA01MSE	39.37in (1000mm)	3.93in (100mm)	7.87in (200mm)	0.16*0.39in (4*10mm)	5
A36C11	CH11RRA02MSE	78.74in (2000mm)	3.93in (100mm)	7.87in (200mm)	0.16*0.39in (4*10mm)	10

ALUMINUM PROFILE - SILICONE GRIP

High-quality 6063 aluminum with thin-wall, light-weight design. Includes a serrated silicone grip insert designed to hold fixture with additional force. Recommended on projects mounted upside down. It is deformation and rust resistant, and cost-effective. Please refer to install manual for proper installation practices.



NOTES: 1. 2-L1 refers to two of symmetric L1 in each piece of profile.
 2. (N-1)-L2 refers to (N minus one) of symmetric L2 in each piece of profile.
 "N" hereby stands for its corresponding "Hole Number" in the below table



ORDER CODE	LEGACY ORDER CODE	STANDARD LENGTH	L1	L2	SLOTTED HOLE	HOLE #
A41C11	CL11RAL02CSE	0.79in (20mm)	0.39in (10mm)	N/A	0.16*0.39in (4*10mm)	1
A43C11	CH11RAL0M5SE	19.68in (500mm)	1.97in (50mm)	7.87in (200mm)	0.16*0.39in (4*10mm)	3
A45C11	CH11RAL01MSE	39.37in (1000mm)	3.93in (100mm)	7.87in (200mm)	0.16*0.39in (4*10mm)	5
A46C11	CH11RAL02MSE	78.74in (2000mm)	3.93in (100mm)	7.87in (200mm)	0.16*0.39in (4*10mm)	10



VIVID S160: SILICONE - 24V

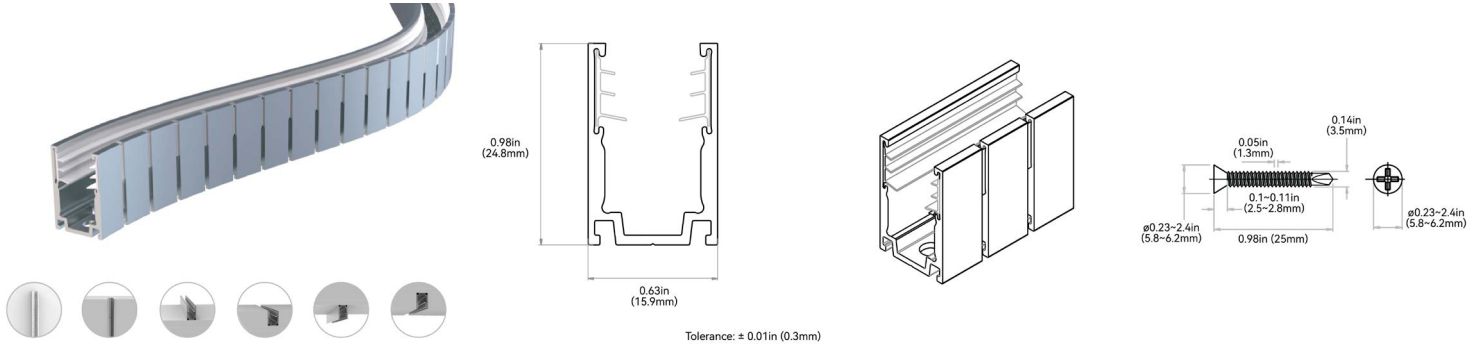
Indoor & Outdoor Rated Linear Flex Profile - Static Whites & Colors



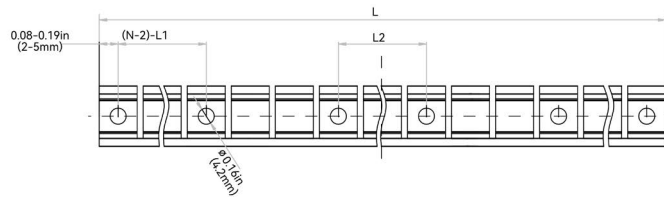
F

ALUMINUM PROFILE - FLEXIBLE

It is an expanded design of the flexible aluminum profile, and caters for the continuously streamlined aesthetics of curve shape. The secondary precision cutting process, not only maintains the advantage of clamping force, but also enables the two-way side bending directions with super shape memory. Please refer to install manual for proper installation practices.



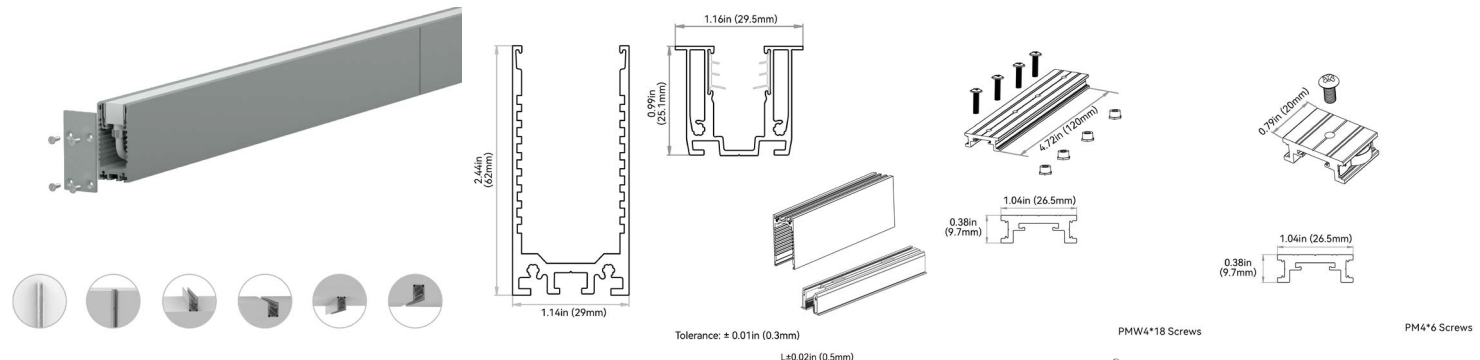
NOTES: 1. 2-L1 refers to two of symmetric L1 in each piece of profile.
 2. (N-1)-L2 refers to (N minus one) of symmetric L2 in each piece of profile.
 "N" hereby stands for its corresponding "Hole Number" in the below table



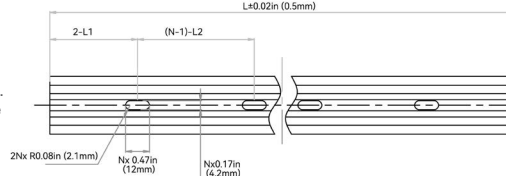
ORDER CODE	LEGACY ORDER CODE	STANDARD LENGTH	L1	L2	SLOTTED HOLE	HOLE #
A53C11	CH11FAL0M5SE	19.68in (500mm)	4.34in (110.3mm)	1.92in (48.9mm)	Ø 0.17in (4.2mm)	6
A55C11	CH11FAL01MSE	39.37in (1000mm)	4.59in (116.5mm)	3.89in (98.8mm)	Ø 0.17in (4.2mm)	10

ALUMINUM PROFILE - RACEWAY

High-quality 6063 thin-wall aluminum, light-weight design featuring hidden cables. The raceway space is enough to conceal seamless connectors with bottom feed and the general male/female connectors. It is superb for the facade where tidiness is required and the scenarios that lack of space for wiring. Please refer to install manual for proper installation practices.



NOTES: 1. 2-L1 refers to two of symmetric L1 in each piece of profile.
 2. (N-1)-L2 refers to (N minus one) of symmetric L2 in each piece of profile.
 "N" hereby stands for its corresponding "Hole Number" in the below table



ORDER CODE	LEGACY ORDER CODE	STANDARD LENGTH	L1	L2	SLOTTED HOLE	HOLE #
A83C11	CH11RAL0M5RS	19.68in (500mm)	1.97in (50mm)	7.87in (200mm)	0.18*0.47in (4.5*12mm)	3
A85C11	CH11RAL01MRS	39.37in (1000mm)	3.93in (100mm)	7.87in (200mm)	0.18*0.47in (4.5*12mm)	5
A86C11	CH11RAL02MRS	78.74in (2000mm)	3.93in (100mm)	7.87in (200mm)	0.18*0.47in (4.5*12mm)	10



VIVID S160: SILICONE - 24V

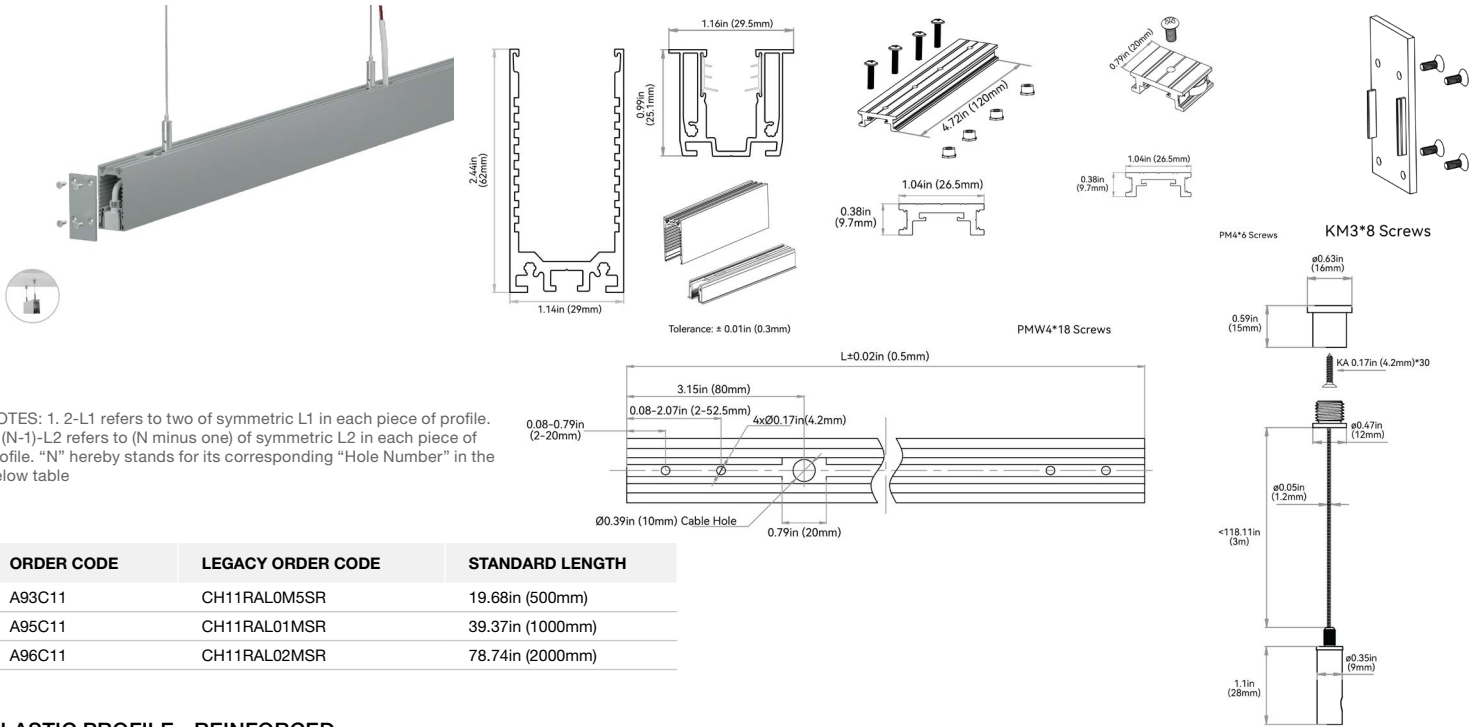
Indoor & Outdoor Rated Linear Flex Profile - Static Whites & Colors



F

ALUMINUM PROFILE - RACEWAY - SUSPENDED

High-quality 6063 thin-wall aluminum, light-weight design featuring hidden cables and suspended by cables from the ceiling. The raceway space is enough to conceal seamless connectors with bottom feed and the general male/female connectors. It is superb for the facade where tidiness is required and the scenarios that lack of space for wiring. Please refer to install manual for proper installation practices.

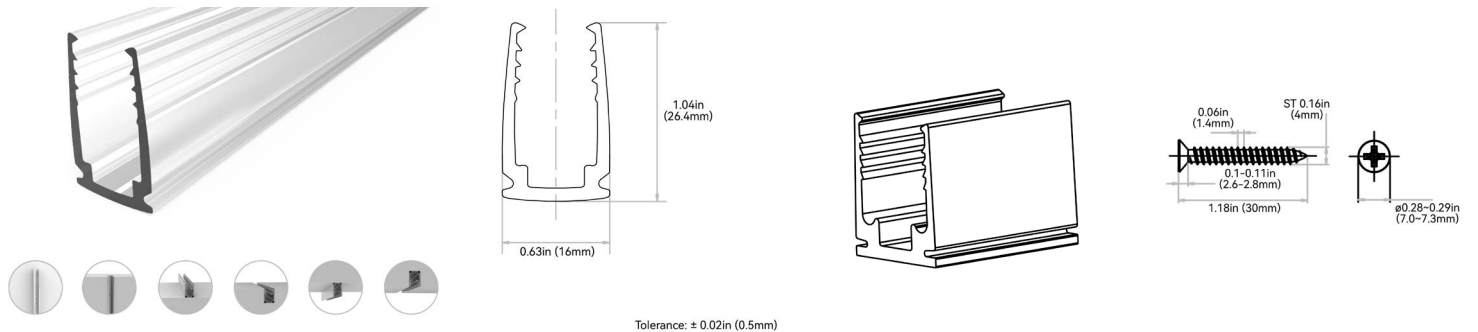


NOTES: 1. 2-L1 refers to two of symmetric L1 in each piece of profile.
 2. (N-1)-L2 refers to (N minus one) of symmetric L2 in each piece of profile. "N" hereby stands for its corresponding "Hole Number" in the below table

ORDER CODE	LEGACY ORDER CODE	STANDARD LENGTH
A93C11	CH11RAL0M5SR	19.68in (500mm)
A95C11	CH11RAL01MSR	39.37in (1000mm)
A96C11	CH11RAL02MSR	78.74in (2000mm)

PLASTIC PROFILE - REINFORCED

High Quality rigid plastic designed to securely hold fixtures. Recommended for use in extreme environments susceptible to increased water/humidity (SPA's and pools). Please refer to install manual for proper installation practices.



NOTES: 1. 2-L1 refers to two of symmetric L1 in each piece of profile.
 2. (N-1)-L2 refers to (N minus one) of symmetric L2 in each piece of profile. "N" hereby stands for its corresponding "Hole Number" in the below table

ORDER CODE	LEGACY ORDER CODE	STANDARD LENGTH	L1	L2	SLOTTED HOLE	HOLE #
P12C11	CL11RTP3C5SD	1.38in (35mm)	0.69in (17.5mm)	N/A	0.18*0.31in (4.5*8mm)	1
P13C11	CH11RPL0M5SD	19.68in (500mm)	1.97in (50mm)	7.87in (200mm)	0.18*0.31in (4.5*8mm)	3
P15C11	CH11RPL01MSD	39.37in (1000mm)	3.93in (100mm)	7.87in (200mm)	0.18*0.31in (4.5*8mm)	5
P16C11	CH11RPL02MSD	78.74in (2000mm)	3.93in (100mm)	7.87in (200mm)	0.18*0.31in (4.5*8mm)	10



VIVID S160: SILICONE - 24V

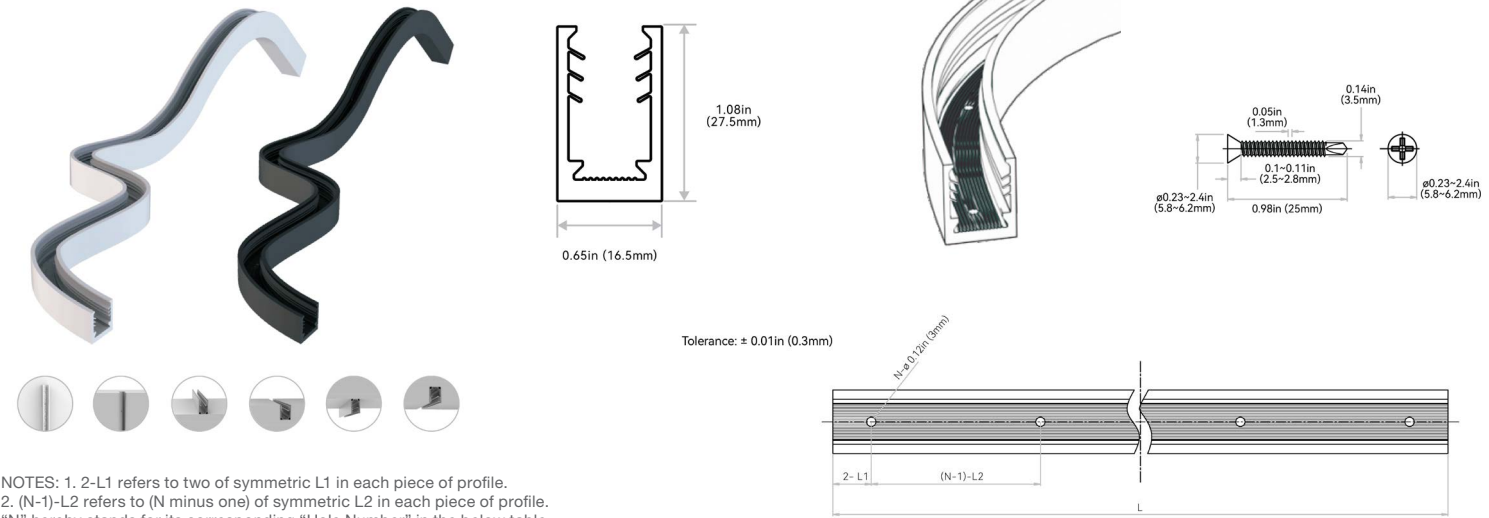
Indoor & Outdoor Rated Linear Flex Profile - Static Whites & Colors



F

SILICONE PROFILE - FLEXIBLE

An all-in-one mounting profile designed to unleash your creativity. This profile not only provides flexibility in installation methods, but also overcomes bending limitations by offering both top and side bending in a single profile. Fully encapsulated in UL-certified silicone, it excels in UV, weather, and corrosion resistance, making it suitable for underwater, high and low temperature environments. Elegant and square in appearance, it is available in black or white standard colors, or bespoke colors to blend in with the background. Supported by innovative serrated silicone fins, its clamping strength is strong enough to secure any installation method. Please refer to install manual for proper installation practices. Please refer to install manual for proper installation practices.

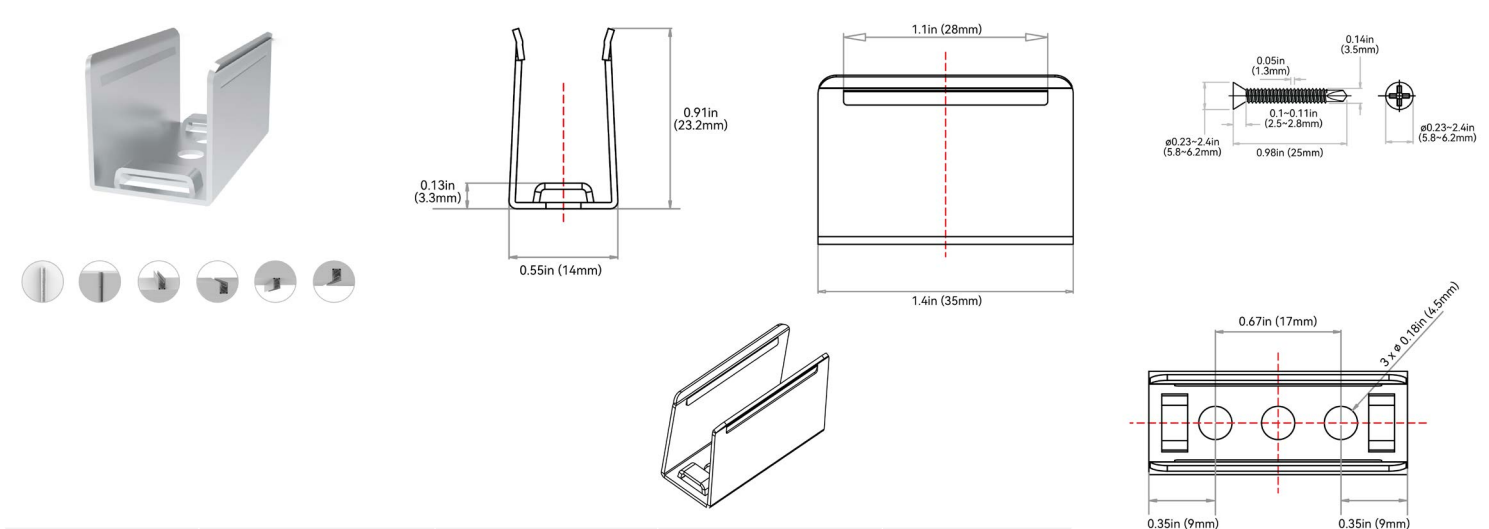


NOTES: 1. 2-L1 refers to two of symmetric L1 in each piece of profile.
 2. (N-1)-L2 refers to (N minus one) of symmetric L2 in each piece of profile.
 "N" hereby stands for its corresponding "Hole Number" in the below table

ORDER CODE	LEGACY ORDER CODE: WHITE	LEGACY ORDER CODE: BLACK	STANDARD LENGTH	L1	L2	SLOTTED HOLE	HOLE #
C1BC#1	CH11FAN1C1SEW	CH11FAN1C1SEB	4.33in (110mm)	0.46in (11.6mm)	3.48in (88.4mm)	Ø 0.12in (3mm)	2
C1CC#1	CH11FAN0M2SEW	CH11FAN0M2SEB	7.87in (200mm)	0.46in (11.6mm)	3.48in (88.4mm)	Ø 0.12in (3mm)	3
C13C#1	CH11FAN0M5SEW	CH11FAN0M5SEB	19.68in (500mm)	1.14in (29mm)	3.48in (88.4mm)	Ø 0.12in (3mm)	6
C15C#1	CH11FAN01MSEW	CH11FAN01MSEB	39.37in (1000mm)	0.54in (13.8mm)	3.48in (88.4mm)	Ø 0.12in (3mm)	12

STAINLESS STEEL PROFILE - CLIP

It uses grade 316 stainless steel with excellent property of deformation and rust resistance. The material makes it suitable for humid coastal surroundings and weak acid-base industrial environments that other mounting profiles can't accommodate. The structural design and material characteristics collectively ensure a tight clamping force. It's very convenient and reliable even for suspended installation in the curve shape. Please refer to install manual for proper installation practices.



ORDER CODE	LEGACY ORDER CODE	STANDARD LENGTH	SLOTTED HOLE	HOLE #
S12C11	CL11RSS3C5SD	1.38in (35mm)	Ø 0.18in (4.5mm)	3

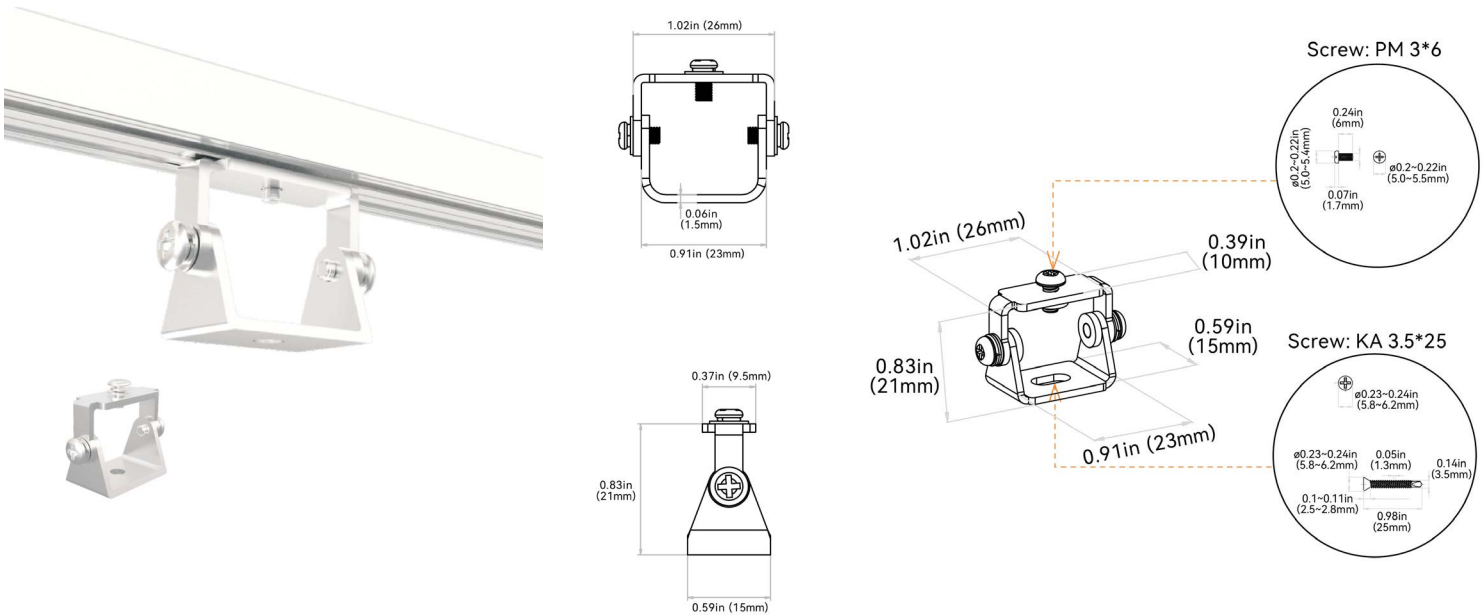
G

MOUNTING ACCESSORIES

MOUNTING ACCESSORY TYPE	PROFILE
MA1 = Pivot Bracket	O = All Profiles
MA2 = Rotary Bracket	
MA3 = Side Bracket	
MA4 = Ceiling Clip	C=S Series (S160/S270)
MA5 = Suspended Rod + Clip	
MA6 = Suspended Wire Kit	
MA7 = Alignment Bracket - Aluminum Basic	
MA8 = Alignment Bracket - Aluminum Silicone Grip	

PIVOT BRACKET: MA10 | MA00PMB0000

Applicable to all mounting profiles.



VIVID S160: SILICONE - 24V

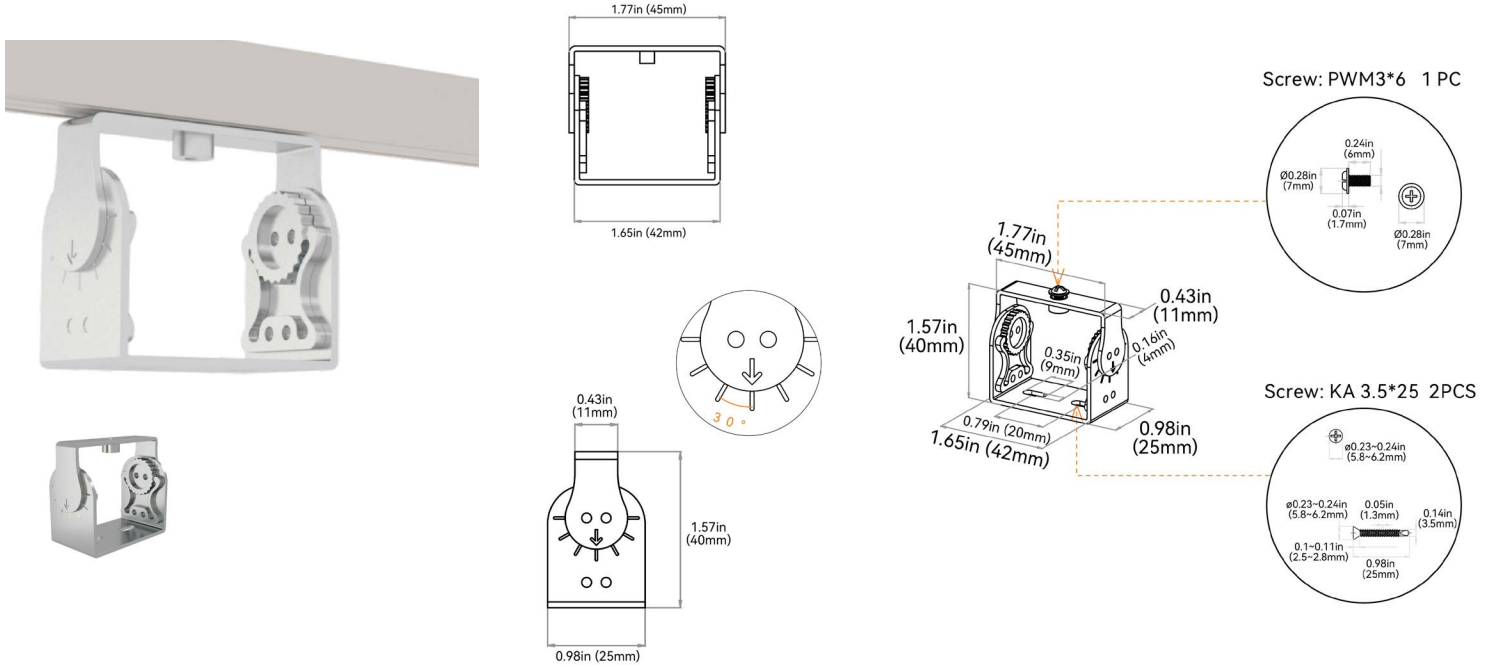
Indoor & Outdoor Rated Linear Flex Profile - Static Whites & Colors



G

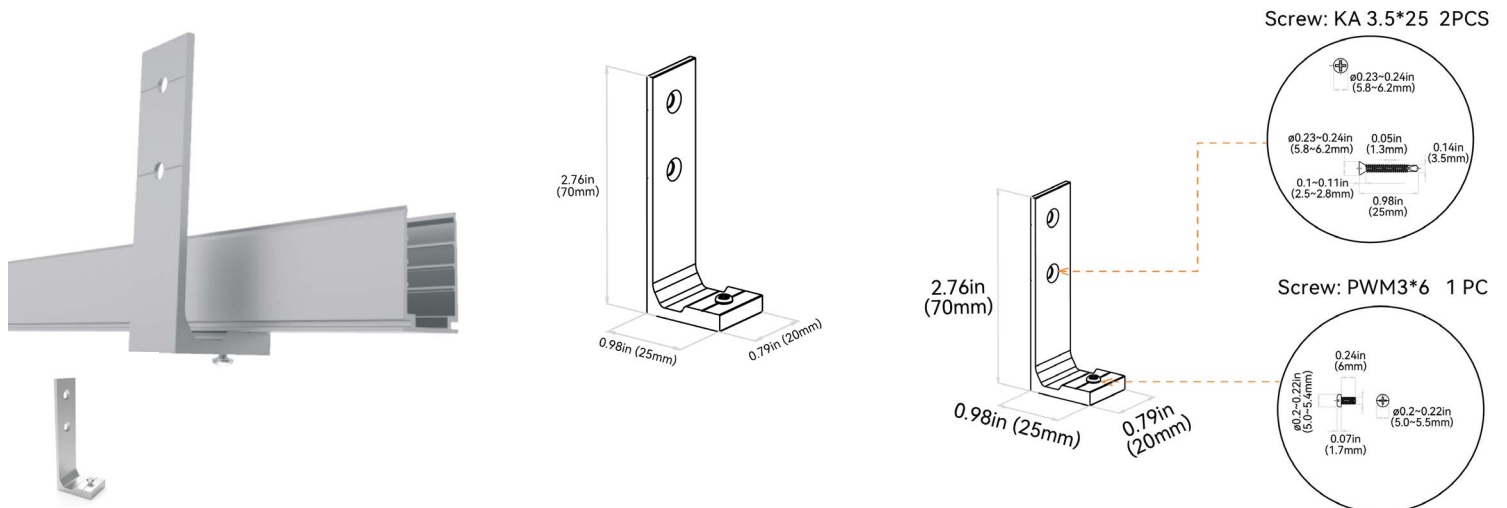
ROTARY BRACKET: MA20 | MA00BRL00000

Applicable to all mounting profiles.



SIDE MOUNTING BRACKET: MA30 | MA00SMB00000

Applicable to all mounting profiles.



VIVID S160: SILICONE - 24V

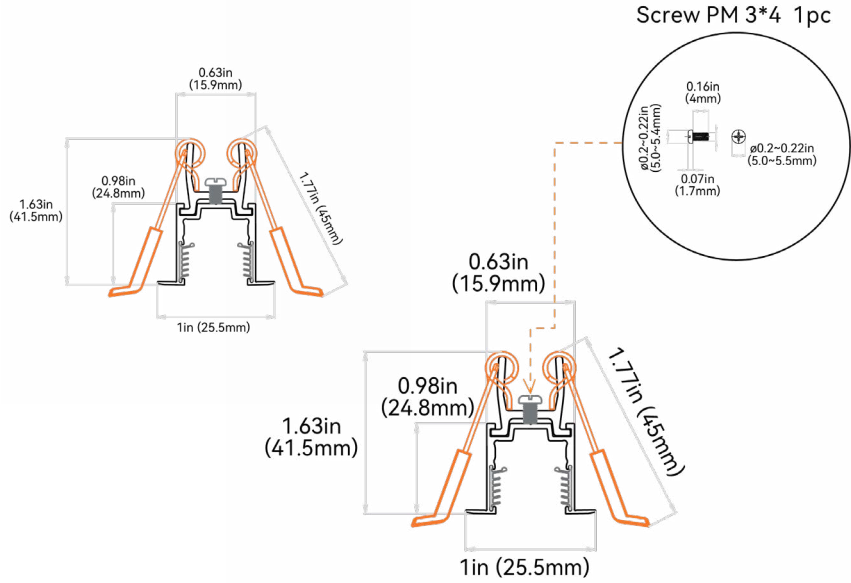
Indoor & Outdoor Rated Linear Flex Profile - Static Whites & Colors



G

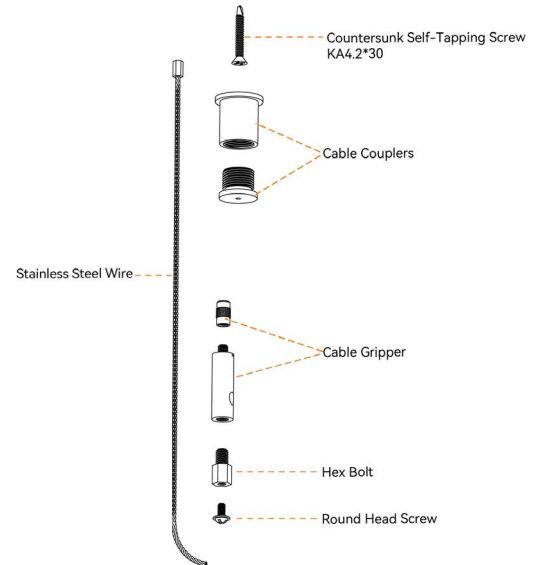
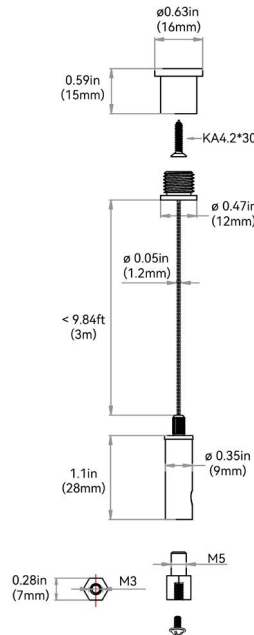
CEILING CLIP BRACKET: MA4C | MA11CMC00000

Applicable to aluminum profile - recessed - silicone grip



SUSPENDED WIRE: MA6C | MA11SMC000SW

Applicable to Aluminum Profile - Silicone Grip. 2 kits of stainless steel wires for 39.37in (1000mm) of profile & 3 kits of stainless steel wires for 78.74in (2000mm) of profile.



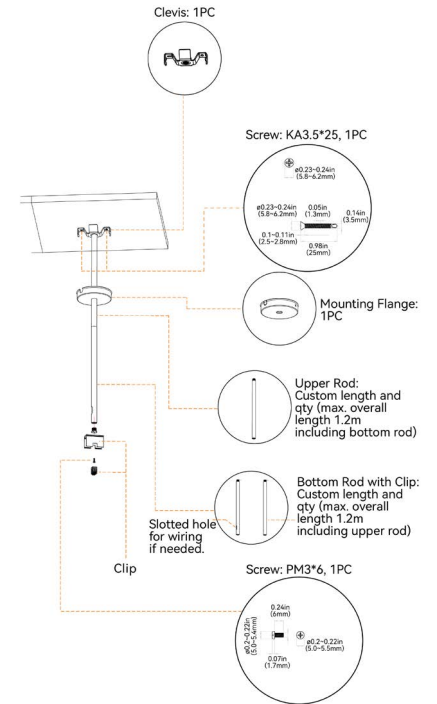
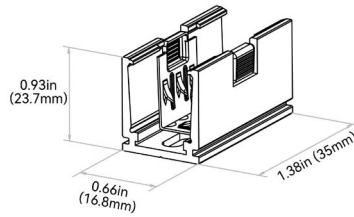
VIVID S160: SILICONE - 24V

Indoor & Outdoor Rated Linear Flex Profile - Static Whites & Colors



G

SUSPENDED MOUNTING CLIP + ROD: MA5C | MA11SMC0M5SR



ALIGNMENT BRACKET - ALUMINUM BASIC: MA7C | CH11AL0M45JB

Applicable to aluminum basic

ALIGNMENT BRACKET - ALUMINUM SILICONE GRIP: MA8C | CH11RAL0M45JB

Applicable to aluminum silicone grip

