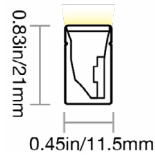


VIVID S160: SILICONE - 24V

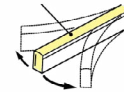
Indoor & Outdoor Rated Linear Flex Profile - RGB PWM



PROFILE CAPABILITIES



LIGHT SURFACE



SIDE BENDING

MIN BENDING DIAMETER



4.72IN (120MM)

CERTIFICATIONS & FEATURES*



TEMPERATURES

AMBIENT OPERATING TEMPERATURE:
12W/m: -40°F to 131°F (-40°C to 55°C)

AMBIENT INSTALLATION TEMPERATURE:
-40°F to 131°F (-40°C to 55°C)

FIXTURE STORAGE TEMPERATURE:
-40°F to 140°F (-40°C to 60°C)

MAX MOUNTING SURFACE TEMPERATURE:
185°F (85°C)

HUMIDITY (NON-CONDENSING):
0-95%

THERMAL MANAGEMENT:
Free Air Convection

FIXTURE ORDER CODE

| E | | A | | | | B | | |
|--------------------------------------|------------------------|--------------------|---------------------------------------|----------|---|---------------------------------|----------------------------|--------------------------|
| INPUT CONNECTORS | SERIES | MATERIAL | PROFILE | BENDING | JACKET/BASE + LENS COLOR | LED FUNCTION | LED COLOR | CHIP + CRI |
| See Page 5 to select input connector | V = Vivid | 1 = Silicone | C = S160 | 1 = Side | W = White + Diffused | 3 = RGB | S = RGB | 1 = Epistar SMD LED Chip |
| C | | D | E | | F | G | | |
| POWER | VOLTAGE + CIRCUIT TYPE | ORDER UNIT LENGTH | OUTPUT CONNECTOR | | MOUNTING PROFILE | MOUNTING ACCESSORIES | POWER SUPPLIES & CONTROLS: | |
| G = 3.66W/ft (12W/m) | 3V = 24V DC CV | G = 3.94in (100mm) | See Page 5 to select output connector | | See Page 11 to select mounting profiles | See Page 17 to select accessory | By Others By GLLS | |

*Maximum IP and IK ratings achievable with appropriate accessories, and cable diameter: silicone static = 0.26in (6.5mm).

VIVID S160: SILICONE - 24V

Indoor & Outdoor Rated Linear Flex Profile - RGB PWM



A

MECHANICAL

ASSEMBLY

Fixtures are carefully assembled using high-quality components to ensure durability and performance. Each unit is built to meet strict specifications, with attention to electrical safety, thermal management, and optical alignment.

OVERALL & CUTTING LENGTHS

Fixtures feature defined overall lengths and specific cutting increments for easy customization. Cutting must be done at marked points to maintain proper function and consistent light output.

JACKET COLOR

The white jackets with diffused white lens covers provide a clean, uniform appearance while softening light output for reduced glare. It enhances visual comfort and delivers smooth, even illumination ideal for architectural and display applications.

BENDING RADIUS

Do not bend smaller than allowed minimum bend diameter, or may cause damage to the light & void warranty.

OPERATION

LIGHT ENGINE

RGB Pulse Width Modulation (PWM) light engines deliver stable, flicker-free light at a fixed brightness. They offer consistent color and reliable performance for long-term applications.

ELECTRICAL

Designed to meet UL, CE, and RoHS standards, they feature overload, overvoltage, and short-circuit protection, along with low EMI and efficient thermal management for safe, reliable operation.

DIMMING

Dimming of 24V PWM fixtures is achieved via the driver or decoder used in the system. Depending on the selected driver/decoder, control options can include 0-10V, DMX, or DALI, enabling smooth, flicker-free dimming while maintaining consistent color and performance. Note: DMX and DALI are supported at the system level, not natively by the fixture.

GENERAL

WARRANTY

Limited 10-Year Warranty against defects in materials and manufacturing. Coverage applies to properly installed and maintained products. Damage from misuse or improper installation is not covered. G.L.L.S. may repair, replace, or issue credit for eligible claims.

LUMEN MAINTENANCE

G.L.L.S. static lighting fixtures are tested to IES LM-84 and projected with IES TM-28 to ensure consistent lumen maintenance. Fixtures are designed to retain at least 70% of their initial brightness (L70) over a 10-year lifespan when properly installed and operated.

CERTIFICATION

Tested to UL2108 Class 2 by Underwriters Laboratory for use in the USA and Canada. Exceeds ANSI C78.377A, CE, and RoHS standards. Must be used under Class 2 ratings to maintain certification.

UL Certificate #: E347880

Report Reference #: E347880-20130503

TESTING

OPTICAL TESTING

| TEST | RESULTS |
|------------------------------|---|
| Spectrum Analysis | IES LM 79 (Lumen, CCT, CRI, XY, SDCM, Wavelength) |
| Photometric Distribution | IES LM 79 |
| Lumen Maintenance & Lifetime | IES LM 84 & IES TM28 |

TEMPERATURE TESTING

| TEST | RESULTS |
|-------------------------|--|
| Normal Temperature Test | UL1598 & UL2388 & IEC60598-1 & IEC60598-2-21 |
| Abnormal Operation Test | UL1598 & UL2388 & IEC60598-1 & IEC60598-2-21 |

ENVIRONMENTAL TESTING

| TEST | RESULTS |
|-----------------------------------|--|
| Salt Water Immersion | IEC60598-1, Saltinity 4% |
| Salt Spray Test | IEC60068-2-11 |
| Outdoor Exposure | Manufacturer-defined |
| Flame Resistance | UL94 |
| UV Exposure | ASTMG 154, ISO 4892-3, UVA @ 340nm & 55 |
| IPX8 | EN 60598-1: 2015+A1:2018 Clause 9.2.2 & 9.2.8 |
| Temperature Shock(Silicone) | Manufacturer-defined, -40°C - 60°C (typical temperature range) |
| Constant Temperature | Manufacturer-defined |
| 12mm Needle Flame Test (Silicone) | IEC60695-11-5 |
| 650 Glow-wire Test (Silicone) | IEC60695-2-10 |

DURABILITY TESTING

| TEST | RESULTS |
|--------------|---|
| Bending Test | Manufacturer-defined, 500 cycles |
| Tensile Test | Manufacturer-defined, > The weight of light in max. |
| Twist Test | Manufacturer-defined, >200 cycles |
| Ball Impact | UL1598 & UL2388 & IEC60598-1 & IEC60598-2-21 |
| IK | IEC62262 |



VIVID S160: SILICONE - 24V

Indoor & Outdoor Rated Linear Flex Profile - RGB PWM



B

LED COLORS



RGB

FIXTURE SPECIFICATIONS & OPTICAL PARAMETERS - WHITE JACKET + DIFFUSED LENS

| COLOR | LED COUNT | 1 CONNECTOR FULL/DYNAMIC* | 2 CONNECTORS FULL/DYNAMIC* | UL CLASS 2 MAX RUN** | FIXTURE COLOR TOLERANCE*** | WAVELENGTH/ CCT | LED CRI | LED COLOR TOLERANCE | LUMEN COUNT | LEGACY ORDER CODE |
|-------------------------|---------------------------|-----------------------------------|-----------------------------------|----------------------|----------------------------|---|---------|---------------------|---|--------------------|
| R; G; B; R+G+B | 18 LEDs/ft (60 LEDs/m) | 32.8ft (10m) / Not Recommended | 65.6ft (20m) / Not Recommended | 26ft (8m) | N/A | 618-624nm; 522-530nm; 468-474nm; N/A | N/A | 3nm | 15lm/ft (50lm/m); 37lm/ft(120lm/m); 8lm/ft (25lm/m); 59lm/ft (195lm/m) | SF11B1014WERGB24DV |

*Run length is based on a voltage drop calculated using a 0.3 m (0.98 ft) cable with silicone seamless connectors, excluding connector length—refer to specifications for details. Max Run: Dynamic = RGB <100%; Full Load = RGB at 100%. Dynamic load calculations are not recommended for determining max distance of this profile. **For UL Class 2 calculations, GLLS uses a maximum output of 96 W / 96 VA for 24 V circuits, unless otherwise confirmed by the listed driver. All runs are assumed to be single-feed from one Class 2 output. Dual-feeding from separate drivers does not qualify as Class 2 unless the run is electrically split into isolated sections. ***Silicone products maintain ≤3 SDCM within a single production run and <5 SDCM between production runs.



VIVID S160: SILICONE - 24V

Indoor & Outdoor Rated Linear Flex Profile - RGB PWM



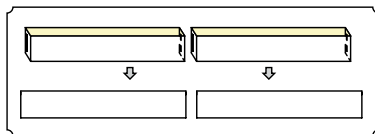
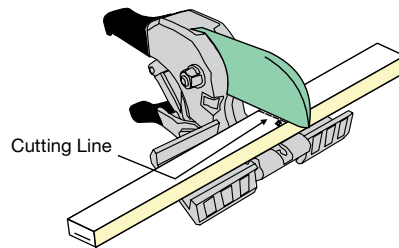
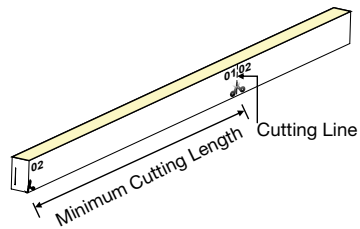
C

POWER & VOLTAGE

| COLOR | VOLTAGE + CIRCUIT TYPE | POWER CONSUMPTION |
|-------|------------------------|-------------------|
| RGB | 24V DC CV | 3.66W/ft (12W/m) |

D

CUTTING INSTRUCTIONS



| COLOR | ORDER UNIT (CUTTING UNIT) |
|-------|---------------------------|
| RGB | 3.94in (100mm) (6 LEDs) |



VIVID S160: SILICONE - 24V

Indoor & Outdoor Rated Linear Flex Profile - RGB PWM



E

COMPATIBLE CONNECTORS

INPUT - 01

| PROFILE | BENDING | WIRING | INPUT CONNECTOR TYPE | INPUT ORIENTATION + TYPE | INPUT CABLE LENGTH (LEAD WIRE) |
|---------|---------|--------|----------------------|--------------------------|--------------------------------|
|---------|---------|--------|----------------------|--------------------------|--------------------------------|

OUTPUT - 02

| PROFILE | BENDING | WIRING | OUTPUT CONNECTOR TYPE | OUTPUT ORIENTATION + TYPE | OUTPUT CABLE LENGTH (LEAD WIRE) |
|----------|----------|---|-----------------------|---|--|
| C = S160 | 1 = Side | 4 = 4 Wire (RGB PWM) 0 = N/A (End Cap) | 7 = Snap | A = End Exit B = Bottom Exit C = Side Left Exit D = Side Right Exit E = End Jumper H = Power T-Feed I = End Cap | 1 = 0.98ft (0.3m) 2 = 3.28ft (1m) 3 = 9.84ft (3m) 4 = 16ft (5m) 5 = 32.81ft (10m) 6 = 49.21ft (15m) 7 = 65.62ft (20m) 8 = N/A |
| | | | 8 = Click | A = End Exit I = End Cap | 1 = 0.98ft (0.3m) 2 = 3.28ft (1m) 3 = 9.84ft (3m) 4 = 16ft (5m) 8 = N/A |
| | | | 2 = Silicone Seamless | A = End Exit B = Bottom Exit C = Side Left Exit D = Side Right Exit E = End Jumper H = Power T-Feed I = End Cap | 1 = 0.98ft (0.3m) 2 = 3.28ft (1m) 3 = 9.84ft (3m) 4 = 16ft (5m) 5 = 32.81ft (10m) 6 = 49.21ft (15m) 7 = 65.62ft (20m) 8 = N/A |

LEGACY CONNECTOR ORDER CODE

| XX | 11B | 1 | 01 | XX | XX | X | XX | XXX | X |
|--|------------|----------|----------------|--|---|---|--|--|--|
| PRODUCT TYPE | PROFILE | BENDING | LIGHT EMITTING | FUNCTIONALITY | CONNECTOR TYPE | FIXTURE END | EXIT TYPE | LENGTH | |
| NA = DIY Accessories FA = Factory Accessories | 11B = S160 | 1 = Side | 01 = 11B | 2W = Static 3W = Tunable White/SPI-Pixel 4W = RGB 5W = RGBW 5D = DMX-Pixel 0W = For End Cap | SV = Swivel CL = Click SC = Snap SE = Seamless | 1 = Input Side 2 = Output Side 0 = Jumpers/T-feeds/Seamless Bottom/Seamless End 3 = 01 Input/02 Output | EN = End BO = Bottom SL = Side Left SR = Side Right EJ = End Jumper BJ = Bottom Jumper TF = Power Feed EC = End Cap | 0M3 = 0.98ft (30cm) 01M = 3.28ft (1m) 03M = 9.84ft (3m) 05M = 16ft (5m) 10M = 32.81ft (10m) 000 = For End Cap | P = Power or For End Cap S = Signal & Power |



VIVID S160: SILICONE - 24V

Indoor & Outdoor Rated Linear Flex Profile - RGB PWM



E

SNAP CONNECTOR

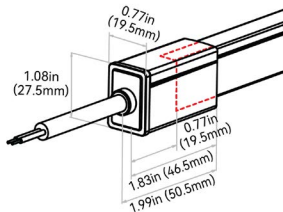


NOTES:

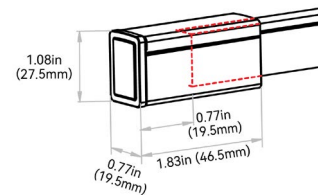
1. Connector Tolerance ± 0.02 in (0.5mm)
2. Cable diameter: Static, Tunable, RGB, RGBW & SPI Silicone = 0.26in (6.5mm)
3. Do not apply force to the feed cable
4. Ensure Max. Cable Lengths are followed according to wire gage to avoid voltage drop

IP67, tool-less; good solution for protection from water ingress; larger connector & anti-wicking ferrule. Recommended for wet environments and on-site length adjustments. To seal the end of light and ensure the waterproof in case of any cutting or extension on site, Insulfit technology prevents the water or vapor ingress from the end of the light. DryWire technology applied on the cable eliminates the capillary phenomenon through wires, which secured the long-term reliability in any wading environments. DIY or custom factory assembly.

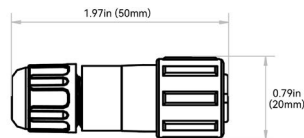
END EXIT: C147A#



END CAP: C107I8

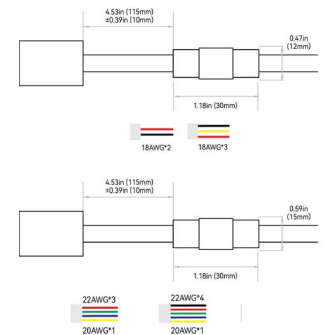


SCREW LOCK CONNECTOR ACCESSORY - IP67



NOTE: The tolerance is ± 0.08 in (2mm).

ANTI-WICKING FERRULE:



NOTES:

1. The anti-wicking ferrule is located at 4.53in (115mm) (± 0.39 in [± 10 mm] tolerance) from the connector on the cable. For protection against water ingress.
2. The removal of anti-wicking ferrule will void the warranty if any water ingress caused by it.



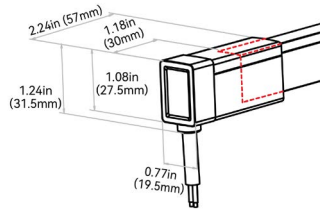
VIVID S160: SILICONE - 24V

Indoor & Outdoor Rated Linear Flex Profile - RGB PWM

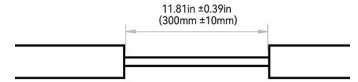
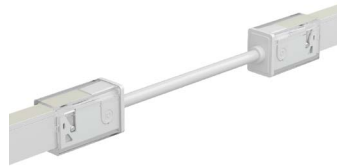


E

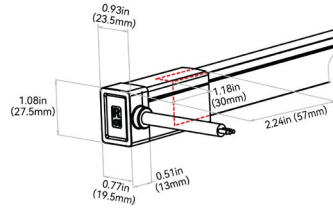
BOTTOM EXIT: C147B#



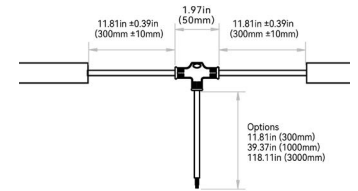
END JUMPER: C147E1



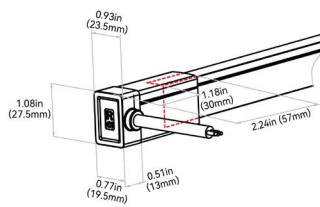
SIDE LEFT EXIT: C147C#



POWER T-FEED: C147H#



SIDE RIGHT EXIT: C147D#



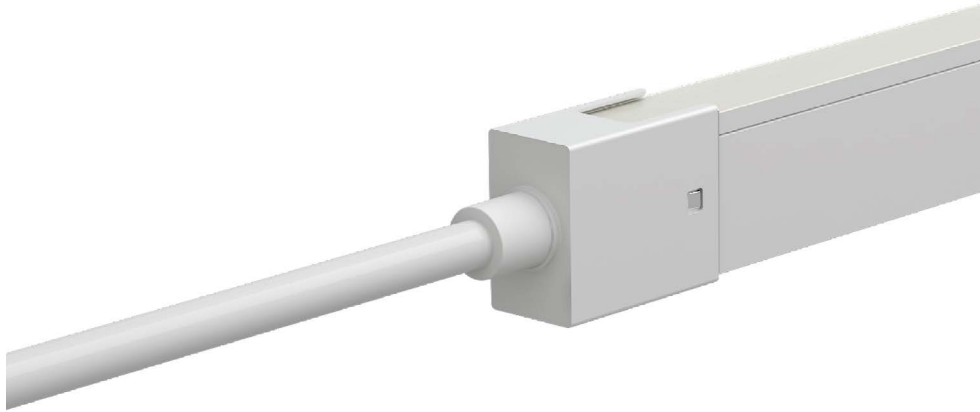
VIVID S160: SILICONE - 24V

Indoor & Outdoor Rated Linear Flex Profile - RGB PWM



E

CLICK CONNECTOR

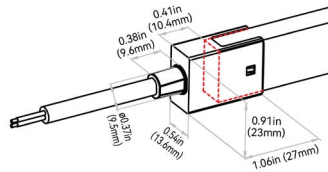


NOTES:

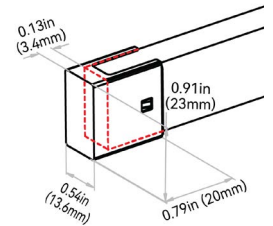
1. Connector Tolerance ± 0.02 in (0.5mm)
2. Cable diameter: Static, Tunable, RGB & SPI Silicone = 0.26in (6.5mm)
3. Do not apply force to the feed cable
4. Ensure Max. Cable Lengths are followed according to wire gage to avoid voltage drop

IP67; tool-less & mini size. Recommended for outdoor environments & for onsite length adjustments. Click connector, a new type of field-assembly connector for outdoor use, brass casing, features unexceptional adaptability and excellent weather resistance. It achieves the unique balance between waterproof performance and physical dimension, highly functional yet incredibly minimal, giving you an extraordinary visual experience due to the less dark area at the jointing area. The whole assembling process is tool-less and quick, benefiting from its simple but smart structure design. The remarkable innovation lies in the invisible waterproof pretreatment on the cable, which facilitates the wiring and slotting on the site greatly as the extra anti-wicking ferrule on the cable is no longer needed. DIY or custom factory assembly.

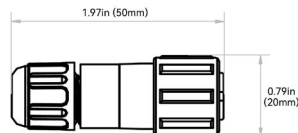
END EXIT: C148A#



END CAP: C108I8



SCREW LOCK CONNECTOR ACCESSORY - IP67



NOTE: The tolerance is ± 0.08 in (2mm).



VIVID S160: SILICONE - 24V

Indoor & Outdoor Rated Linear Flex Profile - RGB PWM



E

SILICONE SEAMLESS CONNECTOR

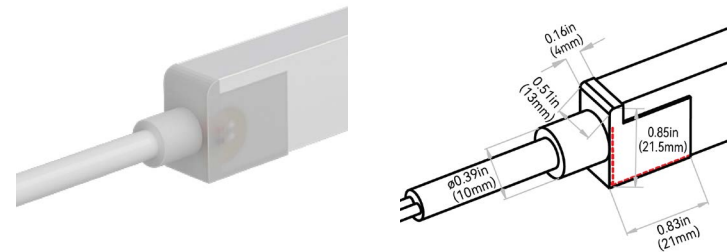


NOTES:

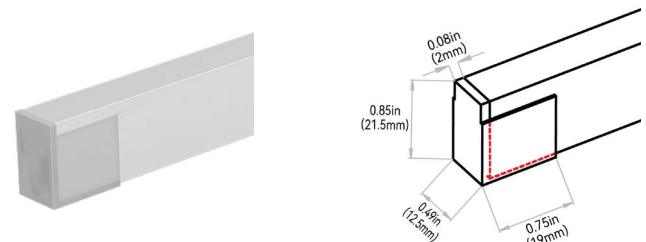
1. Connector Tolerance ± 0.02 in (0.5mm)
2. Cable diameter: Static, Tunable, RGB, RGBW & SPI Silicone = 0.26in (6.5mm) & DMX Silicone = 0.27in (6.8mm)
3. Do not apply force to the feed cable
4. Ensure Max. Cable Lengths are followed according to wire gage to avoid voltage drop

IP68; seamless; precise low profile dimension; high grade quality silicone & anti-wicking ferrule. Recommended for; wet environments; custom predetermined lengths; high/ low temperatures; increased humidity; direct UV exposure; harsh working conditions & increased handling forces during installation. Precision milling and special glue Silicone liquid injection-moulded workmanship enables an almost consistent size between connectors and lightbody, and the transparent terminal of the connector allows the seamless effects spliced end by end. DryWire technology applied on the cable eliminates the capillary phenomenon through wires, which secured the long-term reliability in outdoor or any wet environments. Custom factory assembly.

END EXIT: C142A#



END CAP: C102I8

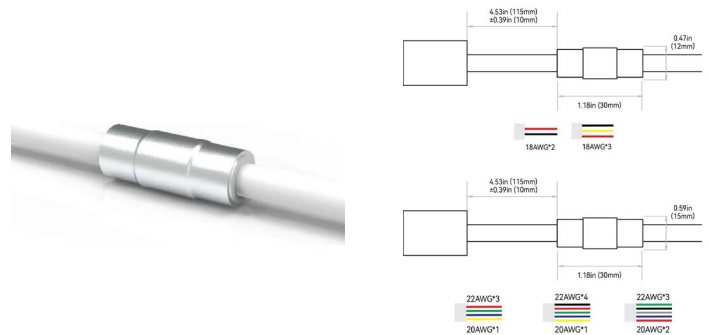


SCREW LOCK CONNECTOR ACCESSORY - IP67



NOTE: The tolerance is ± 0.08 in (2mm).

ANTI-WICKING FERRULE:



NOTES:

1. The anti-wicking ferrule is located at 4.53in (115mm) (± 0.39 in [± 10 mm] tolerance) from the connector on the cable. For protection against water ingress.
2. The removal of anti-wicking ferrule will void the warranty if any water ingress caused by it.

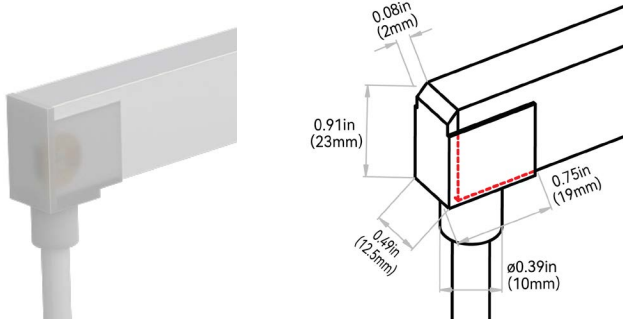


VIVID S160: SILICONE - 24V

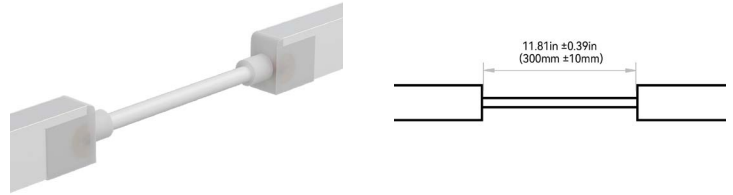
Indoor & Outdoor Rated Linear Flex Profile - RGB PWM

E

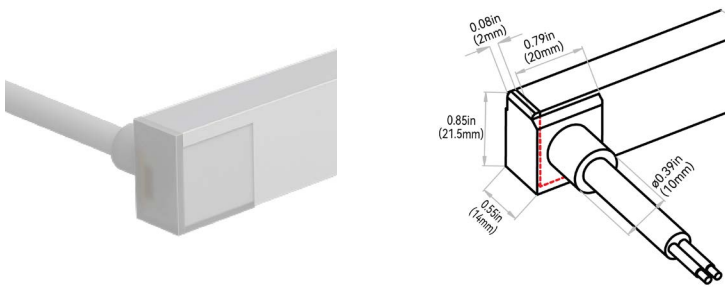
BOTTOM EXIT: C142B#



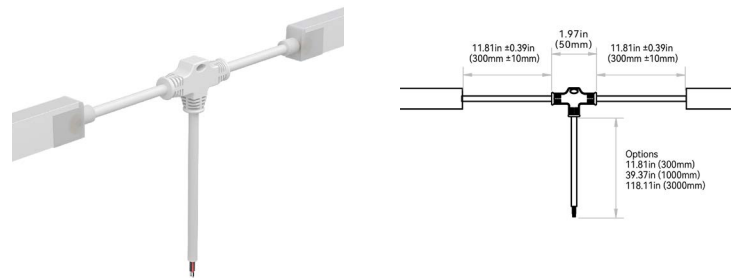
END JUMPER: C142E1



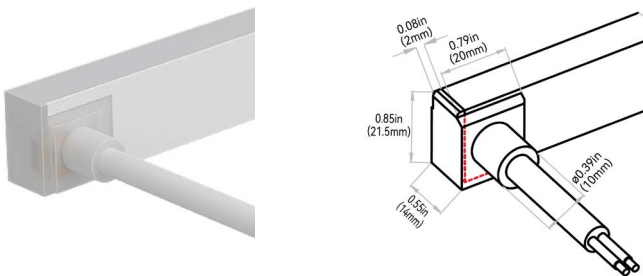
SIDE LEFT EXIT: C142C#



POWER T-FEED: C142H#



SIDE RIGHT EXIT: C142D#



VIVID S160: SILICONE - 24V

Indoor & Outdoor Rated Linear Flex Profile - RGB PWM



F

MOUNTING PROFILES

| MOUNTING PROFILE TYPE | STANDARD LENGTH | PROFILE | COLOR | BENDING | |
|--------------------------------------|--|------------------------|--------------|----------|--------------------------------------|
| A1 = Aluminum Basic | 2 = 1.38in (35mm) 3 = 19.68in (500mm) 5 = 39.37in (1000mm) 6 = 78.74in (2000mm) | C=S Series (S160/S270) | 1 = Standard | 1 = Side | |
| A2 = Aluminum Recessed | 2 = 1.38in (35mm) 3 = 19.68in (500mm) 5 = 39.37in (1000mm) 6 = 78.74in (2000mm) | | | | |
| A3 = Aluminum Recessed Silicone Grip | 1 = 0.79in (20mm) 3 = 19.68in (500mm) 5 = 39.37in (1000mm) 6 = 78.74in (2000mm) | | | | |
| A4 = Aluminum Silicone Grip | 1 = 0.79in (20mm) 3 = 19.68in (500mm) 5 = 39.37in (1000mm) 6 = 78.74in (2000mm) | | | | |
| A5 = Aluminum Flexible | 3 = 19.68in (500mm) 5 = 39.37in (1000mm) | | | | |
| A8 = Aluminum Raceway | 3 = 19.68in (500mm) 5 = 39.37in (1000mm) 6 = 78.74in (2000mm) | | | | |
| A9 = Aluminum Raceway Suspended | 3 = 19.68in (500mm) 5 = 39.37in (1000mm) 6 = 78.74in (2000mm) | | | | |
| P1 = Plastic Reinforced | 2 = 1.38in (35mm) 3 = 19.68in (500mm) 5 = 39.37in (1000mm) 6 = 78.74in (2000mm) | | | | |
| C1 = Silicone Flexible | B = 4.33in (110mm) C = 7.87in (200mm) 3 = 19.68in (500mm) 5 = 39.37in (1000mm) | | | | 2 = Black 3 = White 0 = Custom |
| S1 = Stainless Steel Clips | 2 = 1.38in (35mm) | | | | 1 = Standard |



VIVID S160: SILICONE - 24V

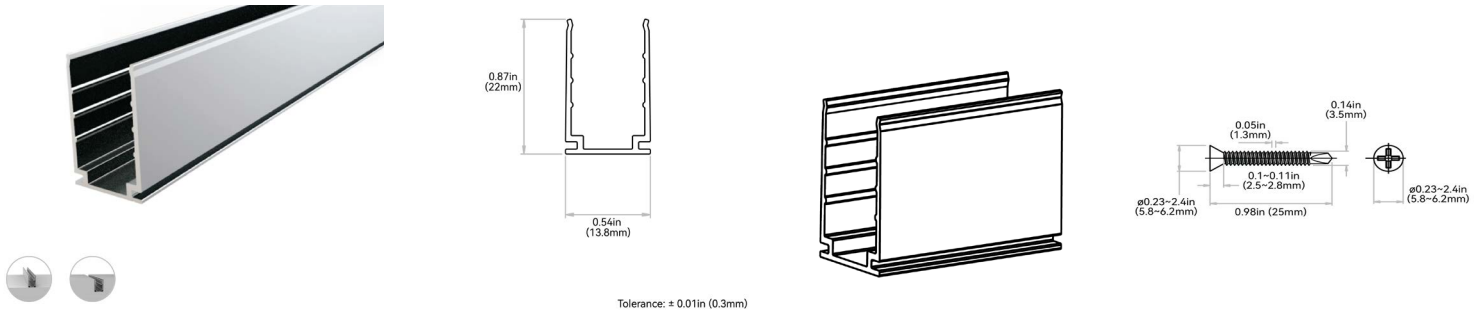
Indoor & Outdoor Rated Linear Flex Profile - RGB PWM



F

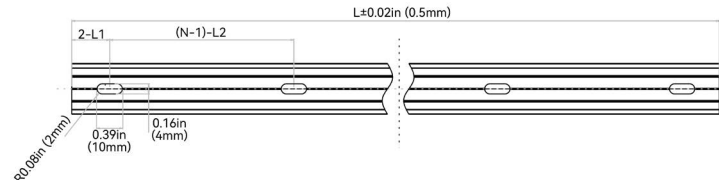
ALUMINUM PROFILE - BASIC

High-quality 6063 aluminum with thin-wall, light-weight design to fit the fixture tightly. It is deformation and rust resistant, and cost-effective. Please refer to install manual for proper installation practices..



Tolerance: ± 0.01in (0.3mm)

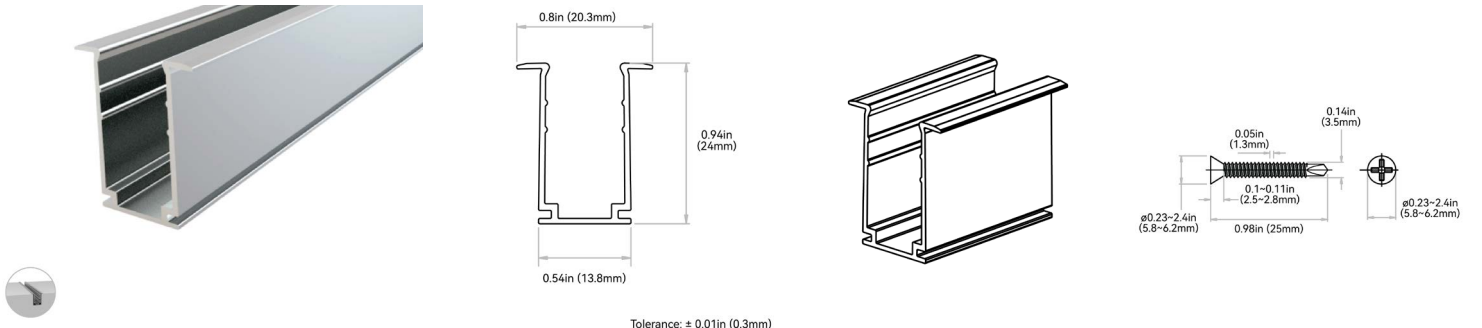
NOTES: 1. 2-L1 refers to two of symmetric L1 in each piece of profile.
2. (N-1)-L2 refers to (N minus one) of symmetric L2 in each piece of profile.
"N" hereby stands for its corresponding "Hole Number" in the below table



| ORDER CODE | LEGACY CODE | STANDARD LENGTH | L1 | L2 | SLOTTED HOLE | HOLE # |
|------------|--------------|------------------|-----------------|----------------|----------------------|--------|
| A12C11 | CL11RAL3C5SD | 1.38in (35mm) | 0.69in (17.5mm) | N/A | 0.16*0.39in (4*10mm) | 1 |
| A13C11 | CH11RAL0M5SD | 19.68in (500mm) | 1.97in (50mm) | 7.87in (200mm) | 0.16*0.39in (4*10mm) | 3 |
| A15C11 | CH11RAL01MSD | 39.37in (1000mm) | 3.93in (100mm) | 7.87in (200mm) | 0.16*0.39in (4*10mm) | 5 |
| A16C11 | CH11RAL02MSD | 78.74in (2000mm) | 3.93in (100mm) | 7.87in (200mm) | 0.16*0.39in (4*10mm) | 10 |

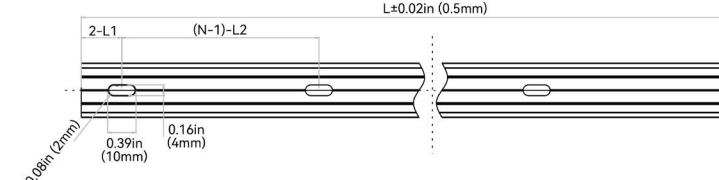
ALUMINUM PROFILE - RECESSED

High-quality 6063 aluminum with thin-wall, light-weight design to fit the fixture tightly. Recommended on projects with lighting mounted recessed in a cavity so only the lens is shown. It is deformation and rust resistant, and cost-effective. Please refer to install manual for proper installation practices.



Tolerance: ± 0.01in (0.3mm)

NOTES: 1. 2-L1 refers to two of symmetric L1 in each piece of profile.
2. (N-1)-L2 refers to (N minus one) of symmetric L2 in each piece of profile.
"N" hereby stands for its corresponding "Hole Number" in the below table



| ORDER CODE | LEGACY ORDER CODE | STANDARD LENGTH | L1 | L2 | SLOTTED HOLE | HOLE # |
|------------|-------------------|------------------|-----------------|----------------|----------------------|--------|
| A22C11 | CL11RRA3C5SD | 1.38in (35mm) | 0.69in (17.5mm) | N/A | 0.16*0.39in (4*10mm) | 1 |
| A23C11 | CH11RRA0M5SD | 19.68in (500mm) | 1.97in (50mm) | 7.87in (200mm) | 0.16*0.39in (4*10mm) | 3 |
| A25C11 | CH11RRA01MSD | 39.37in (1000mm) | 3.93in (100mm) | 7.87in (200mm) | 0.16*0.39in (4*10mm) | 5 |
| A26C11 | CH11RRA02MSD | 78.74in (2000mm) | 3.93in (100mm) | 7.87in (200mm) | 0.16*0.39in (4*10mm) | 10 |



VIVID S160: SILICONE - 24V

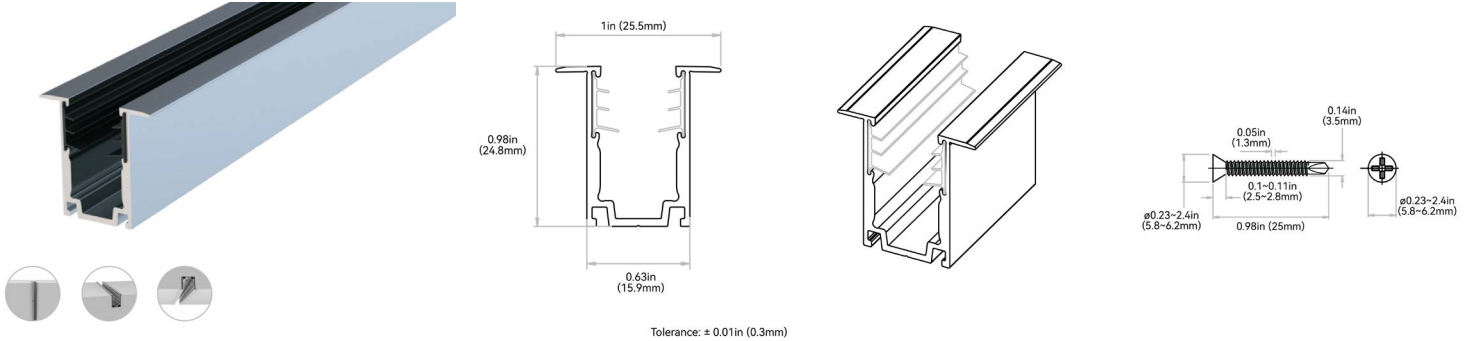
Indoor & Outdoor Rated Linear Flex Profile - RGB PWM



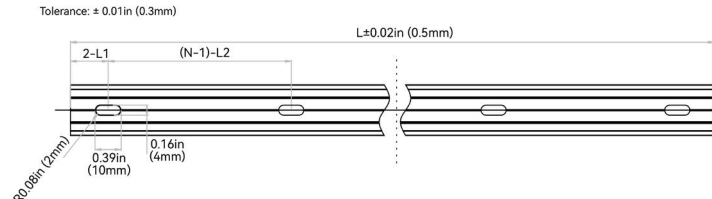
F

ALUMINUM PROFILE - RECESSED - SILICONE GRIP

High-quality 6063 aluminum with thin-wall, light-weight design to fit the fixture tightly. Includes a serrated silicone grip insert designed to hold fixture with additional force. Recommended on projects mounted upside down with lighting mounted recessed in a cavity so only the lens is shown. It is deformation and rust resistant, and cost-effective. Please refer to install manual for proper installation practices.



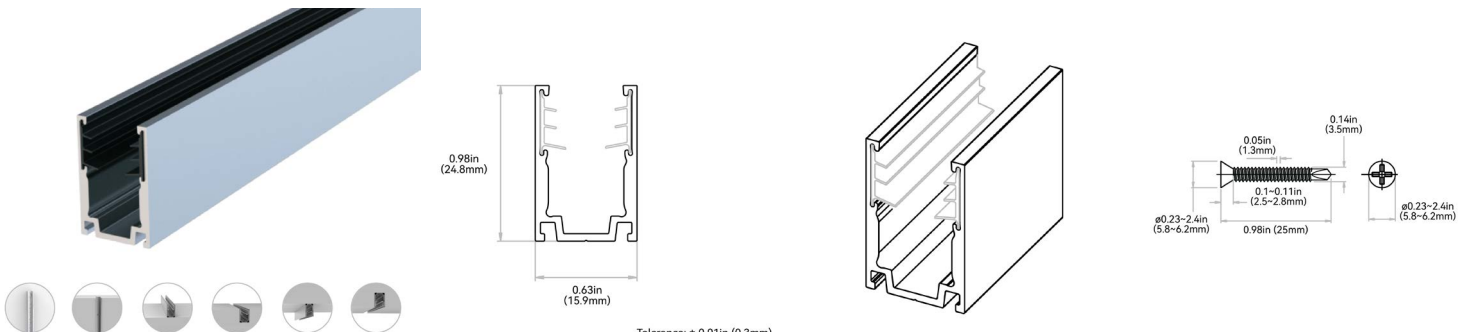
NOTES: 1. 2-L1 refers to two of symmetric L1 in each piece of profile.
 2. (N-1)-L2 refers to (N minus one) of symmetric L2 in each piece of profile.
 "N" hereby stands for its corresponding "Hole Number" in the below table



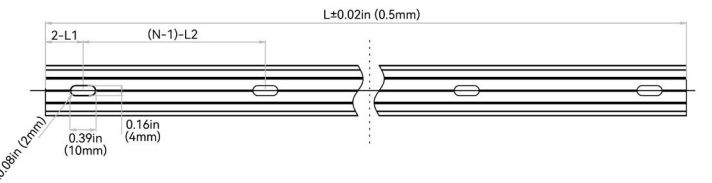
| ORDER CODE | LEGACY ORDER CODE | STANDARD LENGTH | L1 | L2 | SLOTTED HOLE | HOLE # |
|------------|-------------------|------------------|----------------|----------------|----------------------|--------|
| A31C11 | CL11RRA02CSE | 0.79in (20mm) | 0.39in (10mm) | N/A | 0.16*0.39in (4*10mm) | 1 |
| A33C11 | CH11RRA0M5SE | 19.68in (500mm) | 1.97in (50mm) | 7.87in (200mm) | 0.16*0.39in (4*10mm) | 3 |
| A35C11 | CH11RRA01MSE | 39.37in (1000mm) | 3.93in (100mm) | 7.87in (200mm) | 0.16*0.39in (4*10mm) | 5 |
| A36C11 | CH11RRA02MSE | 78.74in (2000mm) | 3.93in (100mm) | 7.87in (200mm) | 0.16*0.39in (4*10mm) | 10 |

ALUMINUM PROFILE - SILICONE GRIP

High-quality 6063 aluminum with thin-wall, light-weight design. Includes a serrated silicone grip insert designed to hold fixture with additional force. Recommended on projects mounted upside down. It is deformation and rust resistant, and cost-effective. Please refer to install manual for proper installation practices.



NOTES: 1. 2-L1 refers to two of symmetric L1 in each piece of profile.
 2. (N-1)-L2 refers to (N minus one) of symmetric L2 in each piece of profile.
 "N" hereby stands for its corresponding "Hole Number" in the below table



| ORDER CODE | LEGACY ORDER CODE | STANDARD LENGTH | L1 | L2 | SLOTTED HOLE | HOLE # |
|------------|-------------------|------------------|----------------|----------------|----------------------|--------|
| A41C11 | CL11RAL02CSE | 0.79in (20mm) | 0.39in (10mm) | N/A | 0.16*0.39in (4*10mm) | 1 |
| A43C11 | CH11RAL0M5SE | 19.68in (500mm) | 1.97in (50mm) | 7.87in (200mm) | 0.16*0.39in (4*10mm) | 3 |
| A45C11 | CH11RAL01MSE | 39.37in (1000mm) | 3.93in (100mm) | 7.87in (200mm) | 0.16*0.39in (4*10mm) | 5 |
| A46C11 | CH11RAL02MSE | 78.74in (2000mm) | 3.93in (100mm) | 7.87in (200mm) | 0.16*0.39in (4*10mm) | 10 |



VIVID S160: SILICONE - 24V

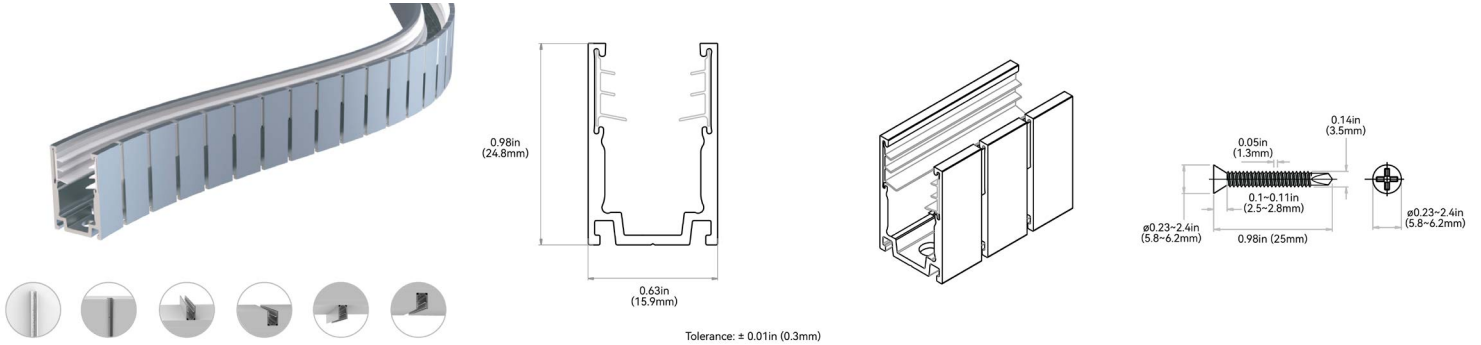
Indoor & Outdoor Rated Linear Flex Profile - RGB PWM



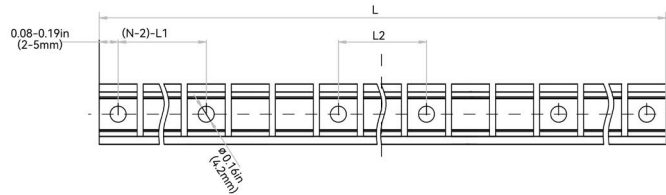
F

ALUMINUM PROFILE - FLEXIBLE

It is an expanded design of the flexible aluminum profile, and caters for the continuously streamlined aesthetics of curve shape. The secondary precision cutting process, not only maintains the advantage of clamping force, but also enables the two-way side bending directions with super shape memory. Please refer to install manual for proper installation practices.



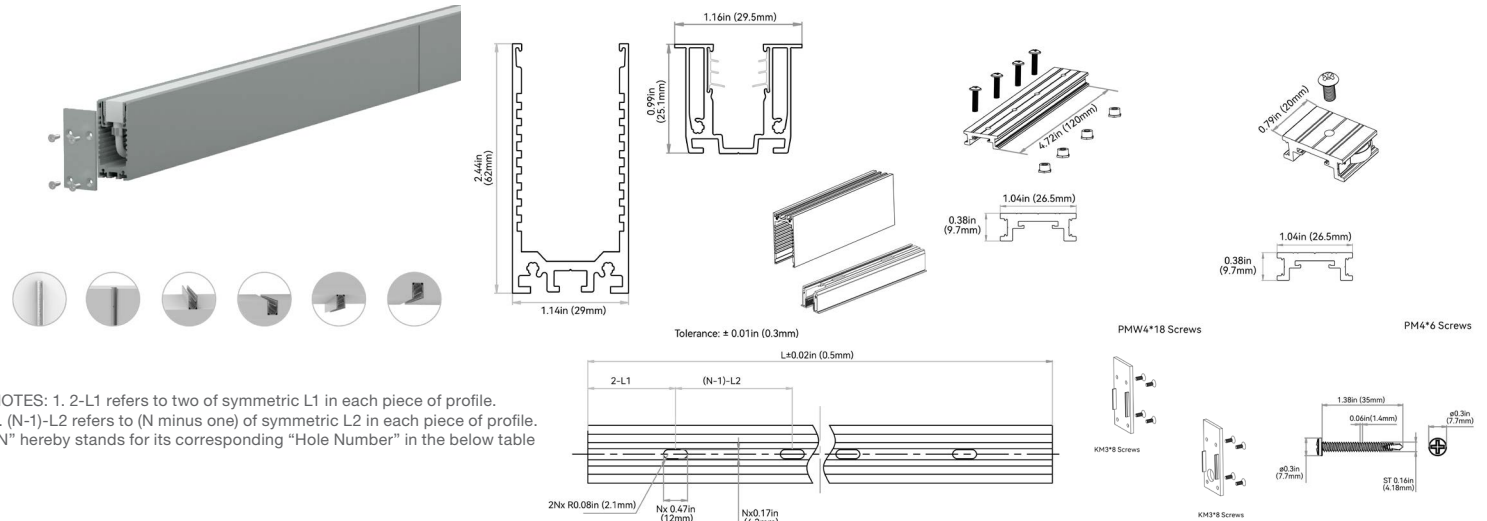
NOTES: 1. 2-L1 refers to two of symmetric L1 in each piece of profile.
2. (N-1)-L2 refers to (N minus one) of symmetric L2 in each piece of profile.
"N" hereby stands for its corresponding "Hole Number" in the below table



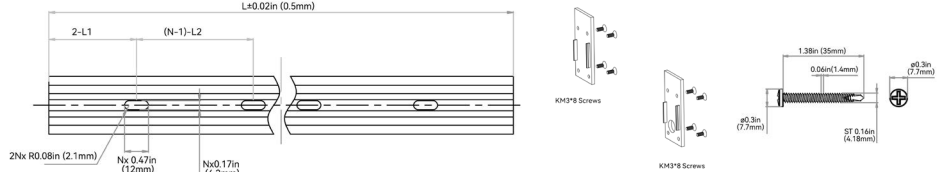
| ORDER CODE | LEGACY ORDER CODE | STANDARD LENGTH | L1 | L2 | SLOTTED HOLE | HOLE # |
|------------|-------------------|------------------|------------------|-----------------|------------------|--------|
| A53C11 | CH11FAL0M5SE | 19.68in (500mm) | 4.34in (110.3mm) | 1.92in (48.9mm) | Ø 0.17in (4.2mm) | 6 |
| A55C11 | CH11FAL01MSE | 39.37in (1000mm) | 4.59in (116.5mm) | 3.89in (98.8mm) | Ø 0.17in (4.2mm) | 10 |

ALUMINUM PROFILE - RACEWAY

High-quality 6063 thin-wall aluminum, light-weight design featuring hidden cables. The raceway space is enough to conceal seamless connectors with bottom feed and the general male/female connectors. It is superb for the facade where tidiness is required and the scenarios that lack of space for wiring. Please refer to install manual for proper installation practices.



NOTES: 1. 2-L1 refers to two of symmetric L1 in each piece of profile.
2. (N-1)-L2 refers to (N minus one) of symmetric L2 in each piece of profile.
"N" hereby stands for its corresponding "Hole Number" in the below table



| ORDER CODE | LEGACY ORDER CODE | STANDARD LENGTH | L1 | L2 | SLOTTED HOLE | HOLE # |
|------------|-------------------|------------------|----------------|----------------|------------------------|--------|
| A83C11 | CH11RAL0M5RS | 19.68in (500mm) | 1.97in (50mm) | 7.87in (200mm) | 0.18*0.47in (4.5*12mm) | 3 |
| A85C11 | CH11RAL01MRS | 39.37in (1000mm) | 3.93in (100mm) | 7.87in (200mm) | 0.18*0.47in (4.5*12mm) | 5 |
| A86C11 | CH11RAL02MRS | 78.74in (2000mm) | 3.93in (100mm) | 7.87in (200mm) | 0.18*0.47in (4.5*12mm) | 10 |



VIVID S160: SILICONE - 24V

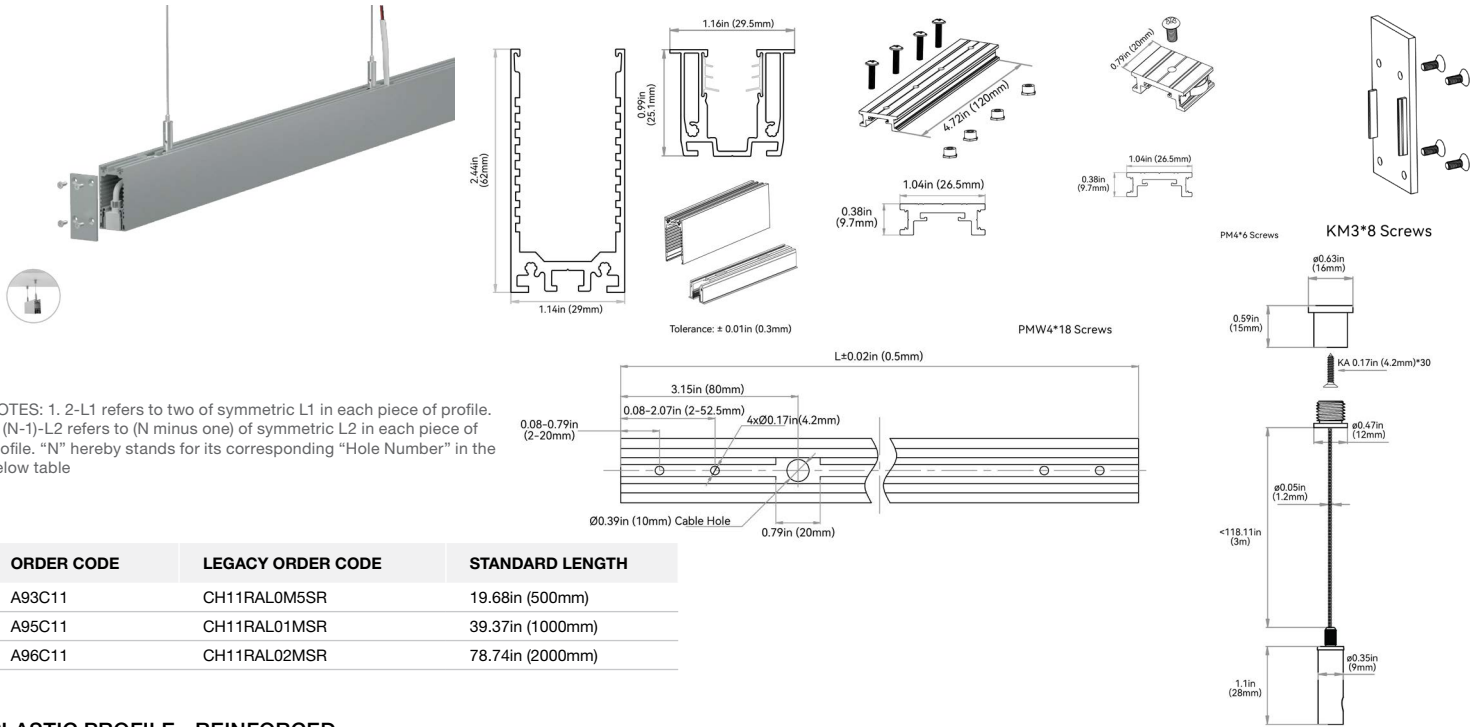
Indoor & Outdoor Rated Linear Flex Profile - RGB PWM



F

ALUMINUM PROFILE - RACEWAY - SUSPENDED

High-quality 6063 thin-wall aluminum, light-weight design featuring hidden cables and suspended by cables from the ceiling. The raceway space is enough to conceal seamless connectors with bottom feed and the general male/female connectors. It is superb for the facade where tidiness is required and the scenarios that lack of space for wiring. Please refer to install manual for proper installation practices.

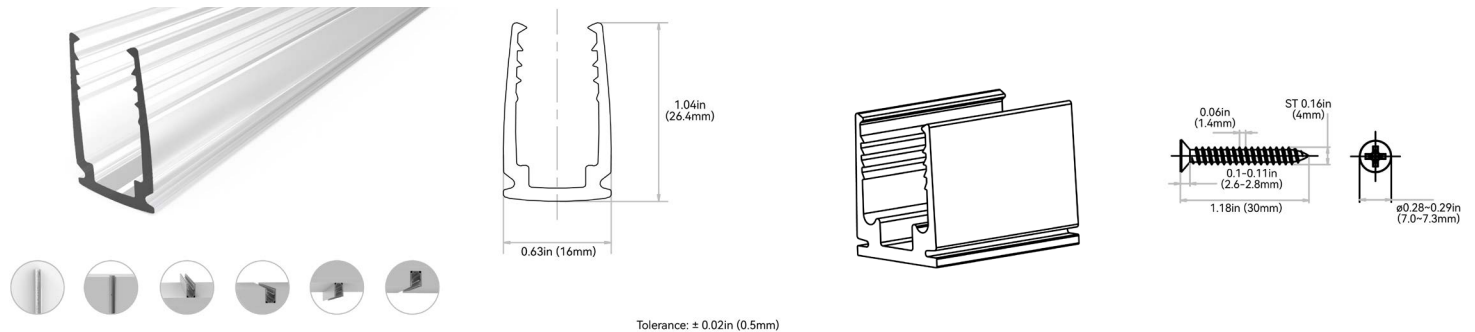


NOTES: 1. 2-L1 refers to two of symmetric L1 in each piece of profile.
 2. (N-1)-L2 refers to (N minus one) of symmetric L2 in each piece of profile. "N" hereby stands for its corresponding "Hole Number" in the below table

| ORDER CODE | LEGACY ORDER CODE | STANDARD LENGTH |
|------------|-------------------|------------------|
| A93C11 | CH11RAL0M5SR | 19.68in (500mm) |
| A95C11 | CH11RAL01MSR | 39.37in (1000mm) |
| A96C11 | CH11RAL02MSR | 78.74in (2000mm) |

PLASTIC PROFILE - REINFORCED

High Quality rigid plastic designed to securely hold fixtures. Recommended for use in extreme environments susceptible to increased water/humidity (SPA's and pools). Please refer to install manual for proper installation practices.



NOTES: 1. 2-L1 refers to two of symmetric L1 in each piece of profile.
 2. (N-1)-L2 refers to (N minus one) of symmetric L2 in each piece of profile. "N" hereby stands for its corresponding "Hole Number" in the below table

| ORDER CODE | LEGACY ORDER CODE | STANDARD LENGTH | L1 | L2 | SLOTTED HOLE | HOLE # |
|------------|-------------------|------------------|-----------------|----------------|-----------------------|--------|
| P12C11 | CL11RTP3C5SD | 1.38in (35mm) | 0.69in (17.5mm) | N/A | 0.18*0.31in (4.5*8mm) | 1 |
| P13C11 | CH11RPL0M5SD | 19.68in (500mm) | 1.97in (50mm) | 7.87in (200mm) | 0.18*0.31in (4.5*8mm) | 3 |
| P15C11 | CH11RPL01MSD | 39.37in (1000mm) | 3.93in (100mm) | 7.87in (200mm) | 0.18*0.31in (4.5*8mm) | 5 |
| P16C11 | CH11RPL02MSD | 78.74in (2000mm) | 3.93in (100mm) | 7.87in (200mm) | 0.18*0.31in (4.5*8mm) | 10 |



VIVID S160: SILICONE - 24V

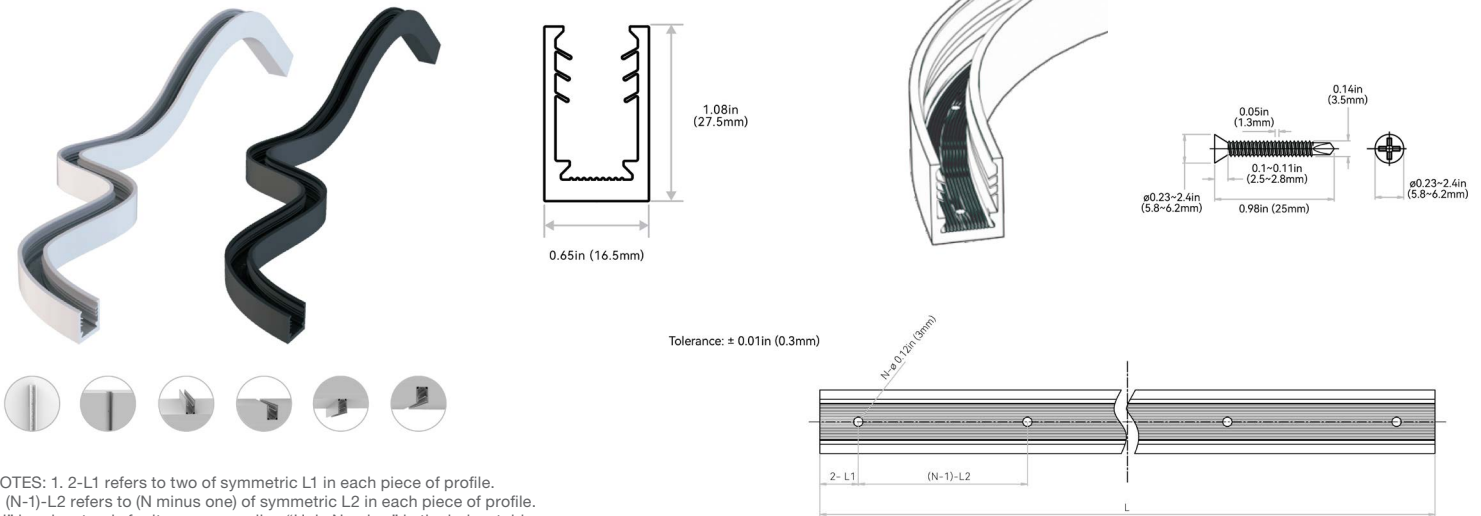
Indoor & Outdoor Rated Linear Flex Profile - RGB PWM



F

SILICONE PROFILE - FLEXIBLE

An all-in-one mounting profile designed to unleash your creativity. This profile not only provides flexibility in installation methods, but also overcomes bending limitations by offering both top and side bending in a single profile. Fully encapsulated in UL-certified silicone, it excels in UV, weather, and corrosion resistance, making it suitable for underwater, high and low temperature environments. Elegant and square in appearance, it is available in black or white standard colors, or bespoke colors to blend in with the background. Supported by innovative serrated silicone fins, its clamping strength is strong enough to secure any installation method. Please refer to install manual for proper installation practices. Please refer to install manual for proper installation practices.

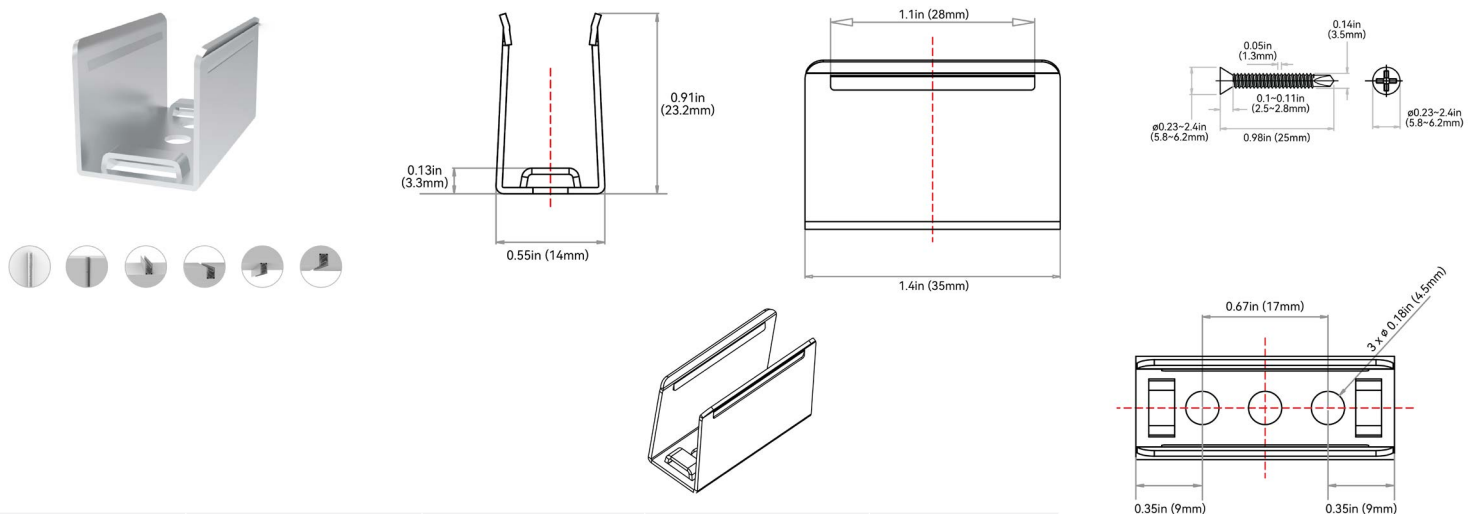


NOTES: 1. 2-L1 refers to two of symmetric L1 in each piece of profile.
 2. (N-1)-L2 refers to (N minus one) of symmetric L2 in each piece of profile.
 "N" hereby stands for its corresponding "Hole Number" in the below table

| ORDER CODE | LEGACY ORDER CODE: WHITE | LEGACY ORDER CODE: BLACK | STANDARD LENGTH | L1 | L2 | SLOTTED HOLE | HOLE # |
|------------|--------------------------|--------------------------|------------------|-----------------|-----------------|----------------|--------|
| C1BC#1 | CH11FAN1C1SEW | CH11FAN1C1SEB | 4.33in (110mm) | 0.46in (11.6mm) | 3.48in (88.4mm) | Ø 0.12in (3mm) | 2 |
| C1CC#1 | CH11FAN0M2SEW | CH11FAN0M2SEB | 7.87in (200mm) | 0.46in (11.6mm) | 3.48in (88.4mm) | Ø 0.12in (3mm) | 3 |
| C13C#1 | CH11FAN0M5SEW | CH11FAN0M5SEB | 19.68in (500mm) | 1.14in (29mm) | 3.48in (88.4mm) | Ø 0.12in (3mm) | 6 |
| C15C#1 | CH11FAN01MSEW | CH11FAN01MSEB | 39.37in (1000mm) | 0.54in (13.8mm) | 3.48in (88.4mm) | Ø 0.12in (3mm) | 12 |

STAINLESS STEEL PROFILE - CLIP

It uses grade 316 stainless steel with excellent property of deformation and rust resistance. The material makes it suitable for humid coastal surroundings and weak acid-base industrial environments that other mounting profiles can't accommodate. The structural design and material characteristics collectively ensure a tight clamping force. It's very convenient and reliable even for suspended installation in the curve shape. Please refer to install manual for proper installation practices.



| ORDER CODE | LEGACY ORDER CODE | STANDARD LENGTH | SLOTTED HOLE | HOLE # |
|------------|-------------------|-----------------|------------------|--------|
| S12C11 | CL11RSS3C5SD | 1.38in (35mm) | Ø 0.18in (4.5mm) | 3 |



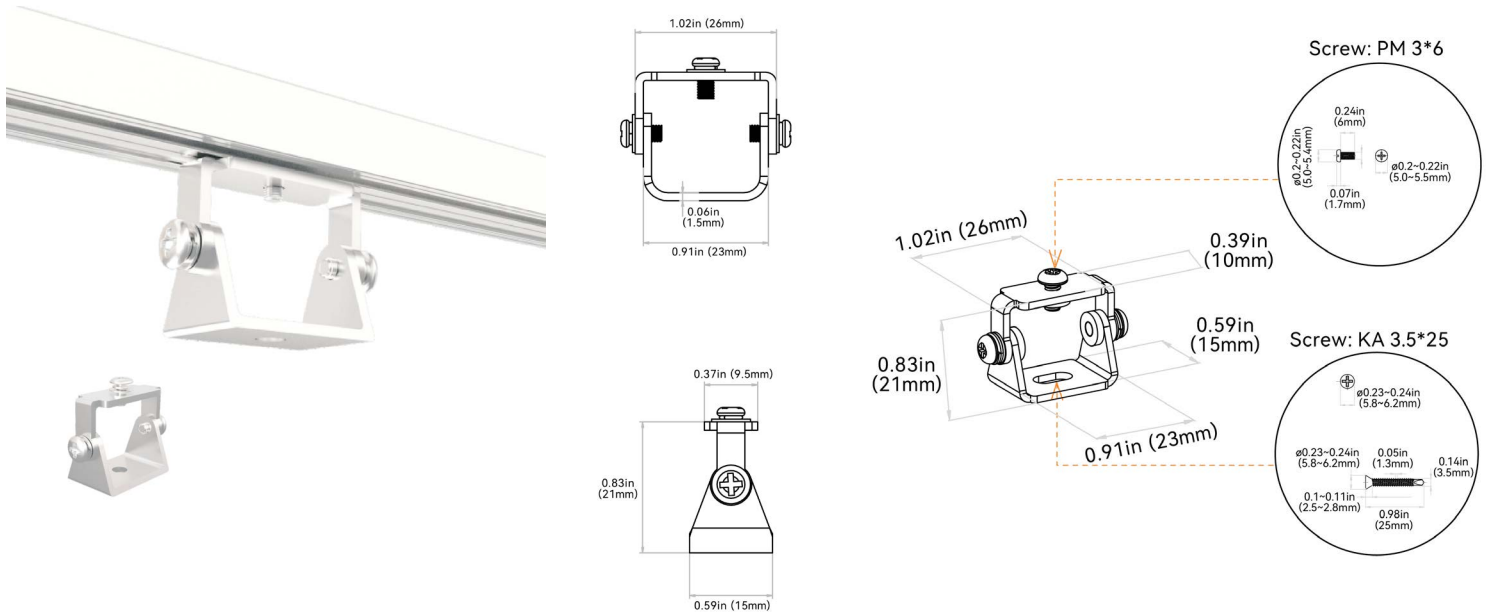
G

MOUNTING ACCESSORIES

| MOUNTING ACCESSORY TYPE | PROFILE |
|--|------------------------|
| MA1 = Pivot Bracket | O = All Profiles |
| MA2 = Rotary Bracket | |
| MA3 = Side Bracket | |
| MA4 = Ceiling Clip | C=S Series (S160/S270) |
| MA5 - Suspended Rod + Clip | |
| MA6 = Suspended Wire Kit | |
| MA7 = Alignment Bracket - Aluminum Basic | |
| MA8 = Alignment Bracket - Aluminum Silicone Grip | |

PIVOT BRACKET: MA10 | MA00PMB00000

Applicable to all mounting profiles.



VIVID S160: SILICONE - 24V

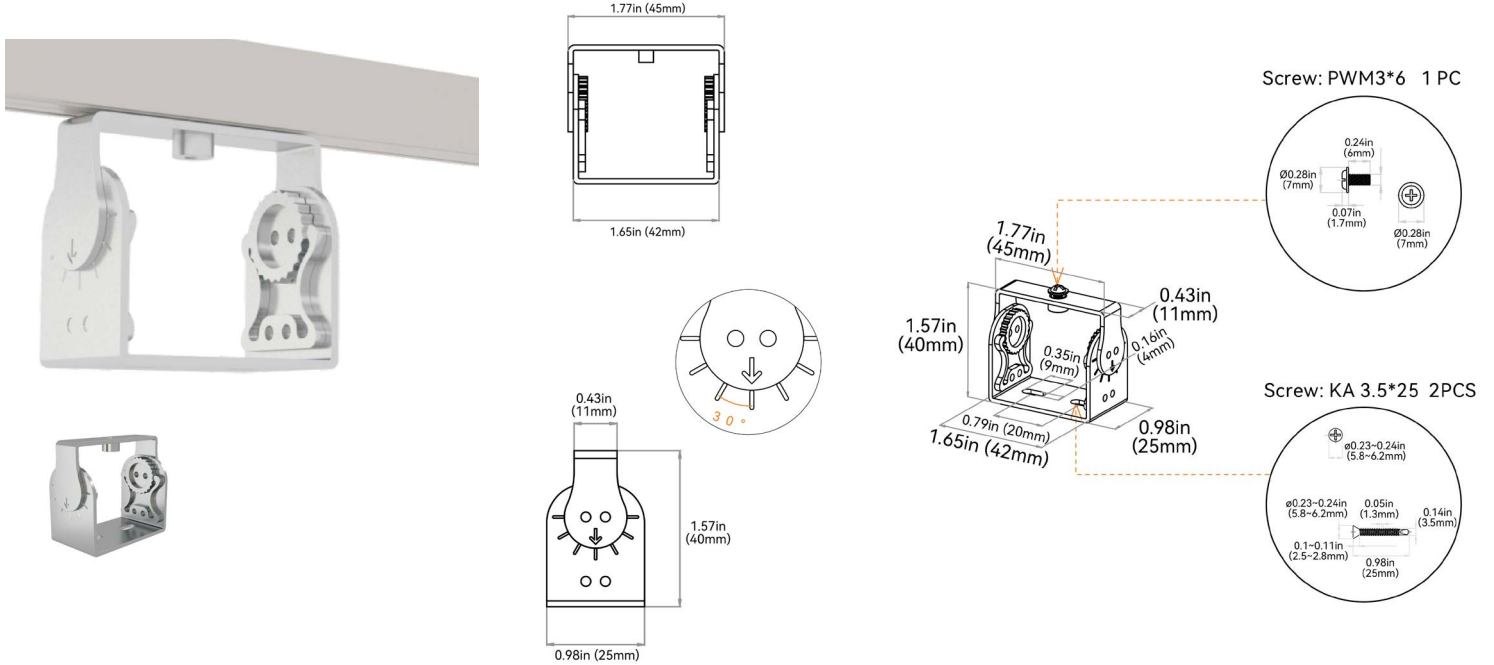
Indoor & Outdoor Rated Linear Flex Profile - RGB PWM



G

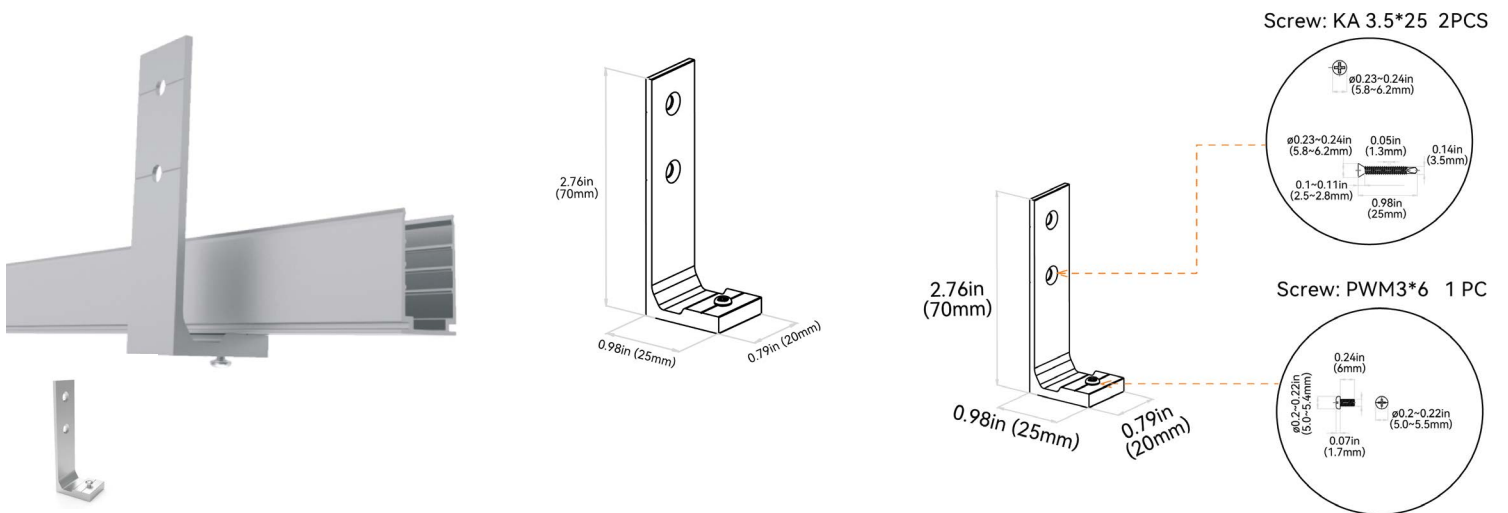
ROTARY BRACKET: MA20 | MA00BRL00000

Applicable to all mounting profiles.



SIDE MOUNTING BRACKET: MA30 | MA00SMB00000

Applicable to all mounting profiles.



VIVID S160: SILICONE - 24V

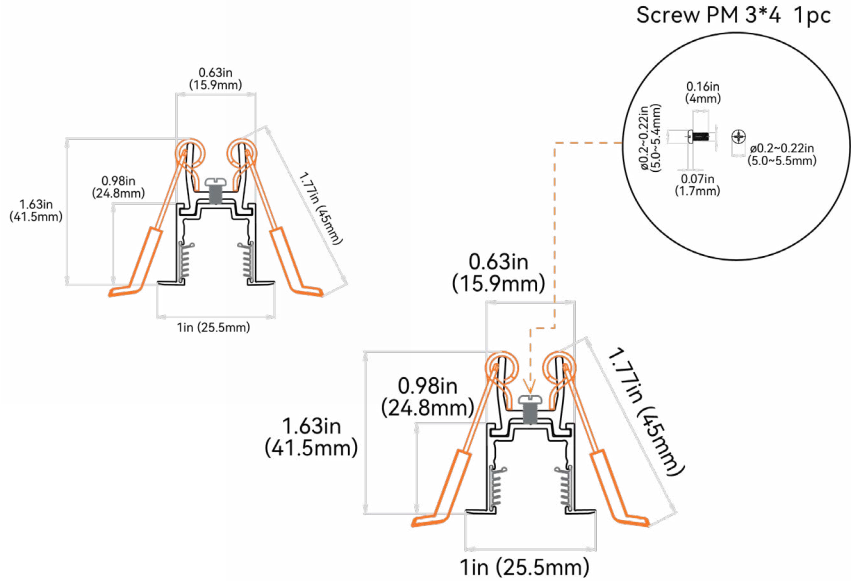
Indoor & Outdoor Rated Linear Flex Profile - RGB PWM



G

CEILING CLIP BRACKET: MA4C | MA11CMC00000

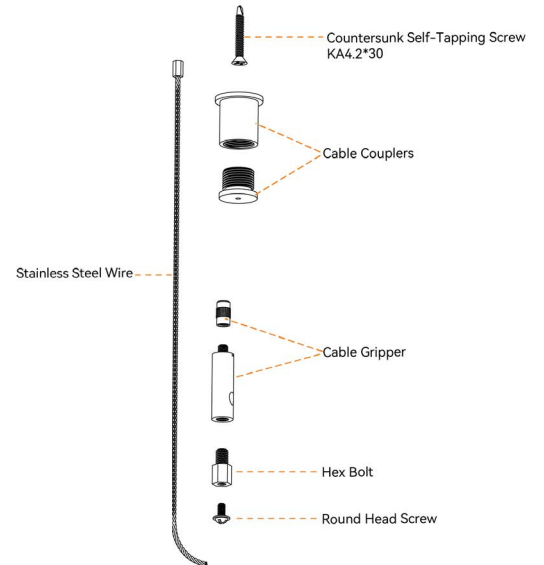
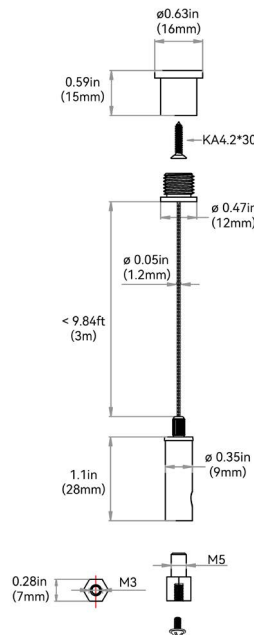
Applicable to aluminum profile - recessed - silicone grip



Screw PM 3*4 1pc

SUSPENDED WIRE: MA6C | MA11SMC000SW

Applicable to Aluminum Profile - Silicone Grip. 2 kits of stainless steel wires for 39.37in (1000mm) of profile & 3 kits of stainless steel wires for 78.74in (2000mm) of profile.



GLLS.COM | 1-888-580-6366

GLLS reserves the right to make any design changes for continuous improvement which will not affect the overall appearance or performance. REV. 20260604

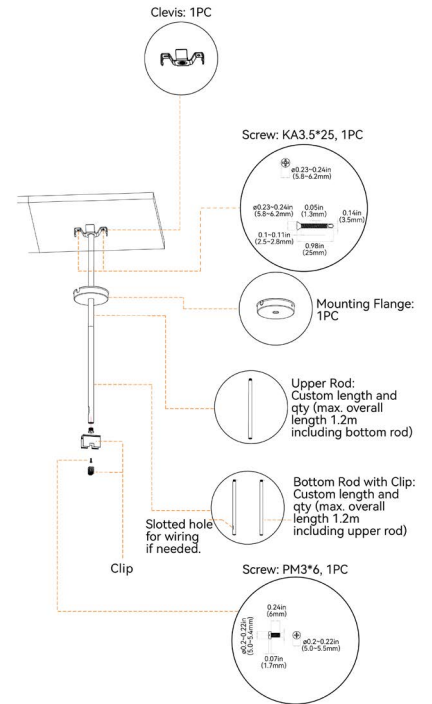
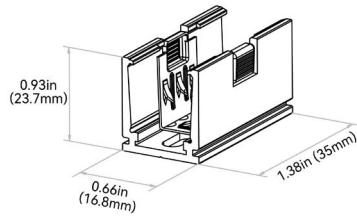
VIVID S160: SILICONE - 24V

Indoor & Outdoor Rated Linear Flex Profile - RGB PWM



G

SUSPENDED MOUNTING CLIP + ROD: MA5C | MA11SMC0M5SR



ALIGNMENT BRACKET - ALUMINUM BASIC: MA7C | CH11AL0M45JB

Applicable to aluminum basic

ALIGNMENT BRACKET - ALUMINUM SILICONE GRIP: MA8C | CH11RAL0M45JB

Applicable to aluminum silicone grip

