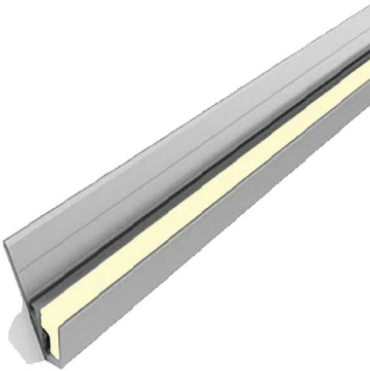


WAVE MINI

Aluminum Profile - 30° Angled

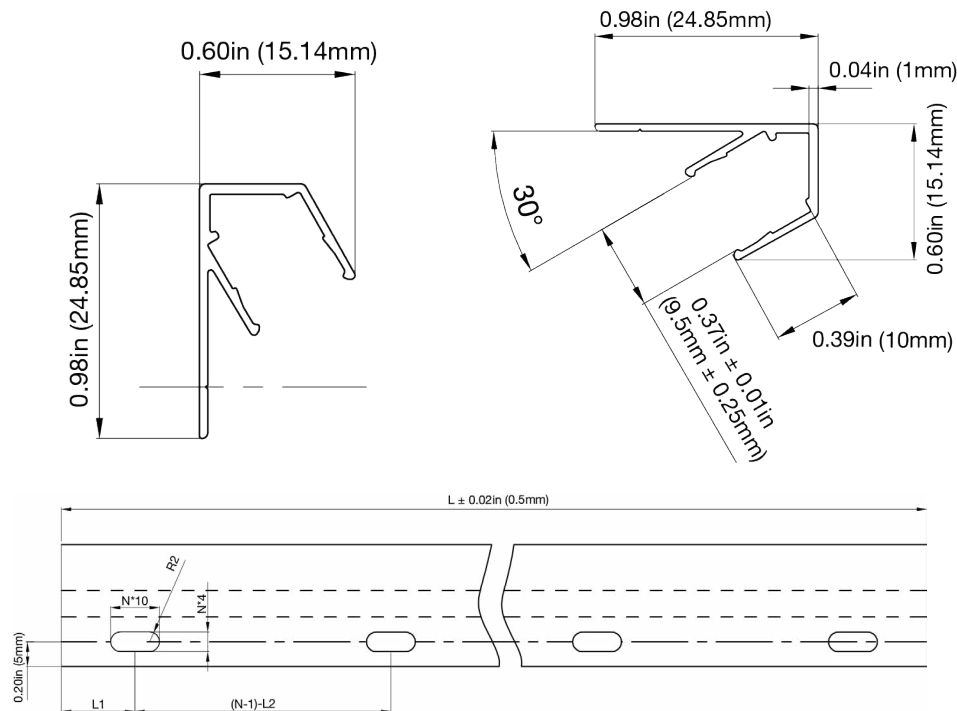
The Wave Mini 30° Angled Aluminum Profile is purpose-built for installations where light placement matters as much as output. Designed specifically for the Wave Mini Profile, the 30° extrusion directs illumination precisely where it's needed — ideal for under-cabinet linear runs, cove details, and toe-kick applications, it fits cleanly into tight millwork reveals without modification.



ORDER CODE

MOUNTING PROFILE TYPE	STANDARD LENGTH	PROFILE	COLOR	BENDING
A20 = Aluminum 30° Angled	5 = 39.37in (1000mm)	E = Wave Mini	1 = Standard	4 = N/A

DIMENSIONS



ORDER CODE	LEGACY ORDER CODE	STANDARD LENGTH
A205E14	CH10RAL01MSD3	39.37in (1000mm)