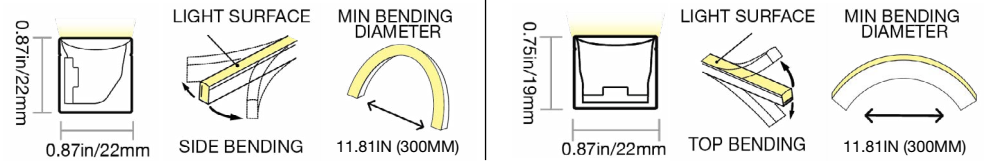


VIVID WAVE XL: SILICONE - 24V

Indoor & Outdoor Rated Linear Flex Profile - Direct DMX-Pixel



PROFILE CAPABILITIES



CERTIFICATIONS & FEATURES*



TEMPERATURES

AMBIENT OPERATING TEMPERATURE:

12W/m: -40°F to 131°F (-40°C to 55°C)
15W/m: -40°F to 113°F (-40°C to 55°C)

AMBIENT INSTALLATION TEMPERATURE:

-40°F to 131°F (-40°C to 55°C)

FIXTURE STORAGE TEMPERATURE:

-40°F to 140°F (-40°C to 60°C)

MAX MOUNTING SURFACE TEMPERATURE:

185°F (85°C)

HUMIDITY (NON-CONDENSING):

0-95%

THERMAL MANAGEMENT:

Free Air Convection

FIXTURE ORDER CODE

E		A				B		
INPUT CONNECTORS	SERIES	MATERIAL	PROFILE	BENDING	JACKET/BASE + LENS COLOR	LED FUNCTION**	LED COLOR	CHIP + CRI
See Page 6 to select input connector	V = Vivid	1 = Silicone	G = Wave XL	1 = Side 2 = Top	W = White + Diffused	7 = Direct-DMX-Pixel All Colors 8 = Direct-DMX-Pixel-RGBW 2700K 3000K 4000K	H = 2200K J = 2700K L = 3000K M = 3500K N = 4000K Q = 5700K S = RGB U = 2200-5700K	1 = Epistar SMD LED Chip RGB 2 = Epistar SMD LED Chip + CRI80 Whites Tunable White RGBW
C		D	E		F		G	
POWER	VOLTAGE + CIRCUIT TYPE**	ORDER UNIT LENGTH	OUTPUT CONNECTOR		MOUNTING PROFILE	MOUNTING ACCESSORIES	POWER SUPPLIES & CONTROLS:	
G = 3.66W/ft (12W/m) RGB Tunable White I = 4.57W/ft (15W/m) Whites RGBW	2C = 24V DC CR	I = 6.56in (166.7mm)	See Page 6 to select output connector		See Page 9 to select mounting profiles	See Page 11 to select accessory	By Others By GLLS	

*Maximum IP and IK ratings achievable with appropriate accessories, and cable diameter: silicone direct DMX = 0.27in (6.8mm). **The Current Regulated (CR) Integrated Circuit extends max run length. Do not use a CC or CR power supply, as it may cause damage. ***DMX fixtures ship with default addresses. For custom addressing, provide required addresses at ordering or adjust on-site with an address writer. Verify your controller supports the UCS512 IC, and confirm all requirements with our sales or quoting team before ordering.

VIVID WAVE XL: SILICONE - 24V

Indoor & Outdoor Rated Linear Flex Profile - Direct DMX-Pixel



A

MECHANICAL

ASSEMBLY

Fixtures are carefully assembled using high-quality components to ensure durability and performance. Each unit is built to meet strict specifications, with attention to electrical safety, thermal management, and optical alignment.

OVERALL & CUTTING LENGTHS

Fixtures feature defined overall lengths and specific cutting increments for easy customization. Cutting must be done at marked points to maintain proper function and consistent light output.

JACKET COLOR

The white jacket with diffused white lens cover provide a clean, uniform appearance while softening light output for reduced glare. It enhances visual comfort and delivers smooth, even illumination ideal for architectural and display applications.

BENDING RADIUS

Do not bend smaller than allowed minimum bend diameter, or may cause damage to the light & void warranty.

TESTING

OPTICAL TESTING

TEST	RESULTS
Spectrum Analysis	IES LM 79 (Lumen, CCT, CRI, XY, SDCM, Wavelength)
Photometric Distribution	IES LM 79
Lumen Maintenance & Lifetime	IES LM 84 & IES TM28

ENVIRONMENTAL TESTING

TEST	RESULTS
Salt Water Immersion	IEC60598-1, Saltinity 4%
Salt Spray Test	IEC60068-2-11
Outdoor Exposure	Manufacturer-defined
Flame Resistance	UL94
UV Exposure	ASTMG 154, ISO 4892-3, UVA @ 340nm & 55
IPX8	EN 60598-1: 2015+A1:2018 Clause 9.2.2 & 9.2.8
Temperature Shock(Silicone)	Manufacturer-defined, -40°C - 60°C (typical temperature range)
Constant Temperature	Manufacturer-defined
12mm Needle Flame Test (Silicone)	IEC60695-11-5
650 Glow-wire Test (Silicone)	IEC60695-2-10

OPERATION

LIGHT ENGINE

Direct DMX light engines receive DMX512 signals for precise, real-time control of brightness, color, and effects. Each unit is addressable, making them ideal for complex architectural or stage lighting setups.

ELECTRICAL

Designed to meet UL, CE, and RoHS standards, they feature overload, overvoltage, and short-circuit protection, along with low EMI and efficient thermal management for safe, reliable operation.

DIMMING

Direct DMX 24V DC systems use DMX512 for smooth, flicker-free dimming with 8-bit or 16-bit resolution. They support standalone DMX controllers, DMX software, and networked systems like Art-Net or sACN for flexible lighting control.

GENERAL

WARRANTY

Limited 10-Year Warranty against defects in materials and manufacturing. Coverage applies to properly installed and maintained products. Damage from misuse or improper installation is not covered. G.L.L.S. may repair, replace, or issue credit for eligible claims.

LUMEN MAINTENANCE

G.L.L.S. static lighting fixtures are tested to IES LM-84 and projected with IES TM-28 to ensure consistent lumen maintenance. Fixtures are designed to retain at least 70% of their initial brightness (L70) over a 10-year lifespan when properly installed and operated.

CERTIFICATION

Tested to UL2108 Class 2 by Underwriters Laboratory for use in the USA and Canada. Exceeds ANSI C78.377A, ANSI C136.31, CE, and RoHS standards. Must be used under Class 2 ratings to maintain certification.

UL Certificate #: E347880

Report Reference #: E347880-20130503

TEMPERATURE TESTING

TEST	RESULTS
Normal Temperature Test	UL1598 & UL2388 & IEC60598-1 & IEC60598-2-21
Abnormal Operation Test	UL1598 & UL2388 & IEC60598-1 & IEC60598-2-21

DURABILITY TESTING

TEST	RESULTS
Bending Test	Manufacturer-defined, 500 cycles
Tensile Test	Manufacturer-defined, > The weight of light in max.
Twist Test	Manufacturer-defined, >200 cycles
Ball Impact	UL1598 & UL2388 & IEC60598-1 & IEC60598-2-21
IK	IEC62262



VIVID WAVE XL: SILICONE - 24V

Indoor & Outdoor Rated Linear Flex Profile - Direct DMX-Pixel



B

LED COLORS



FIXTURE SPECIFICATIONS & OPTICAL PARAMETERS - SIDE BEND

COLOR	LED COUNT	1 CONNECTOR FULL/DYNAMIC*	2 CONNECTORS FULL/DYNAMIC*	UL CLASS 2 MAX RUN**	FIXTURE COLOR TOLERANCE***	WAVELENGTH/ CCT	LED CRI	LED COLOR TOLERANCE	LUMEN COUNT	LEGACY ORDER CODE
2200K	25 LEDs/ft (84 LEDs/m)	26.2ft (8m) / Not Recommended	52.5ft (16m) / Not Recommended	21ft (6m)	3 SDCM	2238 ± 82K	82-87	2.3SDCM	146lm/ft (480lm/m)	SF22H1005DE22K24DC
2700K	25 LEDs/ft (84 LEDs/m)	26.2ft (8m) / Not Recommended	52.5ft (16m) / Not Recommended	21ft (6m)	3 SDCM	2725 ± 115K	82-87	2.3SDCM	159lm/ft (520lm/m)	SF22H1005DE27K24DC
3000K	25 LEDs/ft (84 LEDs/m)	26.2ft (8m) / Not Recommended	52.5ft (16m) / Not Recommended	21ft (6m)	3 SDCM	3045 ± 140K	82-87	2.3SDCM	171lm/ft (560lm/m)	SF22H1005DE30K24DC
3500K	25 LEDs/ft (84 LEDs/m)	26.2ft (8m) / Not Recommended	52.5ft (16m) / Not Recommended	21ft (6m)	3 SDCM	3465 ± 170K	82-87	2.3SDCM	171lm/ft (560lm/m)	SF22H1005DE35K24DC
4000K	25 LEDs/ft (84 LEDs/m)	26.2ft (8m) / Not Recommended	52.5ft (16m) / Not Recommended	21ft (6m)	3 SDCM	3985 ± 225K	82-87	2.3SDCM	171lm/ft (560lm/m)	SF22H1005DE40K24DC
5700K	25 LEDs/ft (84 LEDs/m)	26.2ft (8m) / Not Recommended	52.5ft (16m) / Not Recommended	21ft (6m)	3 SDCM	5665 ± 355K	82-87	2.3SDCM	159lm/ft (520lm/m)	SF22H1005DE57K24DC
2200K; 5700K	25 LEDs/ft (84 LEDs/m)	32.8ft (10m) / Not Recommended	65.6ft (20m) / Not Recommended	26ft (8m)	3 SDCM	2238 ± 82K; 5665 ± 355K	82-87; 82-87	2.3SDCM; 2.3SDCM	64lm/ft (210lm/m); 79lm/ft (260lm/m)	SF22H1005DEPDW24DC
R; G; B; R+G+B	22 LEDs/ft (72 LEDs/m)	32.8ft (10m) / Not Recommended	65.6ft (20m) / Not Recommended	26ft (8m)	N/A	618624nm; 522530nm; 468474nm; N/A	N/A	3nm; 3nm; 3nm; N/A	18lm/ft (60lm/m); 50lm/ft (165lm/m); 9lm/ft (30lm/m); 78lm/ft (255lm/m)	SF22H1005DERGB4DC
R; G; B; 2700K	22 LEDs/ft (72 LEDs/m)	26.2ft (8m) / 39.4ft (12m)	52.5ft (16m) / 78.7ft (24m)	21ft (6m)	N/A	618624nm; 522530nm; 468474nm; 2725K ± 115K	N/A; N/A; N/A; 82-87	3nm; 3nm; 3nm; 2.3SDCM	18lm/ft (60lm/m); 50lm/ft (165lm/m); 9lm/ft (30lm/m); 44lm/ft (145lm/m)	SF22H1015DER2724DC
R; G; B; 3000K	22 LEDs/ft (72 LEDs/m)	26.2ft (8m) / 39.4ft (12m)	52.5ft (16m) / 78.7ft (24m)	21ft (6m)	N/A	618624nm; 522530nm; 468474nm; 3045K ± 140K	N/A; N/A; N/A; 82-87	3nm; 3nm; 3nm; 2.3SDCM	18lm/ft (60lm/m); 50lm/ft (165lm/m); 9lm/ft (30lm/m); 44lm/ft (145lm/m)	SF22H1015DER3024DC
R; G; B; 4000K	22 LEDs/ft (72 LEDs/m)	26.2ft (8m) / 39.4ft (12m)	52.5ft (16m) / 78.7ft (24m)	21ft (6m)	N/A	618624nm; 522530nm; 468474nm; 3985K ± 225K	N/A; N/A; N/A; 82-87	3nm; 3nm; 3nm; 2.3SDCM	18lm/ft (60lm/m); 50lm/ft (165lm/m); 9lm/ft (30lm/m); 44lm/ft (145lm/m)	SF22H1015DER4024DC

*Run length is based on a static full load with voltage drop calculated using a 0.3 m (0.98 ft) cable with silicone seamless connectors, excluding connector length—refer to specifications for details. Due to fragility, five-wire fixtures are not recommended to exceed 16.4ft (5m). **For UL Class 2 calculations, GLLS uses a maximum output of 96 W / 96 VA for 24 V circuits, unless otherwise confirmed by the listed driver. All runs are assumed to be single-feed from one Class 2 output. Dual-feeding from separate drivers does not qualify as Class 2 unless the run is electrically split into isolated sections. ***Silicone products maintain ≤3 SDCM within a single production run and <5 SDCM between production runs.



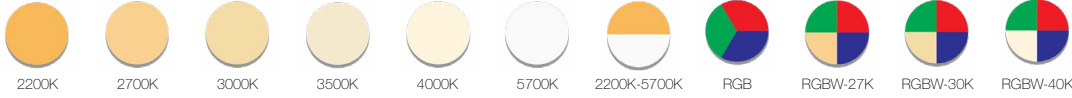
VIVID WAVE XL: SILICONE - 24V

Indoor & Outdoor Rated Linear Flex Profile - Direct DMX-Pixel



B

LED COLORS



FIXTURE SPECIFICATIONS & OPTICAL PARAMETERS - TOP BEND

COLOR	LED COUNT	1 CONNECTOR FULL/DYNAMIC*	2 CONNECTORS FULL/DYNAMIC*	UL CLASS 2 MAX RUN**	FIXTURE COLOR TOLERANCE***	WAVELENGTH/ CCT	LED CRI	LED COLOR TOLERANCE	LUMEN COUNT	LEGACY ORDER CODE
2200K	25 LEDs/ft (84 LEDs/m)	26.2ft (8m) / Not Recommended	52.5ft (16m) / Not Recommended	21ft (6m)	3 SDCM	2238 ± 82K	82-87	2.3SDCM	183lm/ft (600lm/m)	SF22H0015DE22K24DC
2700K	25 LEDs/ft (84 LEDs/m)	26.2ft (8m) / Not Recommended	52.5ft (16m) / Not Recommended	21ft (6m)	3 SDCM	2725 ± 115K	82-87	2.3SDCM	198lm/ft (650lm/m)	SF22H0015DE27K24DC
3000K	25 LEDs/ft (84 LEDs/m)	26.2ft (8m) / Not Recommended	52.5ft (16m) / Not Recommended	21ft (6m)	3 SDCM	3045 ± 140K	82-87	2.3SDCM	213.4lm/ft (700lm/m)	SF22H0015DE30K24DC
3500K	25 LEDs/ft (84 LEDs/m)	26.2ft (8m) / Not Recommended	52.5ft (16m) / Not Recommended	21ft (6m)	3 SDCM	3465 ± 170K	82-87	2.3SDCM	213.4lm/ft (700lm/m)	SF22H0015DE35K24DC
4000K	25 LEDs/ft (84 LEDs/m)	26.2ft (8m) / Not Recommended	52.5ft (16m) / Not Recommended	21ft (6m)	3 SDCM	3985 ± 225K	82-87	2.3SDCM	213.4lm/ft (700lm/m)	SF22H0015DE40K24DC
5700K	25 LEDs/ft (84 LEDs/m)	26.2ft (8m) / Not Recommended	52.5ft (16m) / Not Recommended	21ft (6m)	3 SDCM	5665 ± 355K	82-87	2.3SDCM	198lm/ft (650lm/m)	SF22H0015DE57K24DC
2200K; 5700K	25 LEDs/ft (84 LEDs/m)	32.8ft (10m) / Not Recommended	65.6ft (20m) / Not Recommended	26ft (8m)	3 SDCM	2238 ± 82K; 5665 ± 355K	82-87; 82-87	2.3SDCM; 2.3SDCM	79lm/ft (260lm/m); 98lm/ft (320lm/m)	SF22H0015DEPDW24DC
R; G; B; R+G+B	22 LEDs/ft (72 LEDs/m)	32.8ft (10m) / Not Recommended	65.6ft (20m) / Not Recommended	26ft (8m)	N/A	618±624nm; 522±530nm; 468±474nm; N/A	N/A	3nm; 3nm; 3nm; N/A	23lm/ft (75lm/m); 63lm/ft (205lm/m); 12lm/ft (40lm/m); 98lm/ft (320lm/m)	SF22H0005DERGB4DC
R; G; B; 2700K	22 LEDs/ft (72 LEDs/m)	26.2ft (8m) / 39.4ft (12m)	52.5ft (16m) / 78.7ft (24m)	21ft (6m)	N/A	618±624nm; 522±530nm; 468±474nm; 2725K ± 115K	N/A; N/A; N/A; 82-87	3nm; 3nm; 3nm; 2.3SDCM	23lm/ft (75lm/m); 63lm/ft (205lm/m); 12lm/ft (40lm/m); 55lm/ft (180lm/m)	SF22H0015DER2724DC
R; G; B; 3000K	22 LEDs/ft (72 LEDs/m)	26.2ft (8m) / 39.4ft (12m)	52.5ft (16m) / 78.7ft (24m)	21ft (6m)	N/A	618±624nm; 522±530nm; 468±474nm; 3045K ± 140K	N/A; N/A; N/A; 82-87	3nm; 3nm; 3nm; 2.3SDCM	23lm/ft (75lm/m); 63lm/ft (205lm/m); 12lm/ft (40lm/m); 55lm/ft (180lm/m)	SF22H0015DER3024DC
R; G; B; 4000K	22 LEDs/ft (72 LEDs/m)	26.2ft (8m) / 39.4ft (12m)	52.5ft (16m) / 78.7ft (24m)	21ft (6m)	N/A	618±624nm; 522±530nm; 468±474nm; 3985K ± 225K	N/A; N/A; N/A; 82-87	3nm; 3nm; 3nm; 2.3SDCM	23lm/ft (75lm/m); 63lm/ft (205lm/m); 12lm/ft (40lm/m); 55lm/ft (180lm/m)	SF22H0015DER4024DC

*Run length is based on a static full load with voltage drop calculated using a 0.3 m (0.98 ft) cable with silicone seamless connectors, excluding connector length—refer to specifications for details. Due to fragility, five-wire fixtures are not recommended to exceed 16.4ft (5m). **For UL Class 2 calculations, GLLS uses a maximum output of 96 W / 96 VA for 24 V circuits, unless otherwise confirmed by the listed driver. All runs are assumed to be single-feed from one Class 2 output. Dual-feeding from separate drivers does not qualify as Class 2 unless the run is electrically split into isolated sections.***Silicone products maintain ≤3 SDCM within a single production run and <5 SDCM between production runs.



VIVID WAVE XL: SILICONE - 24V

Indoor & Outdoor Rated Linear Flex Profile - Direct DMX-Pixel



C

POWER & VOLTAGE

COLOR	VOLTAGE + CIRCUIT TYPE*	POWER CONSUMPTION
2200K	24V DC CR	4.57W/ft (15W/m)
2700K		
3000K		
3500K		
4000K		
5700K		
2200K-5700K		3.66W/ft (12W/m)
RGB		3.66W/ft (12W/m)
RGBW-27K		4.57W/ft (15W/m)
RGBW-30K		
RGBW-40K		

*The Current Regulated (CR) Integrated Circuit extends max run length. Do not use a CC or CR power supply, as it may cause damage.

D

CUTTING INSTRUCTIONS

COLOR	ORDER UNIT (CUTTING UNIT)
2200K	6.56in (166.7mm) (12 LEDs)
2700K	
3000K	
3500K	
4000K	
5700K	
2200K-5700K	
RGB	
RGBW-27K	
RGBW-30K	
RGBW-40K	



VIVID WAVE XL: SILICONE - 24V

Indoor & Outdoor Rated Linear Flex Profile - Direct DMX-Pixel



E

COMPATIBLE CONNECTORS

INPUT - 01

PROFILE	BENDING	WIRING	INPUT CONNECTOR TYPE	INPUT ORIENTATION + TYPE	INPUT CABLE LENGTH (LEAD WIRE)
---------	---------	--------	----------------------	--------------------------	--------------------------------

OUTPUT - 02

PROFILE	BENDING	WIRING	OUTPUT CONNECTOR TYPE	OUTPUT ORIENTATION + TYPE	OUTPUT CABLE LENGTH (LEAD WIRE)
G = Wave XL	1 = Side 2 = Top 4 = N/A (End Cap)	6 = 5 Wire (Direct DMX-Pixel) 0 = N/A (End Cap)	2 = Silicone Seamless	A = End Exit B = Bottom Exit C = Side Left Exit D = Side Right Exit E = End Jumper H = Power T-Feed I = End Cap	1 = 0.98ft (0.3m) 2 = 3.28ft (1m) 3 = 9.84ft (3m) 4 = 16ft (5m) 5 = 32.81ft (10m) 6 = 49.21ft (15m) 7 = 65.62ft (20m) 8 = N/A

LEGACY CONNECTOR ORDER CODE

XX	22H	X	01	XX	SE	X	XX	XXX	X
PRODUCT TYPE	PROFILE	BENDING	LIGHT EMITTING	FUNCTIONALITY	CONNECTOR TYPE	FIXTURE END	EXIT TYPE	LENGTH	
FA = Factory Accessories	22H = WaveXL	1 = Side 2 = Top	01 = 22H	2W = Static/DTW 3W = Tunable White/SPI-Pixel 4W = RGB 5W = RGBW 5D = DMX-Pixel 0W = For End Cap	SE = Seamless	1 = Input Side 2 = Output Side 0 = Jumpers/T-feeds/Seamless End 3 = Input/Output	EN = End BO = Bottom SL = Side Left SR = Side Right EJ = End Jumper BJ = Bottom Jumper TF = Power Feed EC = End Cap	0M3 = 0.98ft (30cm) 01M = 3.28ft (1m) 03M = 9.84ft (3m) 05M = 16ft (5m) 10M = 32.81ft (10m) 000 = For End Cap	P = Power or For End Cap S = Signal & Power



VIVID WAVE XL: SILICONE - 24V

Indoor & Outdoor Rated Linear Flex Profile - Direct DMX-Pixel



E

SILICONE SEAMLESS CONNECTOR

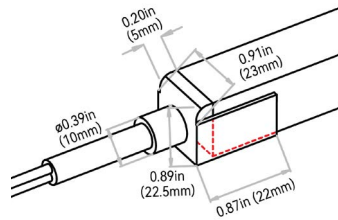


NOTES:

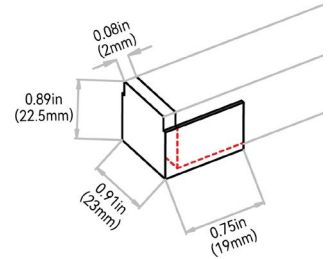
1. Connector Tolerance ± 0.02 in (0.5mm)
2. Cable diameter: Static, Tunable, RGB, RGBW & SPI Silicone = 0.26in (6.5mm) & DMX Silicone = 0.27 (6.8mm)
3. Do not apply force to the feed cable
4. Ensure Max. Cable Lengths are followed according to wire gage to avoid voltage drop

IP68; seamless; precise low profile dimension; high grade quality silicone & anti-wicking ferrule. Recommended for; wet environments; custom predetermined lengths; high/ low temperatures; increased humidity; direct UV exposure; harsh working conditions & increased handling forces during installation. Precision milling and special glue Silicone liquid injection-moulded workmanship enables an almost consistent size between connectors and lightbody, and the transparent terminal of the connector allows the seamless effects spliced end by end. DryWire technology applied on the cable eliminates the capillary phenomenon through wires, which secured the long-term reliability in outdoor or any wet environments. Custom factory assembly.

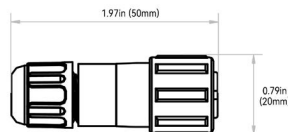
END EXIT: G#62A#



END CAP: G402I8

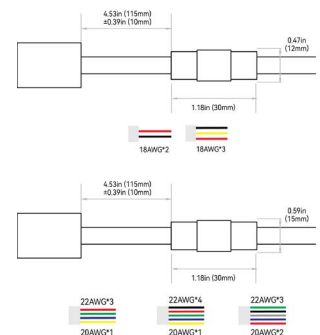


SCREW LOCK CONNECTOR ACCESSORY - IP67



NOTE: The tolerance is ± 0.08 in (2mm).

ANTI-WICKING FERRULE:



NOTES:

1. The anti-wicking ferrule is located at 4.53in (115mm) (± 0.39 in [± 10 mm] tolerance) from the connector on the cable. For protection against water ingress.
2. The removal of anti-wicking ferrule will void the warranty if any water ingression caused by it.



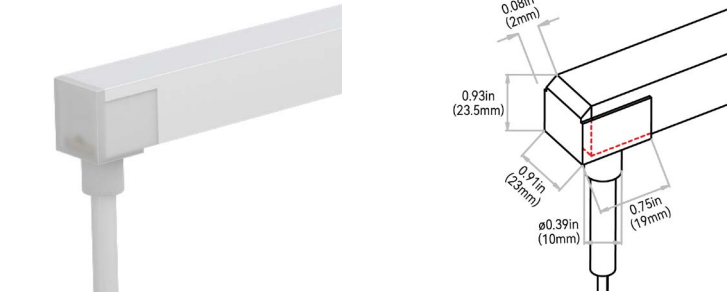
VIVID WAVE XL: SILICONE - 24V

Indoor & Outdoor Rated Linear Flex Profile - Direct DMX-Pixel

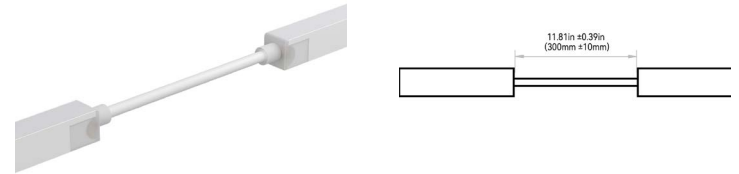


E

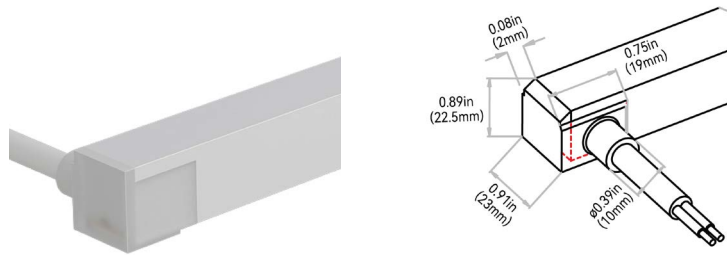
BOTTOM EXIT: G#62B#



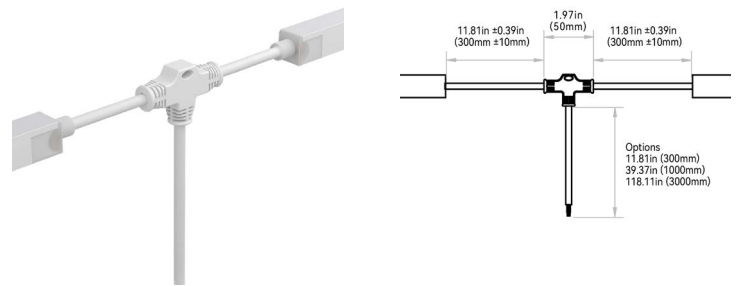
END JUMPER: G#62E1



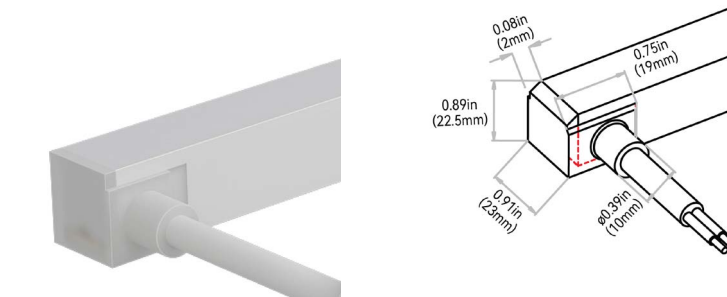
SIDE LEFT EXIT: G#62C#



POWER T-FEED: G#62H#



SIDE RIGHT EXIT: G#62D#



VIVID WAVE XL: SILICONE - 24V

Indoor & Outdoor Rated Linear Flex Profile - Direct DMX-Pixel



F

MOUNTING PROFILES

MOUNTING PROFILE TYPE	STANDARD LENGTH	PROFILE	COLOR	BENDING
A3 = Aluminum Recessed Silicone Grip	1 = 0.79in (20mm) 3 = 19.68in (500mm) 5 = 39.37in (1000mm) 6 = 78.74in (2000mm)	G = Wave XL	1 = Standard	1 = Side 2 = Top
A4 = Aluminum Silicone Grip	1 = 0.79in (20mm) 3 = 19.68in (500mm) 5 = 39.37in (1000mm) 6 = 78.74in (2000mm)			1 = Side
A5 = Aluminum Flexible	3 = 19.68in (500mm) 5 = 39.37in (1000mm)			4 = N/A
C1 = Silicone Flexible	B = 4.33in (110mm) C = 7.87in (200mm) 3 = 19.68in (500mm) 5 = 39.37in (1000mm)		2 = Black 3 = White 0 = Custom	



VIVID WAVE XL: SILICONE - 24V

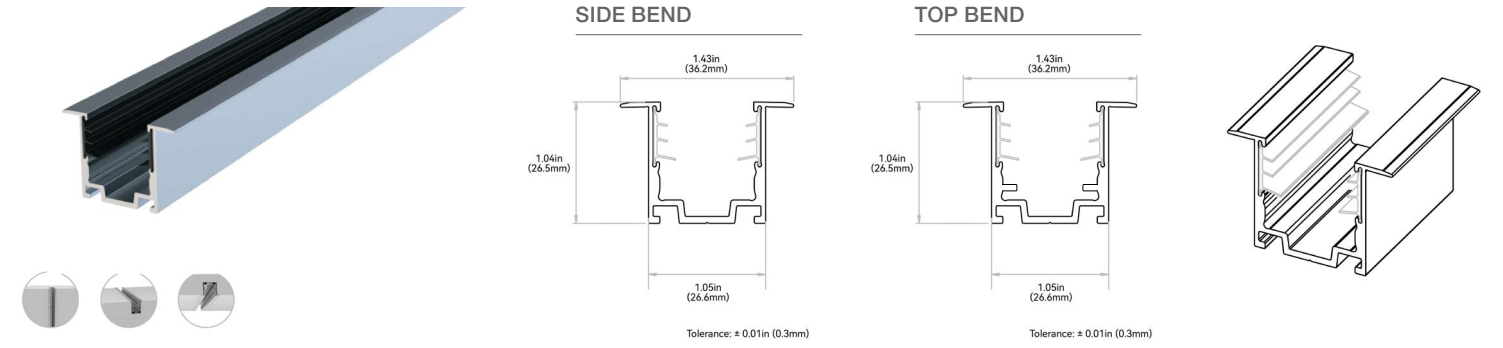
Indoor & Outdoor Rated Linear Flex Profile - Direct DMX-Pixel



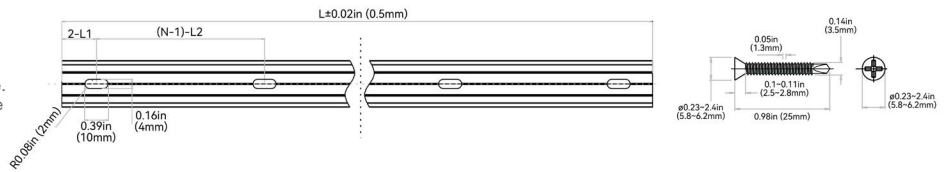
F

ALUMINUM PROFILE - RECESSED - SILICONE GRIP

High-quality 6063 aluminum with thin-wall, light-weight design to fit the fixture tightly. Includes a serrated silicone grip insert designed to hold fixture with additional force. Recommended on projects mounted upside down with lighting mounted recessed in a cavity so only the lens is shown. It is deformation and rust resistant, and cost-effective. Please refer to install manual for proper installation practices.



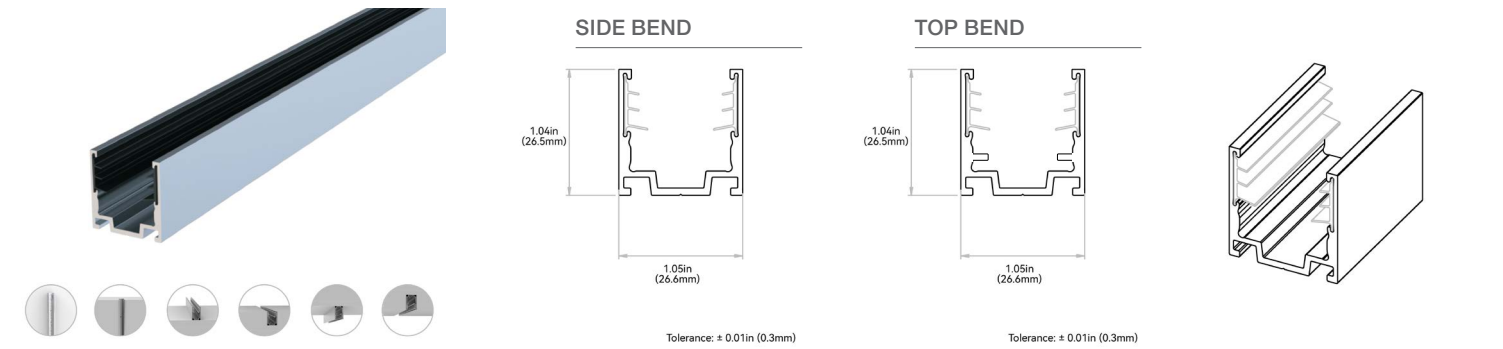
NOTES: 1. 2-L1 refers to two of symmetric L1 in each piece of profile.
2. (N-1)-L2 refers to (N minus one) of symmetric L2 in each piece of profile.
"N" hereby stands for its corresponding "Hole Number" in the below table



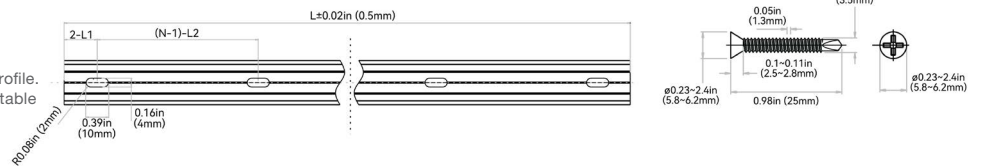
ORDER CODE	LEGACY ORDER CODE SIDE	LEGACY ORDER CODE TOP	STANDARD LENGTH	L1	L2	SLOTTED HOLE	HOLE #
A31G1#	CH22RRA12CSE	CL22RRA02CSE	0.79in (20mm)	0.39in (10mm)	N/A	0.16"0.39in (4"10mm)	1
A33G1#	CH22RRA10M5SE	CH22RRA0M5SE	19.68in (500mm)	1.97in (50mm)	7.87in (200mm)	0.16"0.39in (4"10mm)	3
A35G1#	CH22RRA11MSE	CH22RRA01MSE	39.37in (1000mm)	3.93in (100mm)	7.87in (200mm)	0.16"0.39in (4"10mm)	5
A36G1#	CH22RRA12MSE	CH22RRA02MSE	78.74in (2000mm)	3.93in (100mm)	7.87in (200mm)	0.16"0.39in (4"10mm)	10

ALUMINUM PROFILE - SILICONE GRIP

High-quality 6063 aluminum with thin-wall, light-weight design. Includes a serrated silicone grip insert designed to hold fixture with additional force. Recommended on projects mounted upside down. It is deformation and rust resistant, and cost-effective. Please refer to install manual for proper installation practices.



NOTES: 1. 2-L1 refers to two of symmetric L1 in each piece of profile.
2. (N-1)-L2 refers to (N minus one) of symmetric L2 in each piece of profile.
"N" hereby stands for its corresponding "Hole Number" in the below table



ORDER CODE	LEGACY ORDER CODE SIDE	LEGACY ORDER CODE TOP	STANDARD LENGTH	L1	L2	SLOTTED HOLE	HOLE #
A41G1#	CL221AL02CSE	CL220AL02CSE	0.79in (20mm)	0.39in (10mm)	N/A	0.16"0.39in (4"10mm)	1
A43G1#	CH221AL0M5SE	CH220AL0M5SE	19.68in (500mm)	1.97in (50mm)	7.87in (200mm)	0.16"0.39in (4"10mm)	3
A45G1#	CH221AL01MSE	CH220AL01MSE	39.37in (1000mm)	3.93in (100mm)	7.87in (200mm)	0.16"0.39in (4"10mm)	5
A46G1#	CH221AL02MSE	CH220AL02MSE	78.74in (2000mm)	3.93in (100mm)	7.87in (200mm)	0.16"0.39in (4"10mm)	10



VIVID WAVE XL: SILICONE - 24V

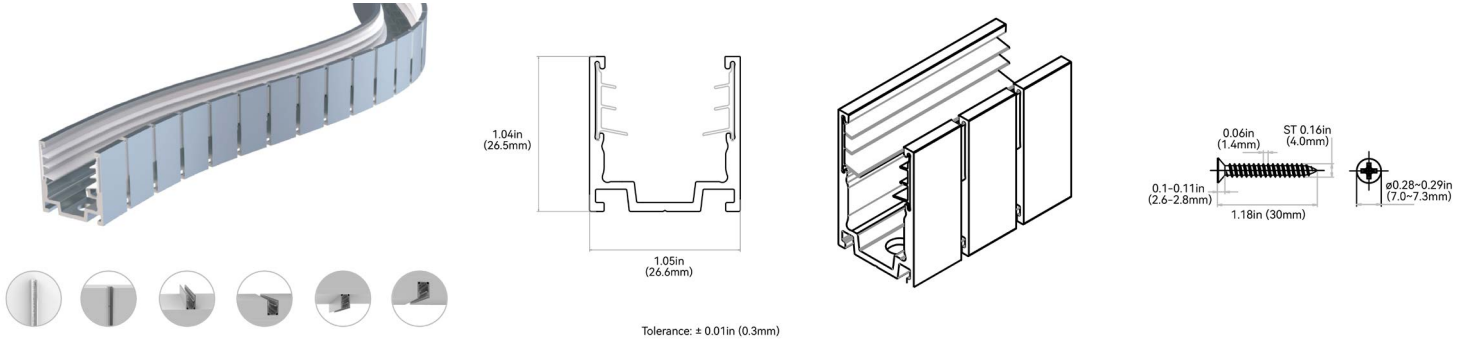
Indoor & Outdoor Rated Linear Flex Profile - Tunable White



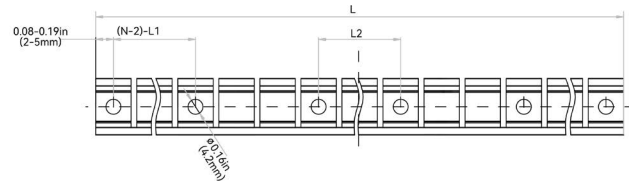
F

ALUMINUM PROFILE - FLEXIBLE

It is an expanded design of the flexible aluminum profile, and caters for the continuously streamlined aesthetics of curve shape. The secondary precision cutting process, not only maintains the advantage of clamping force, but also enables the two-way side bending directions with super shape memory. Available for side bending only. Please refer to install manual for proper installation practices



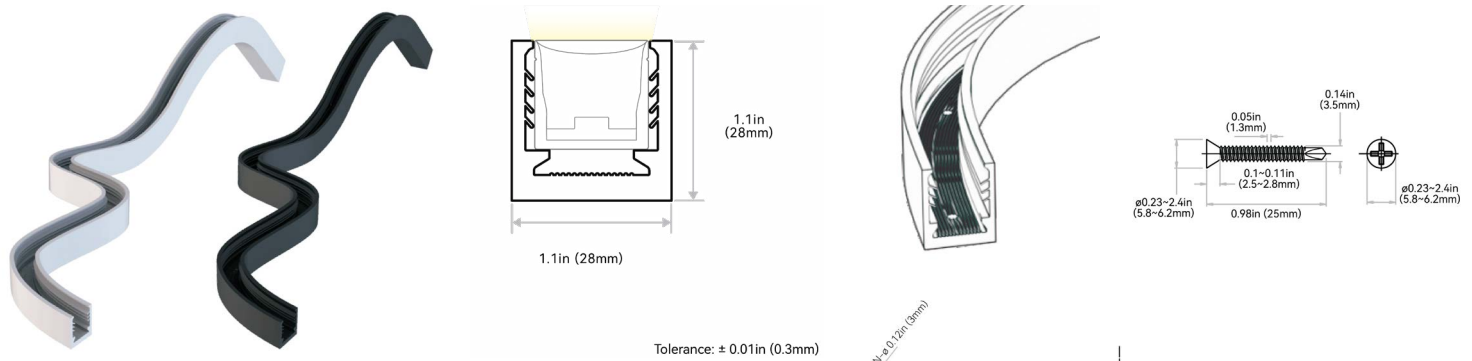
NOTES: 1. 2-L1 refers to two of symmetric L1 in each piece of profile.
2. (N-1)-L2 refers to (N minus one) of symmetric L2 in each piece of profile.
"N" hereby stands for its corresponding "Hole Number" in the below table



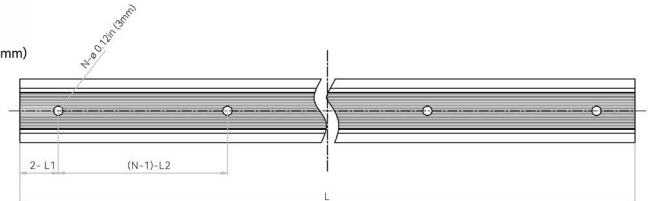
ORDER CODE	LEGACY ORDER CODE	STANDARD LENGTH	L1	L2	SLOTTED HOLE	HOLE #
A53G11	CH22FAL0M5SE	19.68in (500mm)	39.37in (1000mm)	3.89in (98.8mm)	ø 0.17in (4.2mm)	6
A35G11	CH22FAL1MSE	39.37in (1000mm)	19.68in (500mm)	1.93in (48.9mm)	ø 0.17in (4.2mm)	10

SILICONE PROFILE - FLEXIBLE

An all-in-one mounting profile designed to unleash your creativity. This profile not only provides flexibility in installation methods, but also overcomes bending limitations by offering both top and side bending in a single profile. Fully encapsulated in UL-certified silicone, it excels in UV, weather, and corrosion resistance, making it suitable for underwater, high and low temperature environments. Elegant and square in appearance, it is available in black or white standard colors, or bespoke colors to blend in with the background. Supported by innovative serrated silicone fins, its clamping strength is strong enough to secure any installation method. Side* and top bending. *Side bending profile will sit higher than the mounting channel, will not be a flush edge. Please refer to install manual for proper installation practices.



NOTES: 1. 2-L1 refers to two of symmetric L1 in each piece of profile.
2. (N-1)-L2 refers to (N minus one) of symmetric L2 in each piece of profile.
"N" hereby stands for its corresponding "Hole Number" in the below table



ORDER CODE	LEGACY ORDER CODE: WHITE	LEGACY ORDER CODE: BLACK	STANDARD LENGTH	L1	L2	SLOTTED HOLE	HOLE #
C1BG#4	CH22FAN1C1SEW	CH22FAN1C1SEB	4.33in (110mm)	0.46in (11.6mm)	3.48in (88.4mm)	Ø 0.12in (3mm)	2
C1CG#4	CH22FAN0M2SEW	CH22FAN0M2SEB	7.87in (200mm)	0.46in (11.6mm)	3.48in (88.4mm)	Ø 0.12in (3mm)	3
C13G#4	CH22FAN0M5SEW	CH22FAN0M5SEB	19.68in (500mm)	1.14in (29mm)	3.48in (88.4mm)	Ø 0.12in (3mm)	6
C15G#4	CH22FAN01MSEW	CH22FAN01MSEB	39.37in (1000mm)	0.54in (13.8mm)	3.48in (88.4mm)	Ø 0.12in (3mm)	12



VIVID WAVE XL: SILICONE - 24V

Indoor & Outdoor Rated Linear Flex Profile - Direct DMX-Pixel



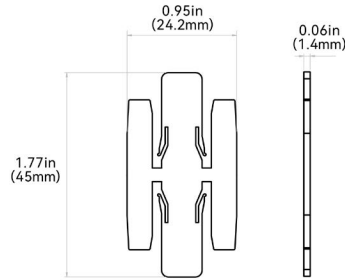
G

MOUNTING ACCESSORIES

MOUNTING ACCESSORY TYPE	PROFILE
MA1 = Pivot Bracket	O = All Profiles
MA2 = Rotary Bracket	
MA3 = Side Bracket	
MA4 = Ceiling Clip	G = Wave XL
MA6 = Suspended Wire Kit	
MA8 = Alignment Bracket - Aluminum Silicone Grip	

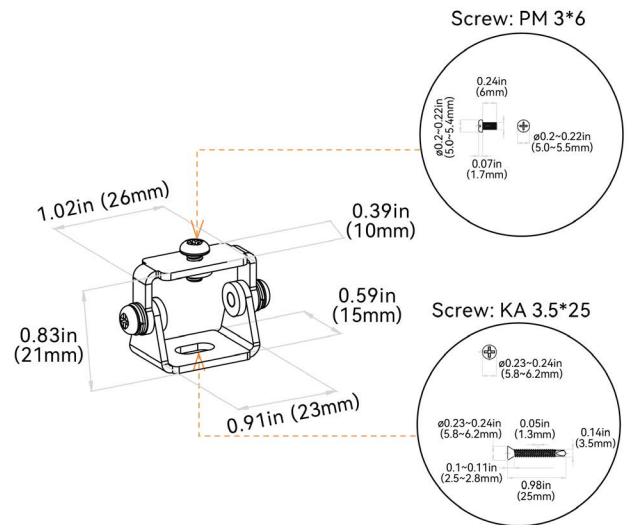
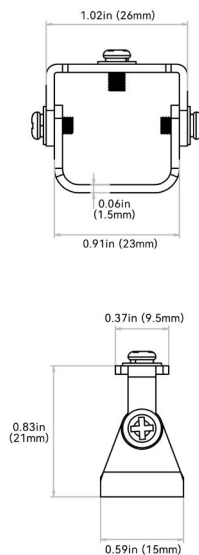
ALIGNMENT BRACKET - ALUMINUM SILICONE GRIP: MA8G |

Applicable to aluminum silicone grip



PIVOT BRACKET: MA10 | MA00PMB00000

Applicable to all mounting profiles.



VIVID WAVE XL: SILICONE - 24V

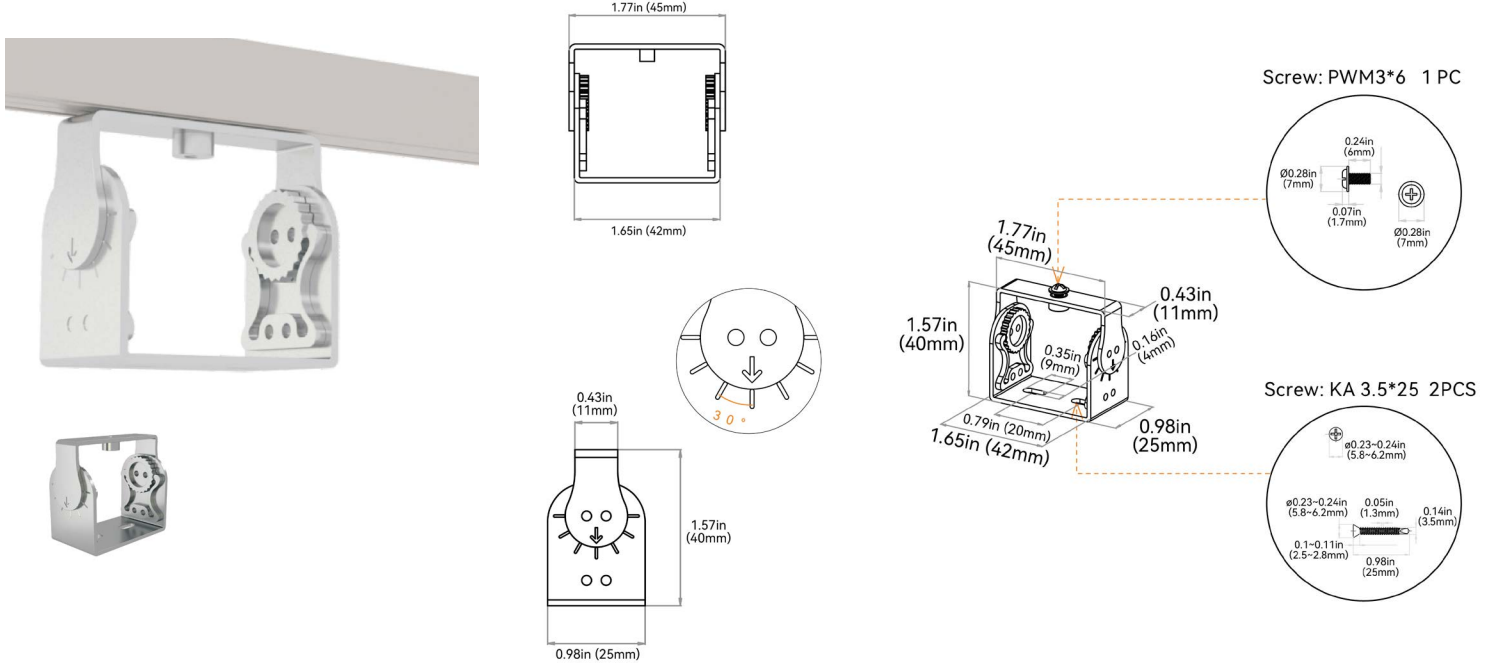
Indoor & Outdoor Rated Linear Flex Profile - Direct DMX-Pixel



G

ROTARY BRACKET: MA20 | MA00BRL00000

Applicable to all mounting profiles.



SIDE MOUNTING BRACKET: MA30 | MA00SMB00000

Applicable to all mounting profiles.

