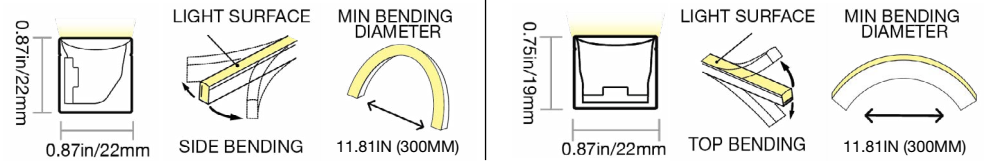


HIGH OUTPUT WAVE XL: SILICONE - 24V

Indoor & Outdoor Rated Linear Flex Profile - Static Whites



PROFILE CAPABILITIES



CERTIFICATIONS & FEATURES*



TEMPERATURES

AMBIENT OPERATING TEMPERATURE:

-40°F to 113°F (-40°C to 45°C)

AMBIENT INSTALLATION TEMPERATURE:

-40°F to 113°F (-40°C to 45°C)

FIXTURE STORAGE TEMPERATURE:

-40°F to 140°F (-40°C to 60°C)

MAX MOUNTING SURFACE TEMPERATURE:

185°F (85°C)

HUMIDITY (NON-CONDENSING):

0-95%

THERMAL MANAGEMENT:

Free Air Convection

FIXTURE ORDER CODE

E		A				B		
INPUT CONNECTORS	SERIES	MATERIAL	PROFILE	BENDING	JACKET/BASE + LENS COLOR	LED FUNCTION	LED COLOR	CHIP + CRI
See Page 6 to select input connector	H = Vivid High Output	1 = Silicone	G = Wave XL	1 = Side 2 = Top	W = White + Diffused	1 = Static	H = 2200K J = 2700K L = 3000K M = 3500K N = 4000K Q = 5700K	2 = Epistar SMD LED Chip + CRI80 3 = Epistar SMD LED Chip + CRI90
C		D	E		F	G		
POWER	VOLTAGE + CIRCUIT TYPE**	ORDER UNIT LENGTH	OUTPUT CONNECTOR		MOUNTING PROFILE	MOUNTING ACCESSORIES	POWER SUPPLIES & CONTROLS:	
H = 5.48W/ft (18W/m)	2C = 24V DC CR	D = 2.19in (55.6mm)	See Page 6 to select output connector		See Page 9 to select mounting profiles	See Page 10 to select accessory	By Others By GLLS	

*Maximum IP and IK ratings achievable with appropriate accessories, and cable diameter: silicone static = 0.26in (6.5mm). **The Current Regulated (CR) Integrated Circuit extends max run length. Do not use a CC or CR power supply, as it may cause damage.

HIGH OUTPUT WAVE XL: SILICONE - 24V

Indoor & Outdoor Rated Linear Flex Profile - Static Whites



A

MECHANICAL

ASSEMBLY

Fixtures are carefully assembled using high-quality components to ensure durability and performance. Each unit is built to meet strict specifications, with attention to electrical safety, thermal management, and optical alignment.

OVERALL & CUTTING LENGTHS

Fixtures feature defined overall lengths and specific cutting increments for easy customization. Cutting must be done at marked points to maintain proper function and consistent light output.

JACKET COLOR

The white jacket with diffused white lens covers provide a clean, uniform appearance while softening light output for reduced glare. It enhances visual comfort and delivers smooth, even illumination ideal for architectural and display applications.

BENDING RADIUS

Do not bend smaller than allowed minimum bend diameter, or may cause damage to the light & void warranty.

OPERATION

LIGHT ENGINE

Static Pulse Width Modulation (PWM) light engines deliver stable, flicker-free light at a fixed brightness. They offer consistent color and reliable performance for long-term applications.

ELECTRICAL

Designed to meet UL, CE, and RoHS standards, they feature overload, overvoltage, and short-circuit protection, along with low EMI and efficient thermal management for safe, reliable operation.

DIMMING

Dimming of 24V PWM fixtures is achieved via the driver or decoder used in the system. Depending on the selected driver/decoder, control options can include 0-10V, DMX, or DALI, enabling smooth, flicker-free dimming while maintaining consistent color and performance. Note: DMX and DALI are supported at the system level, not natively by the fixture.

GENERAL

WARRANTY

Limited 10-Year Warranty against defects in materials and manufacturing. Coverage applies to properly installed and maintained products. Damage from misuse or improper installation is not covered. G.L.L.S. may repair, replace, or issue credit for eligible claims.

LUMEN MAINTENANCE

G.L.L.S. static lighting fixtures are tested to IES LM-84 and projected with IES TM-28 to ensure consistent lumen maintenance. Fixtures are designed to retain at least 70% of their initial brightness (L70) over a 10-year lifespan when properly installed and operated.

CERTIFICATION

Tested to UL2108 Class 2 by Underwriters Laboratory for use in the USA and Canada. Exceeds ANSI C78.377A, ANSI C136.31, CE, and RoHS standards. Must be used under Class 2 ratings to maintain certification.

UL Certificate #: E347880

Report Reference #: E347880-20130503

TESTING

OPTICAL TESTING

TEST	RESULTS
Spectrum Analysis	IES LM 79 (Lumen, CCT, CRI, XY, SDCM, Wavelength)
Photometric Distribution	IES LM 79
Lumen Maintenance & Lifetime	IES LM 84 & IES TM28

TEMPERATURE TESTING

TEST	RESULTS
Normal Temperature Test	UL1598 & UL2388 & IEC60598-1 & IEC60598-2-21
Abnormal Operation Test	UL1598 & UL2388 & IEC60598-1 & IEC60598-2-21

ENVIRONMENTAL TESTING

TEST	RESULTS
Salt Water Immersion	IEC60598-1, Saltinity 4%
Salt Spray Test	IEC60068-2-11
Outdoor Exposure	Manufacturer-defined
Flame Resistance	UL94
UV Exposure	ASTMG 154, ISO 4892-3, UVA @ 340nm & 55
IPX8	EN 60598-1: 2015+A1:2018 Clause 9.2.2 & 9.2.8
Temperature Shock(Silicone)	Manufacturer-defined, -40°C - 60°C (typical temperature range)
Constant Temperature	Manufacturer-defined
12mm Needle Flame Test (Silicone)	IEC60695-11-5
650 Glow-wire Test (Silicone)	IEC60695-2-10

DURABILITY TESTING

TEST	RESULTS
Bending Test	Manufacturer-defined, 500 cycles
Tensile Test	Manufacturer-defined, > The weight of light in max.
Twist Test	Manufacturer-defined, >200 cycles
Ball Impact	UL1598 & UL2388 & IEC60598-1 & IEC60598-2-21
IK	IEC62262



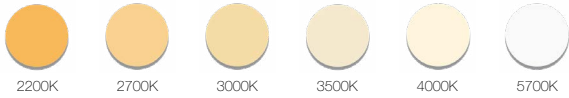
HIGH OUTPUT WAVE XL: SILICONE - 24V

Indoor & Outdoor Rated Linear Flex Profile - Static Whites



B

LED COLORS - WHITES



FIXTURE SPECIFICATIONS & OPTICAL PARAMETERS - SIDE BEND

COLOR	LED COUNT	1 CONNECTOR FULL/DYNAMIC*	2 CONNECTORS FULL/DYNAMIC*	UL CLASS 2 MAX RUN**	FIXTURE COLOR TOLERANCE***	WAVELENGTH/CCT	LED CRI	LED COLOR TOLERANCE	LUMEN COUNT	LEGACY ORDER CODE
2200K	43 LEDs/ft (144 LEDs/m)	19.6ft (6m) / N/A	39.4ft (12m) / N/A	18ft (5m)	3 SDCM	2238 ± 82K	82-87	<2.3SDCM	381lm/ft (1250lm/m)	SH22H1012WE22K24DC
2200K	43 LEDs/ft (144 LEDs/m)	19.6ft (6m) / N/A	39.4ft (12m) / N/A	18ft (5m)	3 SDCM	2238 ± 82K	91-97	<2.3SDCM	335lm/ft (1100lm/m)	SH22H1012WE22R24DC
2700K	43 LEDs/ft (144 LEDs/m)	19.6ft (6m) / N/A	39.4ft (12m) / N/A	18ft (5m)	3 SDCM	2725 ± 115K	82-87	<2.3SDCM	412lm/ft (1350lm/m)	SH22H1012WE27K24DC
2700K	43 LEDs/ft (144 LEDs/m)	19.6ft (6m) / N/A	39.4ft (12m) / N/A	18ft (5m)	3 SDCM	2725 ± 115K	91-97	<2.3SDCM	351lm/ft (1150lm/m)	SH22H1012WE27R24DC
3000K	43 LEDs/ft (144 LEDs/m)	19.6ft (6m) / N/A	39.4ft (12m) / N/A	18ft (5m)	3 SDCM	3045 ± 140K	82-87	<2.3SDCM	412lm/ft (1350lm/m)	SH22H1012WE30K24DC
3000K	43 LEDs/ft (144 LEDs/m)	19.6ft (6m) / N/A	39.4ft (12m) / N/A	18ft (5m)	3 SDCM	3045 ± 140K	91-97	<2.3SDCM	351lm/ft (1150lm/m)	SH22H1012WE30R24DC
3500K	43 LEDs/ft (144 LEDs/m)	19.6ft (6m) / N/A	39.4ft (12m) / N/A	18ft (5m)	3 SDCM	3465 ± 170K	82-87	<2.3SDCM	427lm/ft (1400lm/m)	SH22H1012WE35K24DC
3500K	43 LEDs/ft (144 LEDs/m)	19.6ft (6m) / N/A	39.4ft (12m) / N/A	18ft (5m)	3 SDCM	3465 ± 170K	91-97	<2.3SDCM	381lm/ft (1250lm/m)	SH22H1012WE35R24DC
4000K	43 LEDs/ft (144 LEDs/m)	19.6ft (6m) / N/A	39.4ft (12m) / N/A	18ft (5m)	3 SDCM	3985 ± 225K	82-87	<2.3SDCM	427lm/ft (1400lm/m)	SH22H1012WE40K24DC
4000K	43 LEDs/ft (144 LEDs/m)	19.6ft (6m) / N/A	39.4ft (12m) / N/A	18ft (5m)	3 SDCM	3985 ± 225K	91-97	<2.3SDCM	381lm/ft (1250lm/m)	SH22H1012WE40R24DC
5700K	43 LEDs/ft (144 LEDs/m)	19.6ft (6m) / N/A	39.4ft (12m) / N/A	18ft (5m)	3 SDCM	5665 ± 355K	82-87	<2.3SDCM	412lm/ft (1350lm/m)	SH22H1012WE57K24DC
5700K	43 LEDs/ft (144 LEDs/m)	19.6ft (6m) / N/A	39.4ft (12m) / N/A	18ft (5m)	3 SDCM	5665 ± 355K	91-97	<2.3SDCM	381lm/ft (1250lm/m)	SH22H1012WE57R24DC

*Run length is based on a static full load with voltage drop calculated using a 0.3 m (0.98 ft) cable with silicone seamless connectors, excluding connector length—refer to specifications for details. **For UL Class 2 calculations, GLLS uses a maximum output of 96 W / 96 VA for 24 V circuits, unless otherwise confirmed by the listed driver. All runs are assumed to be single-feed from one Class 2 output. Dual-feeding from separate drivers does not qualify as Class 2 unless the run is electrically split into isolated sections. ***Silicone products maintain ≤3 SDCM within a single production run and <5 SDCM between production runs.



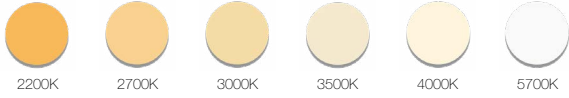
HIGH OUTPUT WAVE XL: SILICONE - 24V

Indoor & Outdoor Rated Linear Flex Profile - Static Whites



B

LED COLORS - WHITES



FIXTURE SPECIFICATIONS & OPTICAL PARAMETERS - TOP BEND

COLOR	LED COUNT	1 CONNECTOR FULL/DYNAMIC*	2 CONNECTORS FULL/DYNAMIC*	UL CLASS 2 MAX RUN**	FIXTURE COLOR TOLERANCE***	WAVELENGTH/ CCT	LED CRI	LED COLOR TOLERANCE	LUMEN COUNT	LEGACY ORDER CODE
2200K	43 LEDs/ft (144 LEDs/m)	19.6ft (6m) / N/A	39.4ft (12m) / N/A	18ft (5m)	3 SDCM	2238 ± 82K	82-87	<2.3SDCM	427lm/ft (1400lm/m)	SH22H0012WE22K24DC
2200K	43 LEDs/ft (144 LEDs/m)	19.6ft (6m) / N/A	39.4ft (12m) / N/A	18ft (5m)	3 SDCM	2238 ± 82K	91-97	<2.3SDCM	381lm/ft (1250lm/m)	SH22H0012WE22R24DC
2700K	43 LEDs/ft (144 LEDs/m)	19.6ft (6m) / N/A	39.4ft (12m) / N/A	18ft (5m)	3 SDCM	2725 ± 115K	82-87	<2.3SDCM	473lm/ft (1550lm/m)	SH22H0012WE27K24DC
2700K	43 LEDs/ft (144 LEDs/m)	19.6ft (6m) / N/A	39.4ft (12m) / N/A	18ft (5m)	3 SDCM	2725 ± 115K	91-97	<2.3SDCM	396lm/ft (1300lm/m)	SH22H0012WE27R24DC
3000K	43 LEDs/ft (144 LEDs/m)	19.6ft (6m) / N/A	39.4ft (12m) / N/A	18ft (5m)	3 SDCM	3045 ± 140K	82-87	<2.3SDCM	473lm/ft (1550lm/m)	SH22H0012WE30K24DC
3000K	43 LEDs/ft (144 LEDs/m)	19.6ft (6m) / N/A	39.4ft (12m) / N/A	18ft (5m)	3 SDCM	3045 ± 140K	91-97	<2.3SDCM	396lm/ft (1300lm/m)	SH22H0012WE30R24DC
3500K	43 LEDs/ft (144 LEDs/m)	19.6ft (6m) / N/A	39.4ft (12m) / N/A	18ft (5m)	3 SDCM	3465 ± 170K	82-87	<2.3SDCM	503lm/ft (1650lm/m)	SH22H0012WE35K24DC
3500K	43 LEDs/ft (144 LEDs/m)	19.6ft (6m) / N/A	39.4ft (12m) / N/A	18ft (5m)	3 SDCM	3465 ± 170K	91-97	<2.3SDCM	453lm/ft (1485lm/m)	SH22H0012WE35R24DC
4000K	43 LEDs/ft (144 LEDs/m)	19.6ft (6m) / N/A	39.4ft (12m) / N/A	18ft (5m)	3 SDCM	3985 ± 225K	82-87	<2.3SDCM	503lm/ft (1650lm/m)	SH22H0012WE40K24DC
4000K	43 LEDs/ft (144 LEDs/m)	19.6ft (6m) / N/A	39.4ft (12m) / N/A	18ft (5m)	3 SDCM	3985 ± 225K	91-97	<2.3SDCM	453lm/ft (1485lm/m)	SH22H0012WE40R24DC
5700K	43 LEDs/ft (144 LEDs/m)	19.6ft (6m) / N/A	39.4ft (12m) / N/A	18ft (5m)	3 SDCM	5665 ± 355K	82-87	<2.3SDCM	473lm/ft (1550lm/m)	SH22H0012WE57K24DC
5700K	43 LEDs/ft (144 LEDs/m)	19.6ft (6m) / N/A	39.4ft (12m) / N/A	18ft (5m)	3 SDCM	5665 ± 355K	91-97	<2.3SDCM	396lm/ft (1300lm/m)	SH22H0012WE57R24DC

*Run length is based on a static full load with voltage drop calculated using a 0.3 m (0.98 ft) cable with silicone seamless connectors, excluding connector length—refer to specifications for details. For UL Class 2 calculations, GLLS uses a maximum output of 96 W / 96 VA for 24 V circuits, unless otherwise confirmed by the listed driver. All runs are assumed to be single-fed from one Class 2 output. Dual-feeding from separate drivers does not qualify as Class 2 unless the run is electrically split into isolated sections. ***Silicone products maintain ≤3 SDCM within a single production run and <5 SDCM between production runs.



HIGH OUTPUT WAVE XL: SILICONE - 24V

Indoor & Outdoor Rated Linear Flex Profile - Static Whites



C

POWER & VOLTAGE

COLOR	VOLTAGE + CIRCUIT TYPE*	POWER CONSUMPTION
2200K	24V DC CR	5.48W/ft (18W/m)
2700K		
3000K		
3500K		
4000K		
5700K		

*The Current Regulated (CR) Integrated Circuit extends max run length. Do not use a CC or CR power supply, as it may cause damage.

D

CUTTING INSTRUCTIONS

COLOR	ORDER UNIT (CUTTING UNIT)
2200K	2.19in (55.6mm) (8 LEDs)
2700K	
3000K	
3500K	
4000K	
5700K	



HIGH OUTPUT WAVE XL: SILICONE - 24V

Indoor & Outdoor Rated Linear Flex Profile - Static Whites



E

COMPATIBLE CONNECTORS

INPUT - 01

PROFILE	BENDING	WIRING	INPUT CONNECTOR TYPE	INPUT ORIENTATION + TYPE	INPUT CABLE LENGTH (LEAD WIRE)
---------	---------	--------	----------------------	--------------------------	--------------------------------

OUTPUT - 02

PROFILE	BENDING	WIRING	OUTPUT CONNECTOR TYPE	OUTPUT ORIENTATION + TYPE	OUTPUT CABLE LENGTH (LEAD WIRE)
G = Wave XL	1 = Side 2 = Top 4 = N/A (End Cap)	1 = 2 Wire (Static) 0 = N/A (End Cap)	2 = Silicone Seamless	A = End Exit B = Bottom Exit C = Side Left Exit D = Side Right Exit E = End Jumper H = Power T-Feed I = End Cap	1 = 0.98ft (0.3m) 2 = 3.28ft (1m) 3 = 9.84ft (3m) 4 = 16ft (5m) 5 = 32.81ft (10m) 6 = 49.21ft (15m) 7 = 65.62ft (20m) 8 = N/A

LEGACY CONNECTOR ORDER CODE

XX	22H	X	01	XX	SE	X	XX	XXX	X
PRODUCT TYPE	PROFILE	BENDING	LIGHT EMITTING	FUNCTIONALITY	CONNECTOR TYPE	FIXTURE END	EXIT TYPE	LENGTH	
FA = Factory Accessories	22H = Wave XL	1 = Side 2 = Top	01 = 22H	2W = Static/DTW 0W = For End Cap	SE = Seamless	1 = Input Side 2 = Output Side 0 = Jumpers/T-feeds/ Seamless Bottom/ Seamless End 3 = Input/Output	EN = End BO = Bottom SL = Side Left SR = Side Right EJ = End Jumper BJ = Bottom Jumper TF = Power Feed EC = End Cap	0M3 = 0.98ft (30cm) 01M = 3.28ft (1m) 03M = 9.84ft (3m) 05M = 16ft (5m) 10M = 32.81ft (10m) 000 = For End Cap	P = Power or For End Cap S = Signal & Power



GLLS.COM | 1-888-580-6366

GLLS reserves the right to make any design changes for continuous improvement which will not affect the overall appearance or performance. REV. 20260611

HIGH OUTPUT WAVE XL: SILICONE - 24V

Indoor & Outdoor Rated Linear Flex Profile - Static Whites



E

SILICONE SEAMLESS CONNECTOR

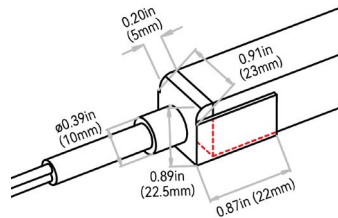


NOTES:

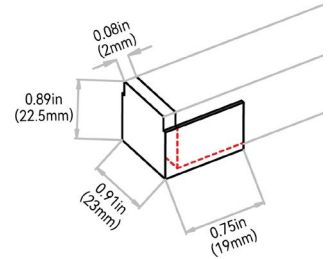
1. Connector Tolerance ± 0.02 in (0.5mm)
2. Cable diameter: Static, Tunable, RGB, RGBW & SPI Silicone = 0.26in (6.5mm) & DMX Silicone = 0.27 (6.8mm)
3. Do not apply force to the feed cable
4. Ensure Max. Cable Lengths are followed according to wire gage to avoid voltage drop

IP68; seamless; precise low profile dimension; high grade quality silicone & anti-wicking ferrule. Recommended for; wet environments; custom predetermined lengths; high/ low temperatures; increased humidity; direct UV exposure; harsh working conditions & increased handling forces during installation. Precision milling and special glue Silicone liquid injection-moulded workmanship enables an almost consistent size between connectors and lightbody, and the transparent terminal of the connector allows the seamless effects spliced end by end. DryWire technology applied on the cable eliminates the capillary phenomenon through wires, which secured the long-term reliability in outdoor or any wet environments. Custom factory assembly.

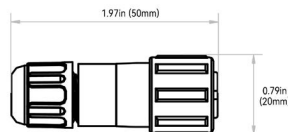
END EXIT: G#12A#



END CAP: G402I8

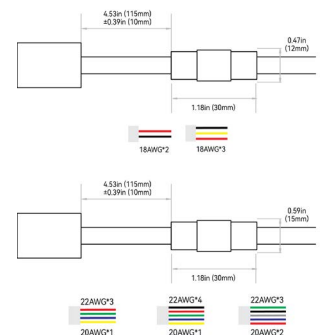


SCREW LOCK CONNECTOR ACCESSORY - IP67



NOTE: The tolerance is ± 0.08 in (2mm).

ANTI-WICKING FERRULE:



NOTES:

1. The anti-wicking ferrule is located at 4.53in (115mm) (± 0.39 in [± 10 mm] tolerance) from the connector on the cable. For protection against water ingress.
2. The removal of anti-wicking ferrule will void the warranty if any water ingress caused by it.



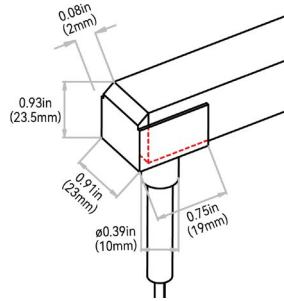
HIGH OUTPUT WAVE XL: SILICONE - 24V

Indoor & Outdoor Rated Linear Flex Profile - Static Whites

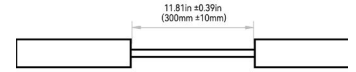


E

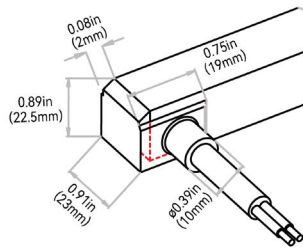
BOTTOM EXIT: G#12B#



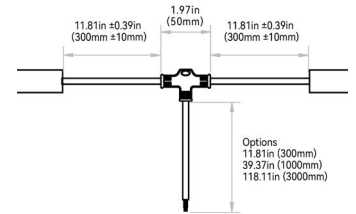
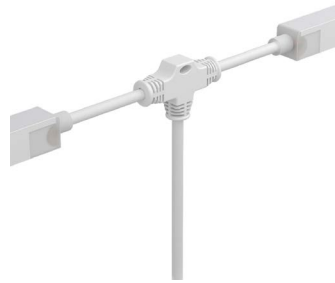
END JUMPER: G#12E1



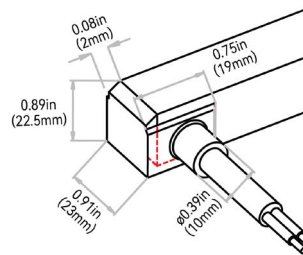
SIDE LEFT EXIT: G#12C#



POWER T-FEED: G#12H#



SIDE RIGHT EXIT: G#12D#



HIGH OUTPUT WAVE XL: SILICONE - 24V

Indoor & Outdoor Rated Linear Flex Profile - Static Whites



F

MOUNTING PROFILES

MOUNTING PROFILE TYPE	STANDARD LENGTH	PROFILE	COLOR	BEND
A3 = Aluminum Recessed Silicone Grip	1 = 0.79in (20mm) 3 = 19.68in (500mm) 5 = 39.37in (1000mm) 6 = 78.74in (2000mm)	G = Wave XL	1 = Standard	1 = Side 2 = Top
A4 = Aluminum Silicone Grip	1 = 0.79in (20mm) 3 = 19.68in (500mm) 5 = 39.37in (1000mm) 6 = 78.74in (2000mm)			
A5 = Aluminum Flexible	3 = 19.68in (500mm) 5 = 39.37in (1000mm)		1 = Side	
C1 = Silicone Flexible	3 = 19.68in (500mm) 5 = 39.37in (1000mm)		2 = Black 3 = White 0 = Custom 4 = N/A	



HIGH OUTPUT WAVE XL: SILICONE - 24V

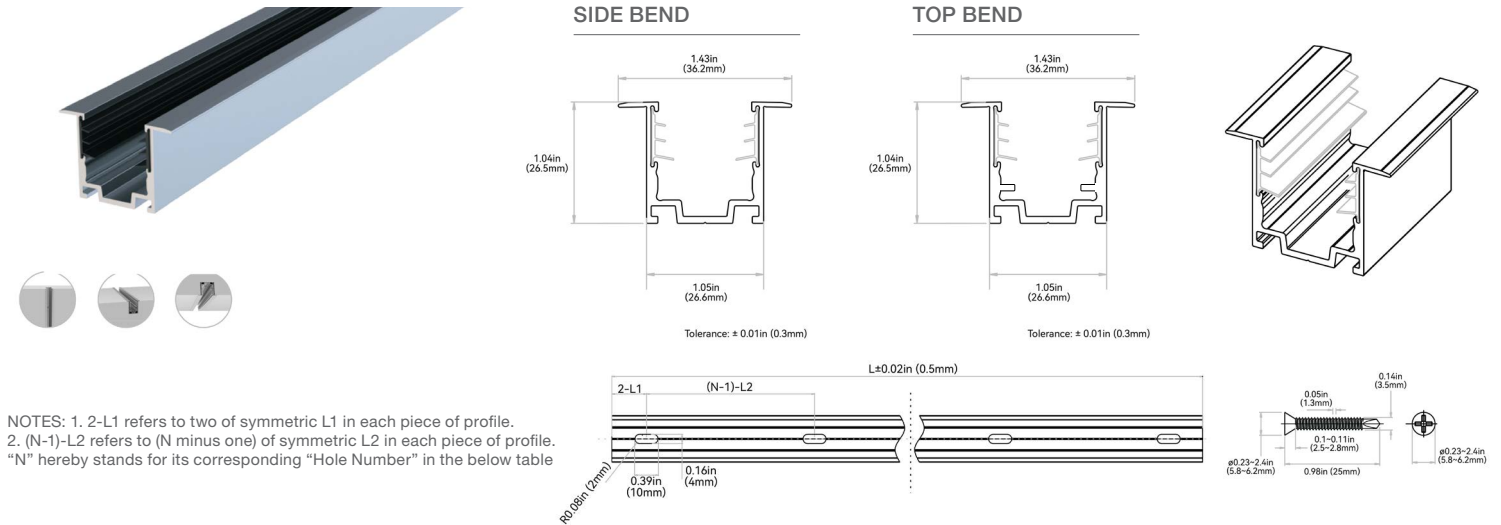
Indoor & Outdoor Rated Linear Flex Profile - Static Whites



F

ALUMINUM PROFILE - RECESSED - SILICONE GRIP

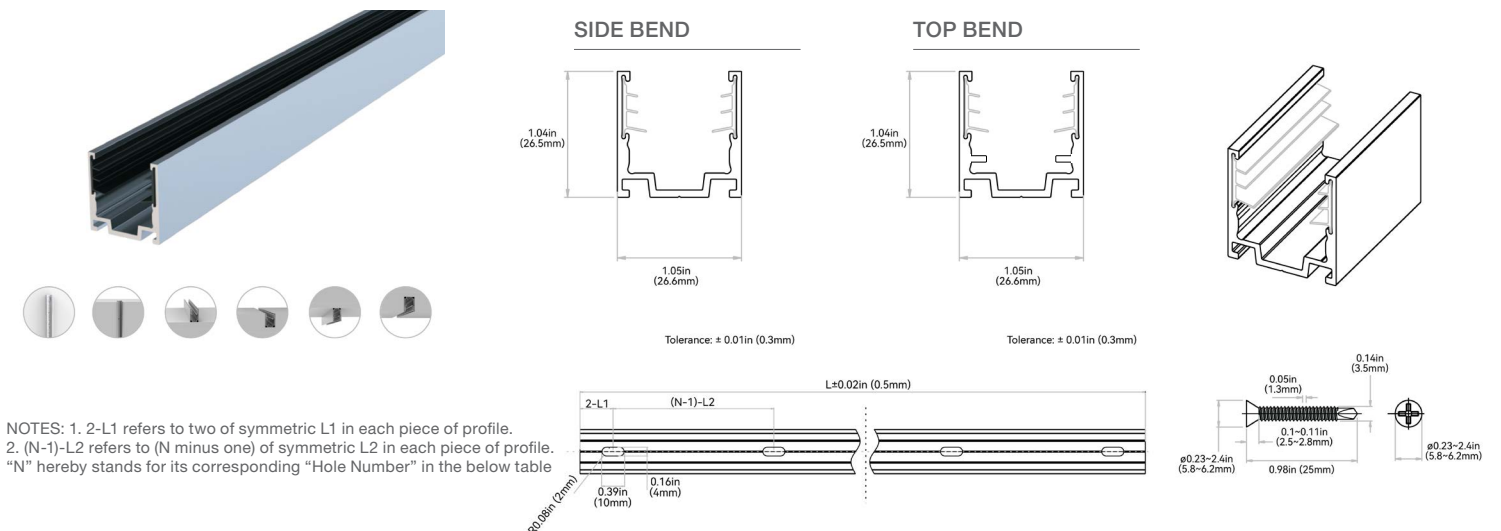
High-quality 6063 aluminum with thin-wall, light-weight design to fit the fixture tightly. Includes a serrated silicone grip insert designed to hold fixture with additional force. Recommended on projects mounted upside down with lighting mounted recessed in a cavity so only the lens is shown. It is deformation and rust resistant, and cost-effective. Please refer to install manual for proper installation practices.



ORDER CODE	LEGACY ORDER CODE SIDE	LEGACY ORDER CODE TOP	STANDARD LENGTH	L1	L2	SLOTTED HOLE	HOLE #
A31G1#	CH22RRA12CSE	CL22RRA02CSE	0.79in (20mm)	0.39in (10mm)	N/A	0.16"0.39in (4*10mm)	1
A33G1#	CH22RRA10M5SE	CH22RRA0M5SE	19.68in (500mm)	1.97in (50mm)	7.87in (200mm)	0.16"0.39in (4*10mm)	3
A35G1#	CH22RRA11MSE	CH22RRA01MSE	39.37in (1000mm)	3.93in (100mm)	7.87in (200mm)	0.16"0.39in (4*10mm)	5
A36G1#	CH22RRA12MSE	CH22RRA02MSE	78.74in (2000mm)	3.93in (100mm)	7.87in (200mm)	0.16"0.39in (4*10mm)	10

ALUMINUM PROFILE - SILICONE GRIP

High-quality 6063 aluminum with thin-wall, light-weight design. Includes a serrated silicone grip insert designed to hold fixture with additional force. Recommended on projects mounted upside down. It is deformation and rust resistant, and cost-effective. Please refer to install manual for proper installation practices.



ORDER CODE	LEGACY ORDER CODE SIDE	LEGACY ORDER CODE TOP	STANDARD LENGTH	L1	L2	SLOTTED HOLE	HOLE #
A41G1#	CL221AL02CSE	CL220AL02CSE	0.79in (20mm)	0.39in (10mm)	N/A	0.16"0.39in (4*10mm)	1
A43G1#	CH221AL0M5SE	CH220AL0M5SE	19.68in (500mm)	1.97in (50mm)	7.87in (200mm)	0.16"0.39in (4*10mm)	3
A45G1#	CH221AL01MSE	CH220AL01MSE	39.37in (1000mm)	3.93in (100mm)	7.87in (200mm)	0.16"0.39in (4*10mm)	5
A46G1#	CH221AL02MSE	CH220AL02MSE	78.74in (2000mm)	3.93in (100mm)	7.87in (200mm)	0.16"0.39in (4*10mm)	10



GLLS.COM | 1-888-580-6366

GLLS reserves the right to make any design changes for continuous improvement which will not affect the overall appearance or performance. REV. 20260611

HIGH OUTPUT WAVE XL: SILICONE - 24V

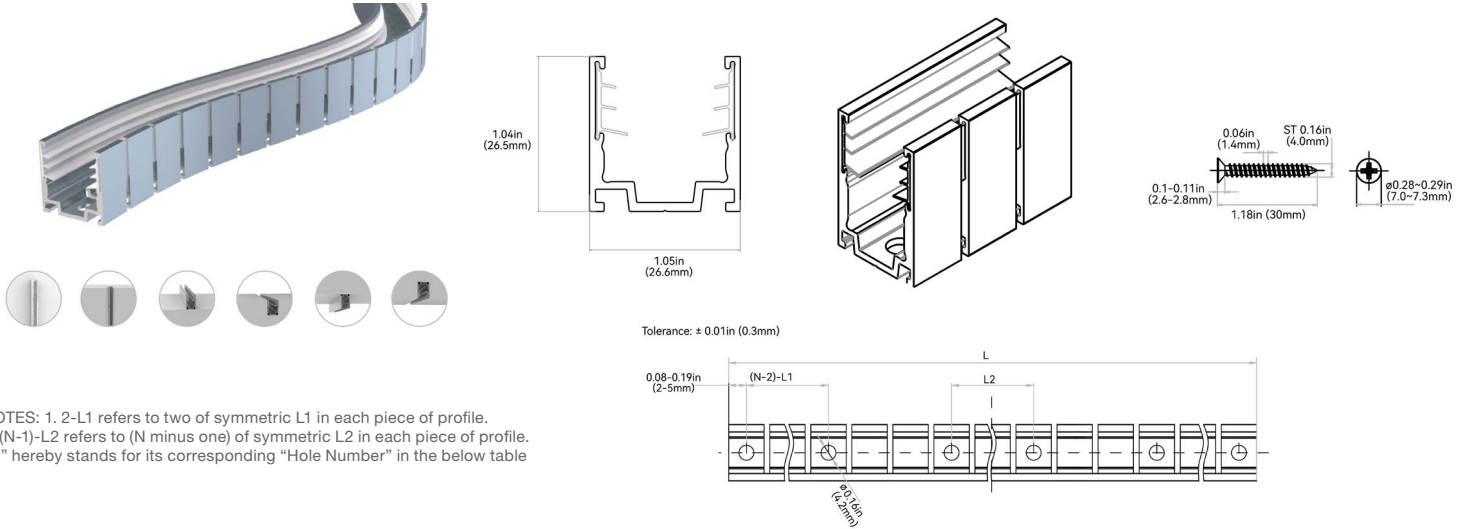
Indoor & Outdoor Rated Linear Flex Profile - Static Whites



F

ALUMINUM PROFILE - FLEXIBLE

It is an expanded design of the flexible aluminum profile, and caters for the continuously streamlined aesthetics of curve shape. The secondary precision cutting process, not only maintains the advantage of clamping force, but also enables the two-way side bending directions with super shape memory. Available for side bending only. Please refer to install manual for proper installation practices.

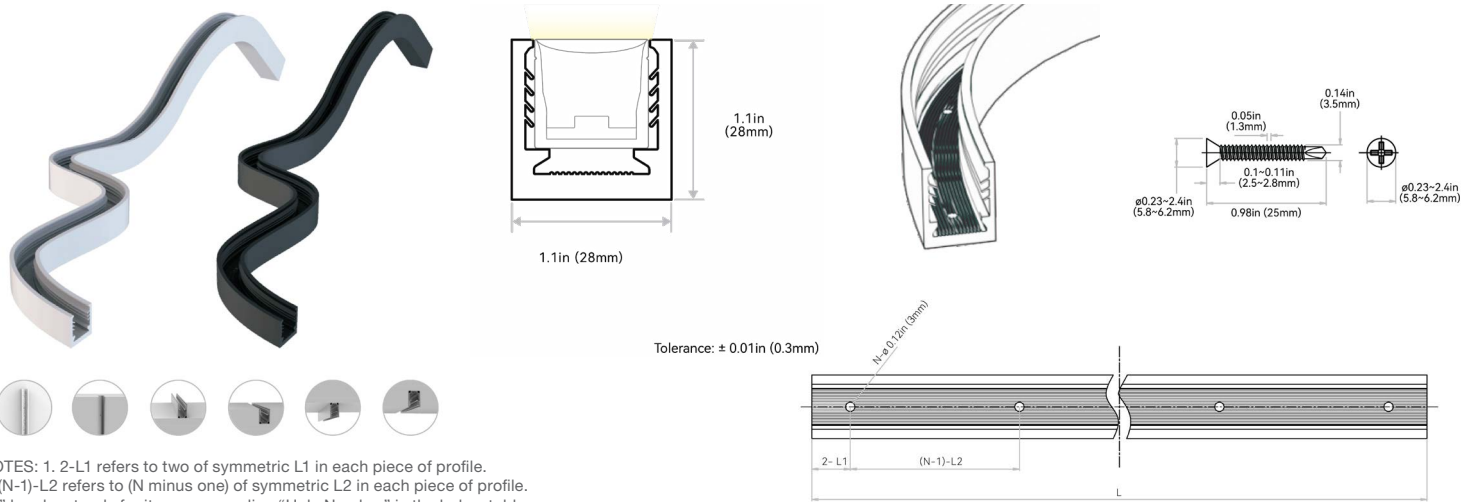


NOTES: 1. 2-L1 refers to two of symmetric L1 in each piece of profile.
2. (N-1)-L2 refers to (N minus one) of symmetric L2 in each piece of profile.
"N" hereby stands for its corresponding "Hole Number" in the below table

ORDER CODE	LEGACY ORDER CODE	STANDARD LENGTH	L1	L2	SLOTTED HOLE	HOLE #
A53G11	CH22FAL0M5SE	19.68in (500mm)	39.37in (1000mm)	3.89in (98.8mm)	ø 0.17in (4.2mm)	6
A35G11	CH22FAL1MSE	39.37in (1000mm)	19.68in (500mm)	1.93in (48.9mm)	ø 0.17in (4.2mm)	10

SILICONE PROFILE - FLEXIBLE

An all-in-one mounting profile designed to unleash your creativity. This profile not only provides flexibility in installation methods, but also overcomes bending limitations by offering both top and side bending in a single profile. Fully encapsulated in UL-certified silicone, it excels in UV, weather, and corrosion resistance, making it suitable for underwater, high and low temperature environments. Elegant and square in appearance, it is available in black or white standard colors, or bespoke colors to blend in with the background. Supported by innovative serrated silicone fins, its clamping strength is strong enough to secure any installation method. Side* and top bending. *Side bending profile will sit higher than the mounting channel, will not be a flush edge. Please refer to install manual for proper installation practices.



NOTES: 1. 2-L1 refers to two of symmetric L1 in each piece of profile.
2. (N-1)-L2 refers to (N minus one) of symmetric L2 in each piece of profile.
"N" hereby stands for its corresponding "Hole Number" in the below table

ORDER CODE	LEGACY ORDER CODE: WHITE	LEGACY ORDER CODE: BLACK	STANDARD LENGTH	L1	L2	SLOTTED HOLE	HOLE #
C1BG#4	CH22FAN1C1SEW	CH22FAN1C1SEB	4.33in (110mm)	0.46in (11.6mm)	3.48in (88.4mm)	Ø 0.12in (3mm)	2
C1CG#4	CH22FAN0M2SEW	CH22FAN0M2SEB	7.87in (200mm)	0.46in (11.6mm)	3.48in (88.4mm)	Ø 0.12in (3mm)	3
C13G#4	CH22FAN0M5SEW	CH22FAN0M5SEB	19.68in (500mm)	1.14in (29mm)	3.48in (88.4mm)	Ø 0.12in (3mm)	6
C15G#4	CH22FAN01MSEW	CH22FAN01MSEB	39.37in (1000mm)	0.54in (13.8mm)	3.48in (88.4mm)	Ø 0.12in (3mm)	12



HIGH OUTPUT WAVE XL: SILICONE - 24V

Indoor & Outdoor Rated Linear Flex Profile - Static Whites



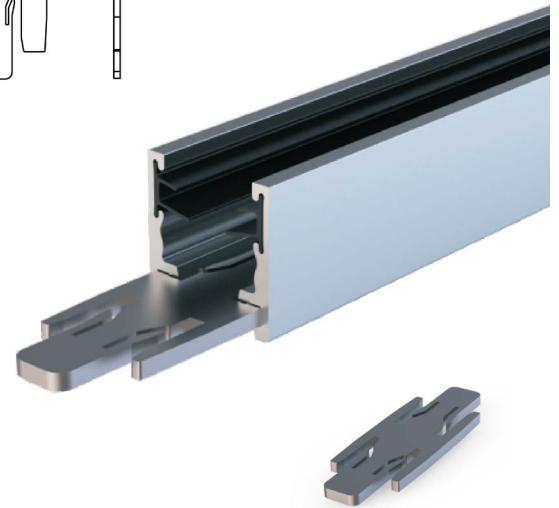
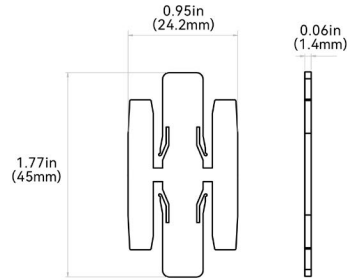
G

MOUNTING ACCESSORIES

MOUNTING ACCESSORY TYPE	PROFILE
MA1 = Pivot Bracket	O = All Profiles
MA2 = Rotary Bracket	
MA3 = Side Bracket	
MA4 = Ceiling Clip	
MA6 = Suspended Wire Kit	G = Wave XL
MA8 = Alignment Bracket - Aluminum Silicone Grip	

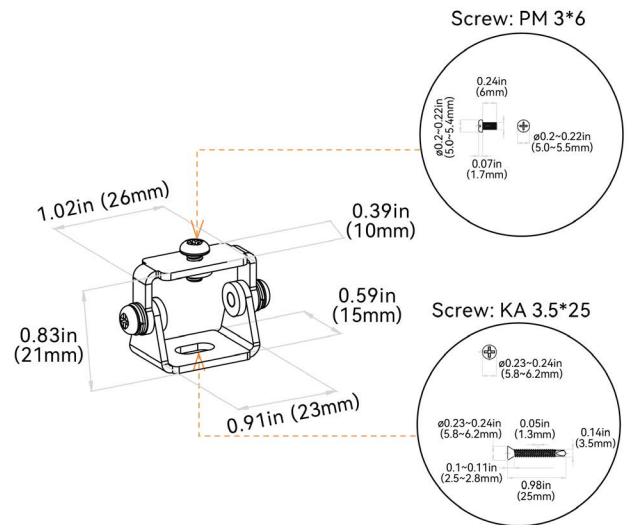
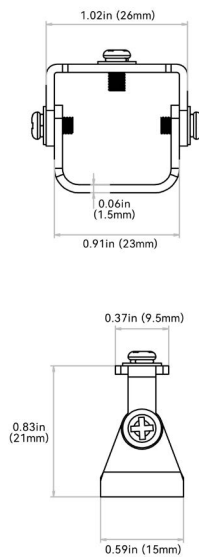
ALIGNMENT BRACKET - ALUMINUM SILICONE GRIP: MA8G |

Applicable to aluminum silicone grip



PIVOT BRACKET: MA10 | MA00PMB00000

Applicable to all mounting profiles.



HIGH OUTPUT WAVE XL: SILICONE - 24V

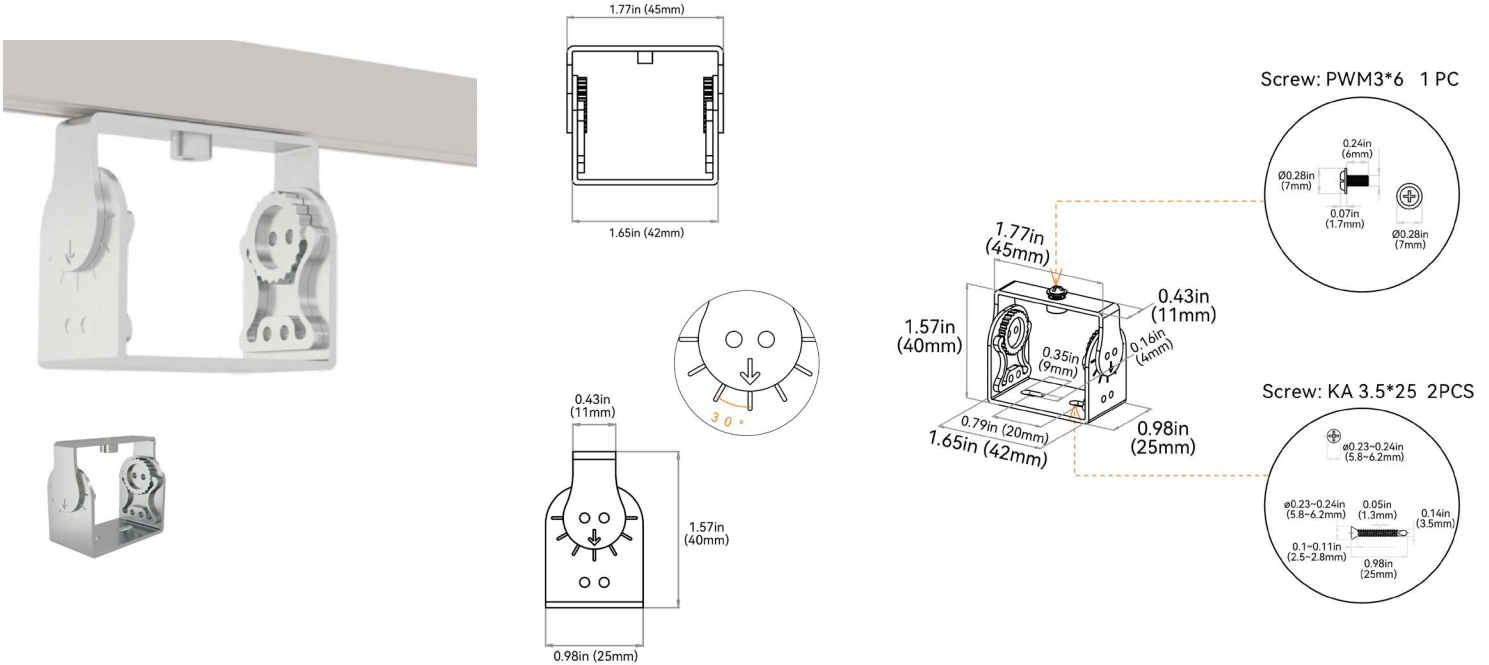
Indoor & Outdoor Rated Linear Flex Profile - Static Whites



G

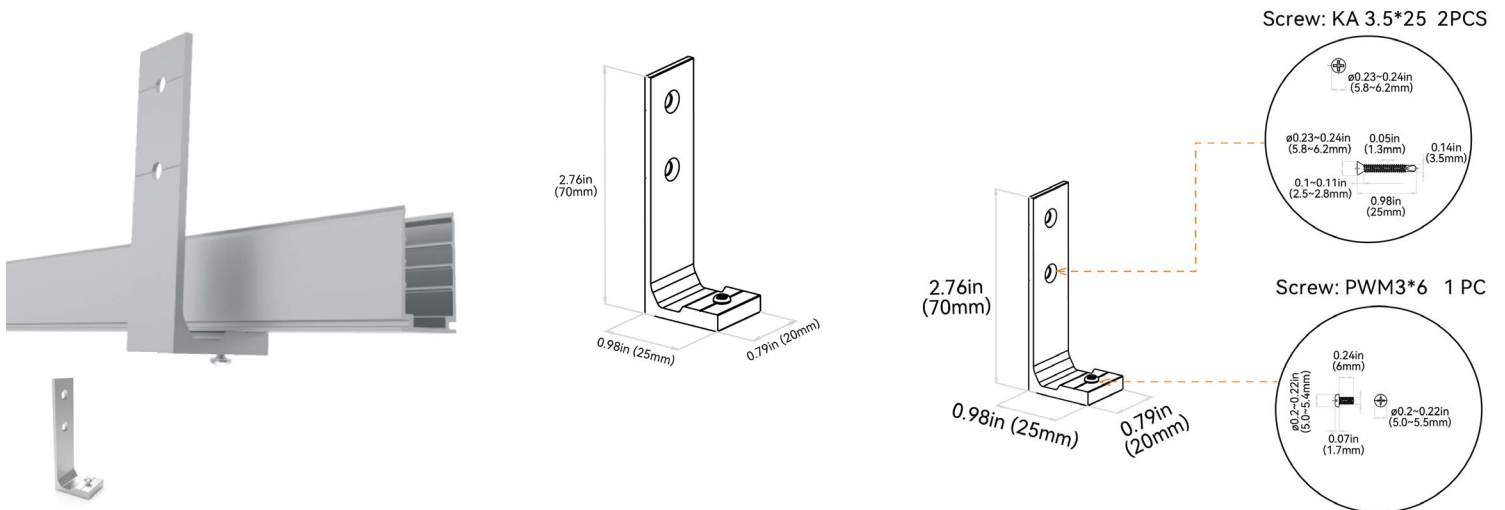
ROTARY BRACKET: MA20 | MA00BRL00000

Applicable to all mounting profiles.



SIDE MOUNTING BRACKET: MA30 | MA00SMB00000

Applicable to all mounting profiles.



HIGH OUTPUT WAVE XL: SILICONE - 24V

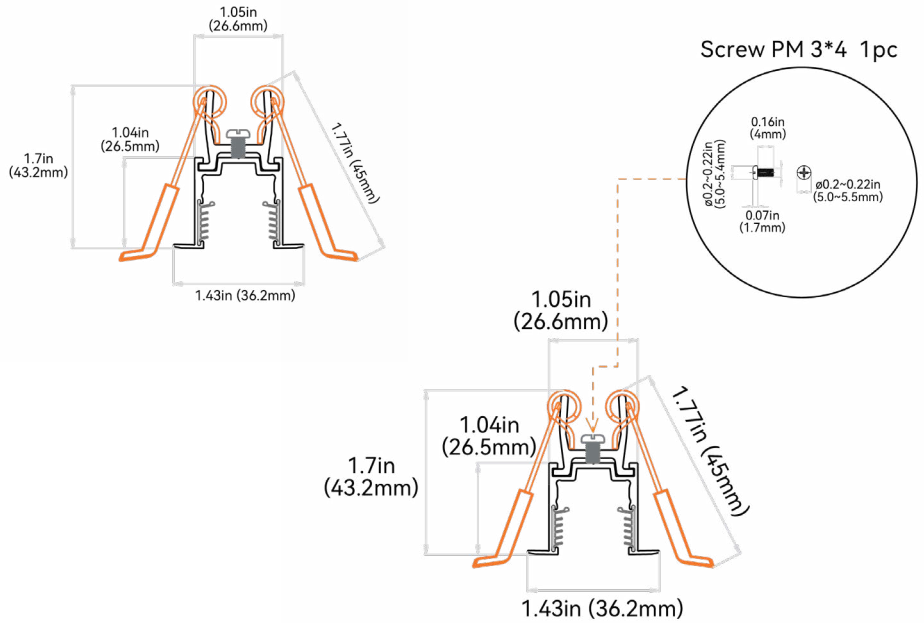
Indoor & Outdoor Rated Linear Flex Profile - Static Whites



G

CEILING CLIP BRACKET

Applicable to aluminum profile - recessed - silicone grip



SUSPENDED WIRE

Applicable to Aluminum Profile - Silicone Grip. 2 kits of stainless steel wires for 39.37in (1000mm) of profile & 3 kits of stainless steel wires for 78.74in (2000mm) of profile.

