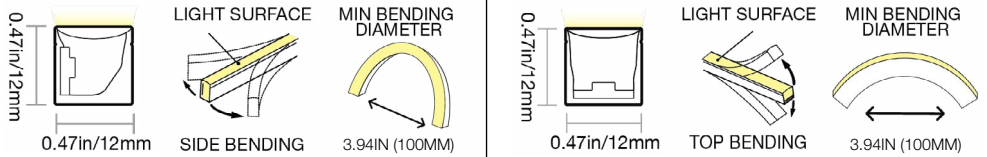


VIVID C12: SILICONE - 24V

Indoor & Outdoor Rated Linear Flex Profile - Static Whites & Colors



PROFILE CAPABILITIES



CERTIFICATIONS & FEATURES*



TEMPERATURES

AMBIENT OPERATING TEMPERATURE:

-40°F to 131°F (-40°C to 55°C)

AMBIENT INSTALLATION TEMPERATURE:

-40°F to 131°F (-40°C to 55°C)

FIXTURE STORAGE TEMPERATURE:

-40°F to 140°F (-40°C to 60°C)

MAX MOUNTING SURFACE TEMPERATURE:

185°F (85°C)

HUMIDITY (NON-CONDENSING):

0-95%

THERMAL MANAGEMENT:

Free Air Convection

FIXTURE ORDER CODE

E		A				B		
INPUT CONNECTORS	SERIES	MATERIAL	PROFILE	BENDING	JACKET/BASE + LENS COLOR	LED FUNCTION	LED COLOR	CHIP + CRI
See Page 6 to to select input connector	V = Vivid	1 = Silicone	K = C12	1 = Side 2 = Top	W = White + Diffused	1 = Static	A = Amber B = Blue C = Green E = Red H = 2200K J = 2700K L = 3000K M = 3500K N = 4000K Q = 5700K	7 = DOM LED Chip Colors 8 = DOM LED Chip + CRI80 Whites
C		D	E		F	G		
POWER	VOLTAGE + CIRCUIT TYPE	ORDER UNIT LENGTH	OUTPUT CONNECTOR		MOUNTING PROFILE	MOUNTING ACCESSORIES	POWER SUPPLIES & CONTROLS:	
E = 2.74W/ft (9W/m)	3V = 24V DC CV	R = 0.56in (14.28mm)	See Page 6 to select output connector		See Page 10 to select mounting profiles	See Page 12 to select accessory	By Others By GLLS	

*Maximum IP and IK ratings achievable with appropriate accessories, and cable diameter: silicone static = 0.26in (6.5mm).

VIVID C12: SILICONE - 24V

Indoor & Outdoor Rated Linear Flex Profile - Static Whites & Colors



A

MECHANICAL

ASSEMBLY

Fixtures are carefully assembled using high-quality components to ensure durability and performance. Each unit is built to meet strict specifications, with attention to electrical safety, thermal management, and optical alignment.

OVERALL & CUTTING LENGTHS

Fixtures feature defined overall lengths and specific cutting increments for easy customization. Cutting must be done at marked points to maintain proper function and consistent light output.

JACKET COLOR

The white jackets, with diffused white lens covers provide a clean, uniform appearance while softening light output for reduced glare. It enhances visual comfort and delivers smooth, even illumination ideal for architectural and display applications.

BENDING RADIUS

Do not bend smaller than allowed minimum bend diameter, or may cause damage to the light & void warranty.

OPERATION

LIGHT ENGINE

Static Pulse Width Modulation (PWM) light engines deliver stable, flicker-free light at a fixed brightness. They offer consistent color and reliable performance for long-term applications.

ELECTRICAL

Designed to meet UL, CE, and RoHS standards, they feature overload, overvoltage, and short-circuit protection, along with low EMI and efficient thermal management for safe, reliable operation.

DIMMING

Dimming of 24V PWM fixtures is achieved via the driver or decoder used in the system. Depending on the selected driver/decoder, control options can include 0-10V, DMX, or DALI, enabling smooth, flicker-free dimming while maintaining consistent color and performance. Note: DMX and DALI are supported at the system level, not natively by the fixture.

GENERAL

WARRANTY

Limited 3-Year Warranty against defects in materials and manufacturing. Coverage applies to properly installed and maintained products. Damage from misuse or improper installation is not covered. G.L.L.S. may repair, replace, or issue credit for eligible claims.

LUMEN MAINTENANCE

G.L.L.S. static lighting fixtures are tested to IES LM-84 and projected with IES TM-28 to ensure consistent lumen maintenance. Fixtures are designed to retain at least 70% of their initial brightness (L70) over a 10-year lifespan when properly installed and operated.

CERTIFICATION

Tested to UL2108 Class 2 by Underwriters Laboratory for use in the USA and Canada. Exceeds ANSI C78.377A, CE, and RoHS standards. Must be used under Class 2 ratings to maintain certification.

UL Certificate #: E347880

Report Reference #: E347880-20130503

TESTING

OPTICAL TESTING

TEST	RESULTS
Spectrum Analysis	IES LM 79 (Lumen, CCT, CRI, XY, SDCM, Wavelength)
Photometric Distribution	IES LM 79
Lumen Maintenance & Lifetime	IES LM 84 & IES TM28

TEMPERATURE TESTING

TEST	RESULTS
Normal Temperature Test	UL1598 & UL2388 & IEC60598-1 & IEC60598-2-21
Abnormal Operation Test	UL1598 & UL2388 & IEC60598-1 & IEC60598-2-21

ENVIRONMENTAL TESTING

TEST	RESULTS
Salt Water Immersion	IEC60598-1, Saltinity 4%
Salt Spray Test	IEC60068-2-11
Outdoor Exposure	Manufacturer-defined
Flame Resistance	UL94
UV Exposure	ASTMG 154, ISO 4892-3, UVA @ 340nm & 55
IPX8	EN 60598-1: 2015+A1:2018 Clause 9.2.2 & 9.2.8
Temperature Shock(Silicone)	Manufacturer-defined, -40°C - 60°C (typical temperature range)
Constant Temperature	Manufacturer-defined
12mm Needle Flame Test (Silicone)	IEC60695-11-5
650 Glow-wire Test (Silicone)	IEC60695-2-10

DURABILITY TESTING

TEST	RESULTS
Bending Test	Manufacturer-defined, 500 cycles
Tensile Test	Manufacturer-defined, > The weight of light in max.
Twist Test	Manufacturer-defined, >200 cycles
Ball Impact	UL1598 & UL2388 & IEC60598-1 & IEC60598-2-21
IK	IEC62262



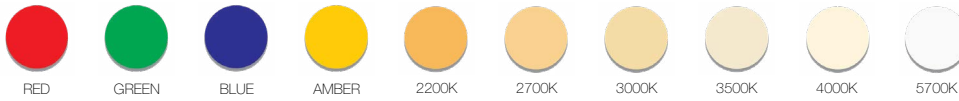
VIVID C12: SILICONE - 24V

Indoor & Outdoor Rated Linear Flex Profile - Static Whites & Colors



B

LED COLORS - WHITES



FIXTURE SPECIFICATIONS & OPTICAL PARAMETERS - WHITE JACKET + DIFFUSED LENS - SIDE BEND

COLOR	LED COUNT	1 CONNECTOR FULL/DYNAMIC*	2 CONNECTORS FULL/DYNAMIC*	UL CLASS 2 MAX RUN**	FIXTURE COLOR TOLERANCE***	WAVELENGTH/CCT	LED CRI	LED COLOR TOLERANCE	LUMEN COUNT	LEGACY ORDER CODE
RED	42 LEDs/ft (140 LEDs/m)	19.6ft (6m) / N/A	39.4ft (12m) / N/A	35ft (11m)	N/A	618-624nm	82-87	<2.3SDCM	38lm/ft (125lm/m)	SF12J1012WERED24DV
GREEN	42 LEDs/ft (140 LEDs/m)	19.6ft (6m) / N/A	39.4ft (12m) / N/A	35ft (11m)	N/A	522-528nm	82-87	<2.3SDCM	149lm/ft (490lm/m)	SF12J1012WEGRE24DV
BLUE	42 LEDs/ft (140 LEDs/m)	19.6ft (6m) / N/A	39.4ft (12m) / N/A	35ft (11m)	N/A	468-474nm	82-87	<2.3SDCM	26lm/ft (85lm/m)	SF12J1012WEBLU24DV
AMBER	42 LEDs/ft (140 LEDs/m)	19.6ft (6m) / N/A	39.4ft (12m) / N/A	35ft (11m)	N/A	588-594nm	82-87	<2.3SDCM	117lm/ft (385lm/m)	SF12J1012WEAMB24DV
2200K	42 LEDs/ft (140 LEDs/m)	19.6ft (6m) / N/A	39.4ft (12m) / N/A	35ft (11m)	<3SDCM	2238 ± 82K	82-87	<2.3SDCM	128lm/ft (420lm/m)	SF12J1012WE22K24DV
2700K	42 LEDs/ft (140 LEDs/m)	19.6ft (6m) / N/A	39.4ft (12m) / N/A	35ft (11m)	<3SDCM	2725 ± 115K	82-87	<2.3SDCM	128lm/ft (420lm/m)	SF12J1012WE27K24DV
3000K	42 LEDs/ft (140 LEDs/m)	19.6ft (6m) / N/A	39.4ft (12m) / N/A	35ft (11m)	<3SDCM	3045 ± 140K	82-87	<2.3SDCM	128lm/ft (420lm/m)	SF12J1012WE30K24DV
3500K	42 LEDs/ft (140 LEDs/m)	19.6ft (6m) / N/A	39.4ft (12m) / N/A	35ft (11m)	<3SDCM	3465 ± 170K	82-87	<2.3SDCM	128lm/ft (420lm/m)	SF12J1012WE35K24DV
4000K	42 LEDs/ft (140 LEDs/m)	19.6ft (6m) / N/A	39.4ft (12m) / N/A	35ft (11m)	<3SDCM	3985 ± 225K	82-87	<2.3SDCM	128lm/ft (420lm/m)	SF12J1012WE40K24DV
5700K	42 LEDs/ft (140 LEDs/m)	19.6ft (6m) / N/A	39.4ft (12m) / N/A	35ft (11m)	<3SDCM	5665 ± 355K	82-87	<2.3SDCM	128lm/ft (420lm/m)	SF12J1012WE57K24DV

*Run length is based on a static full load with voltage drop calculated using a 0.3 m (0.98 ft) cable with silicone seamless connectors, excluding connector length—refer to specifications for details. **For UL Class 2 calculations, GLLS uses a maximum output of 96 W / 96 VA for 24 V circuits, unless otherwise confirmed by the listed driver. All runs are assumed to be single-feed from one Class 2 output. Dual-feeding from separate drivers does not qualify as Class 2 unless the run is electrically split into isolated sections. ***Silicone products maintain ≤3 SDCM within a single production run and <5 SDCM between production runs.



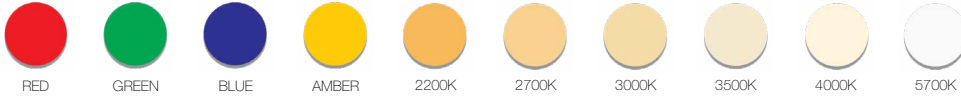
VIVID C12: SILICONE - 24V

Indoor & Outdoor Rated Linear Flex Profile - Static Whites & Colors



B

LED COLORS - WHITES



FIXTURE SPECIFICATIONS & OPTICAL PARAMETERS - WHITE JACKET + DIFFUSED LENS - TOP BEND

COLOR	LED COUNT	1 CONNECTOR FULL/DYNAMIC*	2 CONNECTORS FULL/DYNAMIC*	UL CLASS 2 MAX RUN**	FIXTURE COLOR TOLERANCE***	WAVELENGTH/ CCT	LED CRI	LED COLOR TOLERANCE	LUMEN COUNT	LEGACY ORDER CODE
RED	42 LEDs/ft (140 LEDs/m)	19.6ft (6m) / N/A	39.4ft (12m) / N/A	35ft (11m)	N/A	618-624nm	82-87	<2.3SDCM	44lm/ft (145lm/m)	SF12J0012WERED24DV
GREEN	42 LEDs/ft (140 LEDs/m)	19.6ft (6m) / N/A	39.4ft (12m) / N/A	35ft (11m)	N/A	522-528nm	82-87	<2.3SDCM	168lm/ft (550lm/m)	SF12J0012WEGRE24DV
BLUE	42 LEDs/ft (140 LEDs/m)	19.6ft (6m) / N/A	39.4ft (12m) / N/A	35ft (11m)	N/A	468-474nm	82-87	<2.3SDCM	30lm/ft (100lm/m)	SF12J0012WEBLU24DV
AMBER	42 LEDs/ft (140 LEDs/m)	19.6ft (6m) / N/A	39.4ft (12m) / N/A	35ft (11m)	N/A	588-594nm	82-87	<2.3SDCM	134lm/ft (440lm/m)	SF12J0012WEAMB24DV
2200K	42 LEDs/ft (140 LEDs/m)	19.6ft (6m) / N/A	39.4ft (12m) / N/A	35ft (11m)	<3SDCM	2238 ± 82K	82-87	<2.3SDCM	146lm/ft (480lm/m)	SF12J0012WE22K24DV
2700K	42 LEDs/ft (140 LEDs/m)	19.6ft (6m) / N/A	39.4ft (12m) / N/A	35ft (11m)	<3SDCM	2725 ± 115K	82-87	<2.3SDCM	146lm/ft (480lm/m)	SF12J0012WE27K24DV
3000K	42 LEDs/ft (140 LEDs/m)	19.6ft (6m) / N/A	39.4ft (12m) / N/A	35ft (11m)	<3SDCM	3045 ± 140K	82-87	<2.3SDCM	146lm/ft (480lm/m)	SF12J0012WE30K24DV
3500K	42 LEDs/ft (140 LEDs/m)	19.6ft (6m) / N/A	39.4ft (12m) / N/A	35ft (11m)	<3SDCM	3465 ± 170K	82-87	<2.3SDCM	146lm/ft (480lm/m)	SF12J0012WE35K24DV
4000K	42 LEDs/ft (140 LEDs/m)	19.6ft (6m) / N/A	39.4ft (12m) / N/A	35ft (11m)	<3SDCM	3985 ± 225K	82-87	<2.3SDCM	146lm/ft (480lm/m)	SF12J0012WE40K24DV
5700K	42 LEDs/ft (140 LEDs/m)	19.6ft (6m) / N/A	39.4ft (12m) / N/A	35ft (11m)	<3SDCM	5665 ± 355K	82-87	<2.3SDCM	146lm/ft (480lm/m)	SF12J0012WE57K24DV

*Run length is based on a static full load with voltage drop calculated using a 0.3 m (0.98 ft) cable with silicone seamless connectors, excluding connector length—refer to specifications for details. **For UL Class 2 calculations, GLLS uses a maximum output of 96 W / 96 VA for 24 V circuits, unless otherwise confirmed by the listed driver. All runs are assumed to be single-feed from one Class 2 output. Dual-feeding from separate drivers does not qualify as Class 2 unless the run is electrically split into isolated sections. ***Silicone products maintain ≤3 SDCM within a single production run and <5 SDCM between production runs.



VIVID C12: SILICONE - 24V

Indoor & Outdoor Rated Linear Flex Profile - Static Whites & Colors



C

POWER & VOLTAGE

COLOR	JACKET + LENS	VOLTAGE + CIRCUIT TYPE	POWER CONSUMPTION
RED			
GREEN			
BLUE			
AMBER			
2200K	White + Diffused	24V DC CV	2.74W/ft (9W/m)
2700K			
3000K			
3500K			
4000K			
5700K			

D

CUTTING INSTRUCTIONS

COLOR	JACKET + LENS	ORDER UNIT (CUTTING UNIT)
RED		
GREEN		
BLUE		
AMBER		
2200K	White + Diffused	0.56in (14.28mm) (2 LEDs)
2700K		
3000K		
3500K		
4000K		
5700K		



VIVID C12: SILICONE - 24V

Indoor & Outdoor Rated Linear Flex Profile - Static Whites & Colors



E

COMPATIBLE CONNECTORS

INPUT - 01

PROFILE	BENDING	WIRING	INPUT CONNECTOR TYPE	INPUT ORIENTATION + TYPE	INPUT CABLE LENGTH (LEAD WIRE)
---------	---------	--------	----------------------	--------------------------	--------------------------------

OUTPUT - 02

PROFILE	BENDING	WIRING	OUTPUT CONNECTOR TYPE	OUTPUT ORIENTATION + TYPE	OUTPUT CABLE LENGTH (LEAD WIRE)
K = C12	1 = Side 2 = Top 4 = N/A (End Cap)	1 = 2 Wire (Static) 0 = N/A (End Cap)	8 = Click	A = End Exit I = End Cap	1 = 0.98ft (0.3m) 2 = 3.28ft (1m) 3 = 9.84ft (3m) 4 = 16ft (5m) 8 = N/A
			2 = Silicone Seamless	A = End Exit B = Bottom Exit C = Side Left Exit D = Side Right Exit E = End Jumper H = Power T-Feed I = End Cap	1 = 0.98ft (0.3m) 2 = 3.28ft (1m) 3 = 9.84ft (3m) 4 = 16ft (5m) 5 = 32.81ft (10m) 6 = 49.21ft (15m) 7 = 65.62ft (20m) 8 = N/A

LEGACY CONNECTOR ORDER CODE

FA	12J	X	00	XX	SE	X	XX	XXX	X
PRODUCT TYPE	PROFILE	BENDING	LIGHT EMITTING	FUNCTIONALITY	CONNECTOR TYPE	FIXTURE END	EXIT TYPE	LENGTH	
NA = DIY Accessories FA = Factory Accessories	12J = C12	1 = Side 2 = Top	00 = 12J	2W = Static/DTW 3W = Tunable White 4W = RGB 5W = RGBW 0W = For End Cap	CL = Click SE = Seamless	1 = Input Side 2 = Output Side 0 = Jumpers/T-feeds/ Seamless Bottom/ Seamless End	EN = End BO = Bottom SL = Side Left SR = Side Right EJ = End Jumper BJ = Bottom Jumper TF = Power Feed EC = End Cap	0M3 = 0.98ft (30cm) 01M = 3.28ft (1m) 03M = 9.84ft (3m) 05M = 16ft (5m) 10M = 32.81ft (10m) 000 = For End Cap	P = Power or For End Cap S = Signal & Power



VIVID C12: SILICONE - 24V

Indoor & Outdoor Rated Linear Flex Profile - Static Whites & Colors



E

CLICK CONNECTOR

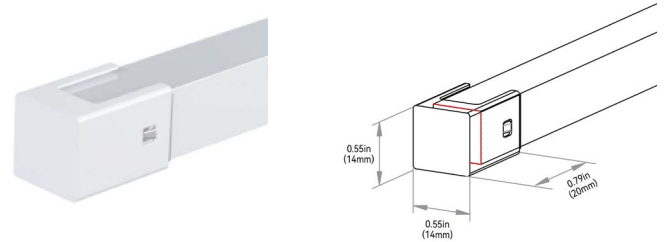
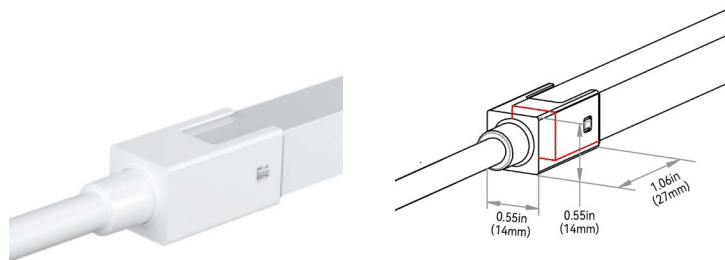


- NOTES:
1. Connector Tolerance ± 0.02 in (0.5mm)
 2. Cable diameter: Static Silicone = 0.26in (6.5mm)
 3. Do not apply force to the feed cable
 4. Ensure Max. Cable Lengths are followed according to wire gage to avoid voltage drop

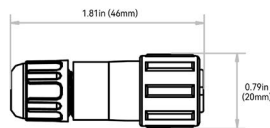
IP65; tool-less & mini size. Recommended for outdoor environments & for onsite length adjustments. Click connector, a new type of field-assembly connector for outdoor use, brass casing, features unexceptional adaptability and excellent weather resistance. It achieves the unique balance between waterproof performance and physical dimension, highly functional yet incredibly minimal, giving you an extraordinary visual experience due to the less dark area at the joining area. The whole assembling process is tool-less and quick, benefiting from its simple but smart structure design. The remarkable innovation lies in the invisible waterproof pretreatment on the cable, which facilitates the wiring and slotting on the site greatly as the extra anti-wicking ferrule on the cable is no longer needed. DIY or custom factory assembly.

END EXIT: K#18A#

END CAP: K40818



SCREW LOCK CONNECTOR ACCESSORY - IP67



NOTE: The tolerance is ± 0.08 in (2mm).



VIVID C12: SILICONE - 24V

Indoor & Outdoor Rated Linear Flex Profile - Static Whites & Colors



E

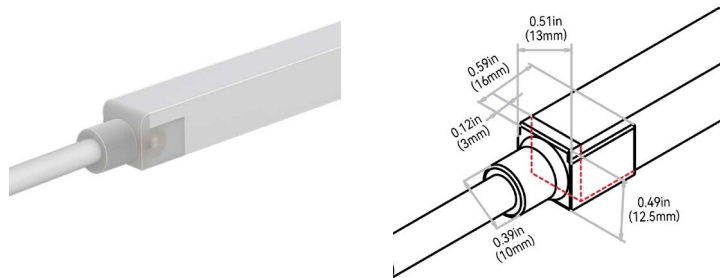
SILICONE SEAMLESS CONNECTOR



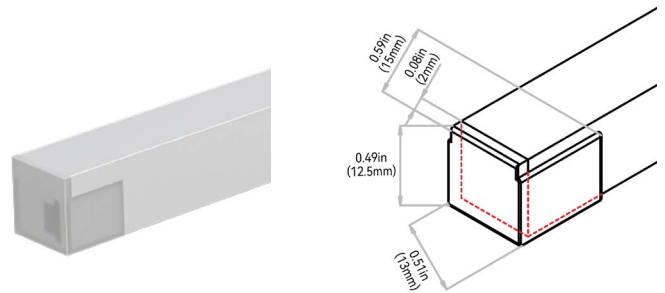
- NOTES:
1. Connector Tolerance ± 0.02 in (0.5mm)
 2. Cable diameter: Static, Tunable, RGB & RGBW Silicone = 0.26in (6.5mm)
 3. Do not apply force to the feed cable
 4. Ensure Max. Cable Lengths are followed according to wire gage to avoid voltage drop

IP68; seamless; precise low profile dimension; high grade quality silicone & anti-wicking ferrule. Recommended for; wet environments; custom predetermined lengths; high/ low temperatures; increased humidity; direct UV exposure; harsh working conditions & increased handling forces during installation. Precision milling and special glue Silicone liquid injection-moulded workmanship enables an almost consistent size between connectors and lightbody, and the transparent terminal of the connector allows the seamless effects spliced end by end. DryWire technology applied on the cable eliminates the capillary phenomenon through wires, which secured the long-term reliability in outdoor or any wet environments. Custom factory assembly.

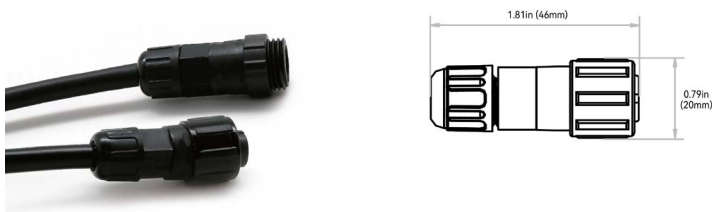
END EXIT: K#12A#



END CAP: K402I8

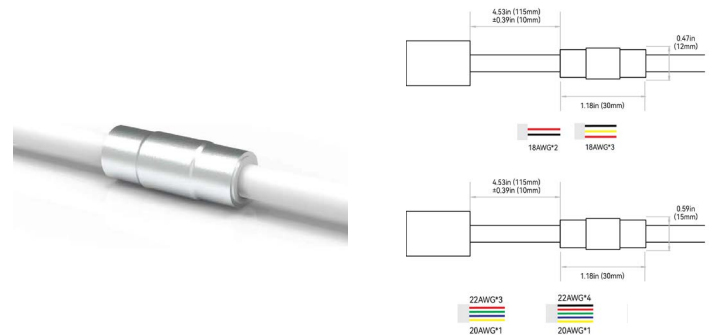


SCREW LOCK CONNECTOR ACCESSORY - IP67



NOTE: The tolerance is ± 0.08 in (2mm).

ANTI-WICKING FERRULE:



- NOTES:
1. The anti-wicking ferrule is located at 4.53in (115mm) (± 0.39 in [± 10 mm] tolerance) from the connector on the cable. For protection against water ingress.
 2. The removal of anti-wicking ferrule will void the warranty if any water ingress caused by it.



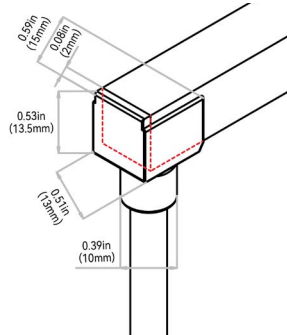
VIVID C12: SILICONE - 24V

Indoor & Outdoor Rated Linear Flex Profile - Static Whites & Colors

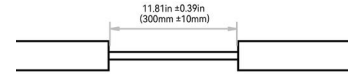
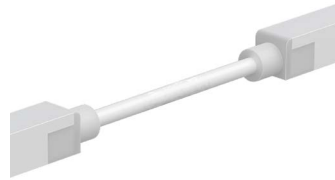


E

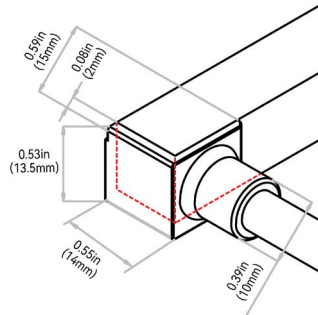
BOTTOM EXIT: K#12B#



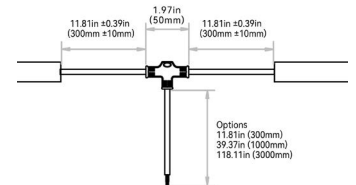
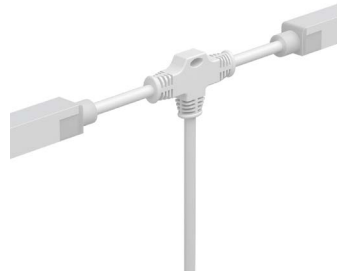
END JUMPER: K#12E1



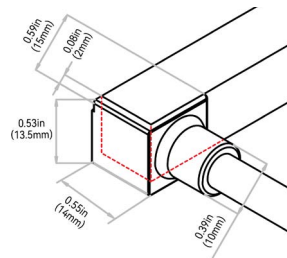
SIDE LEFT EXIT: K#12C#



POWER T-FEED: K#12H#



SIDE RIGHT EXIT: K#12D#



VIVID C12: SILICONE - 24V

Indoor & Outdoor Rated Linear Flex Profile - Static Whites & Colors



F

MOUNTING PROFILES

MOUNTING PROFILE TYPE	STANDARD LENGTH	PROFILE	COLOR	BEND
A4 = Aluminum Silicone Grip	1 = 0.79in (20mm) 3 = 19.68in (500mm) 5 = 39.37in (1000mm) 6 = 78.74in (2000mm)	K = C12	1 = Standard	4 = N/A
A5 = Aluminum Flexible	3 = 19.68in (500mm) 5 = 39.37in (1000mm)			1 = Side



VIVID C12: SILICONE - 24V

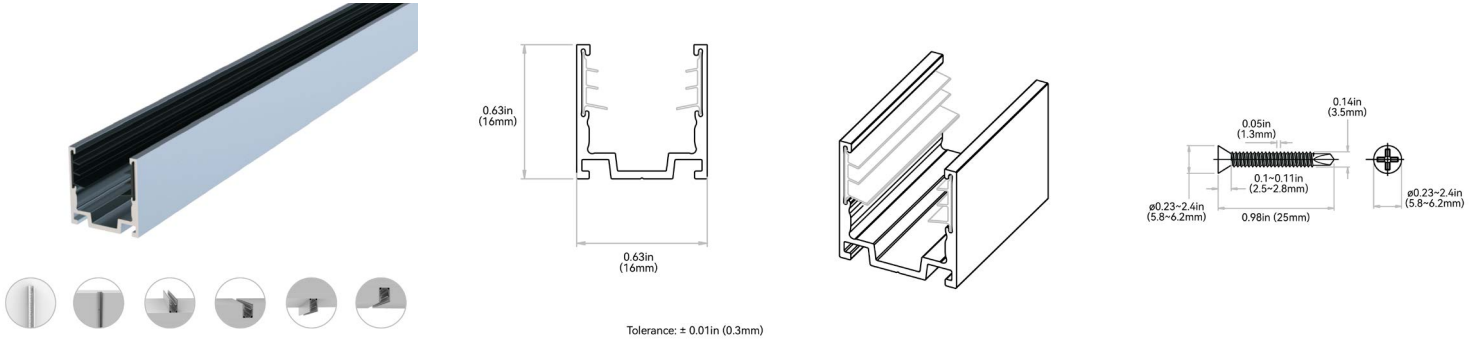
Indoor & Outdoor Rated Linear Flex Profile - Static Whites & Colors



F

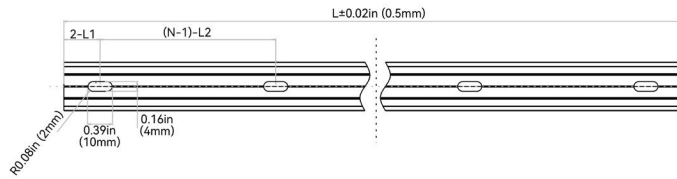
ALUMINUM PROFILE - SILICONE GRIP

High-quality 6063 aluminum with thin-wall, light-weight design. Includes a serated silicone grip insert designed to hold fixture with additional force. Recommended on projects mounted upside down. It is deformation and rust resistant, and cost-effective. Please refer to install manual for proper installation practices.



Tolerance: ± 0.01in (0.3mm)

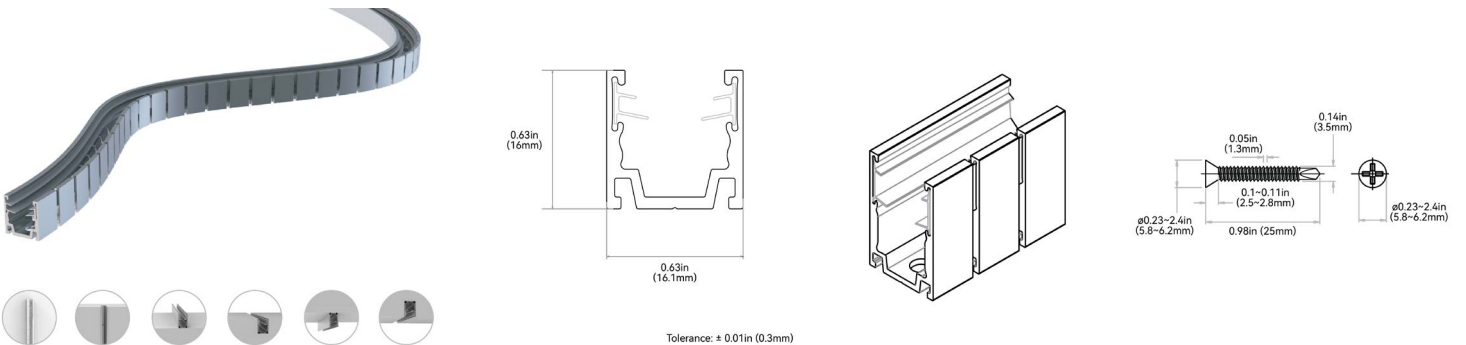
NOTES: 1. 2-L1 refers to two of symmetric L1 in each piece of profile.
 2. (N-1)-L2 refers to (N minus one) of symmetric L2 in each piece of profile.
 "N" hereby stands for its corresponding "Hole Number" in the below table



ORDER CODE	LEGACY ORDER CODE	STANDARD LENGTH	L1	L2	SLOTTED HOLE	HOLE #
A41K14	CL12RAL02CSE	0.79in (20mm)	0.39in (10mm)	N/A	0.16*0.39in (4*10mm)	1
A43K14	CH12RAL0M5SE	19.68in (500mm)	1.97in (50mm)	7.87in (200mm)	0.16*0.39in (4*10mm)	3
A45K14	CH12RAL01MSE	39.37in (1000mm)	3.93in (100mm)	7.87in (200mm)	0.16*0.39in (4*10mm)	5
A46K14	CH12RAL02MSE	78.74in (2000mm)	3.93in (100mm)	7.87in (200mm)	0.16*0.39in (4*10mm)	10

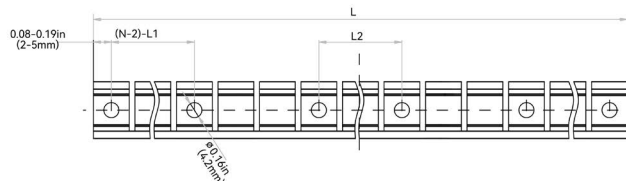
ALUMINUM PROFILE - FLEXIBLE

It is an expanded design of the flexible aluminum profile, and caters for the continuously streamlined aesthetics of curve shape. The secondary precision cutting process, not only maintains the advantage of clamping force, but also enables the two-way side bending directions with super shape memory. Please refer to install manual for proper installation practices.



Tolerance: ± 0.01in (0.3mm)

NOTES: 1. 2-L1 refers to two of symmetric L1 in each piece of profile.
 2. (N-1)-L2 refers to (N minus one) of symmetric L2 in each piece of profile.
 "N" hereby stands for its corresponding "Hole Number" in the below table



ORDER CODE	LEGACY ORDER CODE	STANDARD LENGTH	L1	L2	SLOTTED HOLE	HOLE #
A53K11	CH12FAL0M5SE	19.68in (500mm)	4.34in (110.3mm)	1.92in (48.9mm)	Ø 0.17in (4.2mm)	6
A55K11	CH12FAL01MSE	39.37in (1000mm)	4.39in (111.4mm)	3.89in (98.8mm)	Ø 0.17in (4.2mm)	10



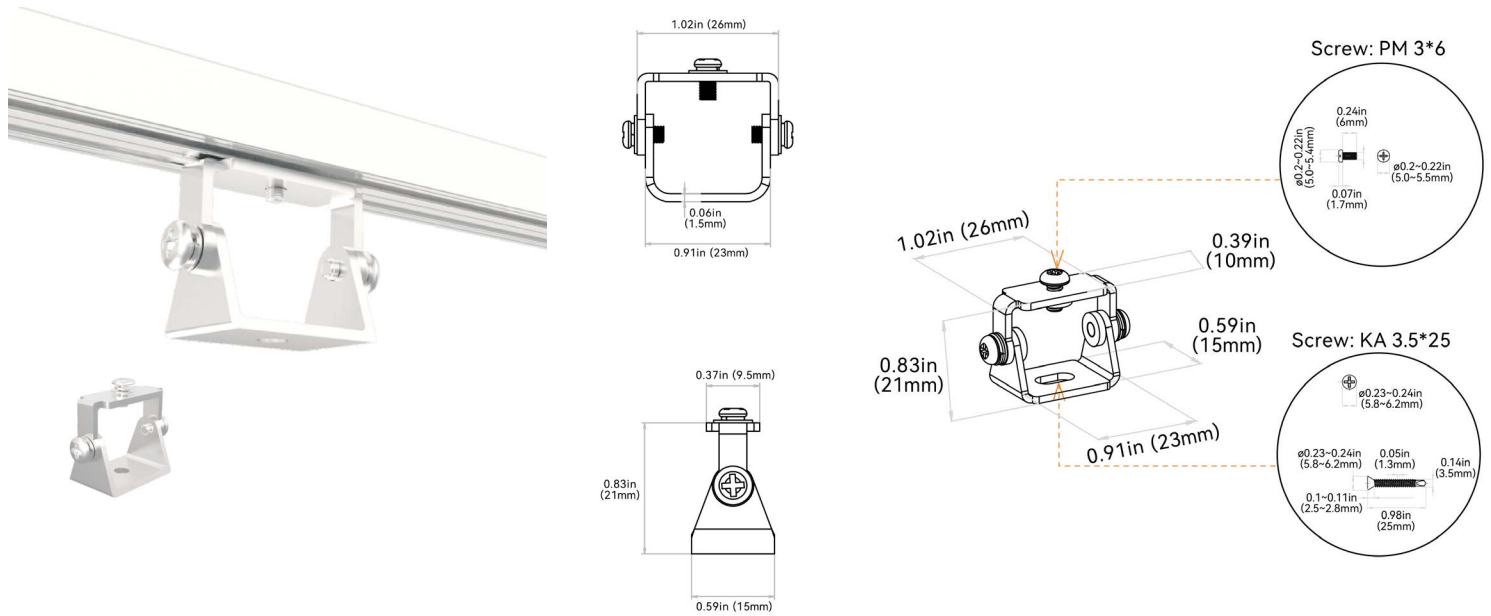
G

MOUNTING ACCESSORIES

MOUNTING ACCESSORY TYPE	PROFILE
MA1 = Pivot Bracket	O = All Profiles
MA2 = Rotary Bracket	
MA3 = Side Bracket	

PIVOT BRACKET: MA10 | MA00PMB00000

Applicable to all mounting profiles.



VIVID C12: SILICONE - 24V

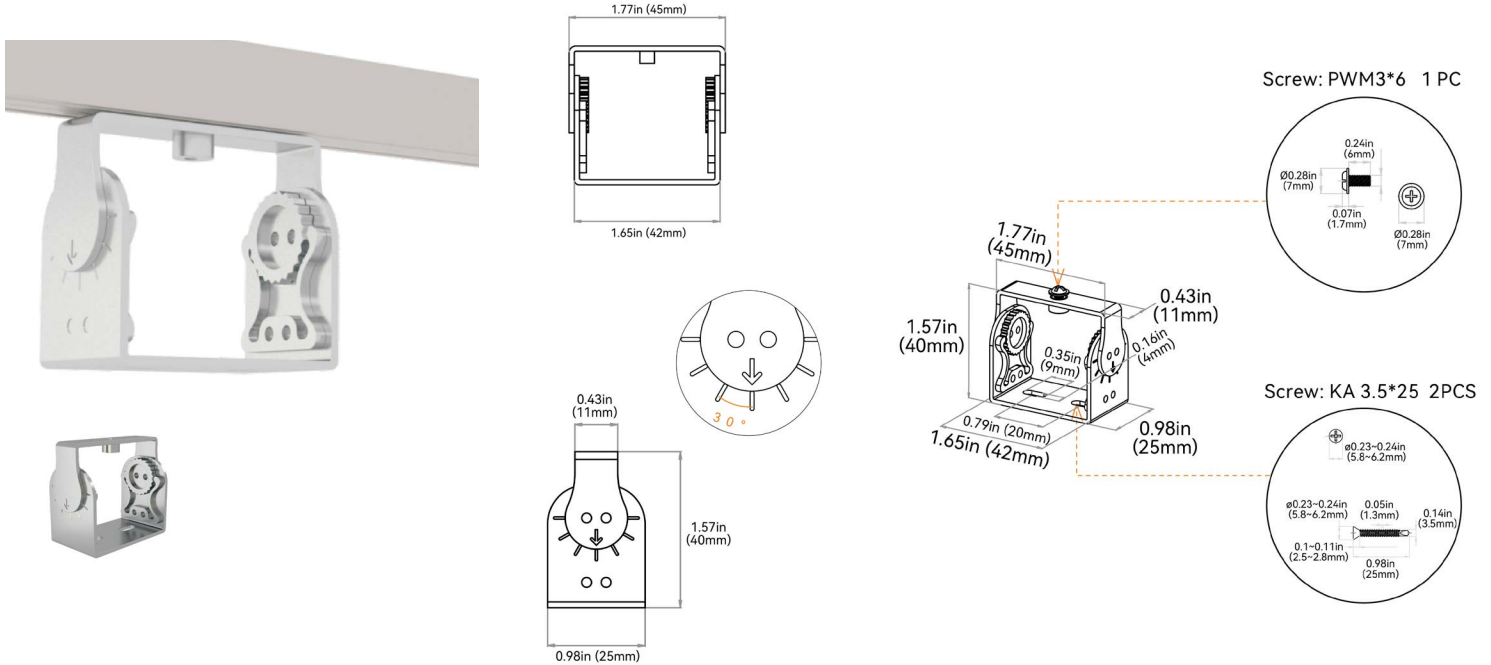
Indoor & Outdoor Rated Linear Flex Profile - Static Whites & Colors



G

ROTARY BRACKET: MA20 | MA00BRL00000

Applicable to all mounting profiles.



SIDE MOUNTING BRACKET: MA30 | MA00SMB00000

Applicable to all mounting profiles.

