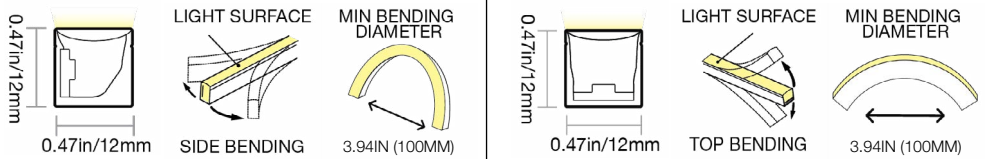


## VIVID C12: SILICONE - 24V

Indoor & Outdoor Rated Linear Flex Profile - RGBW PWM



### PROFILE CAPABILITIES



### CERTIFICATIONS & FEATURES\*



### TEMPERATURES

**AMBIENT OPERATING TEMPERATURE:**

-40°F to 113°F (-40°C to 45°C)

**AMBIENT INSTALLATION TEMPERATURE:**

-40°F to 113°F (-40°C to 45°C)

**FIXTURE STORAGE TEMPERATURE:**

-40°F to 140°F (-40°C to 60°C)

**MAX MOUNTING SURFACE TEMPERATURE:**

185°F (85°C)

**HUMIDITY (NON-CONDENSING):**

0-95%

**THERMAL MANAGEMENT:**

Free Air Convection

### FIXTURE ORDER CODE

E		A				B		
INPUT CONNECTORS	SERIES	MATERIAL	PROFILE	BENDING	JACKET/BASE + LENS COLOR	LED FUNCTION	LED COLOR	CHIP + CRI
See Page 5 to to select input connector	V = Vivid	1 = Silicone	K = C12	1 = Side 2 = Top	W = White + Diffused	4 = RGBW	J = 2700K N = 4000K	8 = DOM LED Chip + CRI80
C		D	E	F		G		
POWER	VOLTAGE + CIRCUIT TYPE	ORDER UNIT LENGTH	OUTPUT CONNECTOR		MOUNTING PROFILE	MOUNTING ACCESSORIES	POWER SUPPLIES & CONTROLS:	
E = 2.74W/ft (9W/m)	3V = 24V DC CV	C = 1.97in (50mm)	See Page 5 to select output connector		See Page 8 to select mounting profiles	See Page 10 to select accessory	By Others By GLLS	

\*Maximum IP and IK ratings achievable with appropriate accessories, and cable diameter: silicone RGBW = 0.26in (6.5mm).

# VIVID C12: SILICONE - 24V

Indoor & Outdoor Rated Linear Flex Profile - RGBW PWM



A

## MECHANICAL

### ASSEMBLY

Fixtures are carefully assembled using high-quality components to ensure durability and performance. Each unit is built to meet strict specifications, with attention to electrical safety, thermal management, and optical alignment.

### OVERALL & CUTTING LENGTHS

Fixtures feature defined overall lengths and specific cutting increments for easy customization. Cutting must be done at marked points to maintain proper function and consistent light output.

### JACKET COLOR

The white jackets, with diffused white lens covers provide a clean, uniform appearance while softening light output for reduced glare. It enhances visual comfort and delivers smooth, even illumination ideal for architectural and display applications.

### BENDING RADIUS

Do not bend smaller than allowed minimum bend diameter, or may cause damage to the light & void warranty.

## OPERATION

### LIGHT ENGINE

RGBW Pulse Width Modulation (PWM) light engines use pulse width modulation to deliver stable, flicker-free light at a fixed brightness. They offer consistent color and reliable performance for long-term application.

### ELECTRICAL

Designed to meet UL, CE, and RoHS standards, they feature overload, overvoltage, and short-circuit protection, along with low EMI and efficient thermal management for safe, reliable operation.

### DIMMING

Dimming of 24V PWM fixtures is achieved via the driver or decoder used in the system. Depending on the selected driver/decoder, control options can include 0-10V, DMX, or DALI, enabling smooth, flicker-free dimming while maintaining consistent color and performance. Note: DMX and DALI are supported at the system level, not natively by the fixture.

## GENERAL

### WARRANTY

Limited 3-Year Warranty against defects in materials and manufacturing. Coverage applies to properly installed and maintained products. Damage from misuse or improper installation is not covered. G.L.L.S. may repair, replace, or issue credit for eligible claims.

### LUMEN MAINTENANCE

G.L.L.S. static lighting fixtures are tested to IES LM-84 and projected with IES TM-28 to ensure consistent lumen maintenance. Fixtures are designed to retain at least 70% of their initial brightness (L70) over a 10-year lifespan when properly installed and operated.

### CERTIFICATION

Tested to UL2108 Class 2 by Underwriters Laboratory for use in the USA and Canada. Exceeds ANSI C78.377A, CE, and RoHS standards. Must be used under Class 2 ratings to maintain certification.

UL Certificate #: E347880

Report Reference #: E347880-20130503

## TESTING

### OPTICAL TESTING

TEST	RESULTS
Spectrum Analysis	IES LM 79 (Lumen, CCT, CRI, XY, SDCM, Wavelength)
Photometric Distribution	IES LM 79
Lumen Maintenance & Lifetime	IES LM 84 & IES TM28

### TEMPERATURE TESTING

TEST	RESULTS
Normal Temperature Test	UL1598 & UL2388 & IEC60598-1 & IEC60598-2-21
Abnormal Operation Test	UL1598 & UL2388 & IEC60598-1 & IEC60598-2-21

### ENVIRONMENTAL TESTING

TEST	RESULTS
Salt Water Immersion	IEC60598-1, Saltinity 4%
Salt Spray Test	IEC60068-2-11
Outdoor Exposure	Manufacturer-defined
Flame Resistance	UL94
UV Exposure	ASTMG 154, ISO 4892-3, UVA @ 340nm & 55
IPX8	EN 60598-1: 2015+A1:2018 Clause 9.2.2 & 9.2.8
Temperature Shock(Silicone)	Manufacturer-defined, -40°C - 60°C (typical temperature range)
Constant Temperature	Manufacturer-defined
12mm Needle Flame Test (Silicone)	IEC60695-11-5
650 Glow-wire Test (Silicone)	IEC60695-2-10

### DURABILITY TESTING

TEST	RESULTS
Bending Test	Manufacturer-defined, 500 cycles
Tensile Test	Manufacturer-defined, > The weight of light in max.
Twist Test	Manufacturer-defined, >200 cycles
Ball Impact	UL1598 & UL2388 & IEC60598-1 & IEC60598-2-21
IK	IEC62262



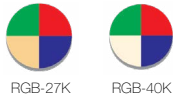
# VIVID C12: SILICONE - 24V

Indoor & Outdoor Rated Linear Flex Profile - RGBW PWM



B

## LED COLORS



## FIXTURE SPECIFICATIONS & OPTICAL PARAMETERS - WHITE JACKET + DIFFUSED LENS - SIDE BEND

COLOR	LED COUNT	1 CONNECTOR FULL/DYNAMIC*	2 CONNECTORS FULL/DYNAMIC*	UL CLASS 2 MAX RUN**	FIXTURE COLOR TOLERANCE***	WAVELENGTH/ CCT	LED CRI	LED COLOR TOLERANCE	LUMEN COUNT	LEGACY ORDER CODE
R; G; B; 2700K	73 LEDs/ft (240 LEDs/m)	16.4ft (5m) / 26.2ft (8m)	32.8ft (10m) / 52.4ft (16m)	35ft (11m)	N/A; N/A; N/A; <3SDCM	618-624nm; 522-528nm; 468-474nm; 2725 ± 85K	N/A; N/A; N/A; 82-87	<3nm; <3nm; <3nm; <2.3SDCM	11lm/ft (35lm/m); 20lm/ft (65lm/m); 5lm/ft (15lm/m); 30lm/ft (100lm/m)	SF12J1015WER2724DV
R; G; B; 4000K	73 LEDs/ft (240 LEDs/m)	16.4ft (5m) / 26.2ft (8m)	32.8ft (10m) / 52.4ft (16m)	35ft (11m)	N/A; N/A; N/A; <3SDCM	618-624nm; 522-528nm; 468-474nm; 3985 ± 150K	N/A; N/A; N/A; 82-87	<3nm; <3nm; <3nm; <2.3SDCM	11lm/ft (35lm/m); 20lm/ft (65lm/m); 5lm/ft (15lm/m); 30lm/ft (100lm/m)	SF12J1015WER4024DV

## FIXTURE SPECIFICATIONS & OPTICAL PARAMETERS - WHITE JACKET + DIFFUSED LENS - TOP BEND

COLOR	LED COUNT	1 CONNECTOR FULL/DYNAMIC*	2 CONNECTORS FULL/DYNAMIC*	UL CLASS 2 MAX RUN**	FIXTURE COLOR TOLERANCE***	WAVELENGTH/ CCT	LED CRI	LED COLOR TOLERANCE	LUMEN COUNT	LEGACY ORDER CODE
R; G; B; 2700K	73 LEDs/ft (240 LEDs/m)	16.4ft (5m) / 26.2ft (8m)	32.8ft (10m) / 52.4ft (16m)	35ft (11m)	N/A; N/A; N/A; <3SDCM	618-624nm; 522-528nm; 468-474nm; 2725 ± 85K	N/A; N/A; N/A; 82-87	<3nm; <3nm; <3nm; <2.3SDCM	15lm/ft (48lm/m); 26lm/ft (85lm/m); 7lm/ft (22lm/m); 37lm/ft (120lm/m)	SF12J0015WER2724DV
R; G; B; 4000K	73 LEDs/ft (240 LEDs/m)	16.4ft (5m) / 26.2ft (8m)	32.8ft (10m) / 52.4ft (16m)	35ft (11m)	N/A; N/A; N/A; <3SDCM	618-624nm; 522-528nm; 468-474nm; 3985 ± 150K	N/A; N/A; N/A; 82-87	<3nm; <3nm; <3nm; <2.3SDCM	15lm/ft (48lm/m); 26lm/ft (85lm/m); 7lm/ft (22lm/m); 37lm/ft (120lm/m)	SF12J0015WER4024DV

\*Run length is based on a static full load with voltage drop calculated using a 0.3 m (0.98 ft) cable with silicone seamless connectors, excluding connector length—refer to specifications for details. Max Run: Dynamic = RGBW <100%; Full Load = RGBW at 100%. \*\*For UL Class 2 calculations, GLLS uses a maximum output of 96 W / 96 VA for 24 V circuits, unless otherwise confirmed by the listed driver. All runs are assumed to be single-feed from one Class 2 output. Dual-feeding from separate drivers does not qualify as Class 2 unless the run is electrically split into isolated sections. \*\*\*Silicone products maintain ≤3 SDCM within a single production run and <5 SDCM between production runs.



# VIVID C12: SILICONE - 24V

Indoor & Outdoor Rated Linear Flex Profile - RGBW PWM



C

## POWER & VOLTAGE

COLOR	VOLTAGE + CIRCUIT TYPE	POWER CONSUMPTION
RGBW-27K	24V DC CV	2.74W/ft (9W/m)
RGBW-40K		

D

## CUTTING INSTRUCTIONS

COLOR	ORDER UNIT (CUTTING UNIT)
RGBW-27K	1.97in (50mm) (12 LEDs (6+6))
RGBW-40K	



# VIVID C12: SILICONE - 24V

Indoor & Outdoor Rated Linear Flex Profile - RGBW PWM



E

## COMPATIBLE CONNECTORS

### INPUT - 01

PROFILE	BENDING	WIRING	INPUT CONNECTOR TYPE	INPUT ORIENTATION + TYPE	INPUT CABLE LENGTH (LEAD WIRE)
---------	---------	--------	----------------------	--------------------------	--------------------------------

### OUTPUT - 02

PROFILE	BENDING	WIRING	OUTPUT CONNECTOR TYPE	OUTPUT ORIENTATION + TYPE	OUTPUT CABLE LENGTH (LEAD WIRE)
K = C12	1 = Side 2 = Top 4 = N/A (End Cap)	5 = 5 Wire (RGBW PWM) 0 = N/A (End Cap)	2 = Silicone Seamless	A = End Exit B = Bottom Exit C = Side Left Exit D = Side Right Exit E = End Jumper H = Power T-Feed I = End Cap	1 = 0.98ft (0.3m) 2 = 3.28ft (1m) 3 = 9.84ft (3m) 4 = 16ft (5m) 5 = 32.81ft (10m) 6 = 49.21ft (15m) 7 = 65.62ft (20m) 8 = N/A

## LEGACY CONNECTOR ORDER CODE

FA	12J	X	00	XX	SE	X	XX	XXX	X
PRODUCT TYPE	PROFILE	BENDING	LIGHT EMITTING	FUNCTIONALITY	CONNECTOR TYPE	FIXTURE END	EXIT TYPE	LENGTH	
FA = Factory Accessories	12J = C12	1 = Side 2 = Top	00 = 12J	2W = Static/DTW 3W = Tunable White 4W = RGB 5W = RGBW 0W = For End Cap	SE = Seamless	1 = Input Side 2 = Output Side 0 = Jumpers/T-feeds/ Seamless Bottom/ Seamless End	EN = End BO = Bottom SL = Side Left SR = Side Right EJ = End Jumper BJ = Bottom Jumper TF = Power Feed EC = End Cap	0M3 = 0.98ft (30cm) 01M = 3.28ft (1m) 03M = 9.84ft (3m) 05M = 16ft (5m) 10M = 32.81ft (10m) 000 = For End Cap	P = Power or For End Cap S = Signal & Power



# VIVID C12: SILICONE - 24V

Indoor & Outdoor Rated Linear Flex Profile - RGBW PWM



## E

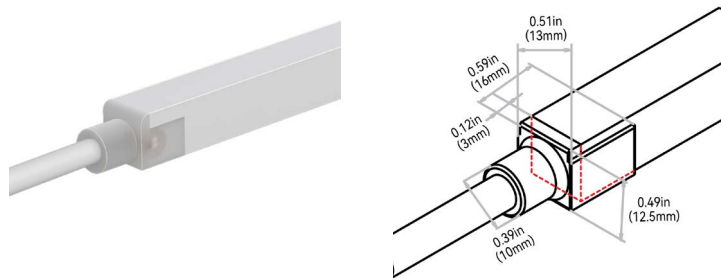
### SILICONE SEAMLESS CONNECTOR



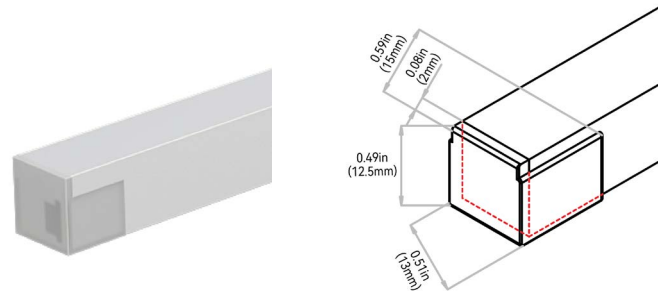
- NOTES:
1. Connector Tolerance  $\pm 0.02$ in (0.5mm)
  2. Cable diameter: Static, Tunable, RGB & RGBW Silicone = 0.26in (6.5mm)
  3. Do not apply force to the feed cable
  4. Ensure Max. Cable Lengths are followed according to wire gage to avoid voltage drop

IP68; seamless; precise low profile dimension; high grade quality silicone & anti-wicking ferrule. Recommended for; wet environments; custom predetermined lengths; high/ low temperatures; increased humidity; direct UV exposure; harsh working conditions & increased handling forces during installation. Precision milling and special glue Silicone liquid injection-moulded workmanship enables an almost consistent size between connectors and lightbody, and the transparent terminal of the connector allows the seamless effects spliced end by end. DryWire technology applied on the cable eliminates the capillary phenomenon through wires, which secured the long-term reliability in outdoor or any wet environments. Custom factory assembly.

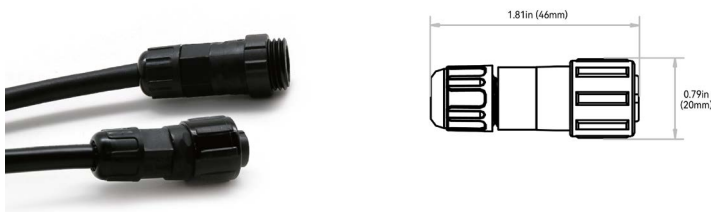
#### END EXIT: K#52A#



#### END CAP: K402I8

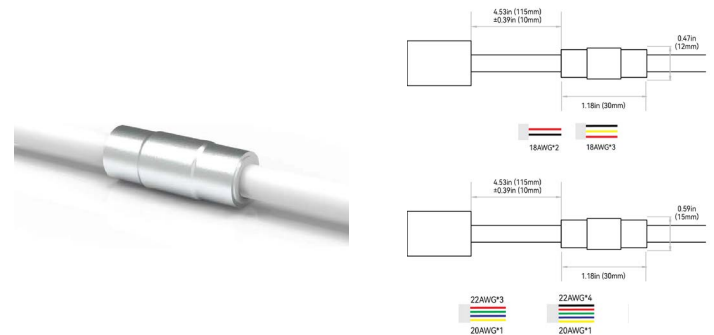


#### SCREW LOCK CONNECTOR ACCESSORY - IP67



NOTE: The tolerance is  $\pm 0.08$ in (2mm).

#### ANTI-WICKING FERRULE:



- NOTES:
1. The anti-wicking ferrule is located at 4.53in (115mm) ( $\pm 0.39$ in [ $\pm 10$ mm] tolerance) from the connector on the cable. For protection against water ingress.
  2. The removal of anti-wicking ferrule will void the warranty if any water ingress caused by it.

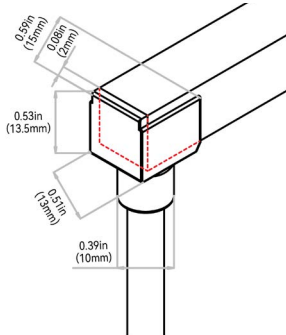


# VIVID C12: SILICONE - 24V

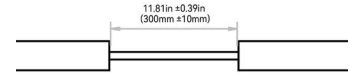
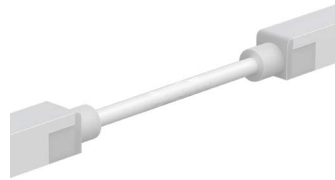
Indoor & Outdoor Rated Linear Flex Profile - RGBW PWM

## E

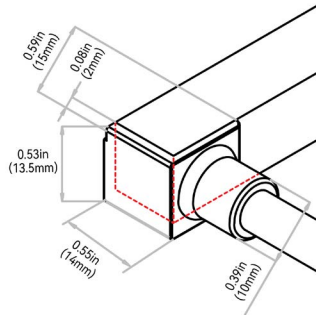
**BOTTOM EXIT: K#52B#**



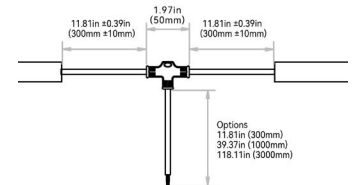
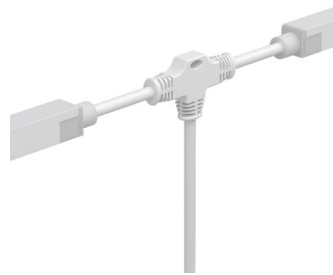
**END JUMPER: K#52E1**



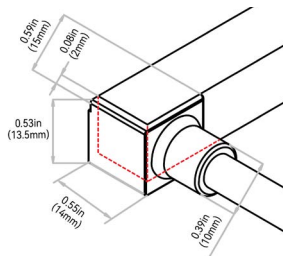
**SIDE LEFT EXIT: K#52C#**



**POWER T-FEED: K#52H#**



**SIDE RIGHT EXIT: K#52D#**



# VIVID C12: SILICONE - 24V

Indoor & Outdoor Rated Linear Flex Profile - RGBW PWM



## F

### MOUNTING PROFILES

MOUNTING PROFILE TYPE	STANDARD LENGTH	PROFILE	COLOR	BEND
A4 = Aluminum Silicone Grip	1 = 0.79in (20mm) 3 = 19.68in (500mm) 5 = 39.37in (1000mm) 6 = 78.74in (2000mm)	K = C12	1 = Standard	4 = Side
A5 = Aluminum Flexible	3 = 19.68in (500mm) 5 = 39.37in (1000mm)			1 = Side



# VIVID C12: SILICONE - 24V

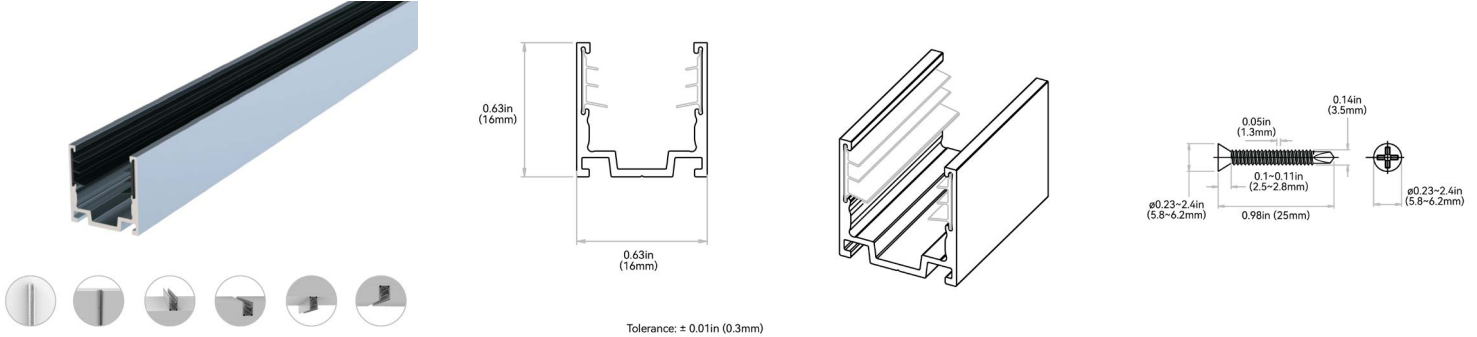
Indoor & Outdoor Rated Linear Flex Profile - RGBW PWM



F

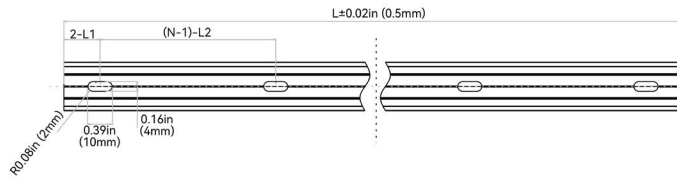
## ALUMINUM PROFILE - SILICONE GRIP

High-quality 6063 aluminum with thin-wall, light-weight design. Includes a serated silicone grip insert designed to hold fixture with additional force. Recommended on projects mounted upside down. It is deformation and rust resistant, and cost-effective. Please refer to install manual for proper installation practices.



Tolerance: ± 0.01in (0.3mm)

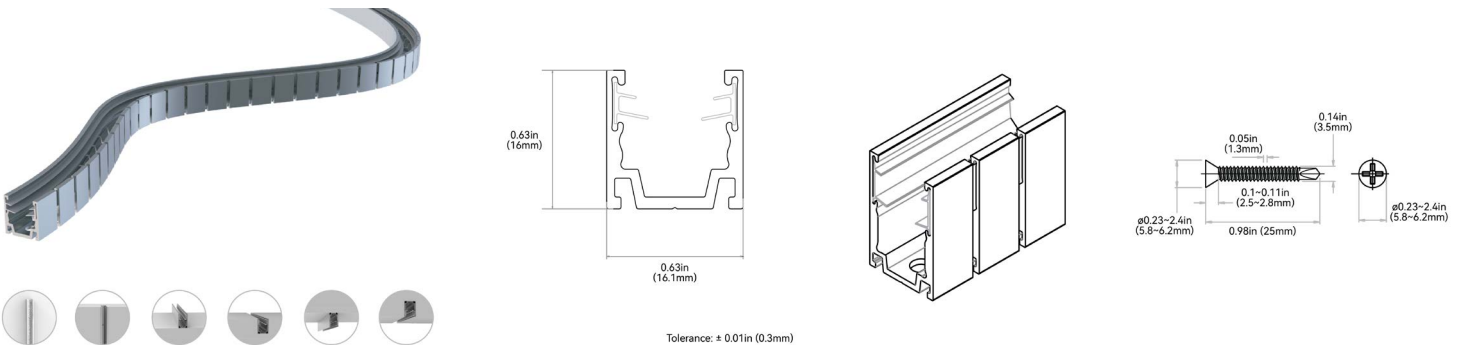
NOTES: 1. 2-L1 refers to two of symmetric L1 in each piece of profile.  
2. (N-1)-L2 refers to (N minus one) of symmetric L2 in each piece of profile.  
"N" hereby stands for its corresponding "Hole Number" in the below table



ORDER CODE	LEGACY ORDER CODE	STANDARD LENGTH	L1	L2	SLOTTED HOLE	HOLE #
A41K14	CL12RAL02CSE	0.79in (20mm)	0.39in (10mm)	N/A	0.16*0.39in (4*10mm)	1
A43K14	CH12RAL0M5SE	19.68in (500mm)	1.97in (50mm)	7.87in (200mm)	0.16*0.39in (4*10mm)	3
A45K14	CH12RAL01MSE	39.37in (1000mm)	3.93in (100mm)	7.87in (200mm)	0.16*0.39in (4*10mm)	5
A46K14	CH12RAL02MSE	78.74in (2000mm)	3.93in (100mm)	7.87in (200mm)	0.16*0.39in (4*10mm)	10

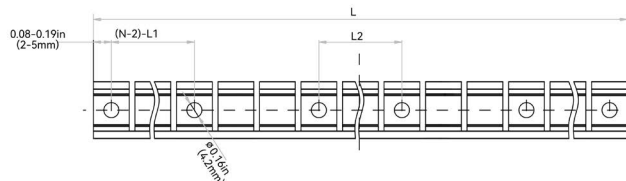
## ALUMINUM PROFILE - FLEXIBLE

It is an expanded design of the flexible aluminum profile, and caters for the continuously streamlined aesthetics of curve shape. The secondary precision cutting process, not only maintains the advantage of clamping force, but also enables the two-way side bending directions with super shape memory. Please refer to install manual for proper installation practices.



Tolerance: ± 0.01in (0.3mm)

NOTES: 1. 2-L1 refers to two of symmetric L1 in each piece of profile.  
2. (N-1)-L2 refers to (N minus one) of symmetric L2 in each piece of profile.  
"N" hereby stands for its corresponding "Hole Number" in the below table



ORDER CODE	LEGACY ORDER CODE	STANDARD LENGTH	L1	L2	SLOTTED HOLE	HOLE #
A53K11	CH12FAL0M5SE	19.68in (500mm)	4.34in (110.3mm)	1.92in (48.9mm)	Ø 0.17in (4.2mm)	6
A55K11	CH12FAL01MSE	39.37in (1000mm)	4.39in (111.4mm)	3.89in (98.8mm)	Ø 0.17in (4.2mm)	10



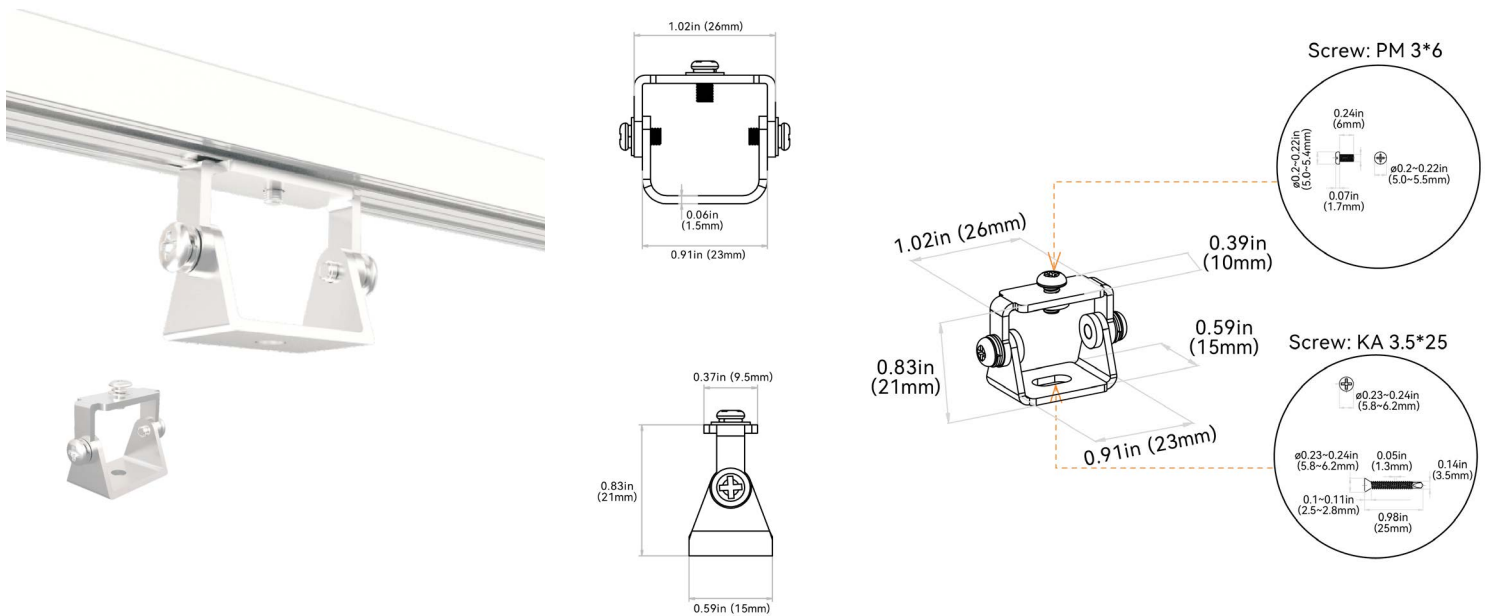
**G**

**MOUNTING ACCESSORIES**

MOUNTING ACCESSORY TYPE	PROFILE
MA1 = Pivot Bracket	O = All Profiles
MA2 = Rotary Bracket	
MA3 = Side Bracket	

**PIVOT BRACKET: MA10 | MA00PMB00000**

Applicable to all mounting profiles.



# VIVID C12: SILICONE - 24V

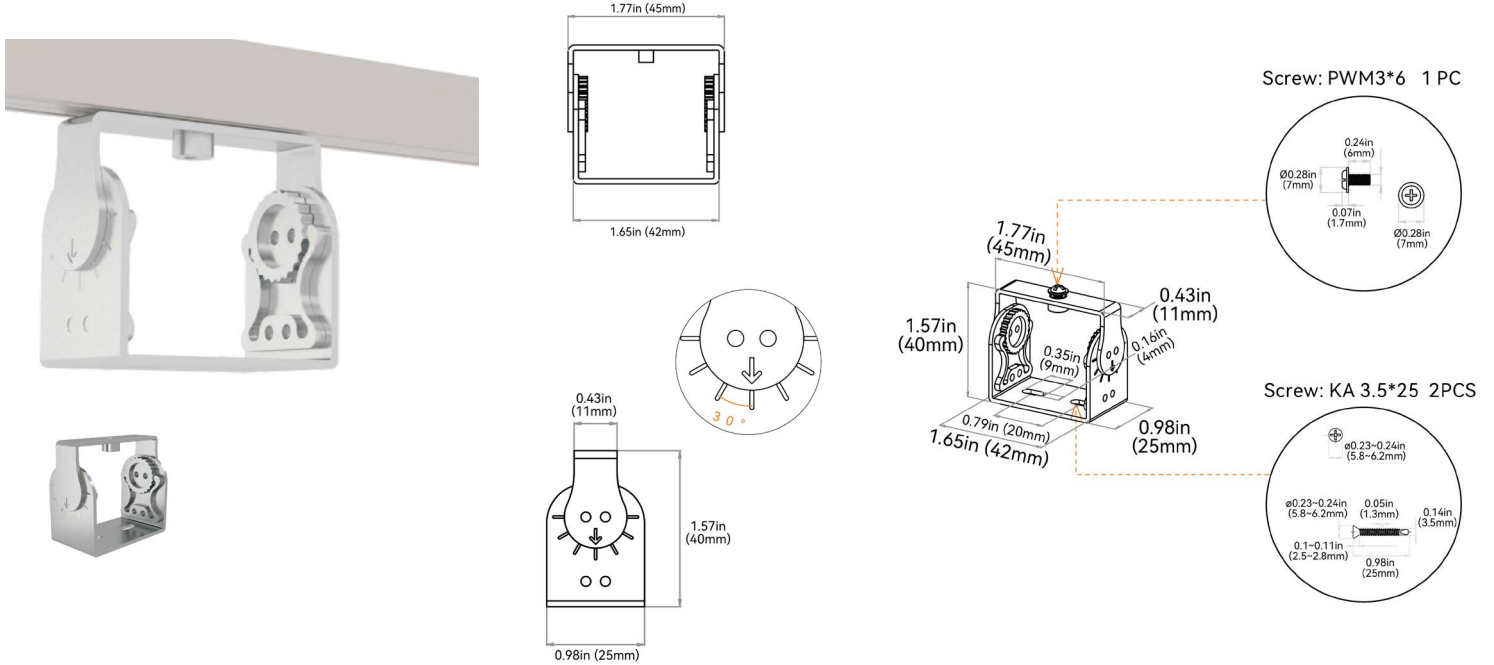
Indoor & Outdoor Rated Linear Flex Profile - RGBW PWM



## G

### ROTARY BRACKET: MA20 | MA00BRL00000

Applicable to all mounting profiles.



### SIDE MOUNTING BRACKET: MA30 | MA00SMB00000

Applicable to all mounting profiles.

