



## ARC PUCK - FLEX STRING 1 SPI

Outdoor Rated Profile - SPI-Pixel



### TEMPERATURES

**AMBIENT OPERATING TEMPERATURE:**  
-4°F to 122°F (-20°C to 50°C)

**FIXTURE STORAGE TEMPERATURE:**  
-40°F to 158°F (-40°C to 70°C)

### FEATURES

Material	Die-casting aluminum plus clear or frosted lens cover
Viewing Angle	120°~180° Depending on Lens Cover
Pixel Size	70~350mm (manufacture to order, dot to dot, pitch:70mm minimum)
LED Type	SMD LEDs
LED Count	1pcs
Power	0.5W/nos
Connection Type	Flexible cable
Color Rendering Index	Above 82 (can be 92 upon the customized request)
Controller	Driven by Pixel-Driver-1 (SPI to DMX)
Lumen Maintenance	50,000 Hours L70 @ 77°F (25°C)
Weight	0.12lbs (56g/nos.)

### CERTIFICATIONS & FEATURES

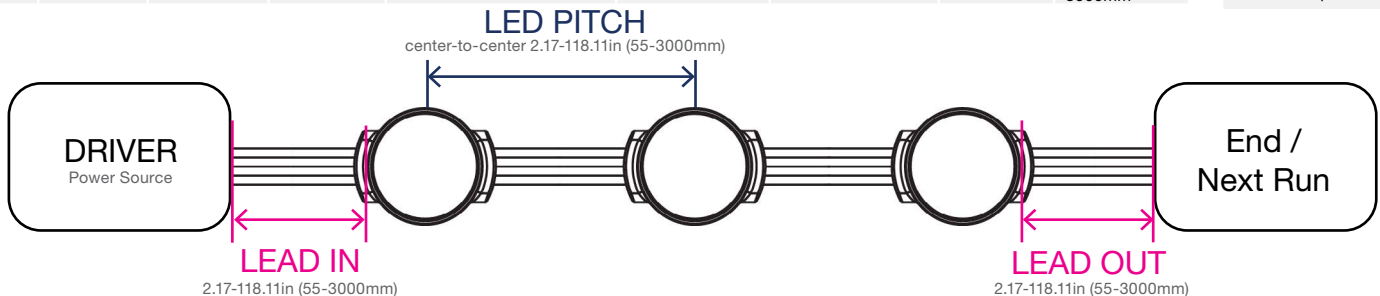


FIXTURE TYPE				OPTICS			ELECTRICAL		LEAD CABLES	
SERIES	PROFILE	HOUSING MATERIAL	HOUSING COLOR*	LENS COVER	LED FUNCTION	LED COLOR	VOLTAGE	LED PITCH (MM)**	LEAD IN (MM)***	LEAD OUT (MM)***
A = Arc	F1 = Flex String-1SPI	A = Die Cast Aluminum X = Custom	W = White B = Black G = Gray C = Custom RAL#	CF = Clear + Flat FA = Frosted + Flat-3mm FB = Frosted + Flat-5mm FC = Frosted + Flat-10mm FS = Frosted + Dome-Small FL = Frosted + Dome-Large XD = Crystal + Dome	SPI = SPI-Pixel SPW = SPI-Pixel- RGBW/A	AM = Amber 18K = 1800K 24K = 2400K 27K = 2700K 30K = 3000K 35K = 3500K 40K = 4000K 60K = 6000K T27 = 2700-6000K T30 = 3000-6000K RGB = RGB	12 = 12V DC	055 = 55mm 060 = 60mm 070 = 70mm 080 = 80mm 090 = 90mm 100 = 100mm 110 = 110mm 120 = 120mm 130 = 130mm 140 = 140mm 150 = 150mm ... XXXX = Up to 3000mm	Min = 55mm Max = 3000mm	Min = 55mm Max = 3000mm

### MOUNTING

#### TYPE

CPF1 = Clip Mount -Flex String-1SPI  
3M = 3M Tape



\*The housing color can be black, white or grey color and also can be custom RAL#. \*\*Pixel Size: 55~3000mm(manufacture to order, puck to puck, pitch: 55mm minimum).  
\*\*\*Connection Type: Flexible cable

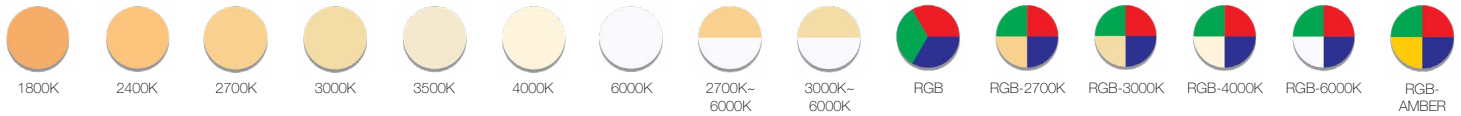
# ARC - FLEX STRING 1 SPI

Outdoor Rated Profile - SPI-Pixel



## OPTICS - LED COLORS

### LED COLORS



## ELECTRICAL

### FIXTURE SPECIFICATIONS & ELECTRICAL PARAMETERS

COLOR	LUMEN COUNT (CLEAR + FLAT LENS COVER)*
1800K	12lm
2400K	13lm
2700K	15lm
3000K	18lm
3500K	20lm
4000K	22lm
6000K	25lm
2700K ~ 6000K	22lm at 2 colors at 100% drive current
3000K ~ 6000K	22lm at 2 colors at 100% drive current
RGB	12lm at RGB at 100% drive current
R,G,B,2700K	12lm at all four LEDs (R,G,B,W) at 100% drive current
R,G,B,3000K	12lm at all four LEDs (R,G,B,W) at 100% drive current
R,G,B,4000K	12lm at all four LEDs (R,G,B,W) at 100% drive current
R,G,B,6000K	12lm at all four LEDs (R,G,B,W) at 100% drive current
R,G,B,AMBER	12lm at all four LEDs (R,G,B,Amber) at 100% drive current

\*Frosted lens cover lumen count to be reduced by ~20-25%



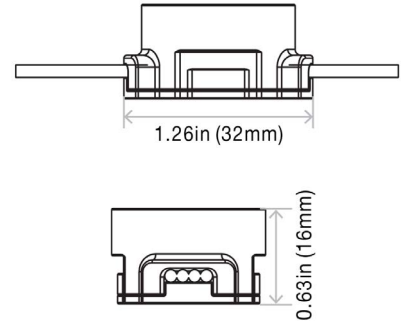
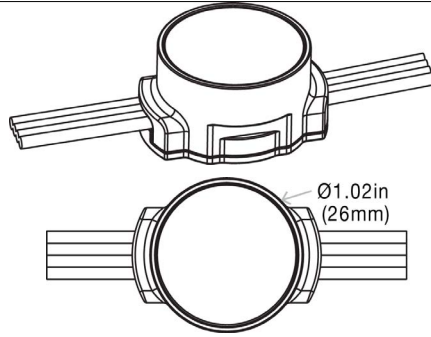
# ARC - FLEX STRING 1 SPI

Outdoor Rated Profile - SPI-Pixel

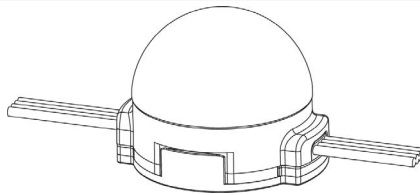


## OPTICS - LENS COVERS

### CLEAR FLAT LENS COVER DIMENSIONS



### FROSTED DOME-SMALL LENS COVER DIMENSIONS



### FROSTED DOME-LARGE LENS COVER DIMENSIONS



### FROSTED FLAT 5MM LENS COVER DIMENSIONS



### CRYSTAL DOME LENS COVER DIMENSIONS



### FROSTED FLAT 3MM LENS COVER



### FROSTED FLAT 10MM LENS COVER



# ARC - FLEX STRING 1 SPI

Outdoor Rated Profile - SPI-Pixel



## MOUNTING

### CLIP MOUNT - FLEX STRING 1 DIMENSIONS: CPF1

