

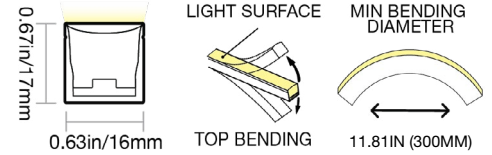
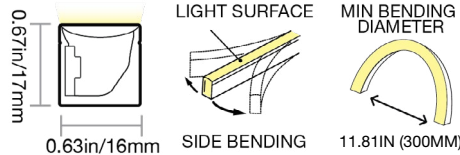


AQUA NEON WAVE: SILICONE - 24V

Submersible Pool Rated Linear Flex Profile - Static Whites & Colors



PROFILE CAPABILITIES



TEMPERATURES

AMBIENT OPERATING TEMPERATURE:
 Above Water 6W/m: -40°F to 149°F (-40°C to 65°C)
 Above Water ≤8W/m: -40°F to 140°F (-40°C to 60°C)
 Above Water 12W/m: -40°F to 131°F (-40°C to 55°C)
 Above Water 15W/m: -40°F to 122°F (-40°C to 50°C)
 Underwater ≤16.5W/m: -40°F to 95°F (-40°C to 35°C)

FIXTURE STORAGE TEMPERATURE:
 -40°F to 140°F (-40°C to 60°C)

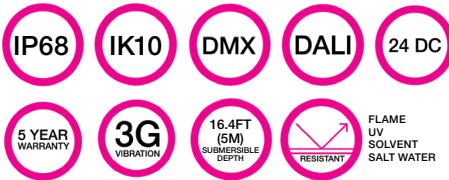
MAX MOUNTING SURFACE TEMPERATURE:
 185°F (85°C)

HUMIDITY (NON-CONDENSING):
 0-95%

THERMAL MANAGEMENT:
 Free Air Convection

AMBIENT INSTALLATION TEMPERATURE:
 ≥ -40°F (-40°C)

CERTIFICATIONS & FEATURES*



FIXTURE ORDER CODE

E		A				B			
INPUT CONNECTORS	SERIES	MATERIAL	PROFILE	BENDING	JACKET/BASE + LENS COLOR	LED FUNCTION	LED COLOR	CHIP + CRI	
See Page 10 to select input connector	A = Aqua Neon	1 = Silicone	F = Wave	1 = Side 2 = Top	W = White + Diffused	1 = Static	A = Amber B = Blue C = Green E = Red H = 2200K I = 2500K J = 2700K L = 3000K M = 3500K N = 4000K O = 4500K P = 5000K Q = 5700K	1 = Epistar SMD LED Chip Colors 2 = Epistar SMD LED Chip + CRI80 22, 27, 30, 35, 40 + 57K 40 + 57K 3 = Epistar SMD LED Chip + CRI90 27, 30, 35 + 40K 4 = Epistar SMD LED Chip + CRI95 30K 6 = Nichia SMD LED Chip + CRI80 25, 27, 30, 35, 40, 45, 50 + 57K	
C		D	E		F				
POWER	VOLTAGE + CIRCUIT TYPE**	ORDER UNIT LENGTH	OUTPUT CONNECTOR		MOUNTING PROFILE	POWER SUPPLIES & CONTROLS:			
C = 1.82W/ft (6W/m) Epistar + CRI80 22, 27, 30, 35, 40 + 57K D = 2.43W/ft (8W/m) Amber + Red E = 2.74W/ft (9W/m) Epistar + CRI80 22, 27, 30, 35, 40 + 57K G = 3.66W/ft (12W/m) Blue + Green All Whites. I = 4.57W/ft (15W/m) Epistar + CRI80 22, 27, 30, 35, 40 + 57K	2C = 24V DC CR	D = 2.19in (55.6mm) Blue Green Whites F = 3.28in (83.3mm) Amber Red	See Page 10 to select output connector		See Page 13 to select mounting profile	By Others By GLLS			

*Maximum IP and IK ratings achievable with appropriate accessories, and cable diameter: silicone static = 0.26in (6.5mm). **The Current Regulated (CR) Integrated Circuit extends max run length. Do not use a CC or CR power supply, as it may cause damage.

AQUA NEON WAVE: SILICONE - 24V

Submersible Pool Rated Linear Flex Profile - Static Whites & Colors



A

MECHANICAL

ASSEMBLY

Fixtures are carefully assembled using high-quality components to ensure durability and performance. Each unit is built to meet strict specifications, with attention to electrical safety, thermal management, and optical alignment.

OVERALL & CUTTING LENGTHS

Fixtures feature defined overall lengths and specific cutting increments for easy customization. Cutting must be done at marked points to maintain proper function and consistent light output.

JACKET COLOR

The white jacket with diffused white lens covers provide a clean, uniform appearance while softening light output for reduced glare. It enhances visual comfort and delivers smooth, even illumination ideal for architectural and display applications.

BENDING RADIUS

Do not bend smaller than allowed minimum bend diameter, or may cause damage to the light & void warranty.

OPERATION

LIGHT ENGINE

Static Pulse Width Modulation (PWM) light engines deliver stable, flicker-free light at a fixed brightness. They offer consistent color and reliable performance for long-term applications.

ELECTRICAL

Designed to meet UL, CE, and RoHS standards, they feature overload, overvoltage, and short-circuit protection, along with low EMI and efficient thermal management for safe, reliable operation.

DIMMING

Dimming of 24V PWM fixtures is achieved via the driver or decoder used in the system. Depending on the selected driver/decoder, control options can include 0-10V, DMX, or DALI, enabling smooth, flicker-free dimming while maintaining consistent color and performance. Note: DMX and DALI are supported at the system level, not natively by the fixture.

GENERAL

WARRANTY

Limited 5-Year Warranty against defects in materials and manufacturing. Coverage applies to properly installed and maintained products. Damage from misuse or improper installation is not covered. G.L.L.S. may repair, replace, or issue credit for eligible claims.

LUMEN MAINTENANCE

G.L.L.S. static lighting fixtures are tested to IES LM-84 and projected with IES TM-28 to ensure consistent lumen maintenance. Fixtures are designed to retain at least 70% of their initial brightness (L70) over a 10-year lifespan when properly installed and operated.

CERTIFICATION

Tested to UL2108 Class 2 by Underwriters Laboratory for use in the USA and Canada. Exceeds ANSI C78.377A, ANSI C136.31, CE, and RoHS standards. Must be used under Class 2 ratings to maintain certification.

UL Certificate #: E347880

Report Reference #: E347880-20130503

TESTING

OPTICAL TESTING

TEST	RESULTS
Spectrum Analysis	IES LM 79 (Lumen, CCT, CRI, XY, SDCM, Wavelength)
Photometric Distribution	IES LM 79
Lumen Maintenance & Lifetime	IES LM 84 & IES TM28

TEMPERATURE TESTING

TEST	RESULTS
Normal Temperature Test	UL1598 & UL2388 & IEC60598-1 & IEC60598-2-21
Abnormal Operation Test	UL1598 & UL2388 & IEC60598-1 & IEC60598-2-21

ENVIRONMENTAL TESTING

TEST	RESULTS
Salt Water Immersion	IEC60598-1, Saltinity 4%
Salt Spray Test	IEC60068-2-11
Outdoor Exposure	Manufacturer-defined
Flame Resistance	UL94
UV Exposure	ASTMG 154, ISO 4892-3, UVA @ 340nm & 55
IPX8	EN 60598-1: 2015+A1:2018 Clause 9.2.2 & 9.2.8
Temperature Shock(Silicone)	Manufacturer-defined, -40°C - 60°C (typical temperature range)
Constant Temperature	Manufacturer-defined
12mm Needle Flame Test (Silicone)	IEC60695-11-5
650 Glow-wire Test (Silicone)	IEC60695-2-10

DURABILITY TESTING

TEST	RESULTS
Bending Test	Manufacturer-defined, 500 cycles
Tensile Test	Manufacturer-defined, > The weight of light in max.
Twist Test	Manufacturer-defined, >200 cycles
Ball Impact	UL1598 & UL2388 & IEC60598-1 & IEC60598-2-21
IK	IEC62262



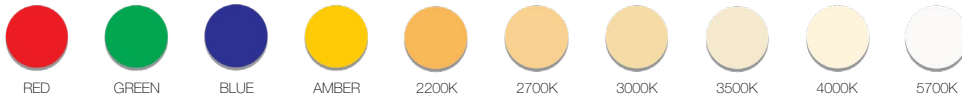
AQUA NEON WAVE: SILICONE - 24V

Submersible Pool Rated Linear Flex Profile - Static Whites & Colors



B

LED COLORS



FIXTURE SPECIFICATIONS & OPTICAL PARAMETERS - WHITE JACKET + DIFFUSED LENS - SIDE BEND - 8W/M + 12W/M

COLOR	LED COUNT	1 CONNECTOR FULL/DYNAMIC*	2 CONNECTORS FULL/DYNAMIC**	UL CLASS 2 MAX RUN***	FIXTURE COLOR TOLERANCE****	WAVELENGTH/CCT	LED CRI	LED COLOR TOLERANCE	LUMEN COUNT	LEGACY ORDER CODE
RED	33 LEDs/ft (108 LEDs/m)	31.5ft (9.6m) / N/A	N/A / N/A	40ft (12m)	N/A	618-624nm	N/A	N/A	50lm/ft (165lm/m)	SF16E1012WERED24PO
GREEN	33 LEDs/ft (108 LEDs/m)	21.0ft (6.4m) / N/A	N/A / N/A	26ft (8m)	N/A	522-528nm	N/A	N/A	137lm/ft (450lm/m)	SF16E1012WEGRE24PO
BLUE	33 LEDs/ft (108 LEDs/m)	21.0ft (6.4m) / N/A	N/A / N/A	26ft (8m)	N/A	468-474nm	N/A	N/A	34lm/ft (110lm/m)	SF16E1012WEBLU24PO
AMBER	33 LEDs/ft (108 LEDs/m)	31.5ft (9.6m) / N/A	N/A / N/A	40ft (12m)	N/A	588-594nm	N/A	N/A	50lm/ft (165lm/m)	SF16E1012WEAMB24PO
2200K	33 LEDs/ft (108 LEDs/m)	21.0ft (6.4m) / N/A	N/A / N/A	26ft (8m)	3 SDCM	2238 ± 102K	N/A	N/A	116lm/ft (380lm/m)	SF16E1012WE22K24PO
2700K	33 LEDs/ft (108 LEDs/m)	21.0ft (6.4m) / N/A	N/A / N/A	26ft (8m)	3 SDCM	2725 ± 145K	N/A	N/A	143lm/ft (470lm/m)	SF16E1012WE27K24PO
2700K	33 LEDs/ft (108 LEDs/m)	21.0ft (6.4m) / N/A	N/A / N/A	26ft (8m)	3 SDCM	2725 ± 145K	N/A	N/A	128lm/ft (420lm/m)	SF16E1012WE27R24PO
3000K	33 LEDs/ft (108 LEDs/m)	21.0ft (6.4m) / N/A	N/A / N/A	26ft (8m)	3 SDCM	3045 ± 175K	N/A	N/A	143lm/ft (470lm/m)	SF16E1012WE30K24PO
3000K	33 LEDs/ft (108 LEDs/m)	21.0ft (6.4m) / N/A	N/A / N/A	26ft (8m)	3 SDCM	3045 ± 175K	N/A	N/A	128lm/ft (420lm/m)	SF16E1012WE30R24PO
3000K	33 LEDs/ft (108 LEDs/m)	21.0ft (6.4m) / N/A	N/A / N/A	26ft (8m)	3 SDCM	3045 ± 175K	N/A	N/A	110lm/ft (360lm/m)	SF16E1012WE30R524PO
3500K	33 LEDs/ft (108 LEDs/m)	21.0ft (6.4m) / N/A	N/A / N/A	26ft (8m)	3 SDCM	3465 ± 245K	N/A	N/A	146lm/ft (480lm/m)	SF16E1012WE35K24PO
3500K	33 LEDs/ft (108 LEDs/m)	21.0ft (6.4m) / N/A	N/A / N/A	26ft (8m)	3 SDCM	3465 ± 245K	N/A	N/A	131lm/ft (430lm/m)	SF16E1012WE35R24PO
4000K	33 LEDs/ft (108 LEDs/m)	21.0ft (6.4m) / N/A	N/A / N/A	26ft (8m)	3 SDCM	3985 ± 275K	N/A	N/A	146lm/ft (480lm/m)	SF16E1012WE40K24PO
4000K	33 LEDs/ft (108 LEDs/m)	21.0ft (6.4m) / N/A	N/A / N/A	26ft (8m)	3 SDCM	3985 ± 275K	N/A	N/A	131lm/ft (430lm/m)	SF16E1012WE40R24PO
5700K	33 LEDs/ft (108 LEDs/m)	21.0ft (6.4m) / N/A	N/A / N/A	26ft (8m)	3 SDCM	5669 ± 355K	N/A	N/A	146lm/ft (480lm/m)	SF16E1012WE57K24PO

*Run length is based on a static full load. **As per CLASS 2 power supply standards, the maximum allowable fixture power is limited to a single 100W supply. Double Feeding is Prohibited. ***For UL Class 2 calculations, GLLS uses a maximum output of 96 W / 96 VA for 24 V circuits, unless otherwise confirmed by the listed driver. All runs are assumed to be single-feed from one Class 2 output. Dual-feeding from separate drivers does not qualify as Class 2 unless the run is electrically split into isolated sections. ****Silicone products maintain ≤3 SDCM within a single production run and <5 SDCM between production runs.



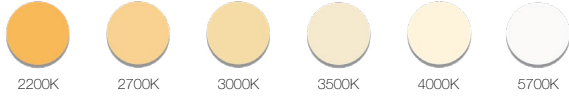
AQUA NEON WAVE: SILICONE - 24V

Submersible Pool Rated Linear Flex Profile - Static Whites & Colors



B

LED COLORS



FIXTURE SPECIFICATIONS & OPTICAL PARAMETERS - WHITE JACKET + DIFFUSED LENS - SIDE BEND - 6W/M

COLOR	LED COUNT	1 CONNECTOR FULL/DYNAMIC*	2 CONNECTORS FULL/DYNAMIC**	UL CLASS 2 MAX RUN***	FIXTURE COLOR TOLERANCE****	WAVELENGTH/ CCT	LED CRI	LED COLOR TOLERANCE	LUMEN COUNT	LEGACY ORDER CODE
2200K	33 LEDs/ft (108 LEDs/m)	42ft (12.8m) / N/A	N/A / N/A	53ft (6m)	3 SDCM	2238 ± 102K	N/A	N/A	58lm/ft (190lm/m)	SF16E1012WE22K24DC6P
2700K	33 LEDs/ft (108 LEDs/m)	42ft (12.8m) / N/A	N/A / N/A	53ft (6m)	3 SDCM	2725 ± 145K	N/A	N/A	72lm/ft (235lm/m)	SF16E1012WE27K24DC6P
3000K	33 LEDs/ft (108 LEDs/m)	42ft (12.8m) / N/A	N/A / N/A	53ft (6m)	3 SDCM	3045 ± 175K	N/A	N/A	72lm/ft (235lm/m)	SF16E1012WE30K24DC6P
3500K	33 LEDs/ft (108 LEDs/m)	42ft (12.8m) / N/A	N/A / N/A	53ft (6m)	3 SDCM	3465 ± 245K	N/A	N/A	73lm/ft (240lm/m)	SF16E1012WE35K24DC6P
4000K	33 LEDs/ft (108 LEDs/m)	42ft (12.8m) / N/A	N/A / N/A	53ft (6m)	3 SDCM	3985 ± 275K	N/A	N/A	73lm/ft (240lm/m)	SF16E1012WE40K24DC6P
5700K	33 LEDs/ft (108 LEDs/m)	42ft (12.8m) / N/A	N/A / N/A	53ft (6m)	3 SDCM	5669 ± 355K	N/A	N/A	73lm/ft (240lm/m)	SF16E1012WE57K24DC6P

FIXTURE SPECIFICATIONS & OPTICAL PARAMETERS - WHITE JACKET + DIFFUSED LENS - SIDE BEND - 9W/M

COLOR	LED COUNT	1 CONNECTOR FULL/DYNAMIC*	2 CONNECTORS FULL/DYNAMIC**	UL CLASS 2 MAX RUN***	FIXTURE COLOR TOLERANCE****	WAVELENGTH/ CCT	LED CRI	LED COLOR TOLERANCE	LUMEN COUNT	LEGACY ORDER CODE
2200K	33 LEDs/ft (108 LEDs/m)	28ft (8.53m) / N/A	N/A / N/A	53ft (6m)	3 SDCM	2238 ± 102K	N/A	N/A	87lm/ft (285lm/m)	SF16E1012WE22K24DC9P
2700K	33 LEDs/ft (108 LEDs/m)	28ft (8.53m) / N/A	N/A / N/A	53ft (6m)	3 SDCM	2725 ± 145K	N/A	N/A	107lm/ft (350lm/m)	SF16E1012WE27K24DC9P
3000K	33 LEDs/ft (108 LEDs/m)	28ft (8.53m) / N/A	N/A / N/A	53ft (6m)	3 SDCM	3045 ± 175K	N/A	N/A	107lm/ft (350lm/m)	SF16E1012WE30K24DC9P
3500K	33 LEDs/ft (108 LEDs/m)	28ft (8.53m) / N/A	N/A / N/A	53ft (6m)	3 SDCM	3465 ± 245K	N/A	N/A	110lm/ft (360lm/m)	SF16E1012WE35K24DC9P
4000K	33 LEDs/ft (108 LEDs/m)	28ft (8.53m) / N/A	N/A / N/A	53ft (6m)	3 SDCM	3985 ± 275K	N/A	N/A	110lm/ft (360lm/m)	SF16E1012WE40K24DC9P
5700K	33 LEDs/ft (108 LEDs/m)	28ft (8.53m) / N/A	N/A / N/A	53ft (6m)	3 SDCM	5669 ± 355K	N/A	N/A	110lm/ft (360lm/m)	SF16E1012WE57K24DC9P

*Run length is based on a static full load. **As per CLASS 2 power supply standards, the maximum allowable fixture power is limited to a single 100W supply. Double Feeding is Prohibited. ***For UL Class 2 calculations, GLLS uses a maximum output of 96 W / 96 VA for 24 V circuits, unless otherwise confirmed by the listed driver. All runs are assumed to be single-feed from one Class 2 output. Dual-feeding from separate drivers does not qualify as Class 2 unless the run is electrically split into isolated sections. ****Silicone products maintain ≤3 SDCM within a single production run and <5 SDCM between production runs.



AQUA NEON WAVE: SILICONE - 24V

Submersible Pool Rated Linear Flex Profile - Static Whites & Colors



B

LED COLORS



FIXTURE SPECIFICATIONS & OPTICAL PARAMETERS - WHITE JACKET + DIFFUSED LENS - SIDE BEND - 12W/M

COLOR	LED COUNT	1 CONNECTOR FULL/DYNAMIC*	2 CONNECTORS FULL/DYNAMIC**	UL CLASS 2 MAX RUN***	FIXTURE COLOR TOLERANCE****	WAVELENGTH/ CCT	LED CRI	LED COLOR TOLERANCE	LUMEN COUNT	LEGACY ORDER CODE
2500K	33 LEDs/ft (108 LEDs/m)	21.0ft (6.4m) / N/A	N/A / N/A	26ft (8m)	3 SDCM	2460 ± 120K	N/A	N/A	113lm/ft (370lm/m)	SF16E1012WN25K24PO
2700K	33 LEDs/ft (108 LEDs/m)	21.0ft (6.4m) / N/A	N/A / N/A	26ft (8m)	3 SDCM	2725 ± 145K	N/A	N/A	122lm/ft (400lm/m)	SF16E1012WN27K24PO
3000K	33 LEDs/ft (108 LEDs/m)	21.0ft (6.4m) / N/A	N/A / N/A	26ft (8m)	3 SDCM	3045 ± 175K	N/A	N/A	122lm/ft (400lm/m)	SF16E1012WN30K24PO
3500K	33 LEDs/ft (108 LEDs/m)	21.0ft (6.4m) / N/A	N/A / N/A	26ft (8m)	3 SDCM	3465 ± 245K	N/A	N/A	122lm/ft (400lm/m)	SF16E1012WN35K24PO
4000K	33 LEDs/ft (108 LEDs/m)	21.0ft (6.4m) / N/A	N/A / N/A	26ft (8m)	3 SDCM	3985 ± 275K	N/A	N/A	122lm/ft (400lm/m)	SF16E1012WN40K24PO
4500K	33 LEDs/ft (108 LEDs/m)	21.0ft (6.4m) / N/A	N/A / N/A	26ft (8m)	3 SDCM	4503 ± 243K	N/A	N/A	122lm/ft (400lm/m)	SF16E1012WN45K24PO
5000K	33 LEDs/ft (108 LEDs/m)	21.0ft (6.4m) / N/A	N/A / N/A	26ft (8m)	3 SDCM	5029 ± 283K	N/A	N/A	122lm/ft (400lm/m)	SF16E1012WN50K24PO
5700K	33 LEDs/ft (108 LEDs/m)	21.0ft (6.4m) / N/A	N/A / N/A	26ft (8m)	3 SDCM	5669 ± 355K	N/A	N/A	122lm/ft (400lm/m)	SF16E1012WN57K24PO

FIXTURE SPECIFICATIONS & OPTICAL PARAMETERS - WHITE JACKET + DIFFUSED LENS - SIDE BEND - 15W/M

COLOR	LED COUNT	1 CONNECTOR FULL/DYNAMIC*	2 CONNECTORS FULL/DYNAMIC**	UL CLASS 2 MAX RUN***	FIXTURE COLOR TOLERANCE****	WAVELENGTH/ CCT	LED CRI	LED COLOR TOLERANCE	LUMEN COUNT	LEGACY ORDER CODE
2200K	33 LEDs/ft (108 LEDs/m)	16.8ft (5.12m) / N/A	N/A / N/A	21ft (8m)	3 SDCM	2238 ± 102K	N/A	N/A	152lm/ft (500lm/m)	SH16E1012WE22K24DCPO
2700K	33 LEDs/ft (108 LEDs/m)	16.8ft (5.12m) / N/A	N/A / N/A	21ft (8m)	3 SDCM	2725 ± 145K	N/A	N/A	183lm/ft (600lm/m)	SH16E1012WE27K24DCPO
3000K	33 LEDs/ft (108 LEDs/m)	16.8ft (5.12m) / N/A	N/A / N/A	21ft (8m)	3 SDCM	3045 ± 175K	N/A	N/A	183lm/ft (600lm/m)	SH16E1012WE30K24DCPO
3500K	33 LEDs/ft (108 LEDs/m)	16.8ft (5.12m) / N/A	N/A / N/A	21ft (8m)	3 SDCM	3465 ± 245K	N/A	N/A	213.4lm/ft (700lm/m)	SH16E1012WE35K24DCPO
4000K	33 LEDs/ft (108 LEDs/m)	16.8ft (5.12m) / N/A	N/A / N/A	21ft (8m)	3 SDCM	3985 ± 275K	N/A	N/A	213.4lm/ft (700lm/m)	SH16E1012WE40K24DCPO
5700K	33 LEDs/ft (108 LEDs/m)	16.8ft (5.12m) / N/A	N/A / N/A	21ft (8m)	3 SDCM	5669 ± 355K	N/A	N/A	213.4lm/ft (700lm/m)	SH16E1012WE57K24DCPO

*Run length is based on a static full load. **As per CLASS 2 power supply standards, the maximum allowable fixture power is limited to a single 100W supply. Double Feeding is Prohibited. ***For UL Class 2 calculations, G.L.L.S. uses a maximum output of 96 W / 96 VA for 24 V circuits, unless otherwise confirmed by the listed driver. All runs are assumed to be single-feed from one Class 2 output. Dual-feeding from separate drivers does not qualify as Class 2 unless the run is electrically split into isolated sections. ****Silicone products maintain ≤3 SDCM within a single production run and <5 SDCM between production runs.



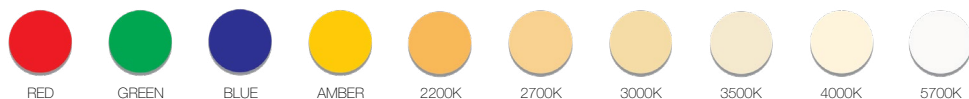
AQUA NEON WAVE: SILICONE - 24V

Submersible Pool Rated Linear Flex Profile - Static Whites & Colors



B

LED COLORS



FIXTURE SPECIFICATIONS & OPTICAL PARAMETERS - WHITE JACKET + DIFFUSED LENS - TOP BEND - 8W/M + 12W/M

COLOR	LED COUNT	1 CONNECTOR FULL/DYNAMIC*	2 CONNECTORS FULL/DYNAMIC**	UL CLASS 2 MAX RUN***	FIXTURE COLOR TOLERANCE****	WAVELENGTH/ CCT	LED CRI	LED COLOR TOLERANCE	LUMEN COUNT	LEGACY ORDER CODE
RED	33 LEDs/ft (108 LEDs/m)	31.5ft (9.6m) / N/A	N/A / N/A	40ft (12m)	N/A	618-624nm	N/A	N/A	56lm/ft (185lm/m)	SF16E0012WERED24PO
GREEN	33 LEDs/ft (108 LEDs/m)	21.0ft (6.4m) / N/A	N/A / N/A	26ft (8m)	N/A	522-528nm	N/A	N/A	168lm/ft (550lm/m)	SF16E0012WEGRE24PO
BLUE	33 LEDs/ft (108 LEDs/m)	21.0ft (6.4m) / N/A	N/A / N/A	26ft (8m)	N/A	468-474nm	N/A	N/A	37lm/ft (120lm/m)	SF16E0012WEBLU24PO
AMBER	33 LEDs/ft (108 LEDs/m)	31.5ft (9.6m) / N/A	N/A / N/A	40ft (12m)	N/A	588-594nm	N/A	N/A	56lm/ft (185lm/m)	SF16E0012WEAMB24PO
2200K	33 LEDs/ft (108 LEDs/m)	21.0ft (6.4m) / N/A	N/A / N/A	26ft (8m)	3 SDCM	2238 ± 102K	N/A	N/A	137lm/ft (450lm/m)	SF16E0012WE22K24PO
2700K	33 LEDs/ft (108 LEDs/m)	21.0ft (6.4m) / N/A	N/A / N/A	26ft (8m)	3 SDCM	2725 ± 145K	N/A	N/A	172lm/ft (565lm/m)	SF16E0012WE27K24PO
2700K	33 LEDs/ft (108 LEDs/m)	21.0ft (6.4m) / N/A	N/A / N/A	26ft (8m)	3 SDCM	2725 ± 145K	N/A	N/A	146lm/ft (480lm/m)	SF16E0012WE27R24PO
3000K	33 LEDs/ft (108 LEDs/m)	21.0ft (6.4m) / N/A	N/A / N/A	26ft (8m)	3 SDCM	3045 ± 175K	N/A	N/A	172lm/ft (565lm/m)	SF16E0012WE30K24PO
3000K	33 LEDs/ft (108 LEDs/m)	21.0ft (6.4m) / N/A	N/A / N/A	26ft (8m)	3 SDCM	3045 ± 175K	N/A	N/A	146lm/ft (480lm/m)	SF16E0012WE30R24PO
3000K	33 LEDs/ft (108 LEDs/m)	21.0ft (6.4m) / N/A	N/A / N/A	26ft (8m)	3 SDCM	3045 ± 175K	N/A	N/A	122lm/ft (400lm/m)	SF16E0012WE30R524PO
3500K	33 LEDs/ft (108 LEDs/m)	21.0ft (6.4m) / N/A	N/A / N/A	26ft (8m)	3 SDCM	3465 ± 245K	N/A	N/A	177lm/ft (580lm/m)	SF16E0012WE35K24PO
3500K	33 LEDs/ft (108 LEDs/m)	21.0ft (6.4m) / N/A	N/A / N/A	26ft (8m)	3 SDCM	3465 ± 245K	N/A	N/A	152lm/ft (500lm/m)	SF16E0012WE35R24PO
4000K	33 LEDs/ft (108 LEDs/m)	21.0ft (6.4m) / N/A	N/A / N/A	26ft (8m)	3 SDCM	3985 ± 275K	N/A	N/A	177lm/ft (580lm/m)	SF16E0012WE40K24PO
4000K	33 LEDs/ft (108 LEDs/m)	21.0ft (6.4m) / N/A	N/A / N/A	26ft (8m)	3 SDCM	3985 ± 275K	N/A	N/A	152lm/ft (500lm/m)	SF16E0012WE40R24PO
5700K	33 LEDs/ft (108 LEDs/m)	21.0ft (6.4m) / N/A	N/A / N/A	26ft (8m)	3 SDCM	5669 ± 355K	N/A	N/A	177lm/ft (580lm/m)	SF16E0012WE57K24PO

*Run length is based on a static full load. **As per CLASS 2 power supply standards, the maximum allowable fixture power is limited to a single 100W supply. Double Feeding is Prohibited. ***For UL Class 2 calculations, G.L.L.S. uses a maximum output of 96 W / 96 VA for 24 V circuits, unless otherwise confirmed by the listed driver. All runs are assumed to be single-feed from one Class 2 output. Dual-feeding from separate drivers does not qualify as Class 2 unless the run is electrically split into isolated sections. ****Silicone products maintain ≤3 SDCM within a single production run and <5 SDCM between production runs.



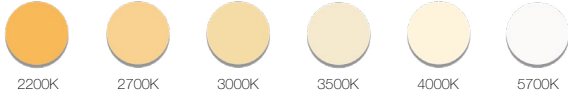
AQUA NEON WAVE: SILICONE - 24V

Submersible Pool Rated Linear Flex Profile - Static Whites & Colors



B

LED COLORS



FIXTURE SPECIFICATIONS & OPTICAL PARAMETERS - WHITE JACKET + DIFFUSED LENS - TOP BEND - 6W/M

COLOR	LED COUNT	1 CONNECTOR FULL/DYNAMIC*	2 CONNECTORS FULL/DYNAMIC**	UL CLASS 2 MAX RUN***	FIXTURE COLOR TOLERANCE****	WAVELENGTH/ CCT	LED CRI	LED COLOR TOLERANCE	LUMEN COUNT	LEGACY ORDER CODE
2200K	33 LEDs/ft (108 LEDs/m)	42ft (12.8m) / N/A	N/A / N/A	53ft (6m)	3 SDCM	2238 ± 102K	N/A	N/A	69lm/ft (225lm/m)	SF16E0012WE22K24DC6P
2700K	33 LEDs/ft (108 LEDs/m)	42ft (12.8m) / N/A	N/A / N/A	53ft (6m)	3 SDCM	2725 ± 145K	N/A	N/A	85lm/ft (280lm/m)	SF16E0012WE27K24DC6P
3000K	33 LEDs/ft (108 LEDs/m)	42ft (12.8m) / N/A	N/A / N/A	53ft (6m)	3 SDCM	3045 ± 175K	N/A	N/A	85lm/ft (280lm/m)	SF16E0012WE30K24DC6P
3500K	33 LEDs/ft (108 LEDs/m)	42ft (12.8m) / N/A	N/A / N/A	53ft (6m)	3 SDCM	3465 ± 245K	N/A	N/A	88lm/ft (290lm/m)	SF16E0012WE35K24DC6P
4000K	33 LEDs/ft (108 LEDs/m)	42ft (12.8m) / N/A	N/A / N/A	53ft (6m)	3 SDCM	3985 ± 275K	N/A	N/A	88lm/ft (290lm/m)	SF16E0012WE40K24DC6P
5700K	33 LEDs/ft (108 LEDs/m)	42ft (12.8m) / N/A	N/A / N/A	53ft (6m)	3 SDCM	5669 ± 355K	N/A	N/A	88lm/ft (290lm/m)	SF16E0012WE57K24DC6P

FIXTURE SPECIFICATIONS & OPTICAL PARAMETERS - WHITE JACKET + DIFFUSED LENS - TOP BEND - 9W/M

COLOR	LED COUNT	1 CONNECTOR FULL/DYNAMIC*	2 CONNECTORS FULL/DYNAMIC**	UL CLASS 2 MAX RUN***	FIXTURE COLOR TOLERANCE****	WAVELENGTH/ CCT	LED CRI	LED COLOR TOLERANCE	LUMEN COUNT	LEGACY ORDER CODE
2200K	33 LEDs/ft (108 LEDs/m)	28ft (8.53m) / N/A	N/A / N/A	35ft (11m)	3 SDCM	2238 ± 102K	N/A	N/A	104lm/ft (340lm/m)	SF16E0012WE22K24DC9P
2700K	33 LEDs/ft (108 LEDs/m)	28ft (8.53m) / N/A	N/A / N/A	35ft (11m)	3 SDCM	2725 ± 145K	N/A	N/A	128lm/ft (420lm/m)	SF16E0012WE27K24DC9P
3000K	33 LEDs/ft (108 LEDs/m)	28ft (8.53m) / N/A	N/A / N/A	35ft (11m)	3 SDCM	3045 ± 175K	N/A	N/A	128lm/ft (420lm/m)	SF16E0012WE30K24DC9P
3500K	33 LEDs/ft (108 LEDs/m)	28ft (8.53m) / N/A	N/A / N/A	35ft (11m)	3 SDCM	3465 ± 245K	N/A	N/A	134lm/ft (440lm/m)	SF16E0012WE35K24DC9P
4000K	33 LEDs/ft (108 LEDs/m)	28ft (8.53m) / N/A	N/A / N/A	35ft (11m)	3 SDCM	3985 ± 275K	N/A	N/A	134lm/ft (440lm/m)	SF16E0012WE40K24DC9P
5700K	33 LEDs/ft (108 LEDs/m)	28ft (8.53m) / N/A	N/A / N/A	35ft (11m)	3 SDCM	5669 ± 355K	N/A	N/A	134lm/ft (440lm/m)	SF16E0012WE57K24DC9P

*Run length is based on a static full load. **As per CLASS 2 power supply standards, the maximum allowable fixture power is limited to a single 100W supply. Double Feeding is Prohibited. ***For UL Class 2 calculations, GLLS uses a maximum output of 96 W / 96 VA for 24 V circuits, unless otherwise confirmed by the listed driver. All runs are assumed to be single-feed from one Class 2 output. Dual-feeding from separate drivers does not qualify as Class 2 unless the run is electrically split into isolated sections. ****Silicone products maintain ≤3 SDCM within a single production run and <5 SDCM between production runs.



AQUA NEON WAVE: SILICONE - 24V

Submersible Pool Rated Linear Flex Profile - Static Whites & Colors



B

LED COLORS



FIXTURE SPECIFICATIONS & OPTICAL PARAMETERS - WHITE JACKET + DIFFUSED LENS - TOP BEND - 12W/M

COLOR	LED COUNT	1 CONNECTOR FULL/DYNAMIC*	2 CONNECTORS FULL/DYNAMIC**	UL CLASS 2 MAX RUN***	FIXTURE COLOR TOLERANCE****	WAVELENGTH/ CCT	LED CRI	LED COLOR TOLERANCE	LUMEN COUNT	LEGACY ORDER CODE
2500K	33 LEDs/ft (108 LEDs/m)	21.0ft (6.4m) / N/A	N/A / N/A	26ft (8m)	3 SDCM	2460 ± 120K	N/A	N/A	128lm/ft (420lm/m)	SF16E0012WN25K24PO
2700K	33 LEDs/ft (108 LEDs/m)	21.0ft (6.4m) / N/A	N/A / N/A	26ft (8m)	3 SDCM	2725 ± 145K	N/A	N/A	137lm/ft (450lm/m)	SF16E0012WN27K24PO
3000K	33 LEDs/ft (108 LEDs/m)	21.0ft (6.4m) / N/A	N/A / N/A	26ft (8m)	3 SDCM	3045 ± 175K	N/A	N/A	137lm/ft (450lm/m)	SF16E0012WN30K24PO
3500K	33 LEDs/ft (108 LEDs/m)	21.0ft (6.4m) / N/A	N/A / N/A	26ft (8m)	3 SDCM	3465 ± 245K	N/A	N/A	137lm/ft (450lm/m)	SF16E0012WN35K24PO
4000K	33 LEDs/ft (108 LEDs/m)	21.0ft (6.4m) / N/A	N/A / N/A	26ft (8m)	3 SDCM	3985 ± 275K	N/A	N/A	137lm/ft (450lm/m)	SF16E0012WN40K24PO
4500K	33 LEDs/ft (108 LEDs/m)	21.0ft (6.4m) / N/A	N/A / N/A	26ft (8m)	3 SDCM	4503 ± 243K	N/A	N/A	137lm/ft (450lm/m)	SF16E0012WN45K24PO
5000K	33 LEDs/ft (108 LEDs/m)	21.0ft (6.4m) / N/A	N/A / N/A	26ft (8m)	3 SDCM	5029 ± 283K	N/A	N/A	137lm/ft (450lm/m)	SF16E0012WN50K24PO
5700K	33 LEDs/ft (108 LEDs/m)	21.0ft (6.4m) / N/A	N/A / N/A	26ft (8m)	3 SDCM	5669 ± 355K	N/A	N/A	137lm/ft (450lm/m)	SF16E0012WN57K24PO

FIXTURE SPECIFICATIONS & OPTICAL PARAMETERS - WHITE JACKET + DIFFUSED LENS - TOP BEND - 15W/M

COLOR	LED COUNT	1 CONNECTOR FULL/DYNAMIC*	2 CONNECTORS FULL/DYNAMIC**	UL CLASS 2 MAX RUN***	FIXTURE COLOR TOLERANCE****	WAVELENGTH/ CCT	LED CRI	LED COLOR TOLERANCE	LUMEN COUNT	LEGACY ORDER CODE
2200K	33 LEDs/ft (108 LEDs/m)	16.8ft (5.12m) / N/A	N/A / N/A	26ft (8m)	3 SDCM	2238 ± 102K	N/A	N/A	183lm/ft (600lm/m)	SH16E0012WE22K24DCPO
2700K	33 LEDs/ft (108 LEDs/m)	16.8ft (5.12m) / N/A	N/A / N/A	26ft (8m)	3 SDCM	2725 ± 145K	N/A	N/A	213.4lm/ft (700lm/m)	SH16E0012WE27K24DCPO
3000K	33 LEDs/ft (108 LEDs/m)	16.8ft (5.12m) / N/A	N/A / N/A	26ft (8m)	3 SDCM	3045 ± 175K	N/A	N/A	213.4lm/ft (700lm/m)	SH16E0012WE30K24DCPO
3500K	33 LEDs/ft (108 LEDs/m)	16.8ft (5.12m) / N/A	N/A / N/A	26ft (8m)	3 SDCM	3465 ± 245K	N/A	N/A	244lm/ft (800lm/m)	SH16E0012WE35K24DCPO
4000K	33 LEDs/ft (108 LEDs/m)	16.8ft (5.12m) / N/A	N/A / N/A	26ft (8m)	3 SDCM	3985 ± 275K	N/A	N/A	244lm/ft (800lm/m)	SH16E0012WE40K24DCPO
5700K	33 LEDs/ft (108 LEDs/m)	16.8ft (5.12m) / N/A	N/A / N/A	26ft (8m)	3 SDCM	5669 ± 355K	N/A	N/A	244lm/ft (800lm/m)	SH16E0012WE57K24DCPO

*Run length is based on a static full load. **As per CLASS 2 power supply standards, the maximum allowable fixture power is limited to a single 100W supply. Double Feeding is Prohibited. ***For UL Class 2 calculations, GLLS uses a maximum output of 96 W / 96 VA for 24 V circuits, unless otherwise confirmed by the listed driver. All runs are assumed to be single-feed from one Class 2 output. Dual-feeding from separate drivers does not qualify as Class 2 unless the run is electrically split into isolated sections. ****Silicone products maintain ≤3 SDCM within a single production run and <5 SDCM between production runs.



GLLS.COM | 1-888-580-6366

GLLS reserves the right to make any design changes for continuous improvement which will not affect the overall appearance or performance. REV. 20260624

AQUA NEON WAVE: SILICONE - 24V

Submersible Pool Rated Linear Flex Profile - Static Whites & Colors



C

POWER & VOLTAGE

COLOR	VOLTAGE + CIRCUIT TYPE*	POWER CONSUMPTION	COLOR	VOLTAGE + CIRCUIT TYPE*	POWER CONSUMPTION
RED		2.43W/ft (8W/m)	2200K		
GREEN		3.66W/ft (12W/m)	2700K		
BLUE		3.66W/ft (12W/m)	3000K		
AMBER		2.43W/ft (8W/m)	3500K		1.82W/ft (6W/m)
2200K			4000K		
2500K			5700K		
2700K	24V DC CR		2200K		
3000K			2700K		
3500K		3.66W/ft (12W/m)	3000K	24V DC CR	2.74W/ft (9W/m)
4000K			3500K		
4500K			4000K		
5000K			5700K		
5700K			2200K		
			2700K		
			3000K		
			3500K		4.57W/ft (15W/m)
			4000K		
			5700K		

*The Current Regulated (CR) Integrated Circuit extends max run length. Do not use a CC or CR power supply, as it may cause damage.

D

CUTTING INSTRUCTIONS

COLOR	ORDER UNIT (CUTTING UNIT)
RED	3.28in (83.3mm)
GREEN	2.19in (55.6mm)
BLUE	2.19in (55.6mm)
AMBER	3.28in (83.3mm)
2200K	
2500K	
2700K	
3000K	
3500K	2.19in (55.6mm)
4000K	
4500K	
5000K	
5700K	



AQUA NEON WAVE: SILICONE - 24V

Submersible Pool Rated Linear Flex Profile - Static Whites & Colors



E

COMPATIBLE CONNECTORS

INPUT - 01

PROFILE	BEND	WIRING	INPUT CONNECTOR TYPE	INPUT ORIENTATION + TYPE	INPUT CABLE LENGTH (LEAD WIRE)
---------	------	--------	----------------------	--------------------------	--------------------------------

OUTPUT - 02

PROFILE	BEND	WIRING	OUTPUT CONNECTOR TYPE	OUTPUT ORIENTATION + TYPE	OUTPUT CABLE LENGTH (LEAD WIRE)
F = Wave	1 = Side 2 = Top 4 = N/A (End Cap)	1 = 2 Wire (Static/Dim to Warm) 0 = N/A (End Cap)	4 = Silicone Submersible	A = End Exit B = Bottom Exit C = Side Left Exit D = Side Right Exit I = End Cap	4 = 16ft (5m) 5 = 32.81ft (10m) 8 = N/A

LEGACY CONNECTOR ORDER CODE

XX	16E	X	00	XX	XX	X	XX	XXX	X
PRODUCT TYPE	PROFILE	BENDING	LIGHT EMITTING	FUNCTIONALITY	CONNECTOR TYPE	FIXTURE END	EXIT TYPE	LENGTH	
FA = Factory Accessories	16E = Wave	1 = Side 2 = Top	00 = 16E	2W = Static/DTW 0W = For End Cap	PO = Submersible	1 = Input Side 2 = Output Side 0 = Jumpers/T-feeds/ Seamless Bottom/ Seamless End 3 = Input/Output	EN = End BO = Bottom SL = Side Left SR = Side Right EC = End Cap	05M = 16ft (5m) 10M = 32.81ft (10m) 000 = For End Cap	P = Power or For End Cap S = Signal & Power



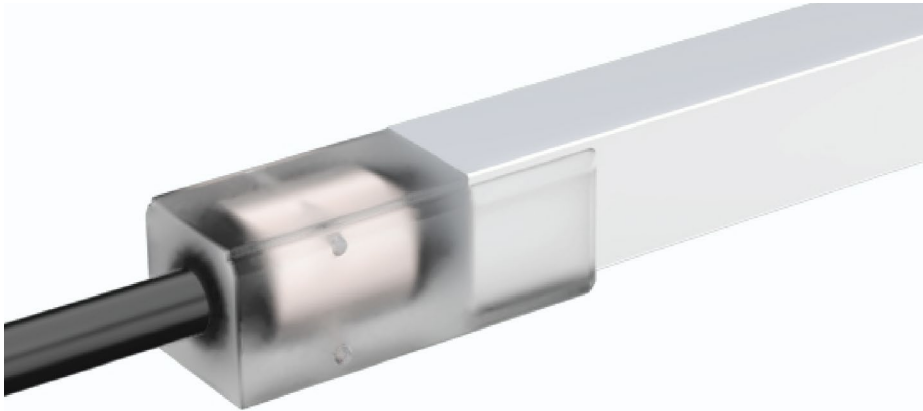
AQUA NEON WAVE: SILICONE - 24V

Submersible Pool Rated Linear Flex Profile - Static Whites & Colors



E

SILICONE SUBMERSIBLE CONNECTOR

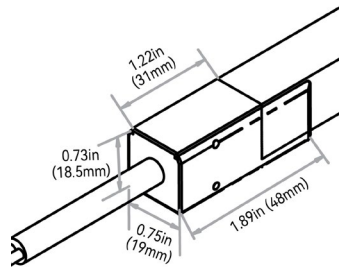
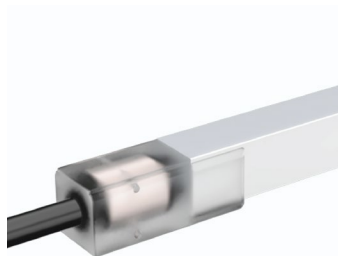


NOTES:

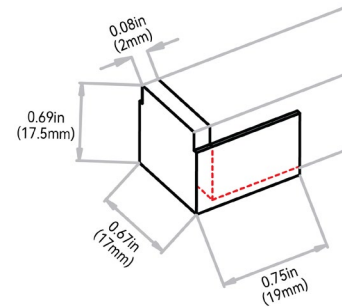
1. Connector Tolerance ± 0.02 in (0.5mm)
2. Cable diameter: Static, Tunable White & SPI Silicone = 0.26in (6.5mm)
3. Do not apply force to the feed cable
4. Ensure Max. Cable Lengths are followed according to wire gage to avoid voltage drop
5. Silicone Submersible UL676 Connectors - Top bending fixture not available for Tunable White

IP68; extremely durable, underwater, UL676 rated. Recommended for; long-term submersed in wet environments up to the depth of 16.40ft (5m) (water is skin safe for extended periods); high temperature and humidity environments (mounting surface temperature $< 140^{\circ}\text{F}$ (60°C)); custom predetermined lengths and larger connector; harsh working conditions & increased handling forces during installation. Custom factory assembly.

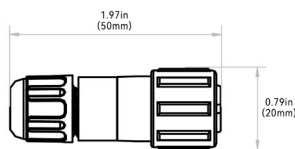
END EXIT: F#14A#



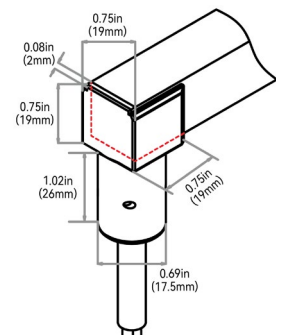
END CAP: F404I8



SCREW LOCK CONNECTOR ACCESSORY - IP67



BOTTOM EXIT: F#14B#



NOTE: The tolerance is ± 0.08 in (2mm).



AQUA NEON WAVE: SILICONE - 24V

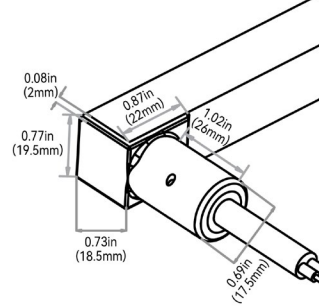
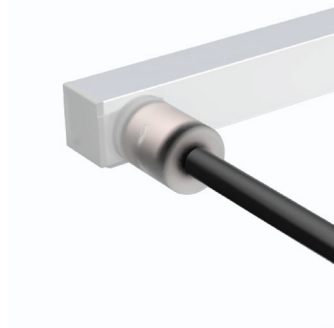
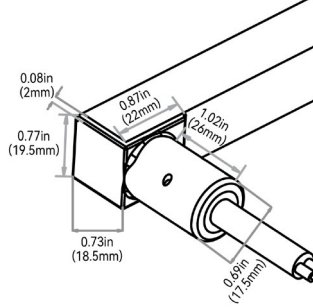
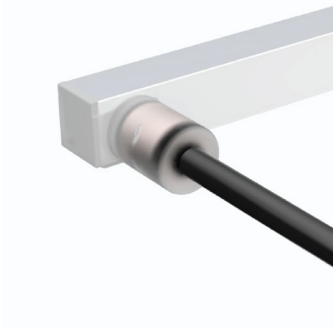
Submersible Pool Rated Linear Flex Profile - Static Whites & Colors



E

SIDE LEFT EXIT: F#14C#

SIDE RIGHT EXIT: F#14D#



AQUA NEON WAVE: SILICONE - 24V

Submersible Pool Rated Linear Flex Profile - Static Whites & Colors



F

MOUNTING PROFILES

MOUNTING PROFILE TYPE	STANDARD LENGTH	PROFILE	COLOR	BEND
P1 = Plastic Reinforced	2 = 1.38in (35mm) 3 = 19.68in (500mm) 5 = 39.37in (1000mm) 6 = 78.74in (2000mm)		1 = Standard	
C1 = Silicone Flexible	F = 2.16in (55mm) B = 4.33in (110mm) C = 7.87in (200mm) 3 = 19.68in (500mm) 5 = 39.37in (1000mm)	F = Wave	2 = Black 3 = White 0 = Custom	4 = N/A



AQUA NEON WAVE: SILICONE - 24V

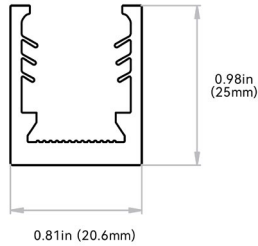
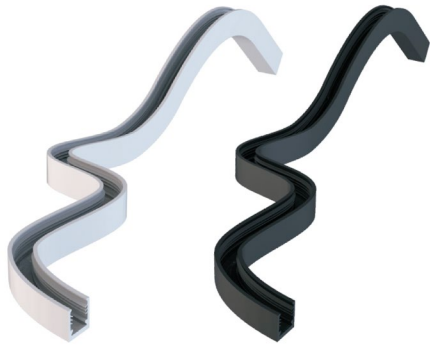
Submersible Pool Rated Linear Flex Profile - Static Whites & Colors



F

SILICONE PROFILE - FLEXIBLE

An all-in-one mounting profile designed to unleash your creativity. This profile not only provides flexibility in installation methods, but also overcomes bending limitations by offering both top and side bending in a single profile. Fully encapsulated in UL-certified silicone, it excels in UV, weather, and corrosion resistance, making it suitable for underwater, high and low temperature environments. Elegant and square in appearance, it is available in black or white standard colors, or bespoke colors to blend in with the background. Supported by innovative serrated silicone fins, its clamping strength is strong enough to secure any installation method. Please refer to install manual for proper installation practices. Side and top bending. Please refer to install manual for proper installation practices.



Tolerance: ± 0.01in (0.3mm)



APPLICABLE AUXILIARY MATERIALS



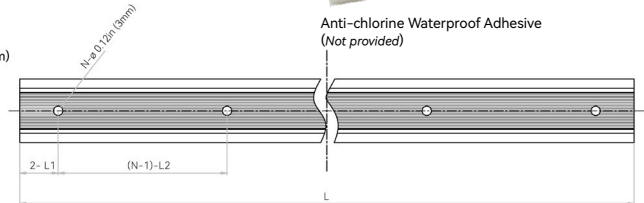
Rubber Expansion Anchor



M3 Stainless Steel Self-tapping Screw



Anti-chlorine Waterproof Adhesive (Not provided)

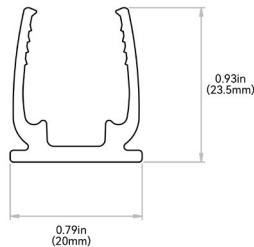


NOTES: 1. 2-L1 refers to two of symmetric L1 in each piece of profile.
2. (N-1)-L2 refers to (N minus one) of symmetric L2 in each piece of profile.
"N" hereby stands for its corresponding "Hole Number" in the below table

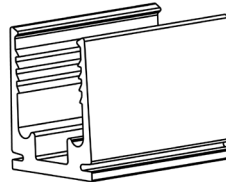
ORDER CODE	LEGACY ORDER CODE: WHITE	LEGACY ORDER CODE: BLACK	STANDARD LENGTH	L1	L2	SLOTTED HOLE	HOLE #
C1FF#4	CH16FAN5C5SEW	CH16FAN5C5SEB	2.16in (55mm)	0.49in (12.5mm)	1.18in (30mm)	Ø 0.12in (3mm)	2
C1BF#4	CH16FAN1C1SEW	CH16FAN1C1SEB	4.33in (110mm)	0.46in (11.6mm)	3.48in (88.4mm)	Ø 0.12in (3mm)	2
C1CF#4	CH16FAN0M2SEW	CH16FAN0M2SEB	7.87in (200mm)	0.46in (11.6mm)	3.48in (88.4mm)	Ø 0.12in (3mm)	3
C13F#4	CH16FAN0M5SEW	CH16FAN0M5SEB	19.68in (500mm)	1.14in (29mm)	3.48in (88.4mm)	Ø 0.12in (3mm)	6
C15F#4	CH16FAN01MSEW	CH16FAN01MSEB	39.37in (1000mm)	0.54in (13.8mm)	3.48in (88.4mm)	Ø 0.12in (3mm)	12

PLASTIC PROFILE - REINFORCED

High Quality rigid plastic designed to securely hold fixtures. Recommended for use in extreme environments susceptible to increased water/humidity (SPA's and pools). Please refer to install manual for proper installation practices.



Tolerance: ± 0.02in (0.5mm)



APPLICABLE AUXILIARY MATERIALS



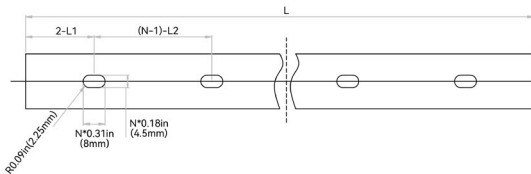
Rubber Expansion Anchor



M3 Stainless Steel Self-tapping Screw



Anti-chlorine Waterproof Adhesive (Not provided)



NOTES: 1. 2-L1 refers to two of symmetric L1 in each piece of profile.
2. (N-1)-L2 refers to (N minus one) of symmetric L2 in each piece of profile.
"N" hereby stands for its corresponding "Hole Number" in the below table

ORDER CODE	LEGACY ORDER CODE	STANDARD LENGTH	L1	L2	SLOTTED HOLE	HOLE #
P12F14	CL16RTP3C5SD	1.38in (35mm)	0.69in (17.5mm)	N/A	0.18" x 0.31in (4.5" x 8mm)	1
P13F14	CH16RTP0M5SD	19.68in (500mm)	1.97in (50mm)	7.87in (200mm)	0.18" x 0.31in (4.5" x 8mm)	3
P15F14	CH16RTP01MSD	39.37in (1000mm)	3.93in (100mm)	7.87in (200mm)	0.18" x 0.31in (4.5" x 8mm)	5
P16F14	CH16RTP02MSD	78.74in (2000mm)	3.93in (100mm)	7.87in (200mm)	0.18" x 0.31in (4.5" x 8mm)	10

