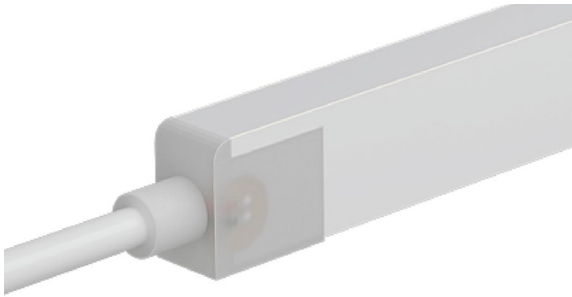


# S160

## Silicone Seamless



IP68; seamless; precise low profile dimension; high grade quality silicone & anti-wicking ferrule. Recommended for; wet environments; custom predetermined lengths; high/ low temperatures; increased humidity; direct UV exposure; harsh working conditions & increased handling forces during installation. Precision milling and special glue Silicone liquid injection-moulded workmanship enables an almost consistent size between connectors and lightbody, and the transparent terminal of the connector allows the seamless effects spliced end by end. DryWire technology applied on the cable eliminates the capillary phenomenon through wires, which secured the long-term reliability in outdoor or any wet environments. Custom factory assembly.



**NOTES:**

1. Connector Tolerance  $\pm 0.02$ in (0.5mm)
2. Cable diameter: Static, Tunable, RGB, RGBW & SPI Silicone = 0.26in (6.5mm) & DMX Silicone = 0.27in (6.8mm)
3. Do not apply force to the feed cable
4. Ensure Max. Cable Lengths are followed according to wire gage to avoid voltage drop

**ORDER CODE**

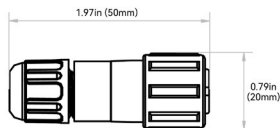
**INPUT - 01**

PROFILE	BEND	WIRING	INPUT CONNECTOR TYPE	INPUT ORIENTATION + TYPE	INPUT CABLE LENGTH (LEAD WIRE)
---------	------	--------	----------------------	--------------------------	--------------------------------

**OUTPUT - 02**

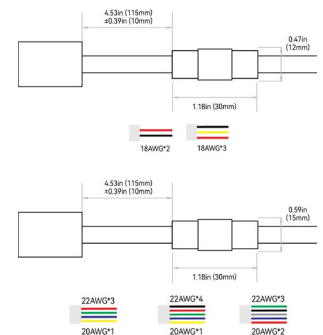
PROFILE	BEND	WIRING	OUTPUT CONNECTOR TYPE	OUTPUT ORIENTATION + TYPE	OUTPUT CABLE LENGTH (LEAD WIRE)
C = S160	1 = Side 4 = N/A (End Cap)	1 = 2 Wire (Static/Dim To Warm) 2 = 3 Wire (Tunable White PWM/SPI-Pixel) 3 = 3 Wire (SPI-Pixel Power Feed) 4 = 4 Wire (RGB PWM) 5 = 5 Wire (RGBW PWM) 6 = 5 Wire (Direct DMX-PIXEL) 0 = N/A (End Cap)	2 = Silicone Seamless	A = End Exit B = Bottom Exit C = Side Left Exit D = Side Right Exit E = End Jumper H = Power T-Feed I = End Cap	1 = 0.98ft (0.3m) 2 = 3.28ft (1m) 3 = 9.84ft (3m) 4 = 16ft (5m) 5 = 32.81ft (10m) 6 = 49.21ft (15m) 7 = 65.62ft (20m) 8 = N/A

**SCREW LOCK CONNECTOR ACCESSORY - IP67**



NOTE: The tolerance is  $\pm 0.08$ in (2mm).

**ANTI-WICKING FERRULE:**



**NOTES:**

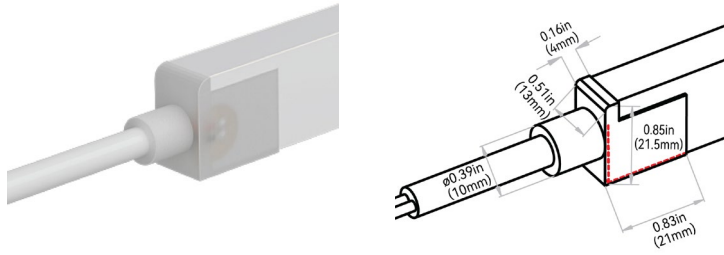
1. The anti-wicking ferrule is located at 4.53in (115mm) ( $\pm 0.39$ in [ $\pm 10$ mm] tolerance) from the connector on the cable. For protection against water ingress.
2. The removal of anti-wicking ferrule will void the warranty if any water ingress caused by it.

# S160

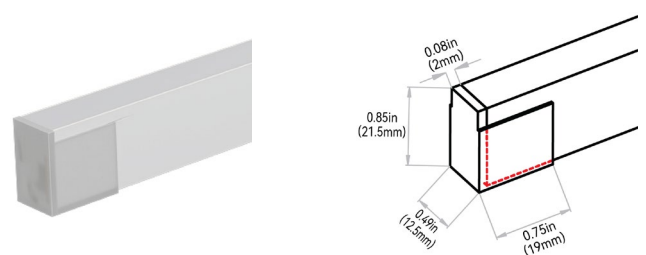
## Silicone Seamless



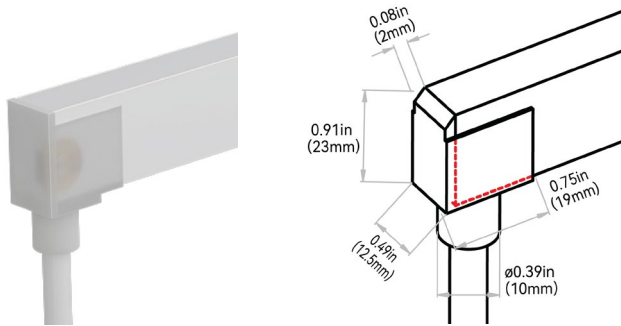
END EXIT: C1#2A#



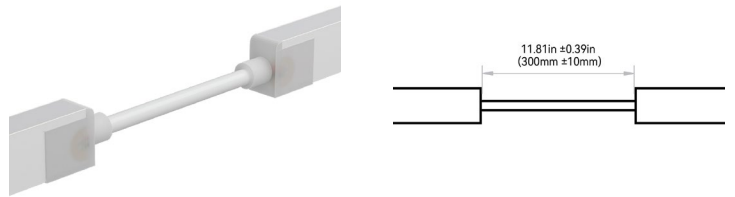
END CAP: C10218



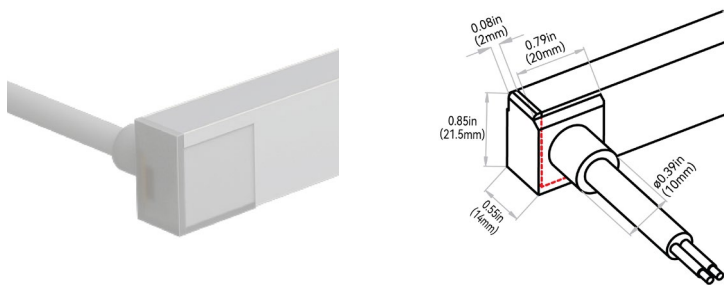
BOTTOM EXIT: C1#2B#



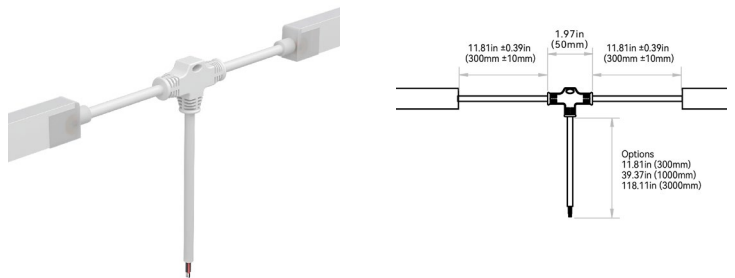
END JUMPER: C1#2E1



SIDE LEFT EXIT: C1#2C#



POWER T-FEED: C1#2H#



SIDE RIGHT EXIT: C1#2D#

