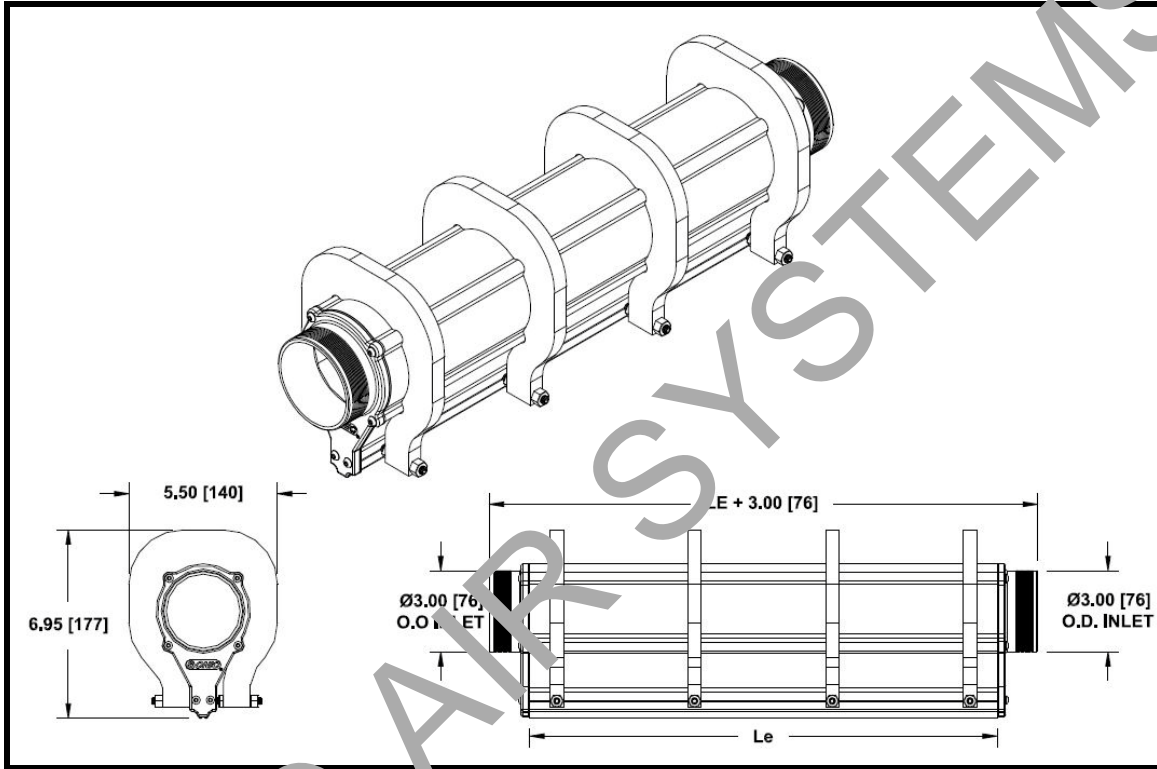
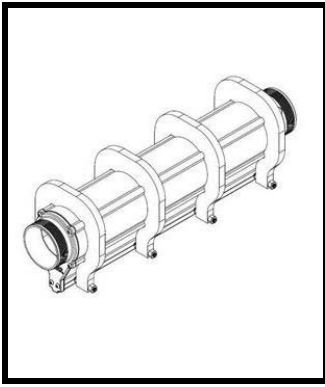


Product Specification Sheet

**3" XE COATING CONTROL  
AIR KNIFE**



Dimensions in brackets ( ) are in millimeters

<b>Description</b>	Air Knife-3" XE %%%"LG Coating Control
<b>Sonic Part Number</b>	13510-%%( <sup>1</sup> )
<b>Maximum Custom Slot Length (L<sub>e</sub>)</b>	196.0 in (4,880mm)
<b>Air Flow Rate</b>	3.5 cfm/in (65.0 lps/m) to 16.9 cfm/in (314.0 lps/m)
<b>Maximum Air Discharge Velocity</b>	38,000 fpm (11,580 mpm)
<b>Temperature Range</b>	-40°F (-40°C) to 275°F (135°C)
<b>Material</b>	6063-T6 Aluminum Air Knife, Steel Clamp
<b>Finish</b>	Hard Anodize Air Knife, Zinc Plated Clamp
<b>Approximate Weight</b>	2.75 lbs/ft +2.4 lbs/clamp (4.1 kg/m + 1.1 kg/clamp)

<sup>(1)</sup>%% denotes effective slot length in inches