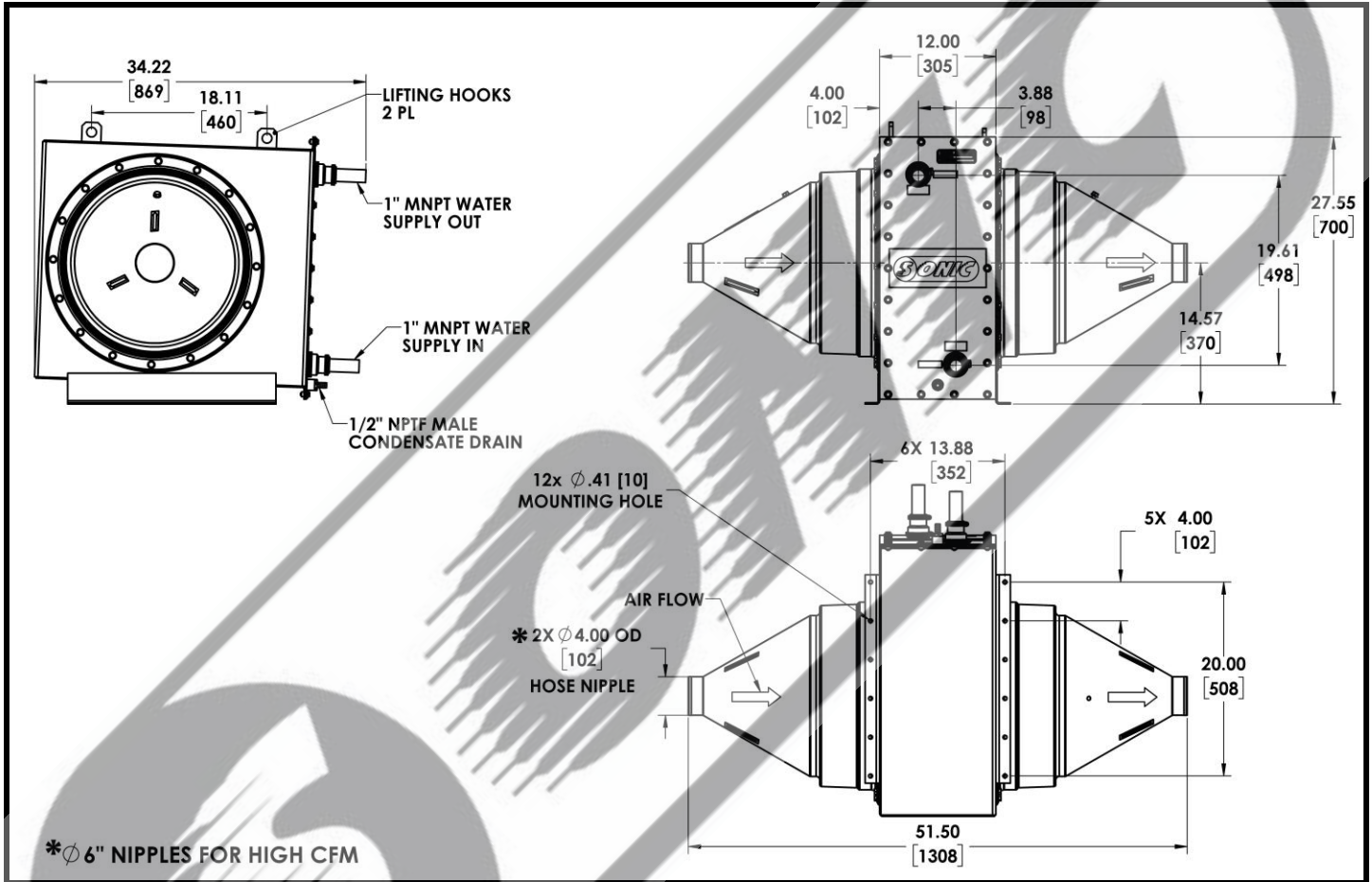




Product Specification Sheet

SONIC COOL-AIR™ (IN-LINE BLOWER AFTER COOLER)



Dimensions in Inches, [] are in millimeters

Sonic Part Number	P/N:19859	P/N:20344	P/N:20679
Description	4" Inlet/Outlet	4" Inlet/Outlet	6" Inlet/Outlet
Max. Air Flow + Pressure	100-400CFM (2.83-11.32m3 /min)	400-700 CFM (11.32-19.82m3 /min)	750-1200 CFM (21.23-34m3 /min)
Max. Air Blower Pressure	4.2 PSIG (28.9 KPa)		
Discharge Air Temp.	Approximated 10°F (5.6°C) above chilled/ cooling tower water/glycol temperature		
Water or Glycol Flow + Pressure	Consult Sonic Air Systems by Application		
Coil Construction	Aluminum Fins / Copper Manifold, SS Pipe, 1" MNPT Pipe Threads, Stainless Steel Frame		
Housing Construction	300 Series SS Case & Hard Anodized Aluminum Cones		
Weight (Approx.)	219 lbs. (99 kg)		
Optional	External Insulation, Ferrule Connectors, Nickel Plated Cones		