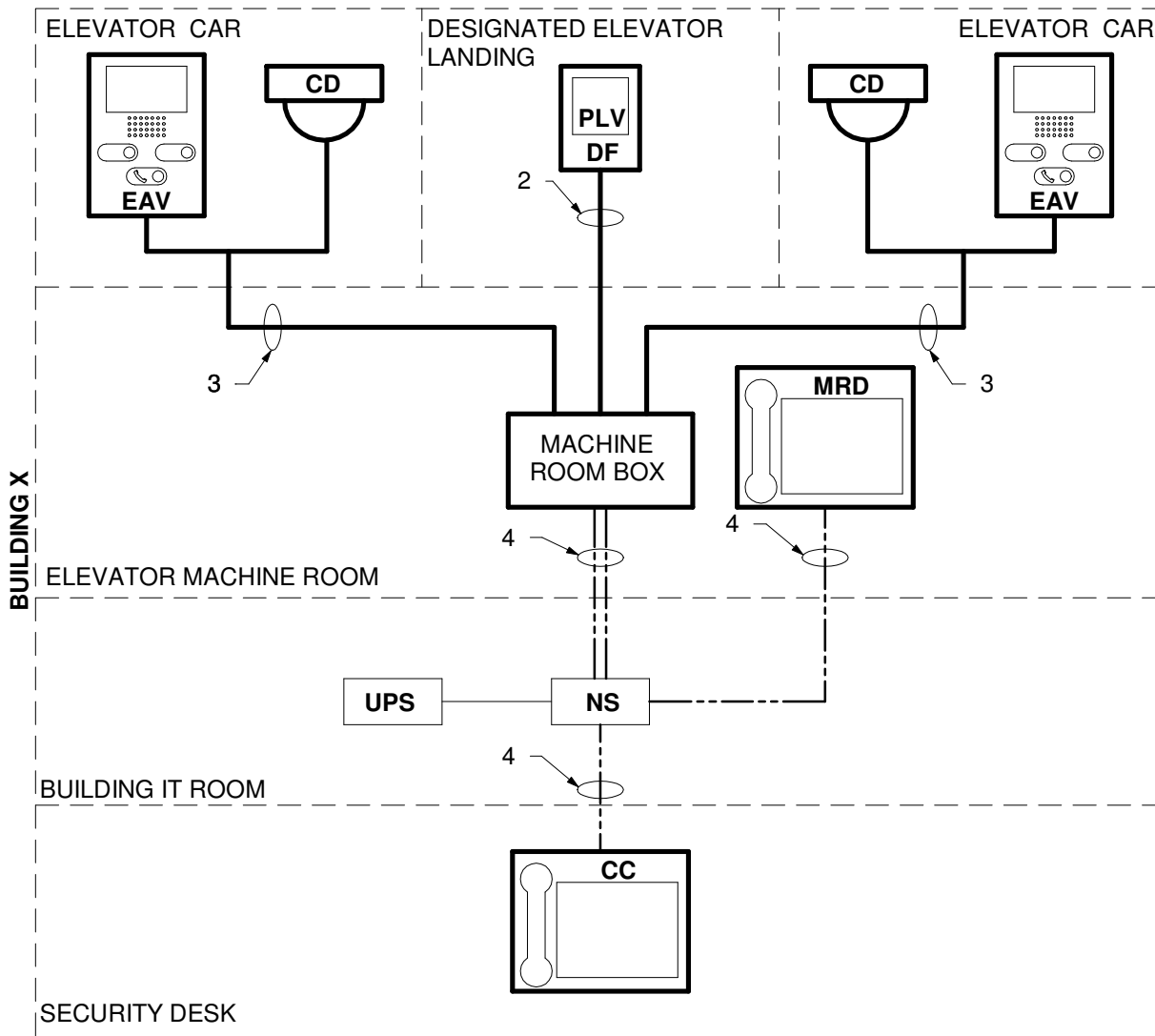


**TYPICAL SINGLE ELEVATOR CONFIGURATION**

DATED: 6/15/2026



**TWO-WAY COMMUNICATION DIAGRAM LEGEND & KEYNOTES**

1. 120 VOLT POWER CONNECTION.
  2. ELEVATOR HOISTWAY WIREWAY: 22 GAUGE TWISTED SHIELD PAIR.
  3. ELEVATOR TRAVELING CABLE:
    - A. (1) 18 GAUGE TWISTED SHIELDED PAIR (CD)
    - B. (1) 18 GAUGE TWISTED SHIELDED PAIR (EAV)
    - C. (1) 18 GAUGE TWISTED SHIELDED PAIR (PLV)
  4. CAT 6 CABLE
- **CC** = COMMAND CENTER
  - **CD** = CAMERA DEVICE
  - **DF** = DESIGNATED FIXTURE
  - **EAV** = ELEVATOR AUDIO-VISUAL-TEXT SIP PHONE
  - **MRD** = MACHINE ROOM DEVICE
  - **NS** = NETWORK SWITCH
  - **PLV** = PHONE LINE VERIFICATION (COMMUNICATION FAILURE)
  - **UPS** = UNINTERRUPTIBLE POWER SUPPLY
  - **—————** = ELEVATOR CONTRACT WORK
  - **-----** = ELECTRICAL CONTRACT WORK
  - **—————** = EXISTING EQUIPMENT

**NOTES:**

- A. COORDINATE ALL WIRING AND EQUIPMENT REQUIREMENTS WITH MANUFACTURER AND PROVIDE EQUIVALENT WIRING AS REQUIRED.
- B. ALL ACCESSORIES FOR A COMPLETE SYSTEM, INCLUDING BUT NOT LIMITED TO NETWORK SWITCHES, EXTENDERS, AND ANCILLARY COMPONENTS AS NEEDED PER MANUFACTURER'S REQUIREMENTS.
- C. THE CC + MRD WILL USE REAL TIME STREAMING PROTOCOL (RTSP) TO SHOW THE CAMERA FOOTAGE FROM THE CD.
- D. BASIS OF DESIGN - LIFT COMMUNICATIONS ON-PREMISES EE2CS
  - a. EAV: LC-EAV-Series
  - b. CD: Axis (Q9216-SLV/ Panasonic (WV-S35302-F2L) or Approved Equal
  - c. MRD: LC1300-EMR
  - d. CC: LC1300-LOBBY

Wiring Diagram:

